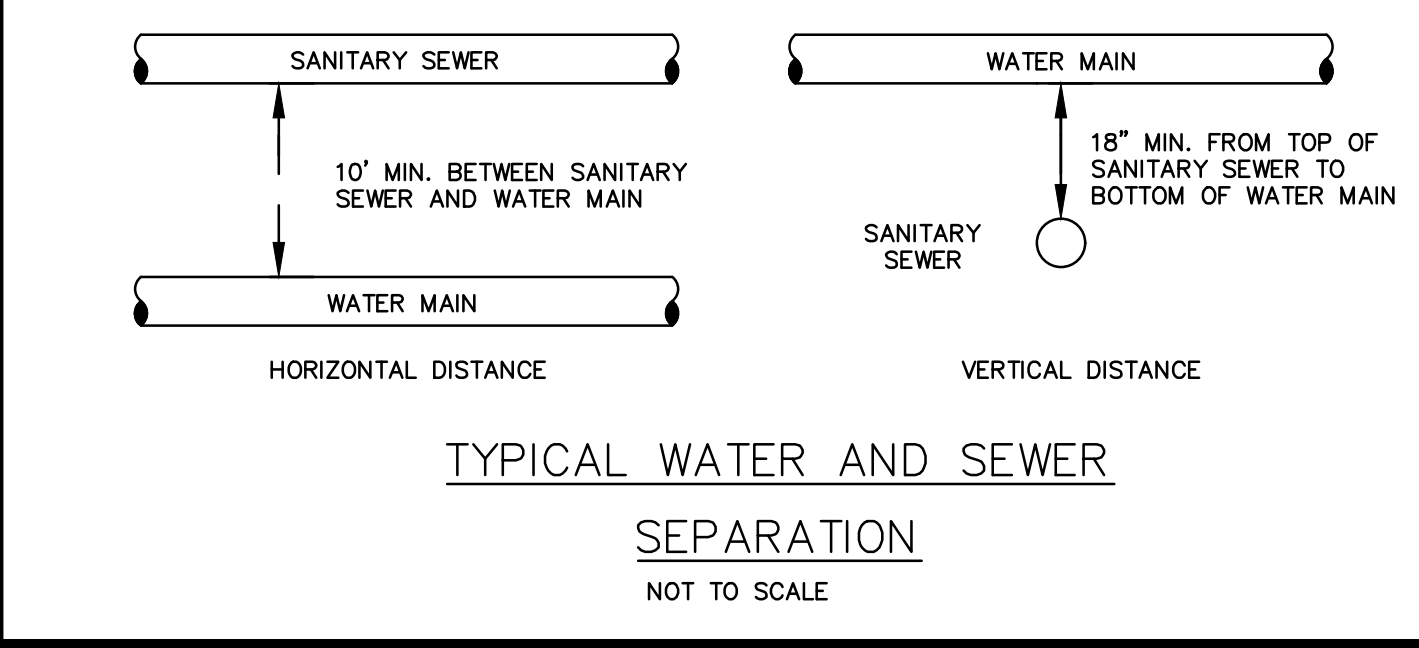
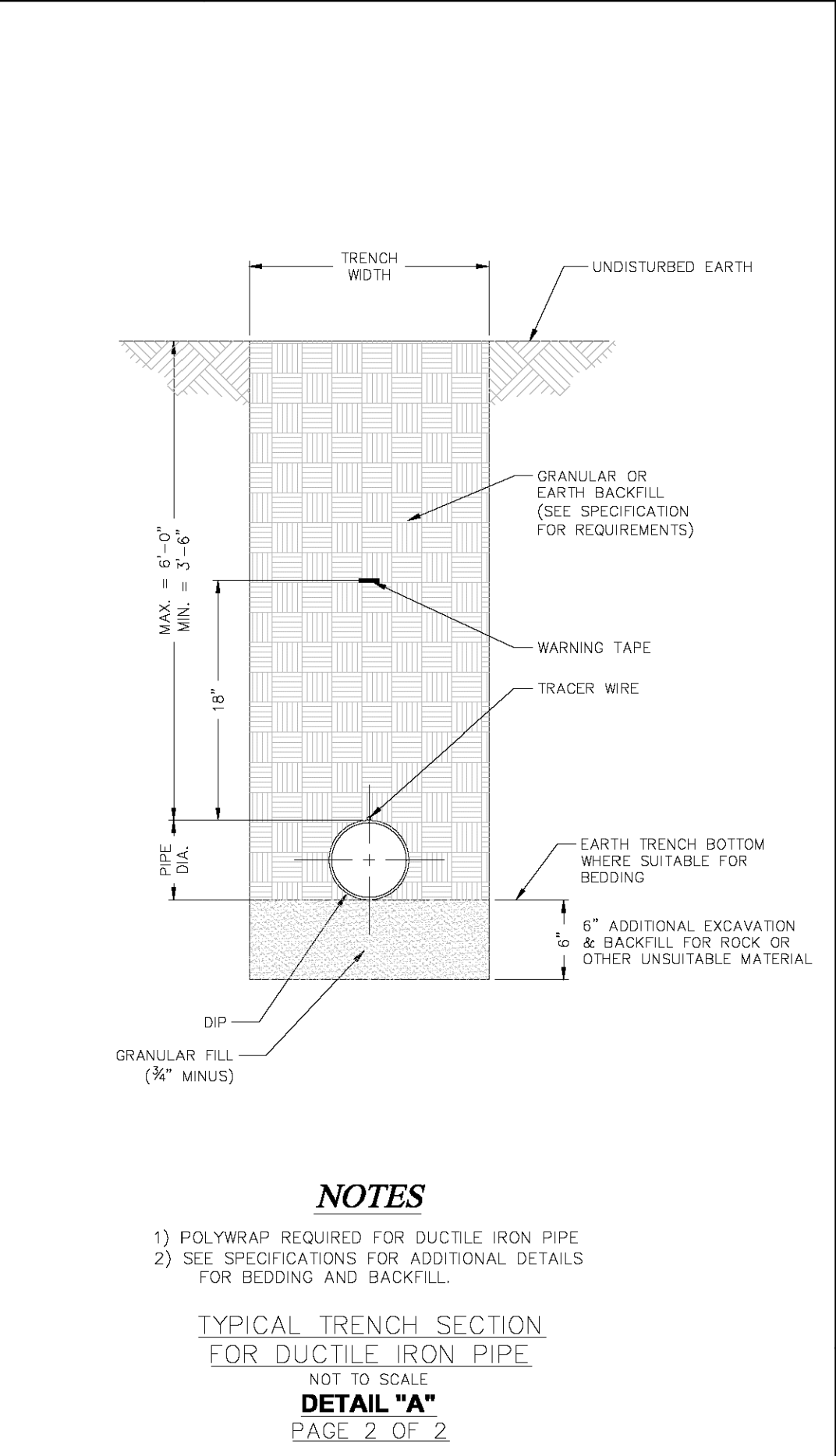
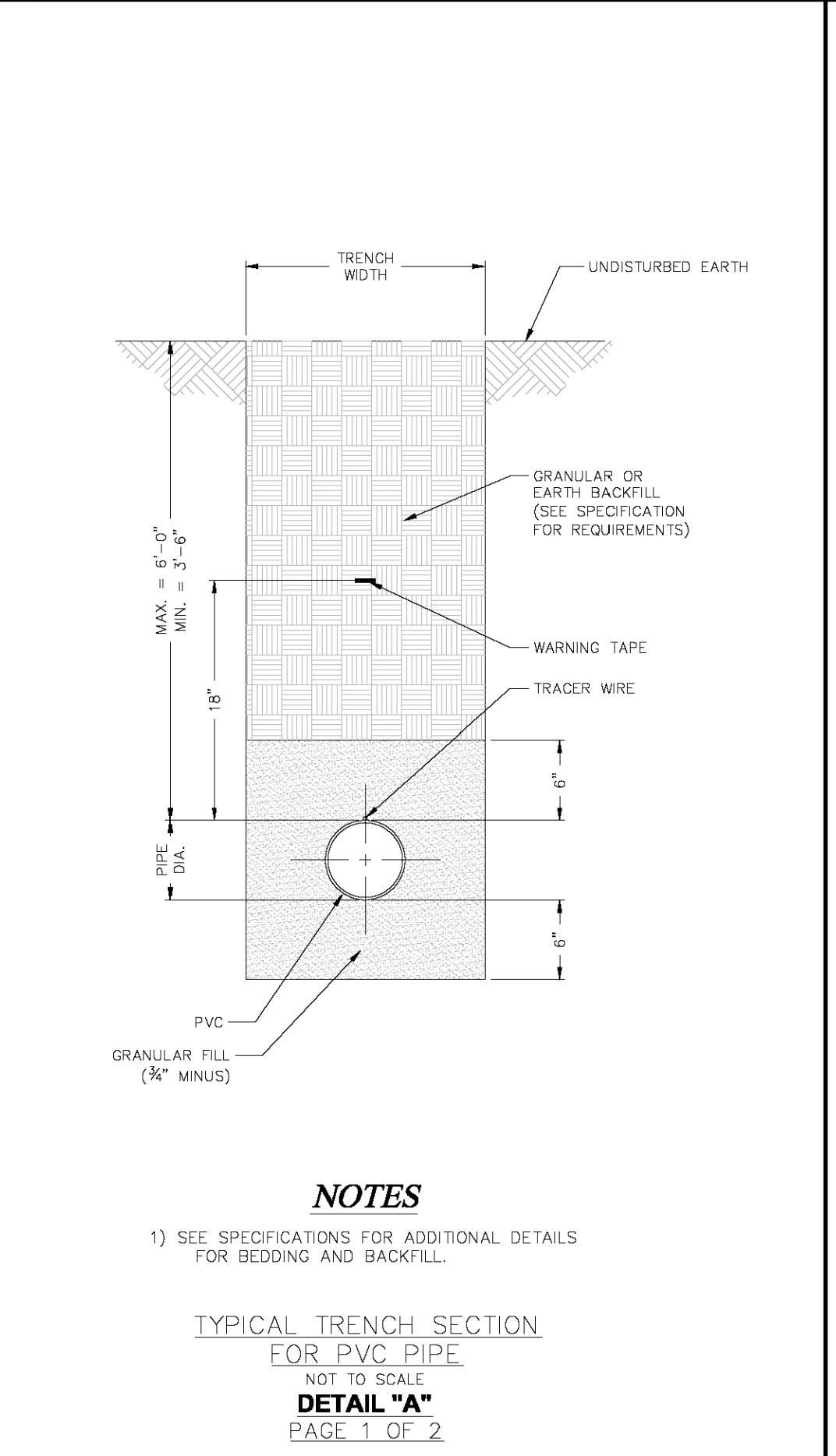
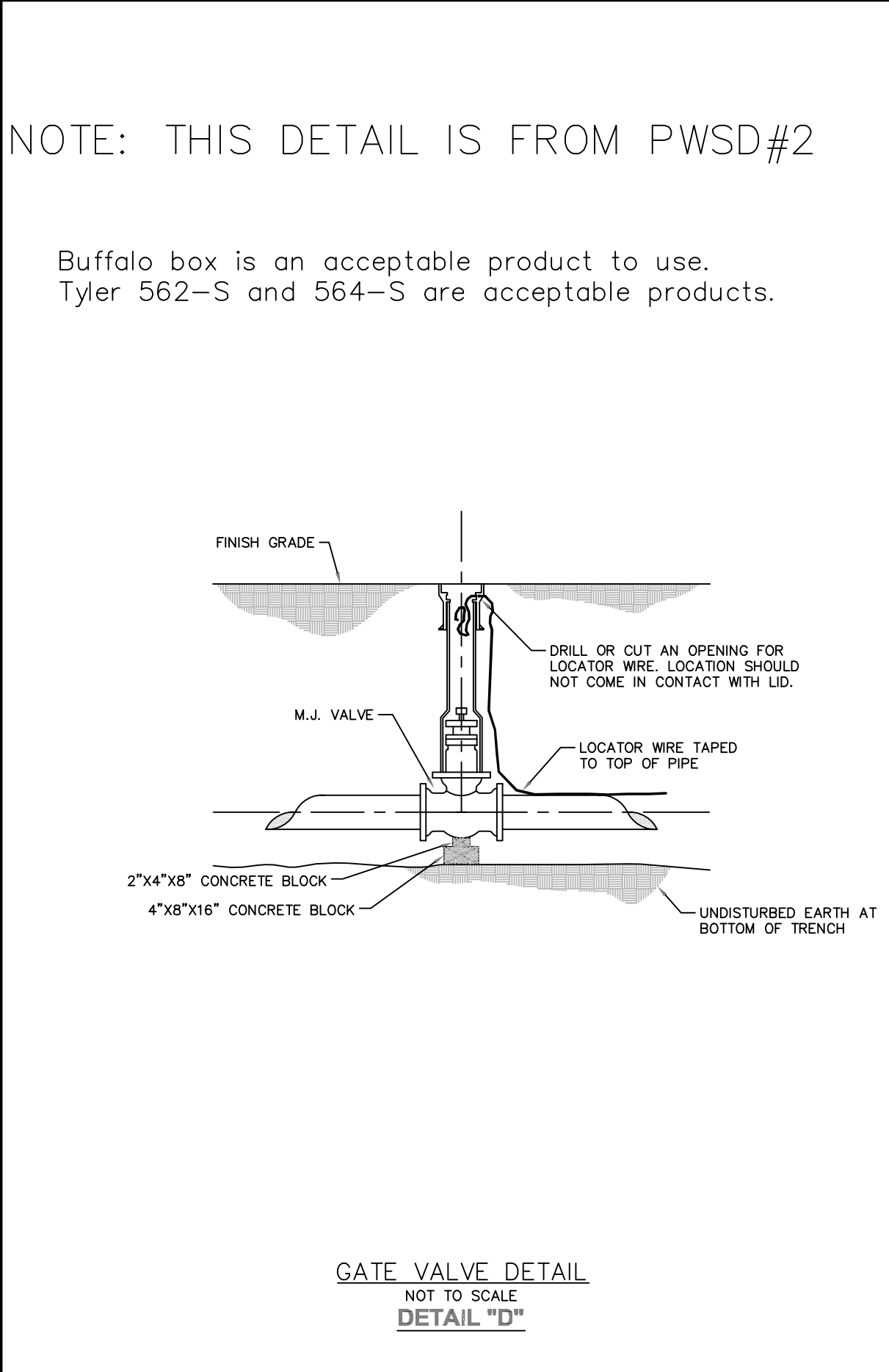
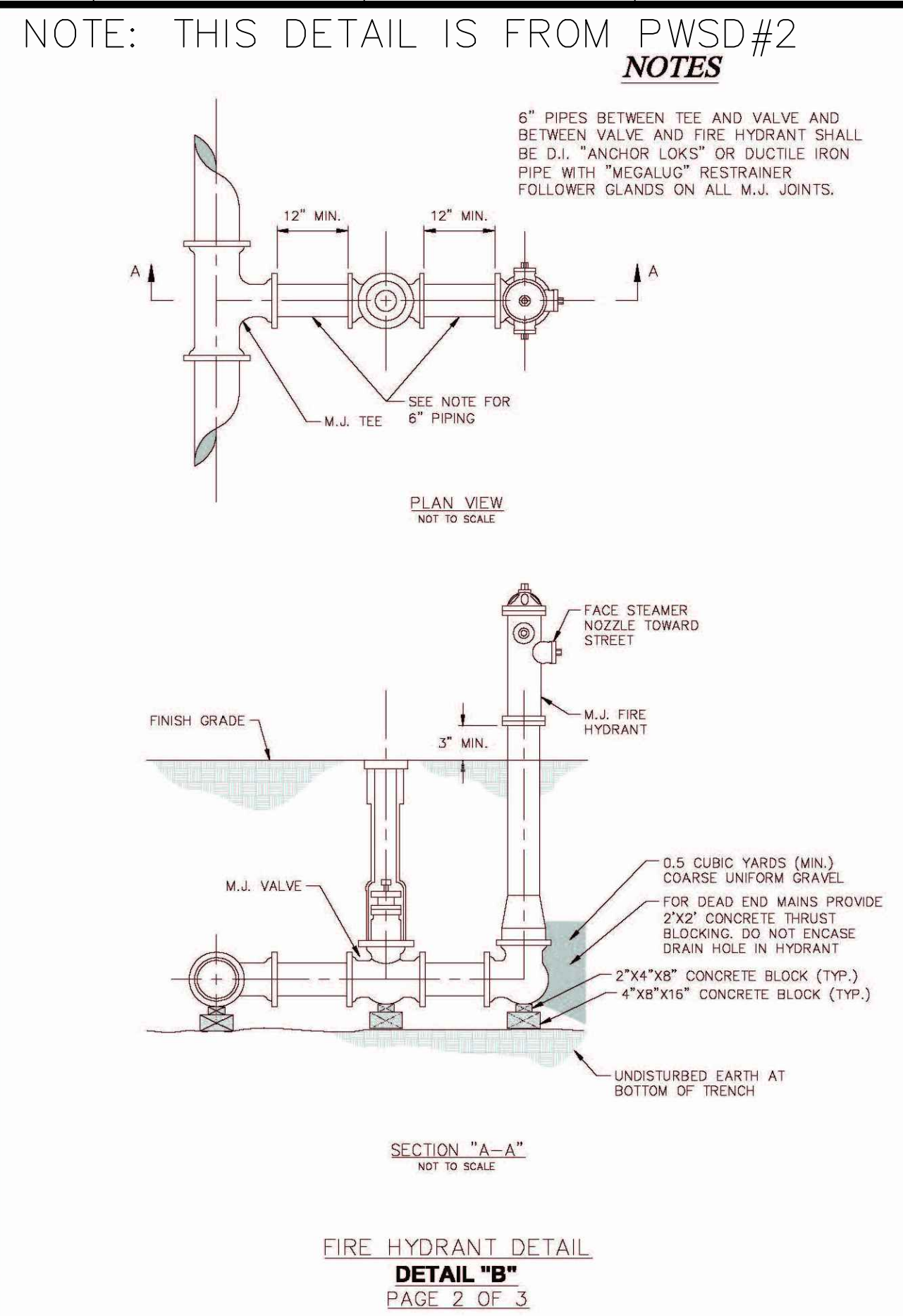
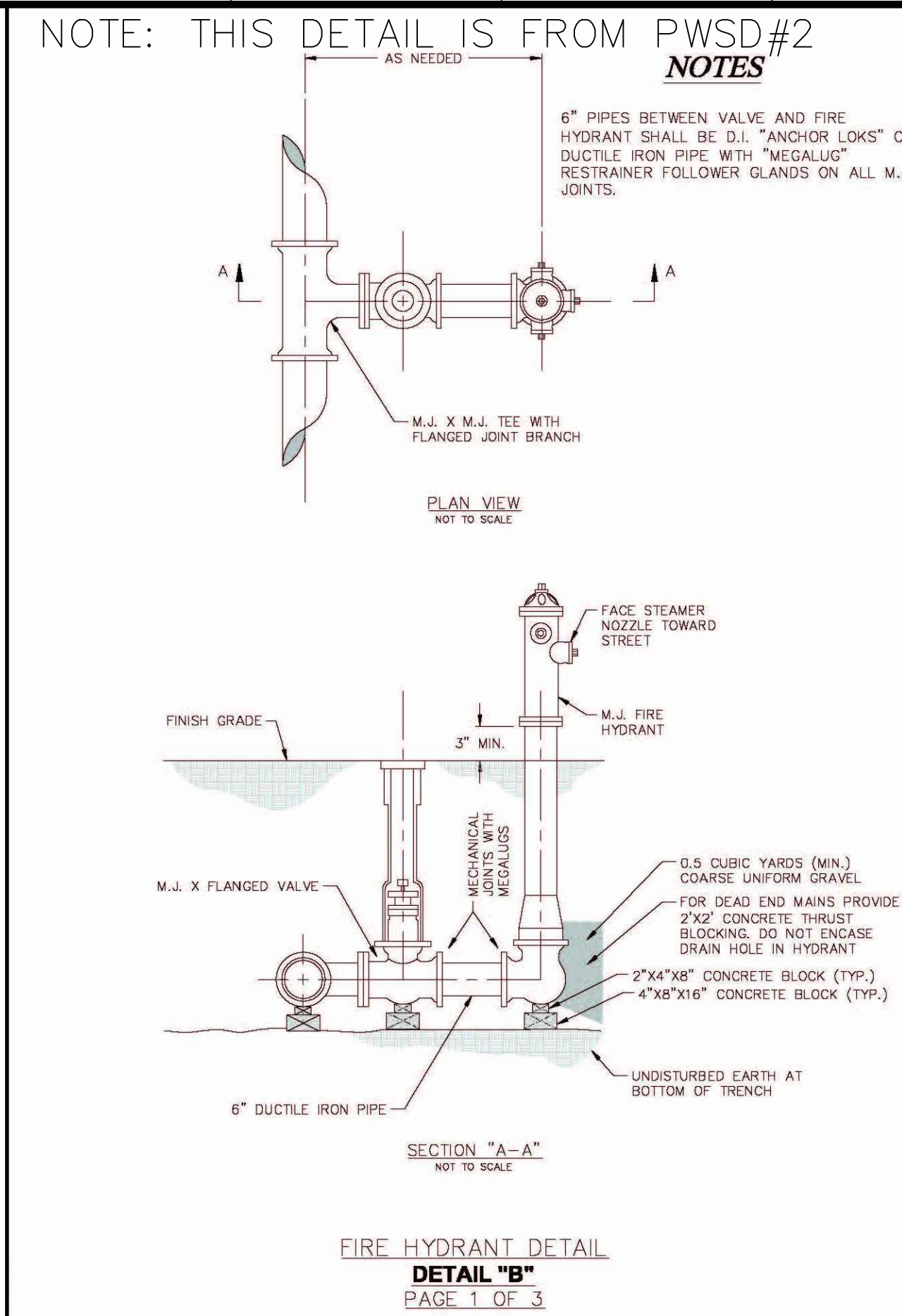
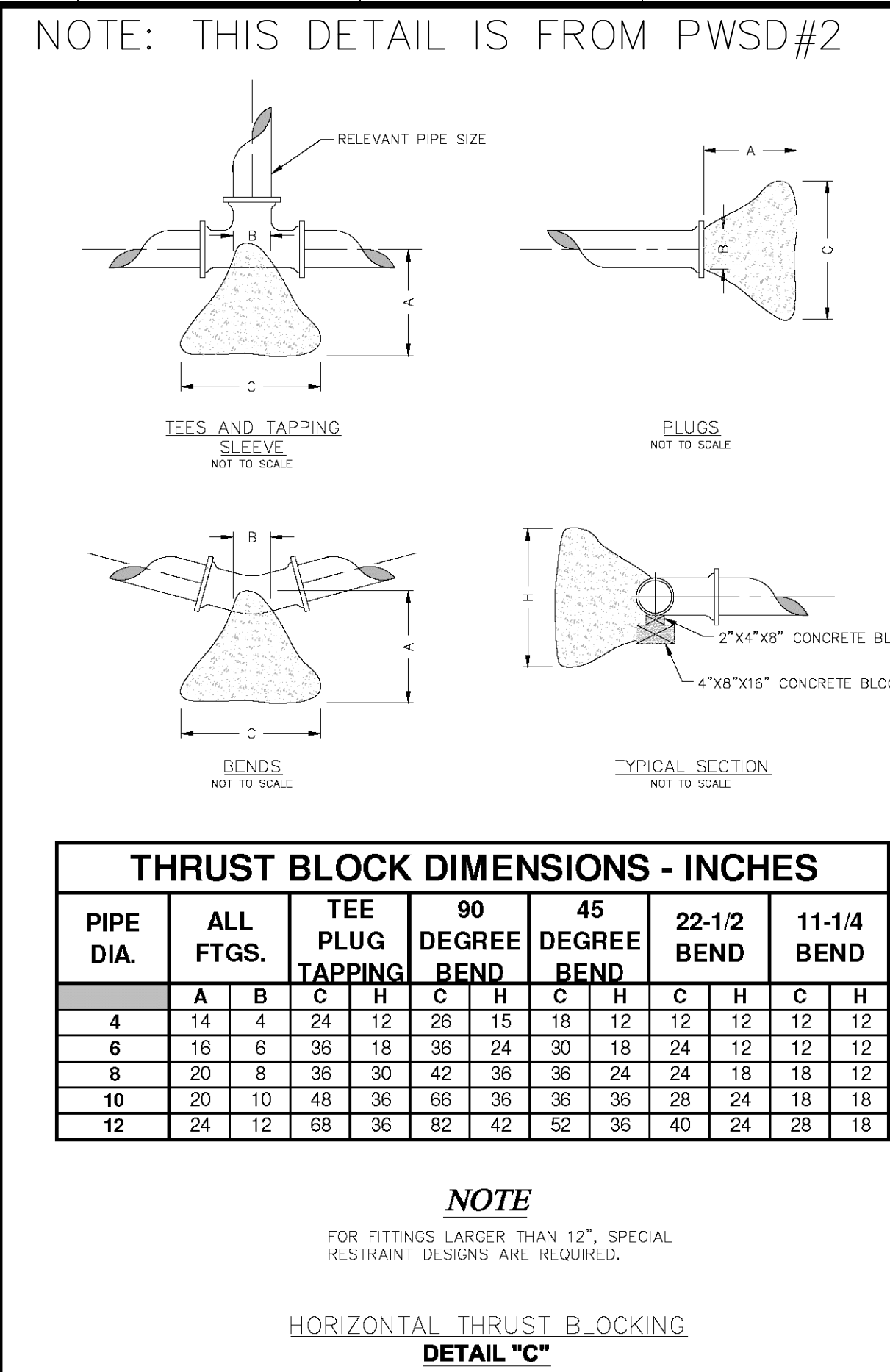
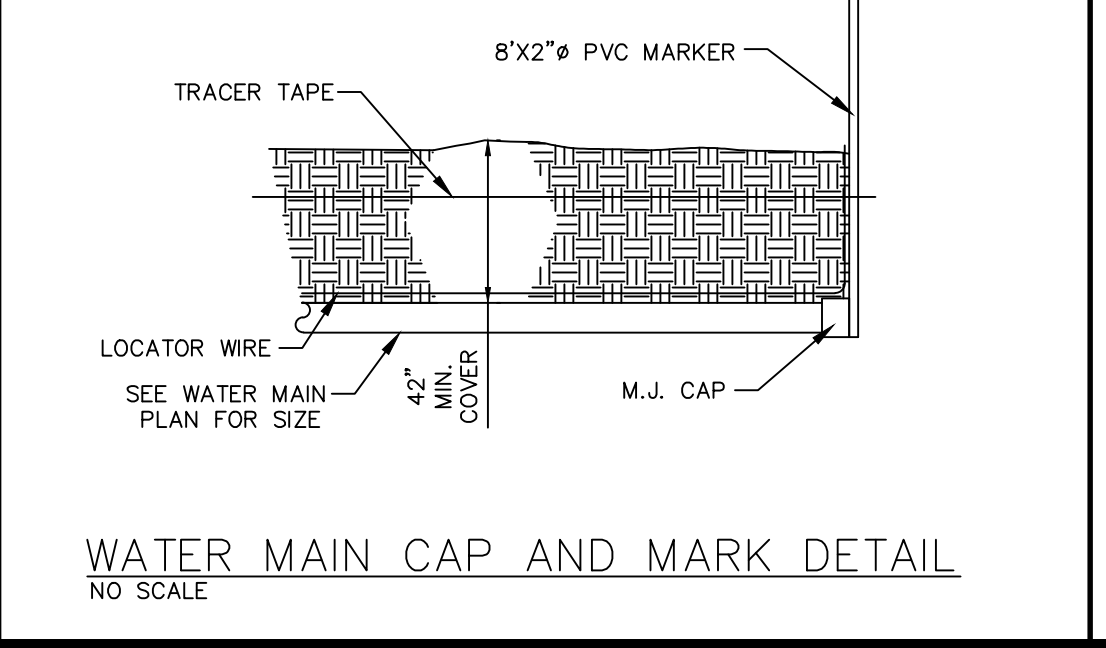


DWG NAME: F:\22-9120 - Professional Design Services for the SSM Medical Building in O'Fallon, MO\AutoCAD Drawings\9120 - Plan Sheets\14 - DETAIL SHEET.dwg LAYOUT TAB: D5 - PLOTTED ON: Oct 20, 2022 - 12:28pm PLOTTED BY: teshowe



Ductile Iron Pipe installation shall follow the Ductile Iron Research Association (DIPRA) guide line.  
The Installation of PVC Pipe shall follow the Uni-Bell PVC Pipe Association Handbook of PVC Design and Construction.

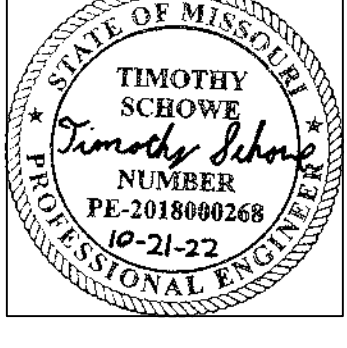


636-594-0540 (tel.)  
636-594-0512 (fax)  
mail@ochran.com  
630A E. Independence Dr.  
Union, Missouri 63084

**OCCHRAN**  
Civil Engineering  
Land Surveying  
Architecture  
Site Development  
General Consulting  
Master Planning

Missouri State Certificate of Authority Numbers:  
Survey: 000380  
Engineering: 001655  
Architecture: 2002014240

Three working days prior to the start of any excavation call 1-800-910-8175 for utility location information.  
All OSHA rules & regulations and state and local codes and regulations required by these plans shall be strictly followed (i.e. trenching, blasting, etc.)



SITE IMPROVEMENTS  
SSM HEALTH  
O'FALLON, MISSOURI

DATE	BY	APP'D BY
	JMM	ERR
DATE:	OCT. 21, 2022	
SCALE:	NO SCALE	
PROJ. NO.:	22-9120	
DWG. NO.:	D5	