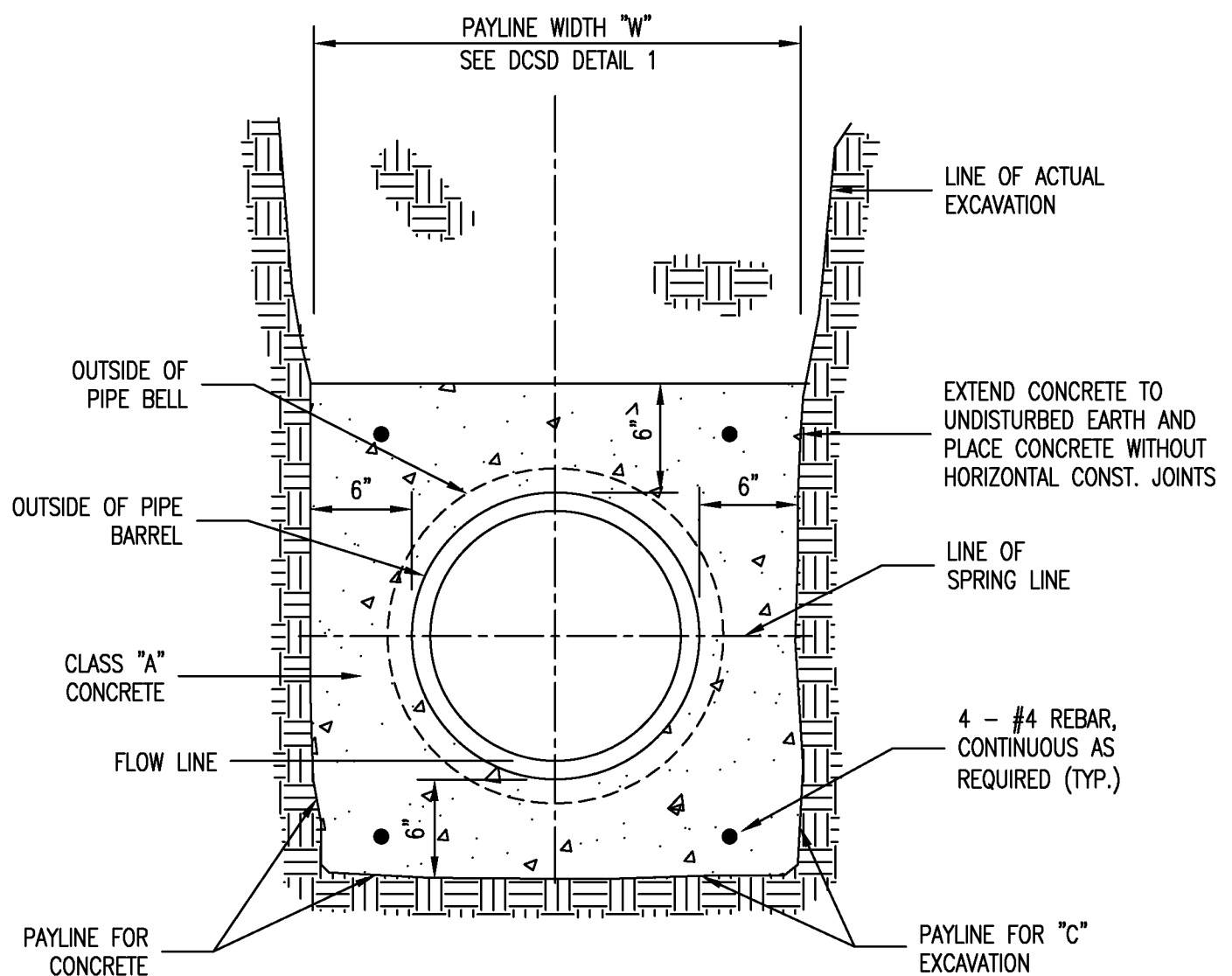


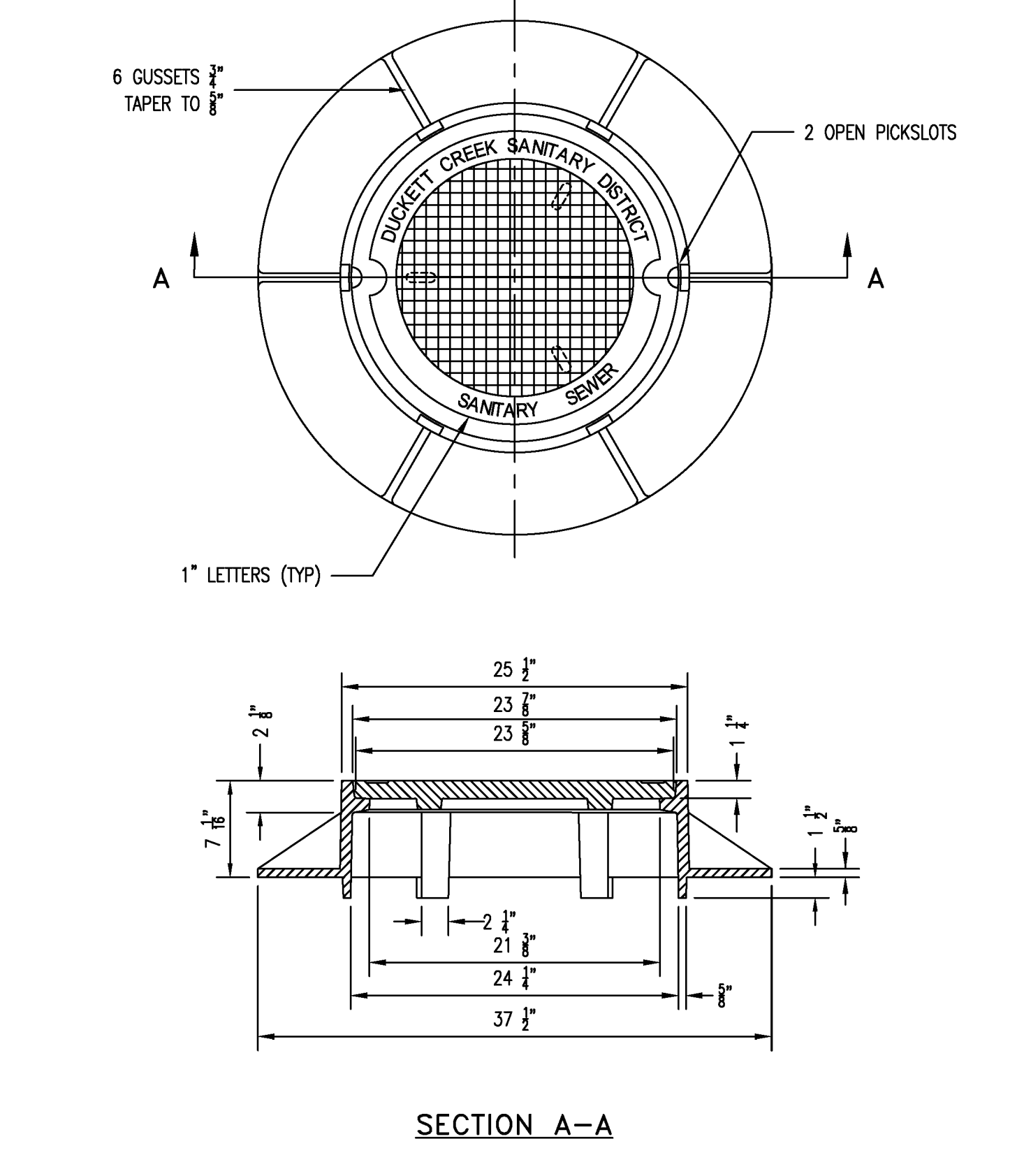
NOTES:
 ALL PVC SANITARY SEWER PIPE SHALL CONFORM TO THE REQUIREMENTS OF ASTM D-3034 STANDARD SPECIFICATION FOR POLYVINYL CHLORIDE SEWER PIPE, SDR-35 OR EQUAL, WITH "CLEAN" 1/2 INCH TO 1 INCH GRANULAR STONE BEDDING UNIFORMLY GRADED. THIS BEDDING SHALL EXTEND FROM 4 INCHES BELOW THE PIPE TO SPRINGLINE OF PIPE. IMMEDIATE BACKFILL OVER PIPE SHALL CONSIST OF SAME SIZE "CLEAN" OR "MINUS" STONE FROM SPRINGLINE OF PIPE TO 6 INCHES ABOVE THE TOP OF PIPE. FINAL BACKFILL MATERIAL SHALL BE OF SUITABLE MATERIAL REMOVED FROM EXCAVATION EXCEPT AS OTHER MATERIAL IS SPECIFIED. DEBRIS, FROZEN MATERIAL, LARGE ROCKS OR STONES, OR OTHER UNSTABLE MATERIALS SHALL NOT BE USED WITHIN 2 FEET FROM TOP OF PIPE.



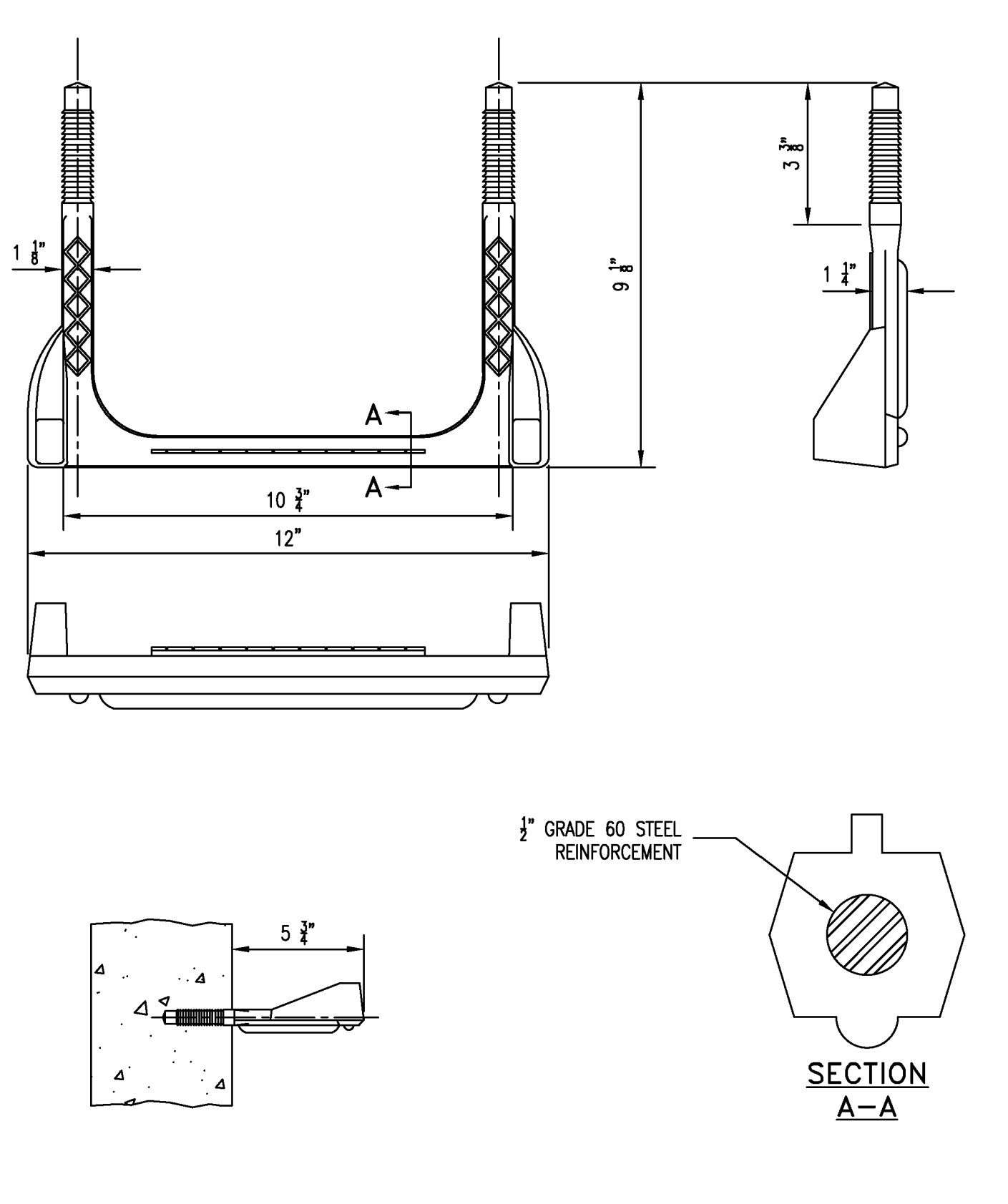
NOTE:
 SUPPORT PIPE TO PREVENT DISPLACEMENT DURING PLACEMENT OF CONCRETE.

Duckett Creek Sanitary District
 PIPE BEDDING CLASS "C" (FOR ALL EXCEPT REINFORCED CONCRETE PIPE)
 Dwn By: BSM App By: KA Detail No. 3
 Ckd By: MDOB Date: JULY 2016

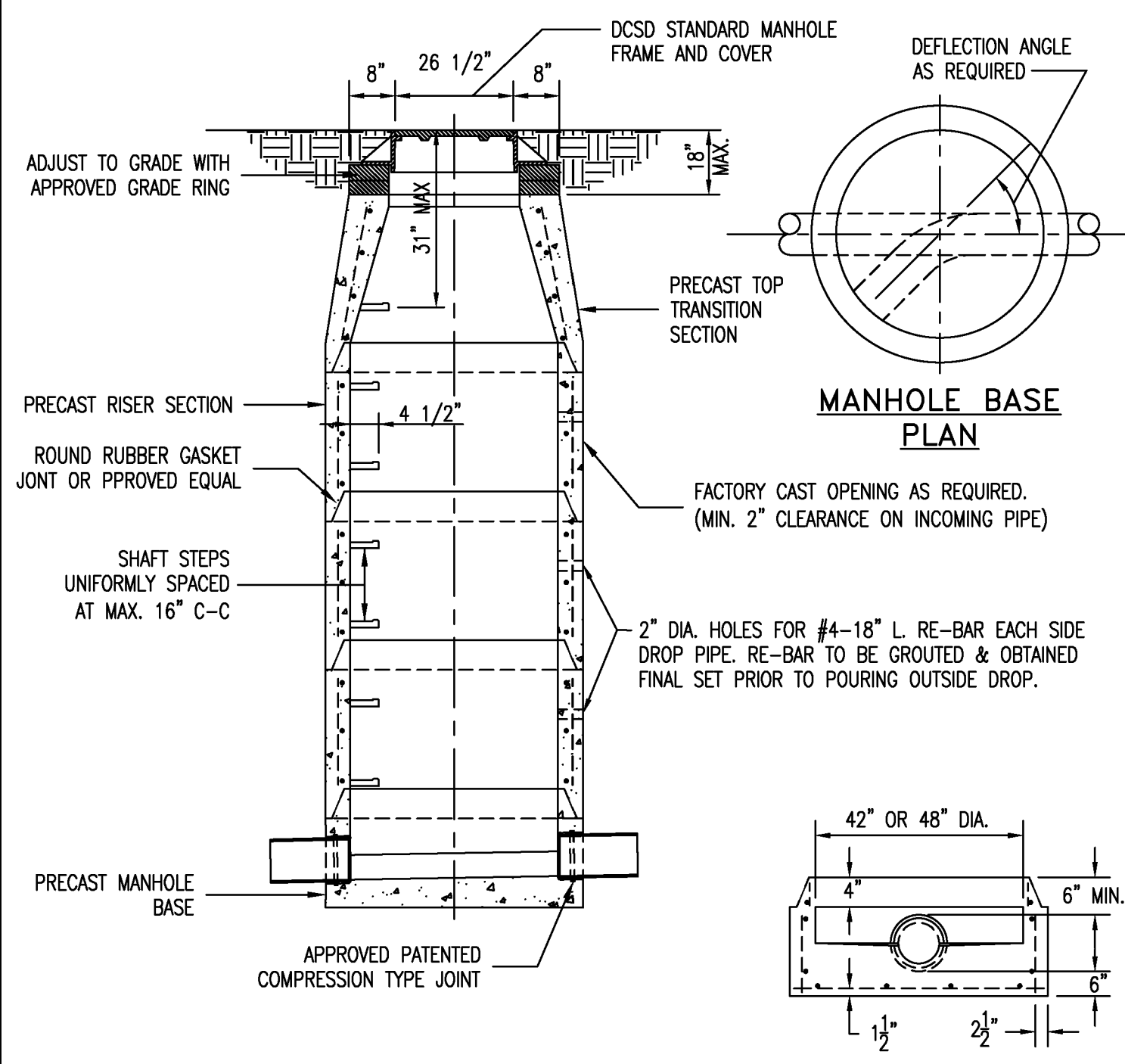
Duckett Creek Sanitary District
 TYPICAL CONCRETE ENCASEMENT
 Dwn By: BSM App By: KA Detail No. 4
 Ckd By: MDOB Date: DEC. 2015



Duckett Creek Sanitary District
 MANHOLE FRAME AND COVER
 Dwn By: BSM App By: KLA Detail No. 12
 Ckd By: MDOB Date: DEC. 2015



Duckett Creek Sanitary District
 MANHOLE STEP FOR PRECAST MANHOLE
 Dwn By: BSM App By: KA Detail No. 18
 Ckd By: MDOB Date: DEC. 2015

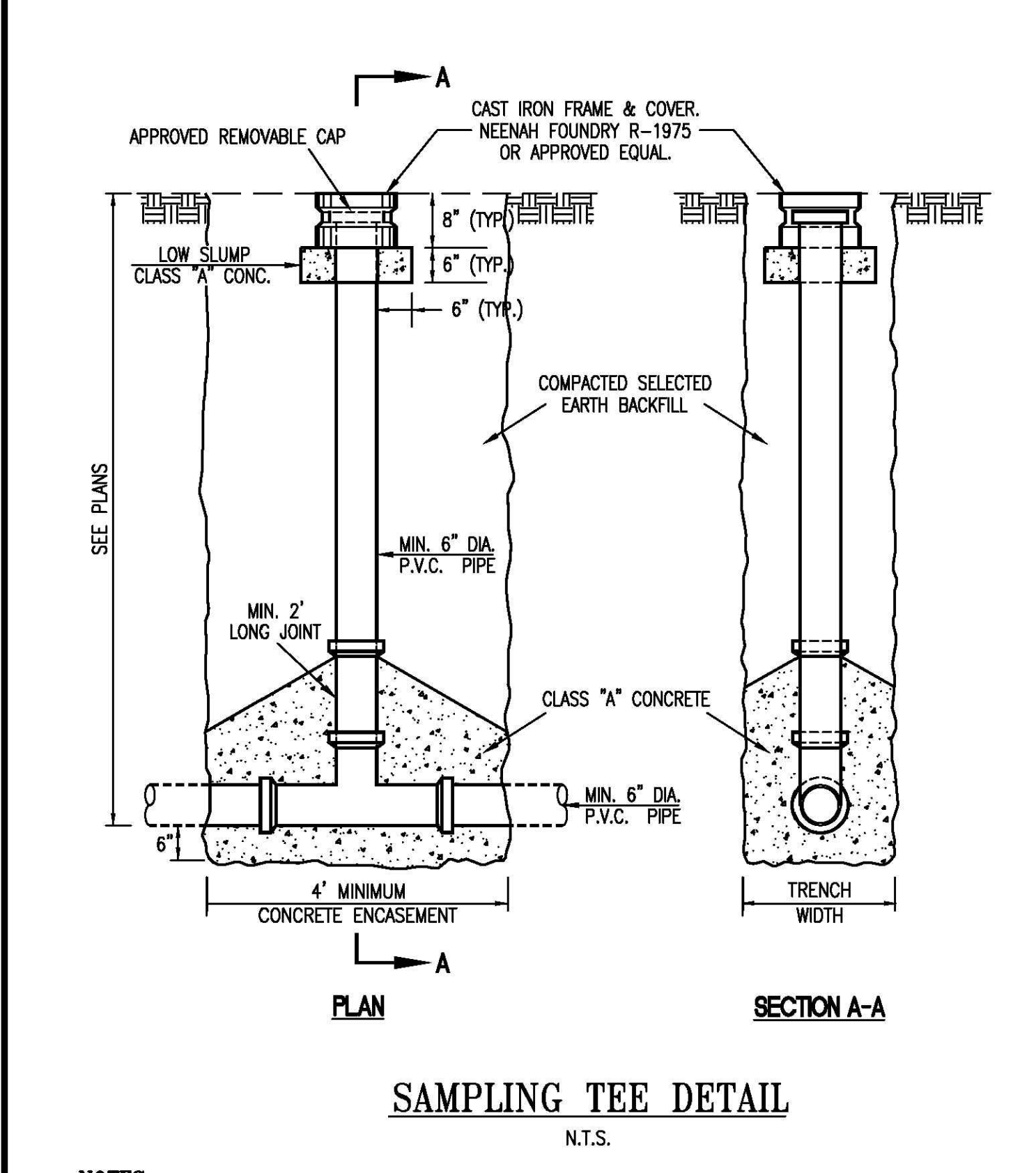


SECTION OF MANHOLE	DIMENSION
TOP TRANSITION UPPER	26 1/2" DIA.
TOP TRANSITION LOWER	42" DIA.
BOTTOM SECTION 8" DIA. PIPE	42" DIA.
BOTTOM SECTION 10" THRU 36" DIA. PIPE	48" DIA.
BOTTOM SECTION 42" DIA. PIPE	60" DIA.

NOTES:
 1. ALL INVERTS SHALL HAVE POSITIVE DRAINAGE THROUGH MANHOLE.
 2. BRICK SHALL NOT BE USED ON MANHOLES.

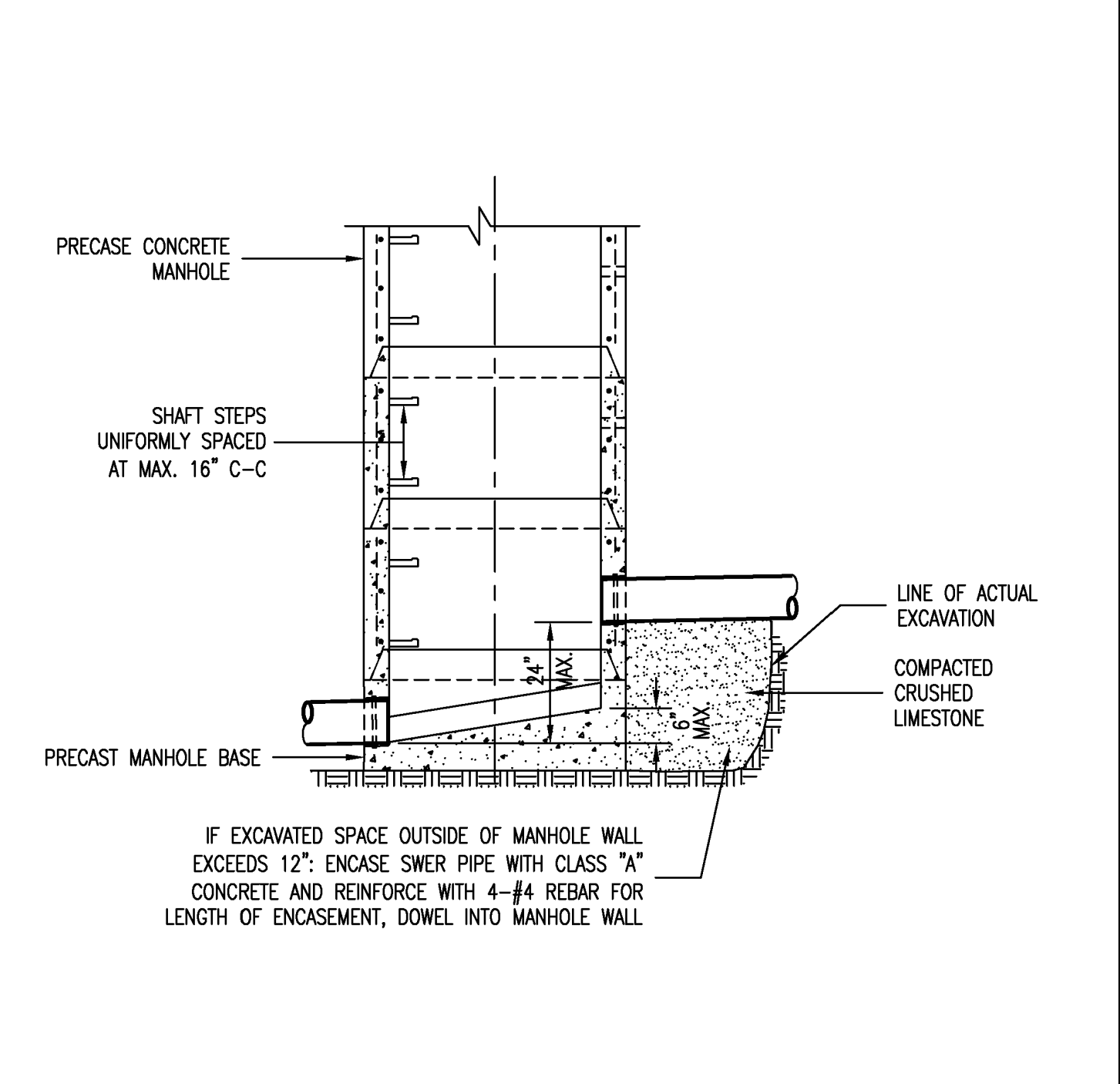
SEE A.S.T.M. C-478 FOR MINIMUM STEEL REQUIREMENTS.

Duckett Creek Sanitary District
 PRECAST CONCRETE MANHOLE FOR SEWERS 8" THROUGH 18" BSM
 Dwn By: BSM App By: KLA Detail No. 7
 Ckd By: MDOB Date: DEC. 2015



NOTES:
 1. DO NOT USE WYES.

Duckett Creek Sanitary District
 SAMPLING TEE
 Dwn By: MSM App By: LRK Detail No. 31
 Ckd By: LRK Date: APRIL 2022

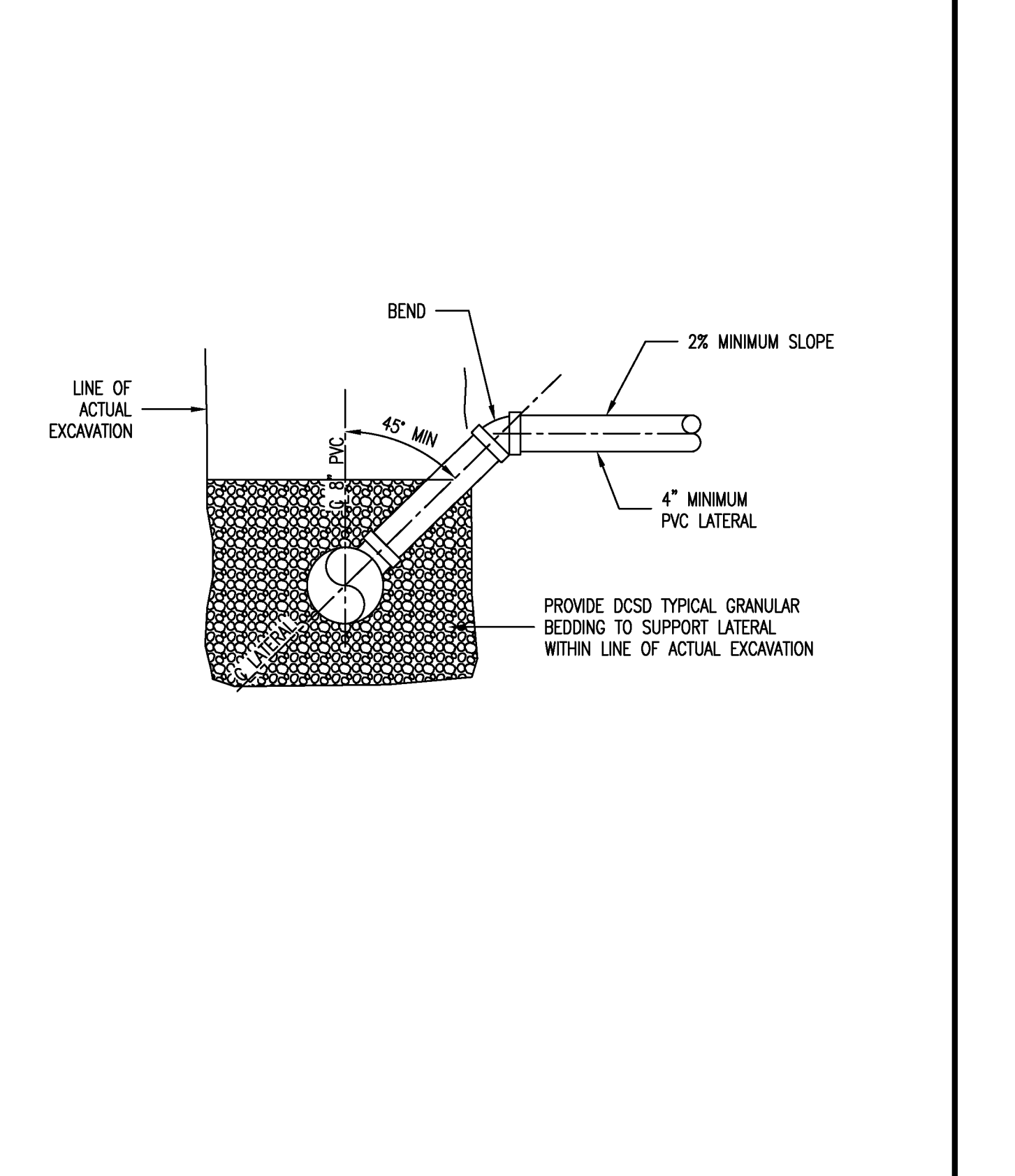


SECTION OF MANHOLE	DIMENSION
TOP TRANSITION UPPER	26 1/2" DIA.
TOP TRANSITION LOWER	42" DIA.
BOTTOM SECTION 8" DIA. PIPE	42" DIA.
BOTTOM SECTION 10" THRU 36" DIA. PIPE	48" DIA.
BOTTOM SECTION 42" DIA. PIPE	60" DIA.

NOTES:
 1. ALL INVERTS SHALL HAVE POSITIVE DRAINAGE THROUGH MANHOLE.
 2. BRICK SHALL NOT BE USED ON MANHOLES.

SEE A.S.T.M. C-478 FOR MINIMUM STEEL REQUIREMENTS.

Duckett Creek Sanitary District
 INSIDE FOULWATER DROP MANHOLE (SWEEP INLET)
 Dwn By: BSM App By: KA Detail No. 9
 Ckd By: MDOB Date: DEC. 2015



Duckett Creek Sanitary District
 SANITARY SEWER LATERAL RISER DETAIL
 Dwn By: BSM App By: KA Detail No. 27
 Ckd By: MDOB Date: DEC. 2015

636-594-0540 (tel.)
 636-594-0512 (fax)
 mail@ochran.com
UCHRAN
 Civil Engineering
 Land Surveying
 Architecture
 Site Development
 General Consulting
 Master Planning

Missouri State Certificate of Authority Numbers:
 Survey: 000380
 Engineering: 001655
 Architecture: 200214240

STATE OF MISSOURI
TIMOTHY SCHOWE
 Professional Engineer
 No. PE-201860268
 10-21-22

SITE IMPROVEMENTS
 SSM HEALTH
 OF FALLON, MISSOURI

DATE: JMM
 DATE: OCT. 21, 2022
 SCALE: NO SCALE
 PROJ. NO.: 22-9120
 SHEET NO.: D7