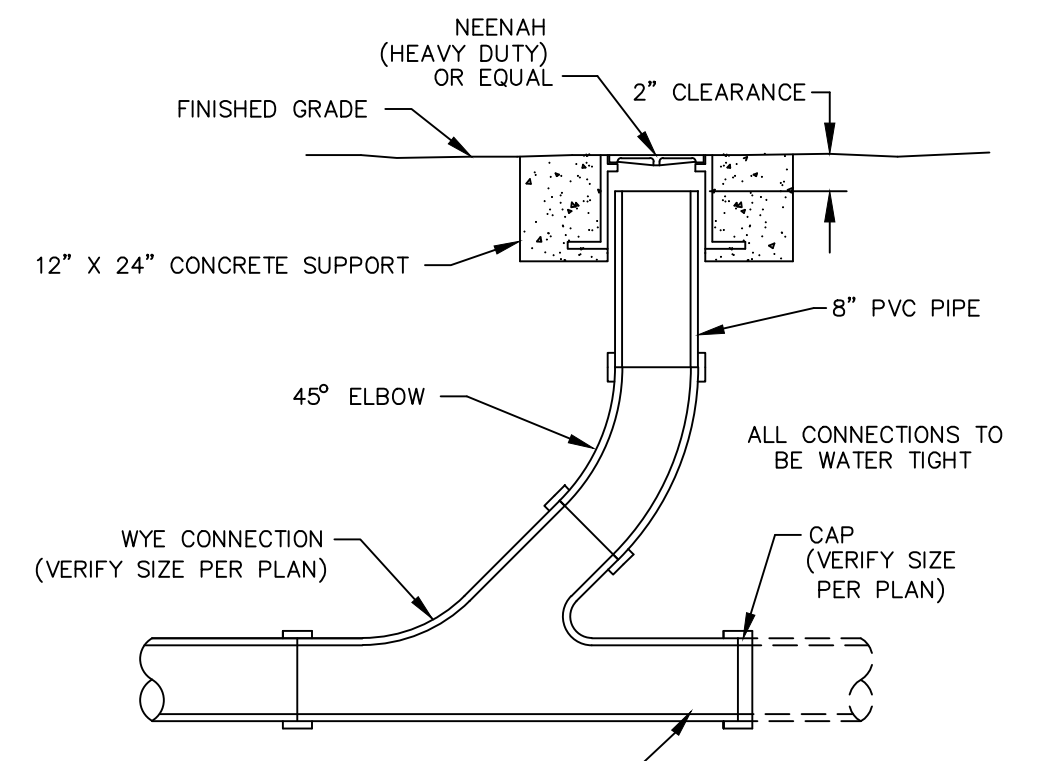
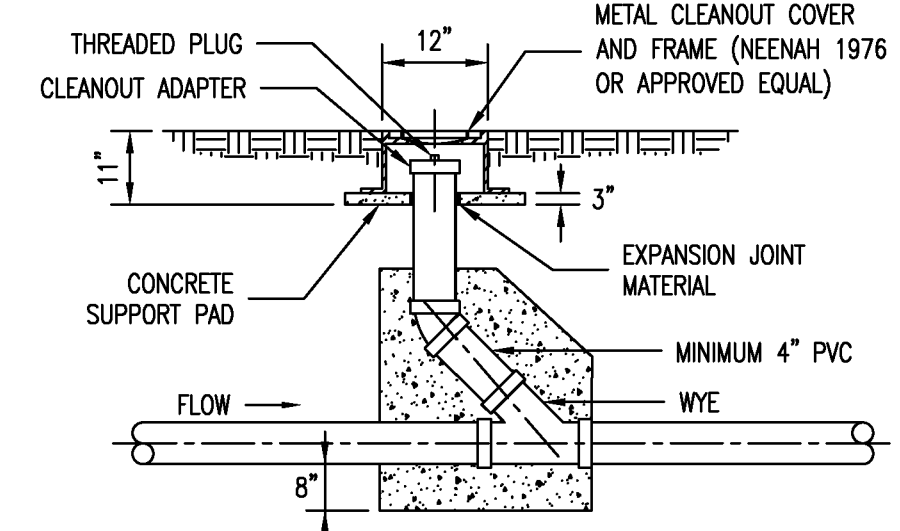


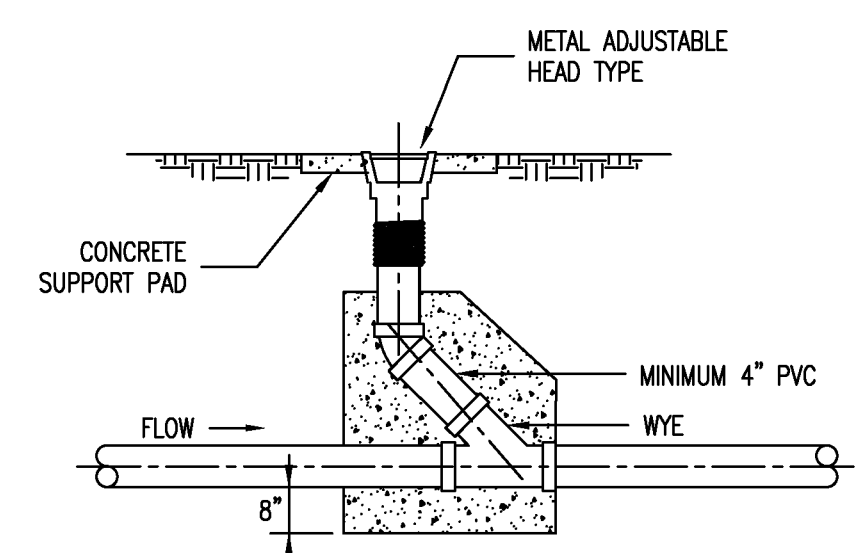
TYPICAL EXTERIOR STAIR DETAIL
NO SCALE



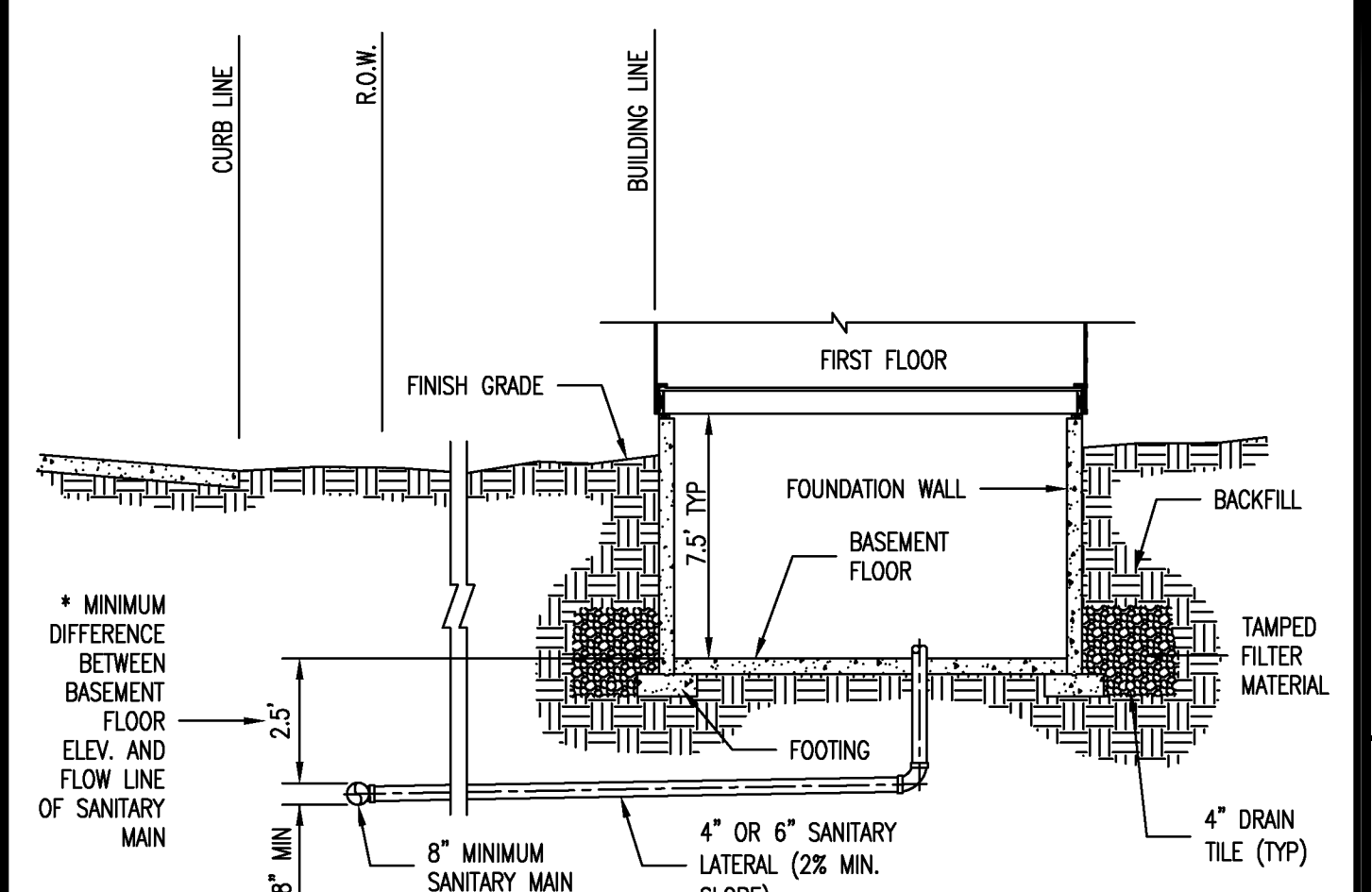
DOWNSPOUT CLEANOUT DETAIL
NO SCALE



METAL FRAME AND COVER TYPE CLEANOUT



ADJUSTABLE HEAD TYPE CLEANOUT



*NOTE:
DIFFERENCE IN DEPTH INCREASES WITH PIPE SIZE

Duckett Creek Sanitary District

TYPICAL SEWER LATERAL CLEANOUT DETAIL

OWN BY: BSM
APP BY: KLA
CHK BY: MDOB
DATE: DEC. 2015

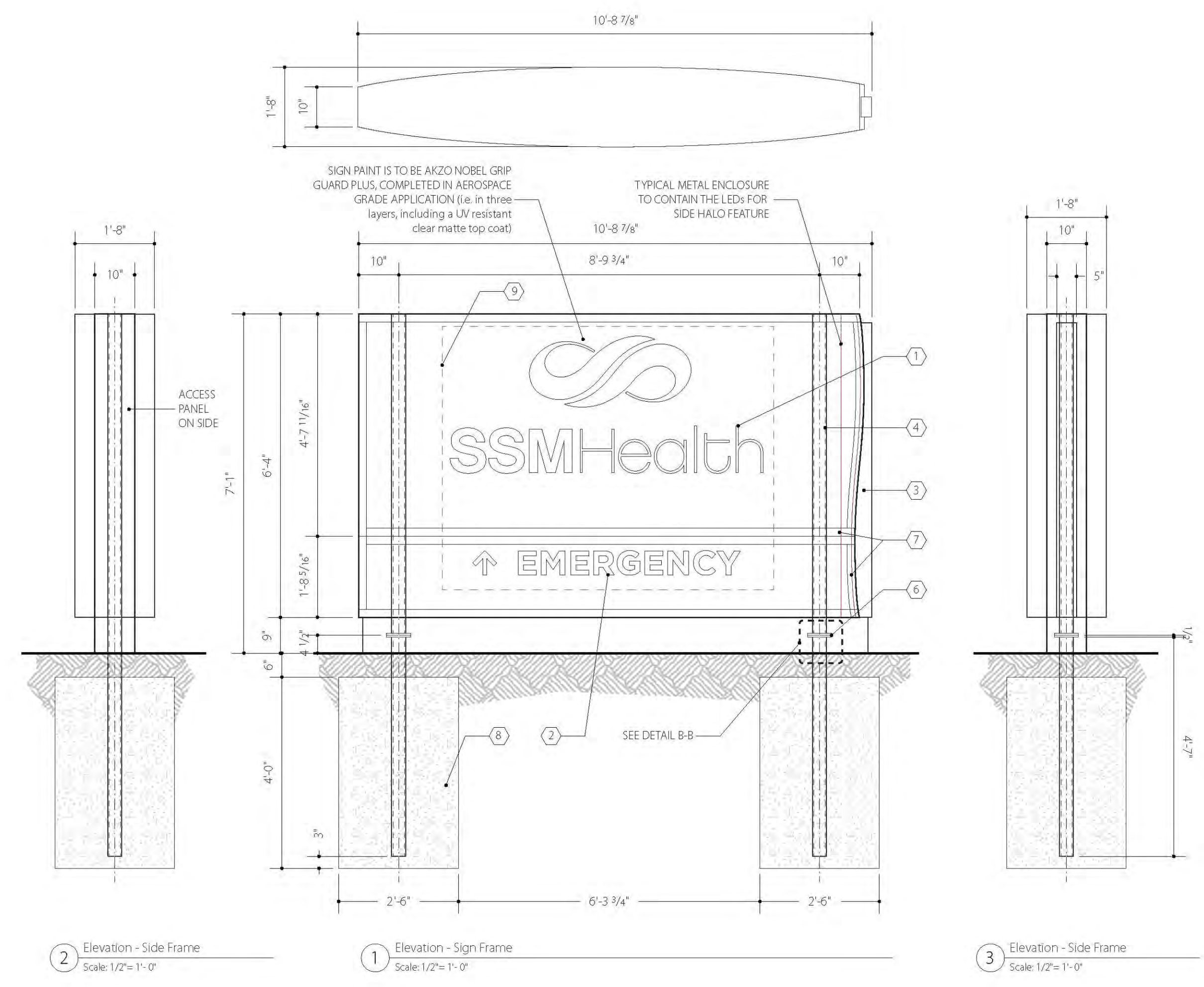
DETAIL NO. 25

Duckett Creek Sanitary District

TYPICAL SANITARY SEWER LATERAL PROFILE

OWN BY: BSM
APP BY: KLA
CHK BY: MDOB
DATE: DEC. 2015

DETAIL NO. 26



- Specifications
- Monument Sign (Radius)
- Logo Panel
1/8" THK. Aluminum sign face panel with routed out logo shape, painted (TRD) with 3/4" thick clear acrylic with 1/2" push-thru graphic film.
 - Message Panel
1/8" THK. Aluminum sign face with routed out letters and arrow backed up with 3/4" clear acrylic with 1/2" push-thru graphic film. Applied Alkon translucent vinyl (Day/Night) Dark Grey on letters and arrows forms.
 - Accent Panel
5/8" x 1/8" Aluminum sq. tube, painted (Blue) secured with C-screws painted screws to match (Blue)
 - Structural Post
(2) 3"x3"x1/4" wall schedule 40 steel posts secured to sign cabinet via bolts
 - Polycarbonate Panel
1/2" Clear polycarbonate stud mounted to returns
 - Base Plate
1/2" THK. steel base plate welded into 3" dia. steel pipe schedule 40 secured with bolts / nuts / washers as required.
 - Structural Frame
2"x2"x1/8" Structural aluminum angle as sign frame. Note: Additional Horizontal Structural Angle Frames May Required. Placement to accommodate illuminated messages. Engineers/Sign Contractors to be responsible integrity of sign structure.
 - Concrete Footing
3000PSI concrete per (2) at 830' and 60' deep. #4 Rebar Mat @ 12" O.C. required.
 - LED Illumination - Sign Face
Sloan Sign Box II LED grid - Double side white (6500K) model #701946-6WD201. Engineers/sign contractors to be responsible to avoid hotspot on sign panel and to responsible for laying out LED module grid only where sign face needed to illuminate.
 - LED Illumination - Halo Edge Lit
Sloan V180 Standard grid - white (6500K) model #701369-6WVCS1-4M. Engineers/sign contractors to be responsible to avoid hotspot on sign panel and to responsible for laying out LED module grid only where sign face needed to illuminate.

GENERAL CONTRACTOR SHALL VERIFY SIGN DIMENSIONS AND COORDINATE WITH OWNER FOR EXACT LOCATION AND FOOTING SIZES PRIOR TO CONSTRUCTION.

636-594-0540 (tel.)
636-594-0512 (fax)
mail@ochran.com

UCHRAN

Civil Engineering
Land Surveying
Architecture
Site Development
General Consulting
Master Planning

630A E. Independence Dr.
Union, Missouri 63084

Missouri State Certificate of Authority Numbers:
Survey : 000380
Engineering : 001655
Architecture : 2002014240

Three working days prior to the start of any excavation call 1-800-465-8815 for utility location information.

All OSHA rules & regulations and state regulations for these construction projects shall be strictly followed (i.e. trenching, blasting, etc.)

STATE OF MISSOURI

TIMOTHY SCHOWE

Professional Engineer

NUMBER
PE-2018690268

10-21-22

SITE IMPROVEMENTS
SSM HEALTH
OF FALLON, MISSOURI

DETAIL SHEET

DATE:	JMM	APPRO. BY:	ERR
DATE:	OCT. 21, 2022		
SCALE:	NO SCALE		
PROJ. NO.:	22-9120		
DWG. NO.:	D8		

DWG NAME: F:\22-9120 - Professional Design Services for the SSM Medical Building in O'Fallon, MO\AutoCAD Drawings\9120 - Plan Sheets\14 - DETAIL SHEET.dwg LAYOUT TAB: D8 PLOTTED ON: Oct 20, 2022 - 12:29pm PLOTTED BY: tschow