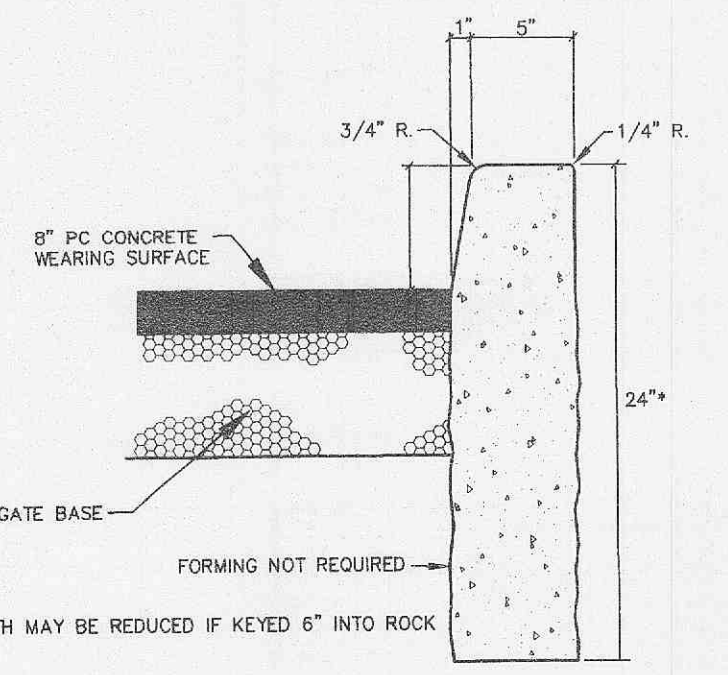
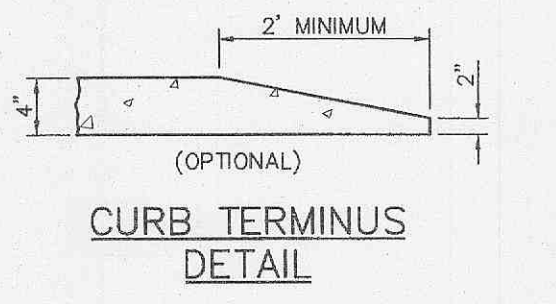
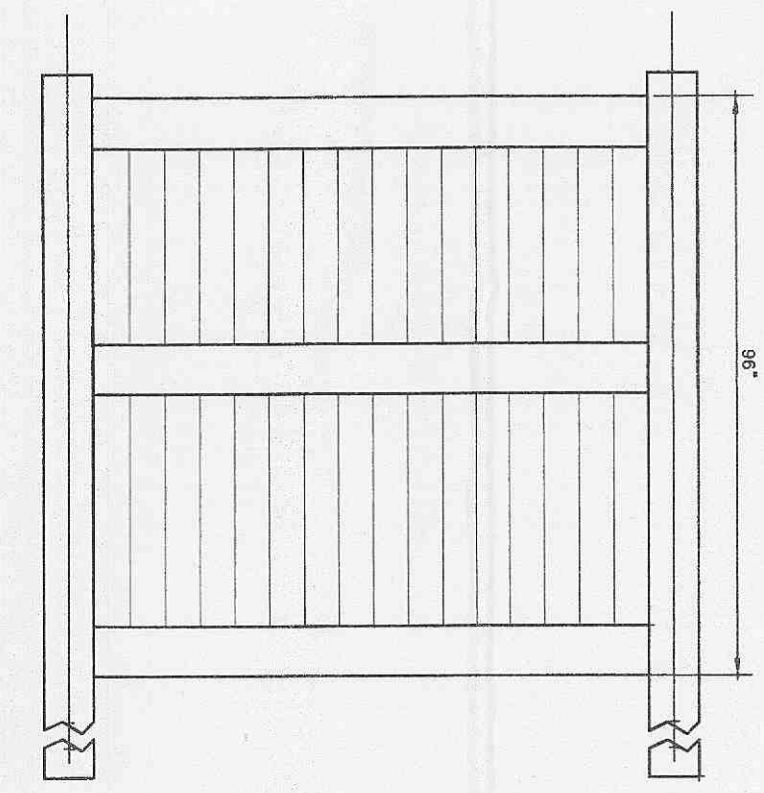
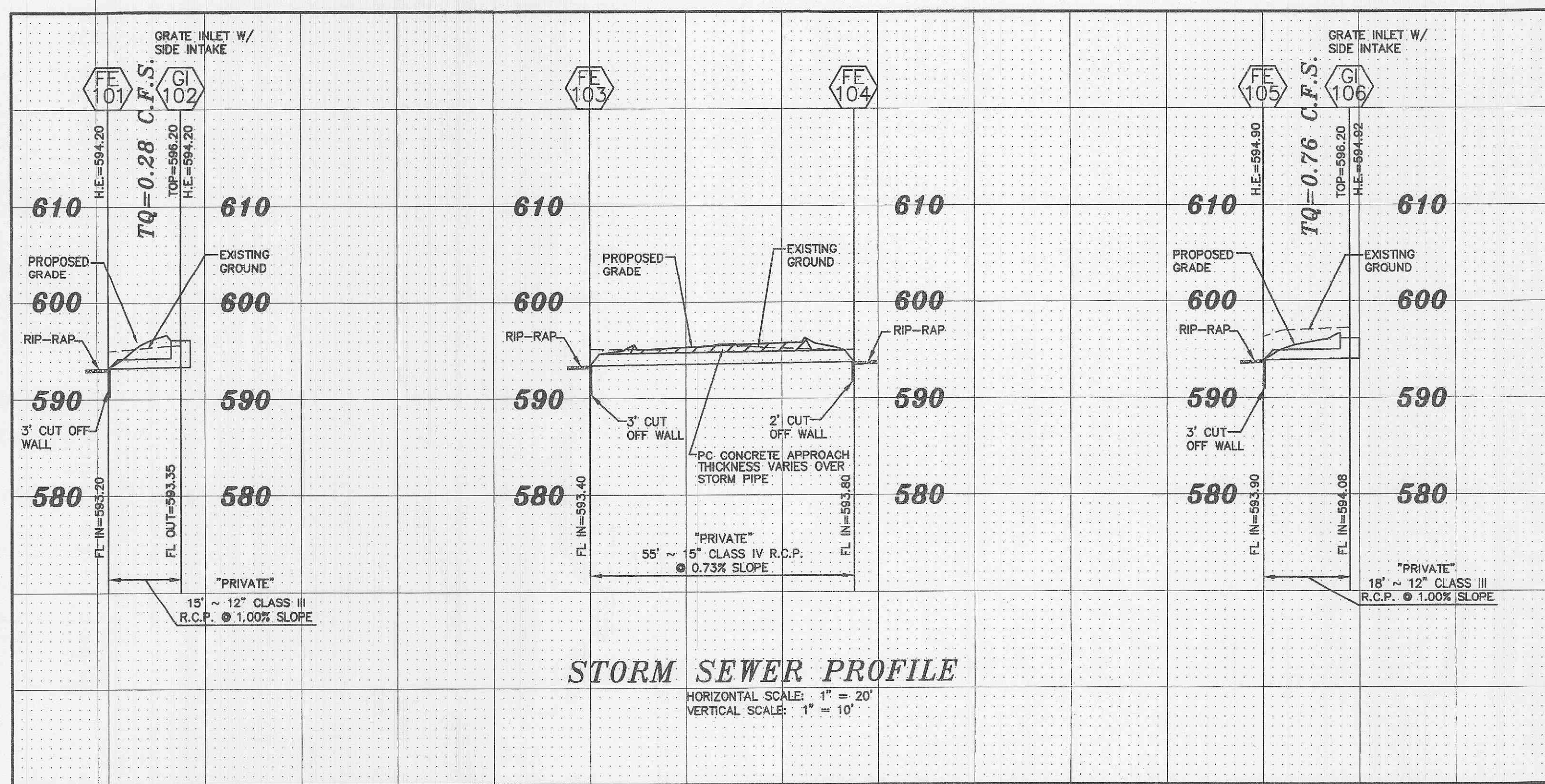


REVISIONS:
09-06-04 MoDot Comments
09-10-04 City Comments
10-21-04 Fire Department Comments
11-16-04 City Comments
02-01-05 City Comments

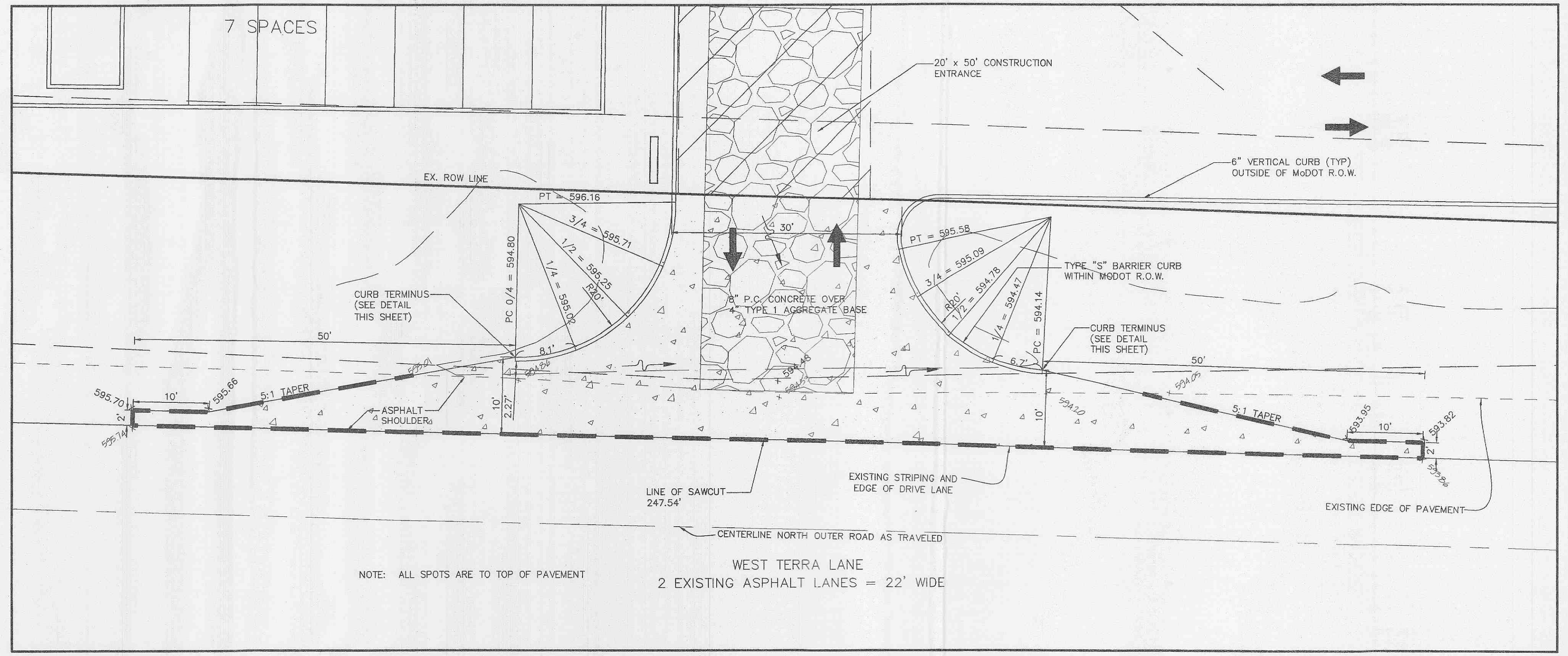
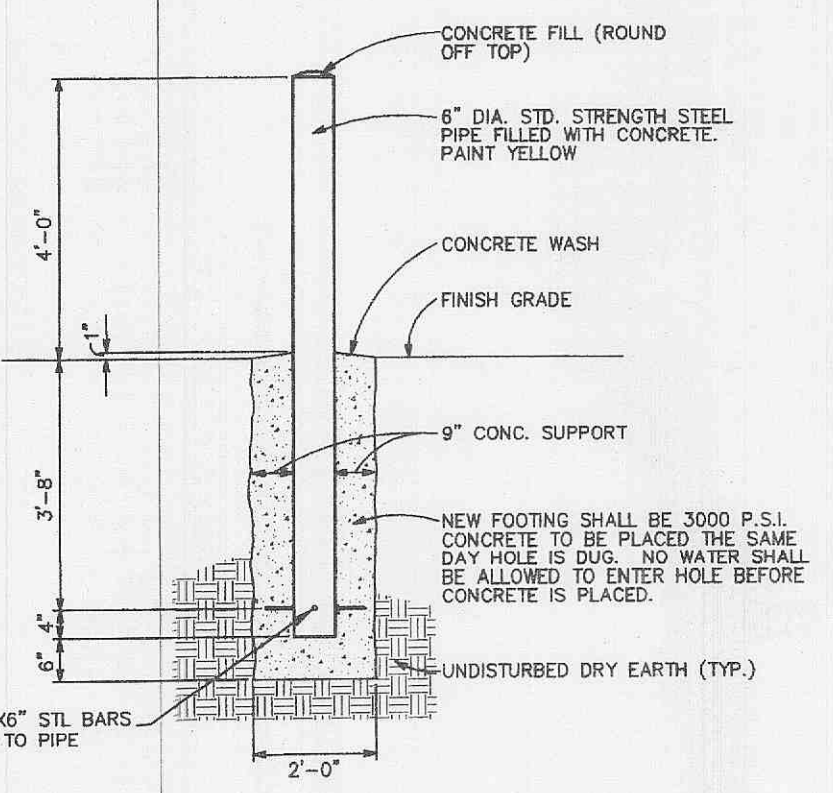
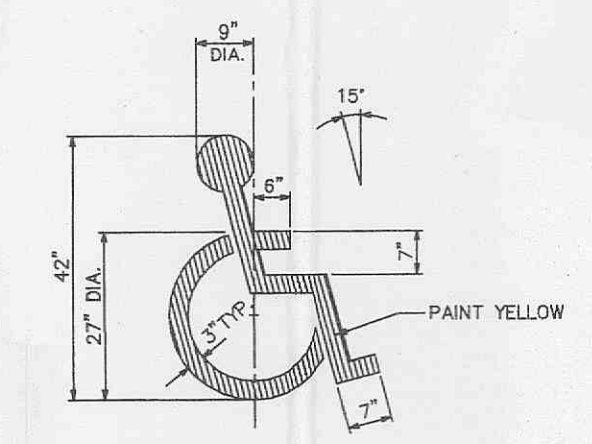
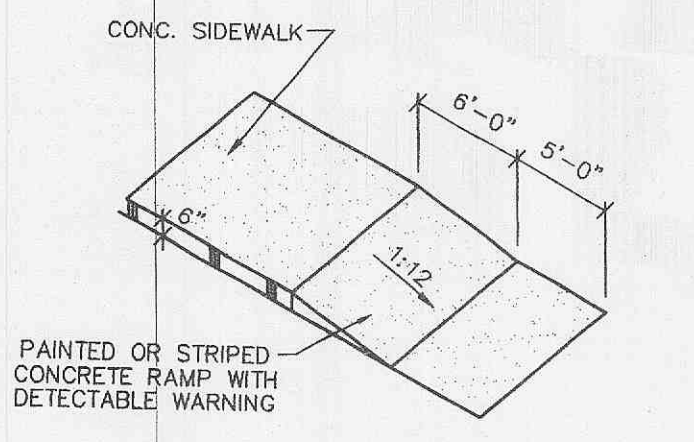
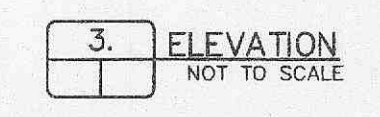
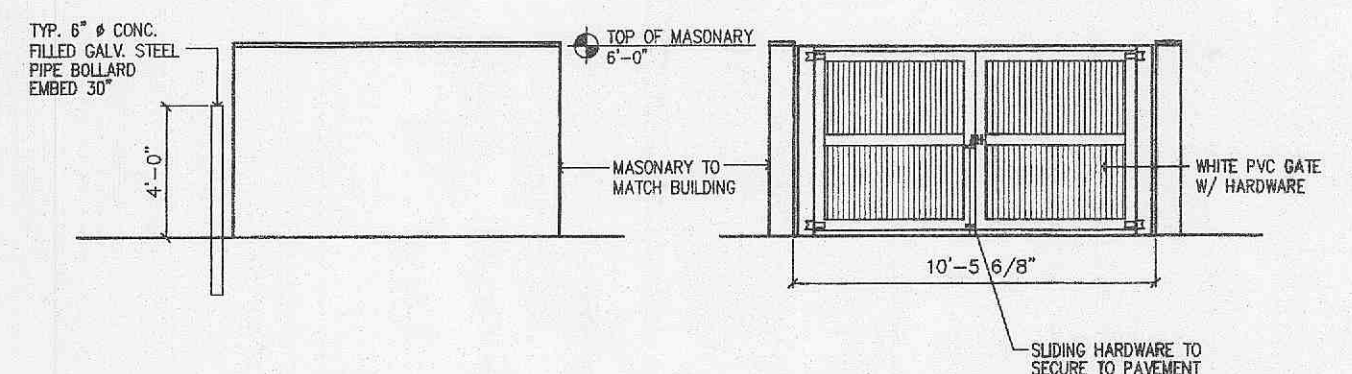
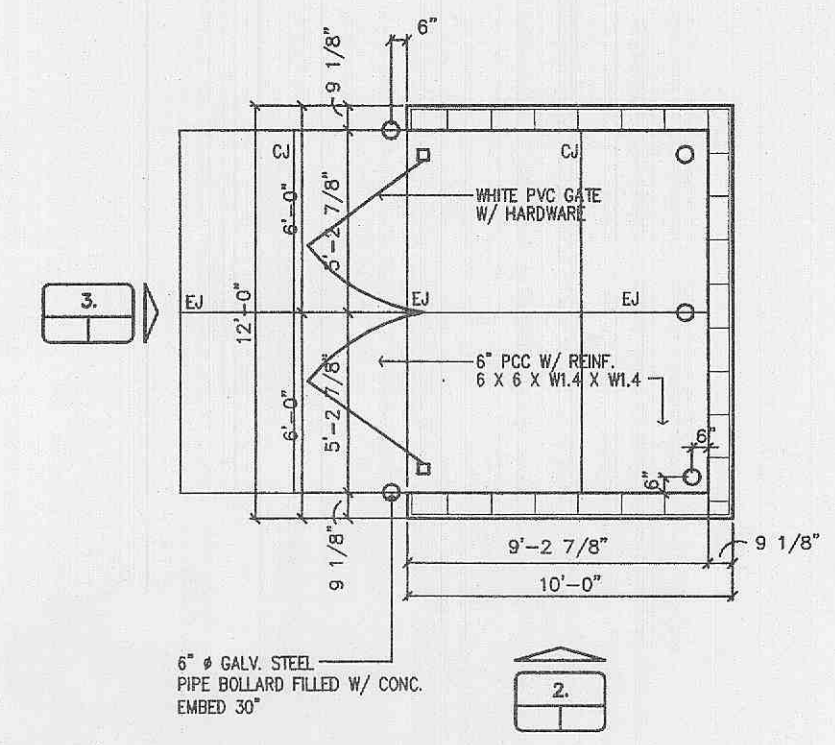
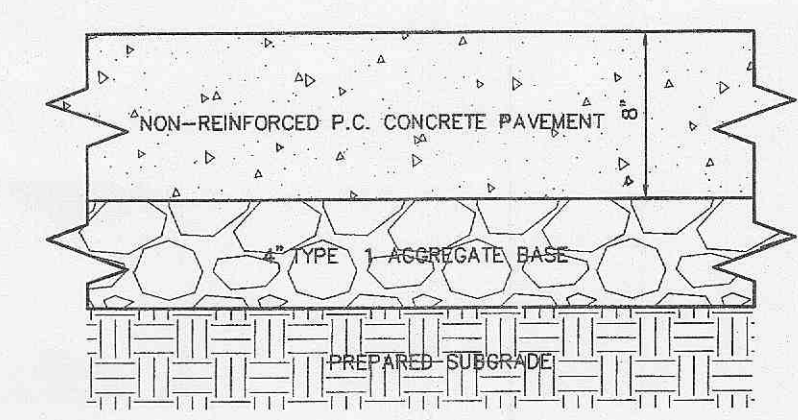
03-12398 07/16/04



PLACE EXPANSION JOINT AT MAXIMUM SPACING OF 20' AND AT P.C. AND P.T. OF ROUNDINGS.

FILENAME: 12398

UPP STR	LOW STR	L	DIA	UPPER FL LN	LOWER FL LN	PS	UPPER ST EL	DEPTH HY GR	UPPER HY EL	LOWER HY EL	HYDR GRADE	FR HEAD	LOWER VEL	UPPER VEL	JUNC LOSS	TQ	PIPE CAP	REMARKS
GI 102	FE 101	15	12	593.35	593.20	1.00	596.20	2.00	594.20	594.20	.00010	0.00	0.36	0.00	0.00	0.28	3.56	1 HW=594.20
GI 106	FE 105	18	12	594.08	593.90	1.00	596.20	1.28	594.92	594.90	.00050	0.01	0.97	0.01	0.01	0.76	3.56	2 HW=594.90



NOTE: ALL SPOTS ARE TO TOP OF PAVEMENT

WEST TERRA LANE
2 EXISTING ASPHALT LANES = 22' WIDE

ENTRANCE DETAIL
SCALE: 1" = 10'

O'FALLON FILE NUMBER: 2903

E:\DWC\12000PLUS\12398\Constr\action\12398con.dwg, DETAILS (6), 2/3/2005 12:00:49 PM, Station 25 LDW