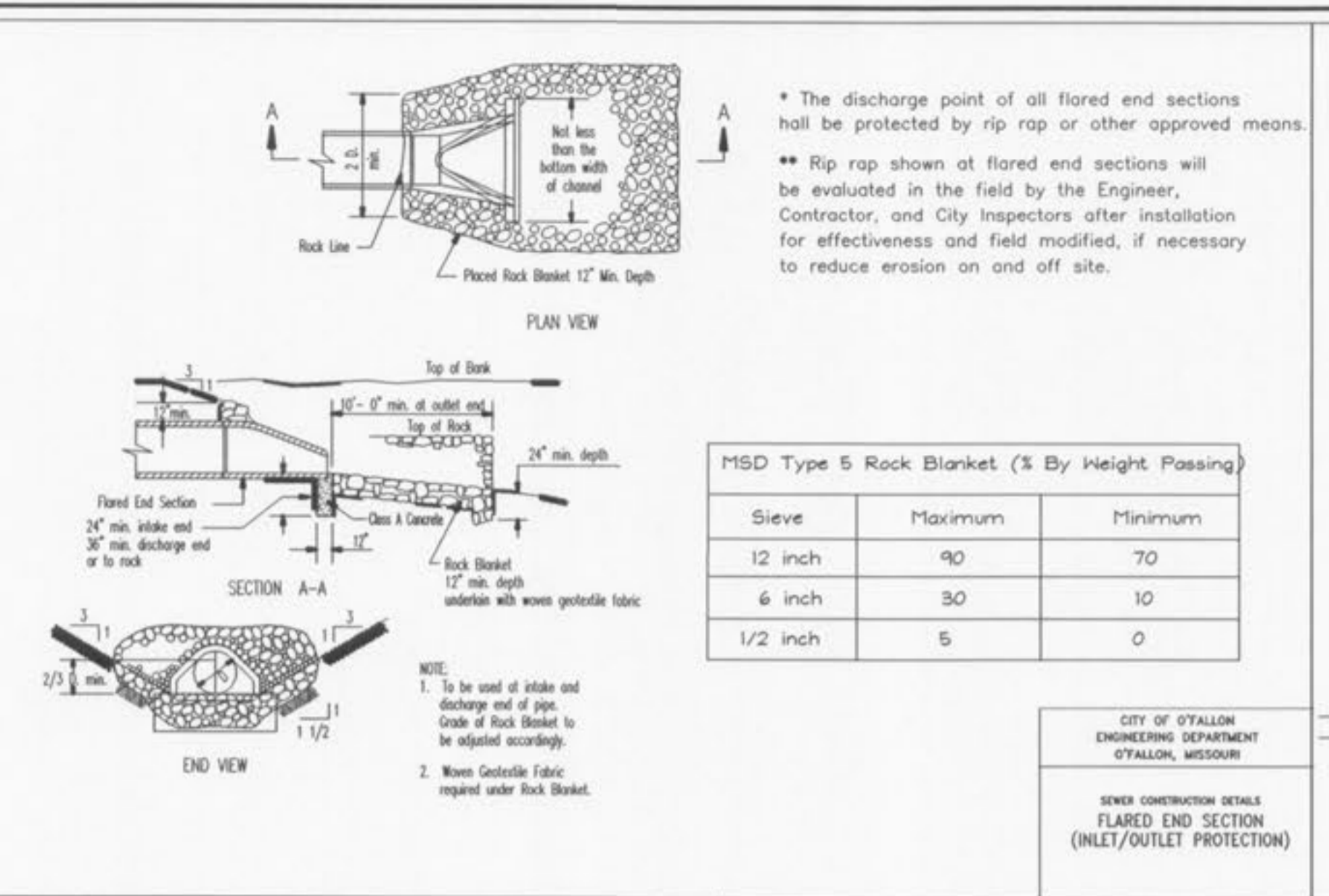


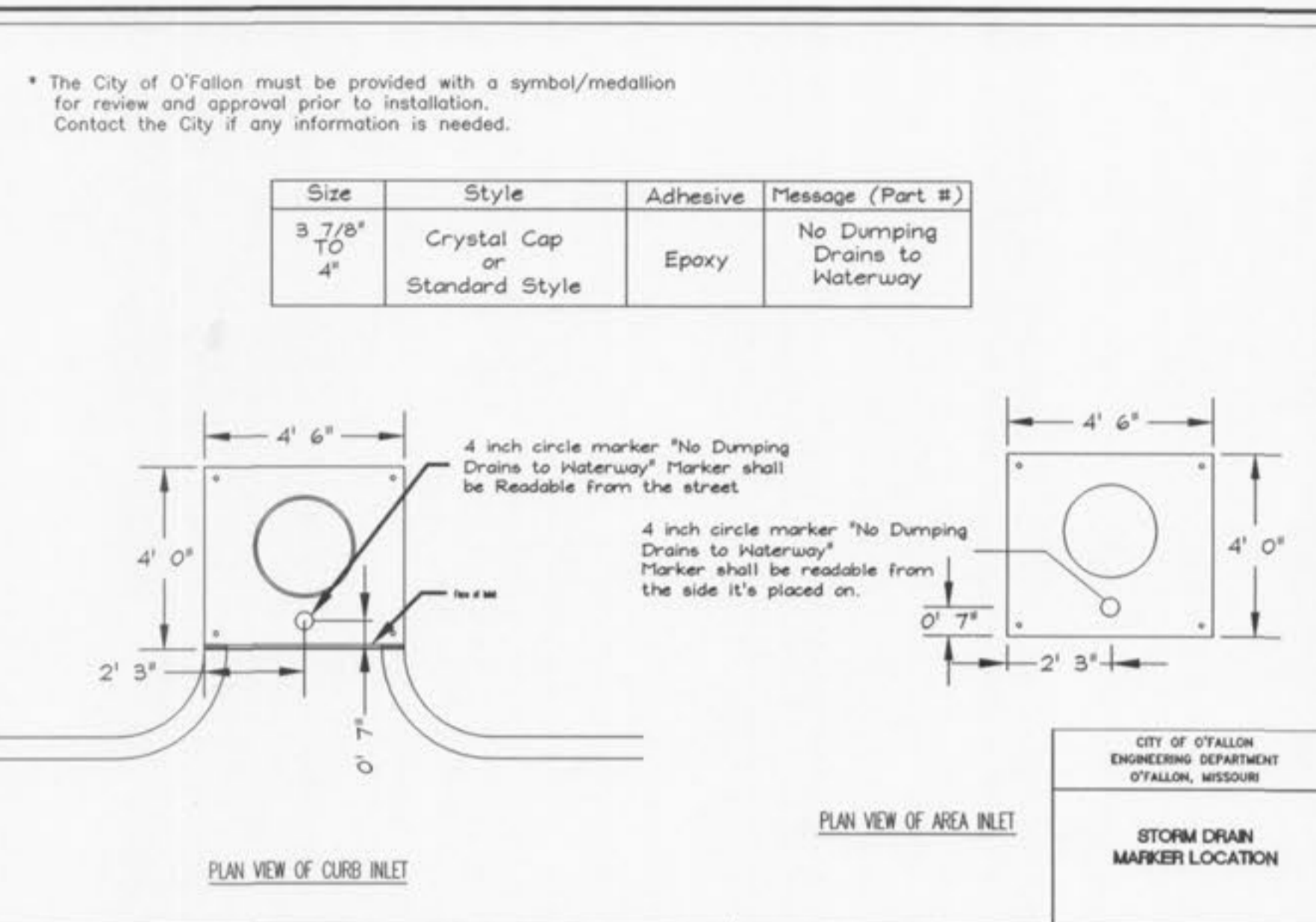
CITY OF O'FALLON  
ENGINEERING DEPARTMENT  
O'FALLON, MISSOURI

**CLASS A UNDERDRAINS**



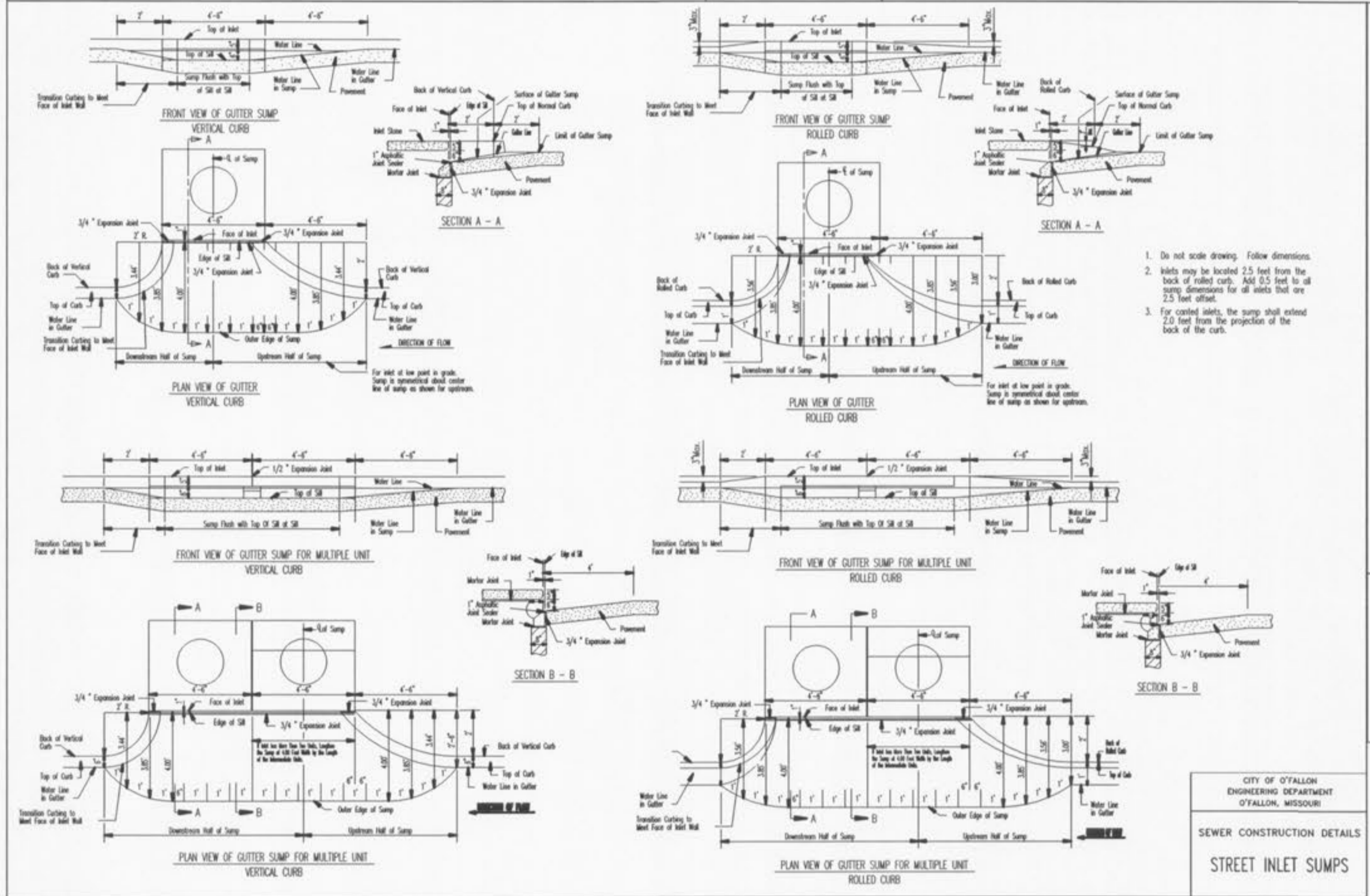
CITY OF O'FALLON  
ENGINEERING DEPARTMENT  
O'FALLON, MISSOURI

**SEWER CONSTRUCTION DETAILS  
FLARED END SECTION  
(INLET/OUTLET PROTECTION)**



CITY OF O'FALLON  
ENGINEERING DEPARTMENT  
O'FALLON, MISSOURI

**STORM DRAIN MARKER LOCATION**



CITY OF O'FALLON  
ENGINEERING DEPARTMENT  
O'FALLON, MISSOURI

**SEWER CONSTRUCTION DETAILS  
STREET INLET SUMPS**

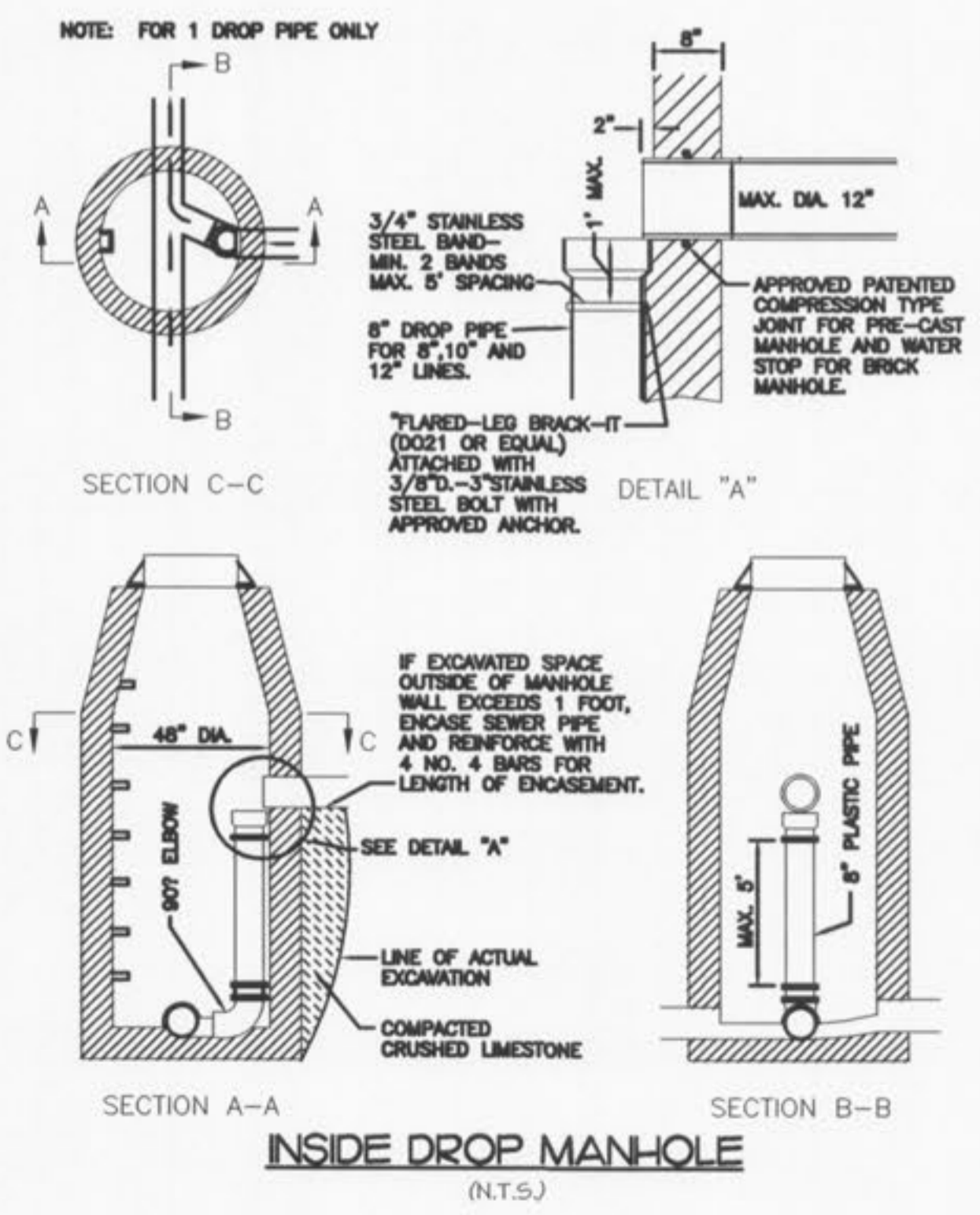


CITY OF O'FALLON  
ENGINEERING DEPARTMENT  
O'FALLON, MISSOURI

**TRANCH DETAIL**

\* All other Storm or Sanitary Sewer Details will be by M.S.D. 2007 Standards and Specifications.

City of O'Fallon Standard Subdivision Notes and Details - June 2010



**INSIDE DROP MANHOLE**  
(N.T.S.)

COPYRIGHT 2011 - CONFIDENTIAL PROPRIETARY MATERIAL. THE USE, REPRODUCTION AND SALES RIGHTS OF THIS DRAWING ARE RESERVED BY LAND DEVELOPMENT CONSULTANTS, INC. (LDC, INC.).

SEAL  
WILLIAM AUGUST HEYSE P.E.  
PROFESSIONAL ENGINEER E-24297  
E-34297  
3-542

PREPARED FOR:  
**MEL SCHNEIDER**  
305 CAPRI DR.  
O'FALLON, MO. 63366  
PH: 314-249-9550

LAND PLANNING • LAND SURVEYING  
**CIVIL ENGINEERING**  
1112 ROCK CREEK ELEMENTARY RD.  
O'FALLON, MISSOURI 63366  
PH: (636) 240-9696 FAX: (636) 240-4949  
MO. CERT. OF AUTHORITY FOR LAND SURVEYING  
L.C. NO. 000367 SERIAL NO. LS-367-D  
L.C. NO. 001596 SERIAL NO. E-1596-D

**LDC**  
PREPARED

**SCHNEIDER DUPLEX**  
ST. JOSEPH ST.  
O'FALLON, MO.

PROJECT: \_\_\_\_\_  
REVISION: \_\_\_\_\_  
DRAWN BY: GMK  
CHECKED BY: JPT  
DATE: 1/20/2012  
JOB NO.: 11.700  
SCALE: NO SCALE  
P&Z NO.: 24-11  
QTY. NO.: \_\_\_\_\_  
SHEET: **C4**