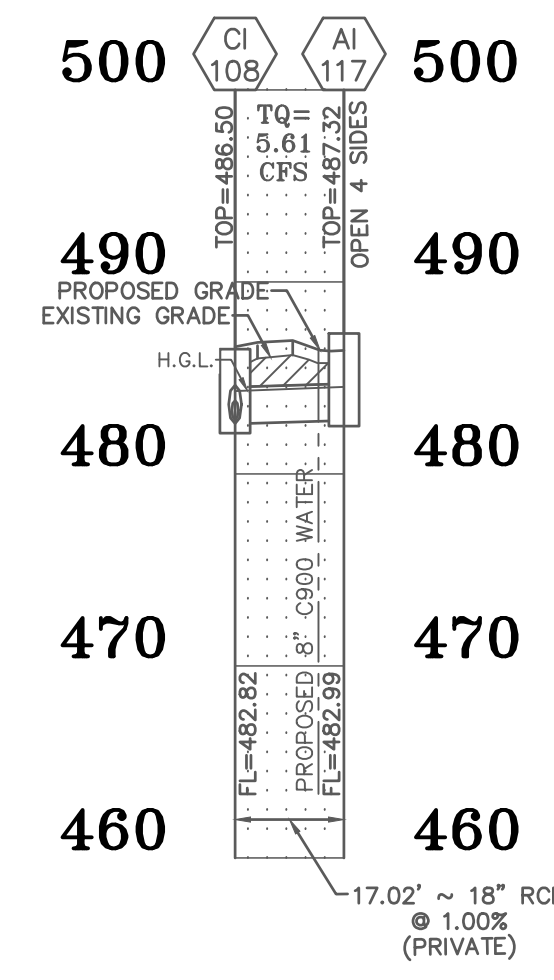
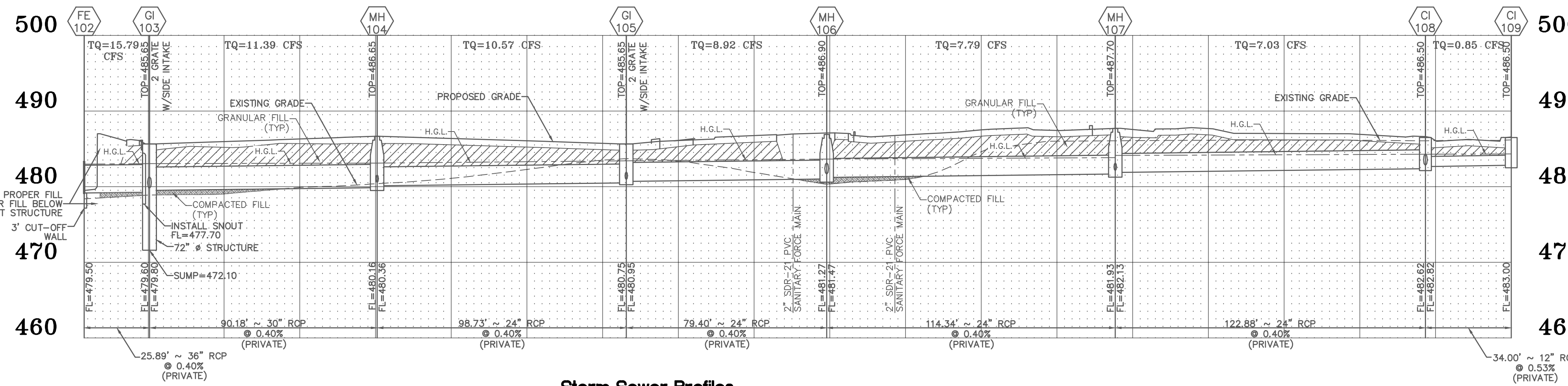
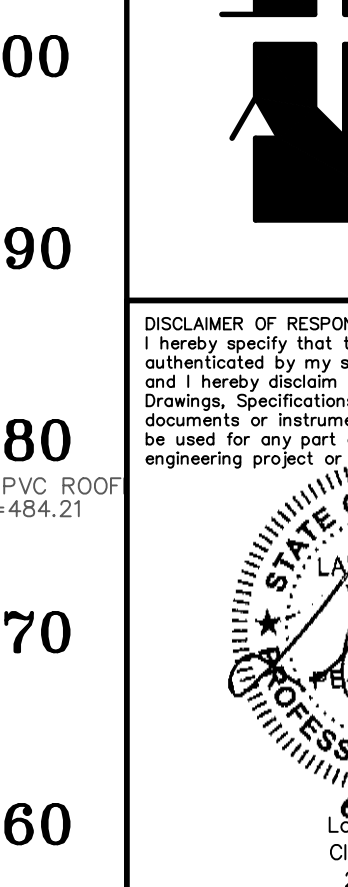
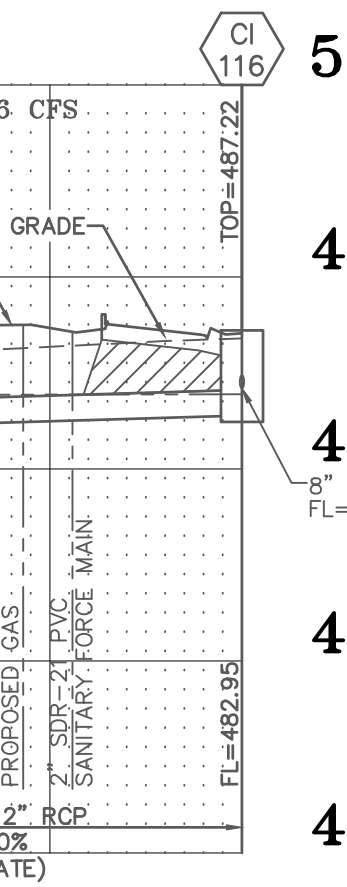
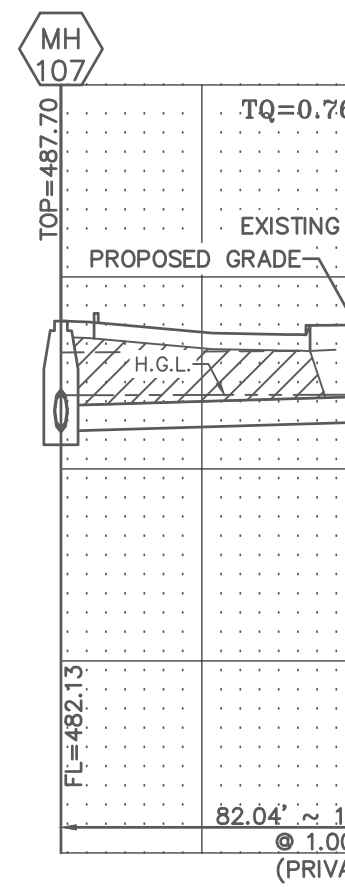
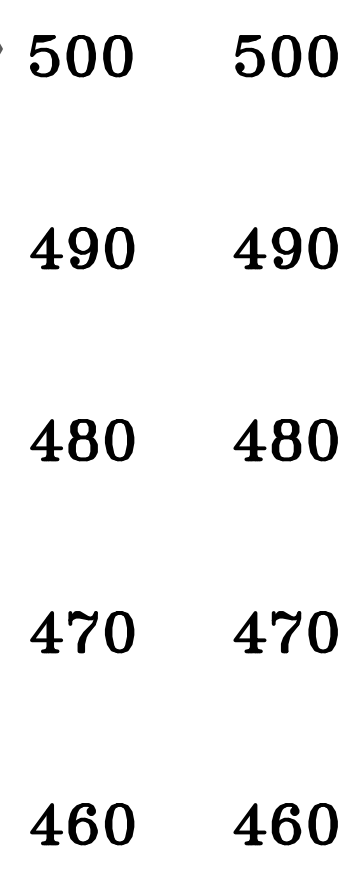
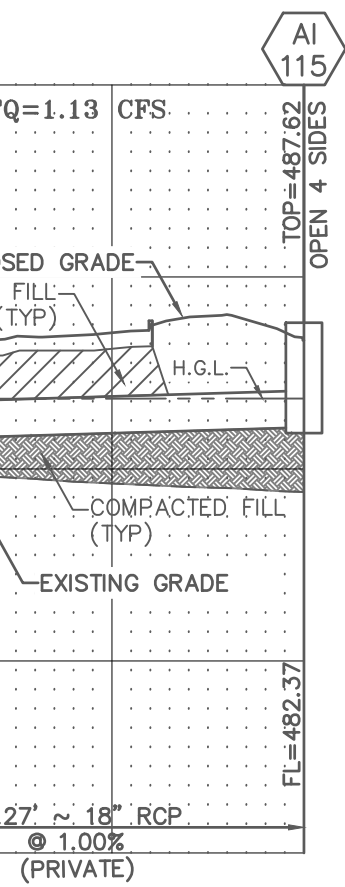
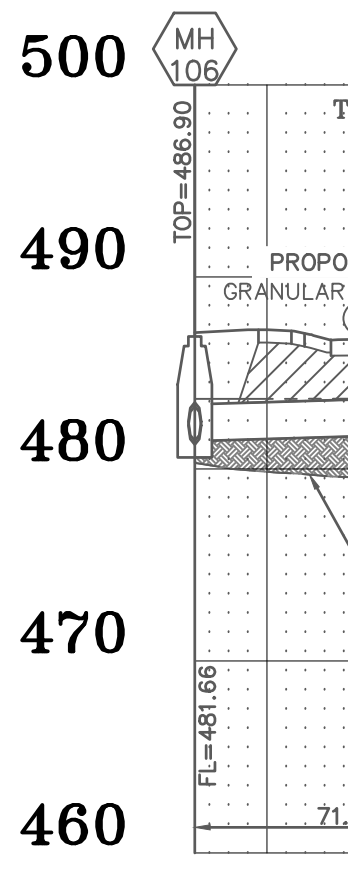
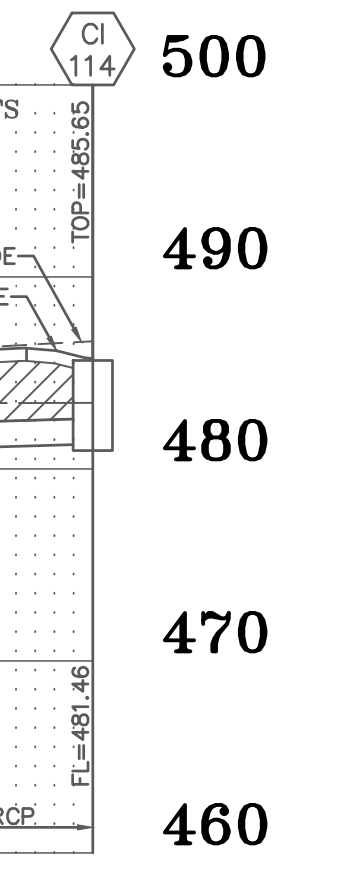
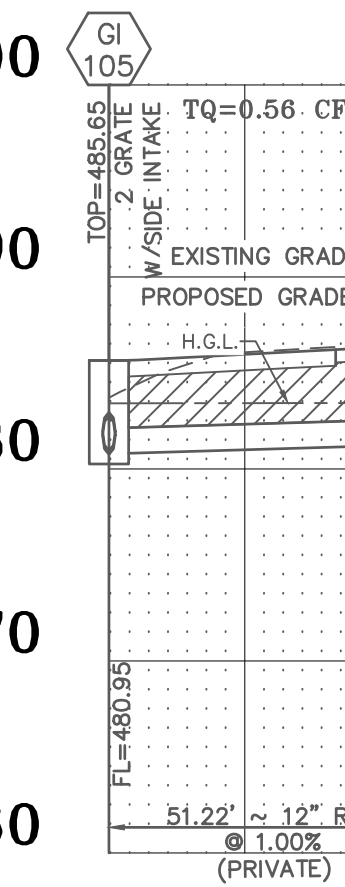
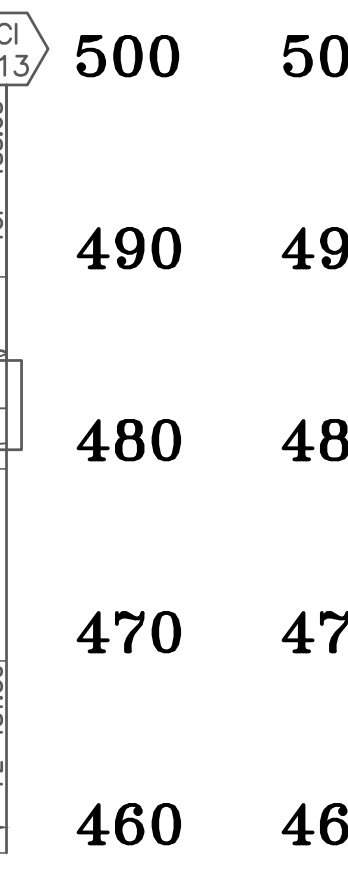
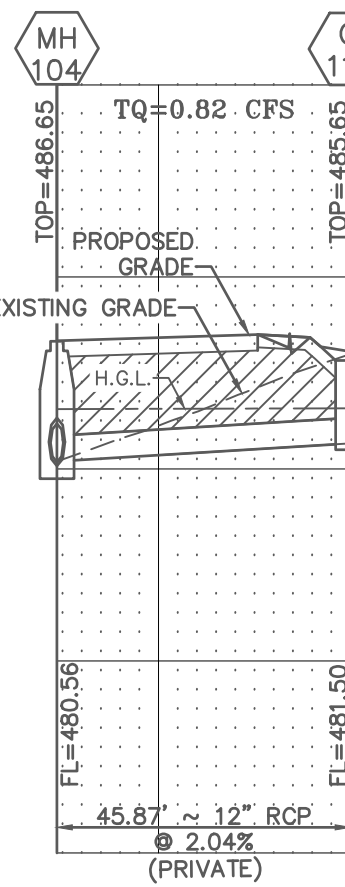
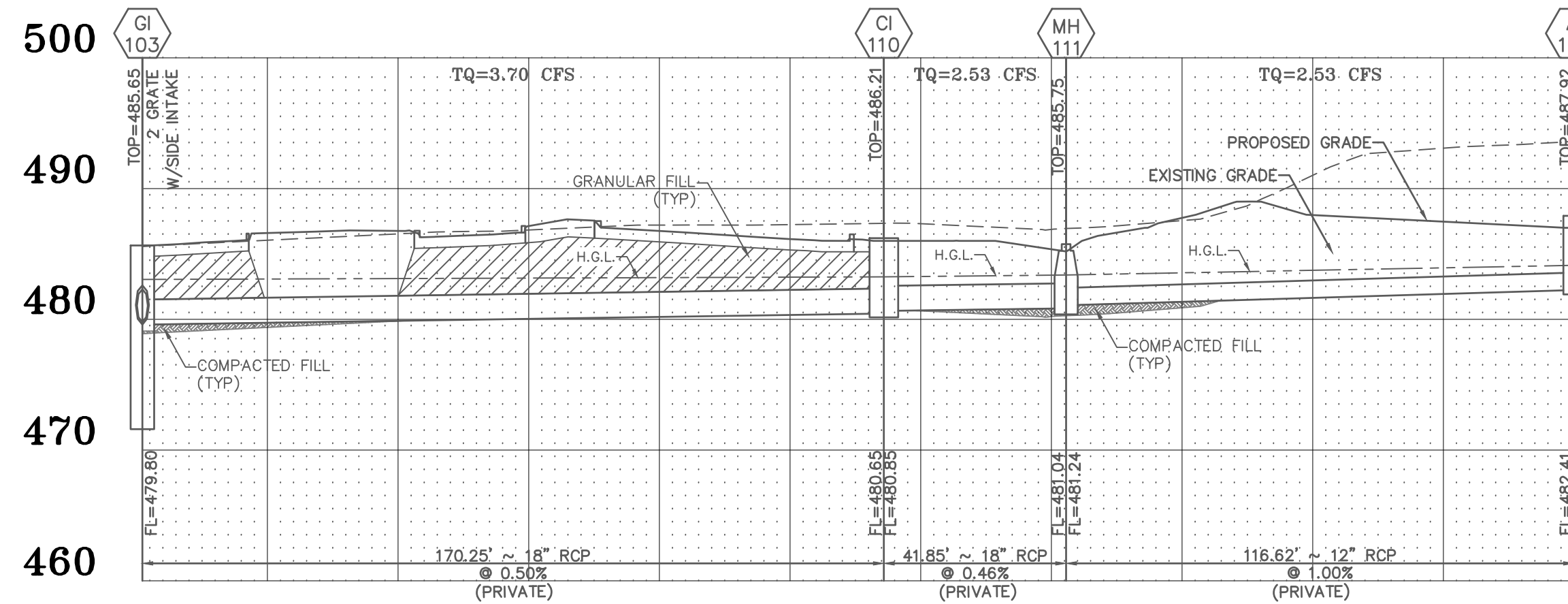


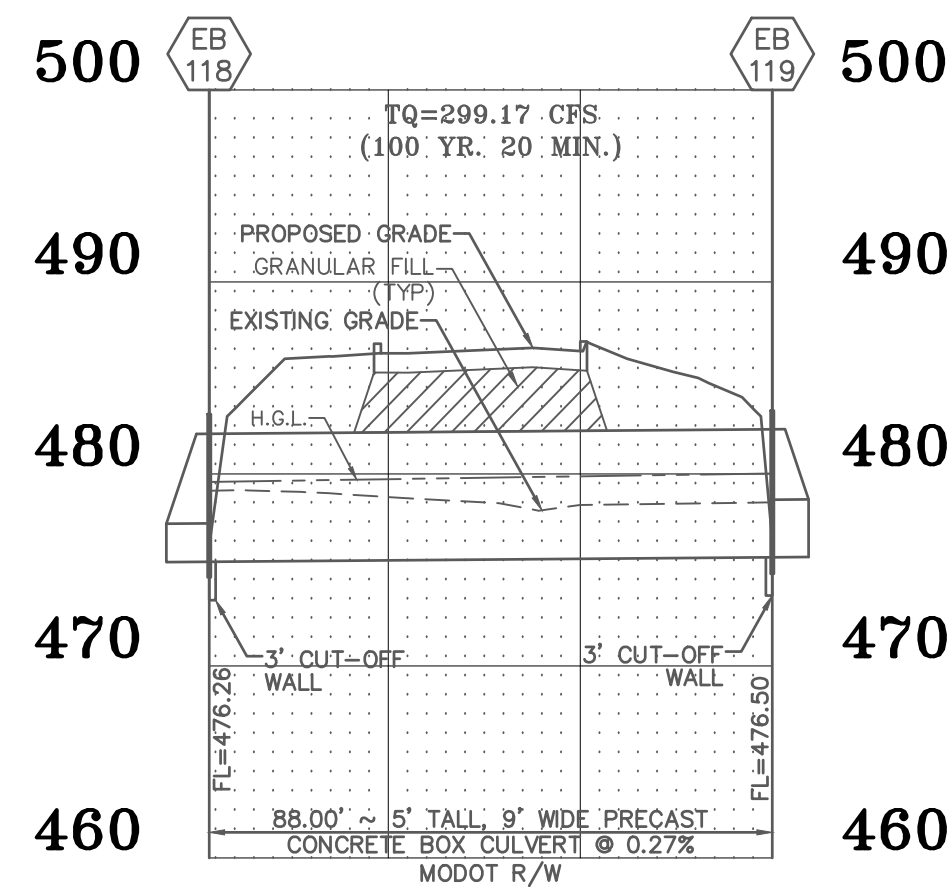
SEE RETAINING WALL PLAN FOR PROPER FILL MATERIAL AND LIMITS OF GRANULAR FILL BELOW WALL AND AT STRUCTURE



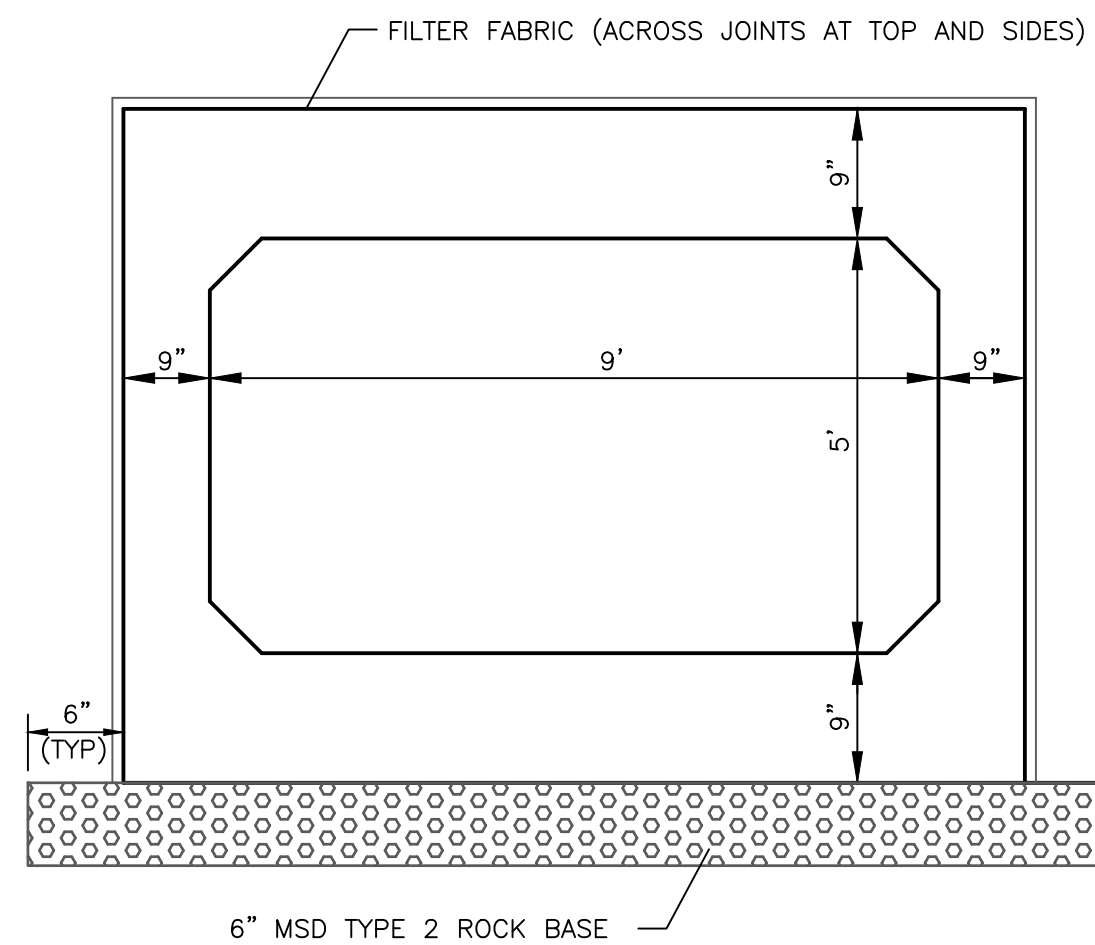
Storm Sewer Profiles
HORIZONTAL SCALE: 1" = 30'
VERTICAL SCALE: 1" = 10'



Storm Sewer Profiles
HORIZONTAL SCALE: 1" = 30'
VERTICAL SCALE: 1" = 10'



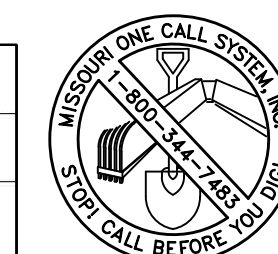
Storm Sewer Profiles
HORIZONTAL SCALE: 1" = 30'
VERTICAL SCALE: 1" = 10'



PRECAST 5'H. x 9'W. CONCRETE BOX CULVERT

NOTE: BOX CULVERT TO BE DESIGNED TO ASTM C-1577 FOR HL-93 LOADING DESIGN SHOULD BE BASED ON 0-2 FEET OF FILL JOINTS AT BOX SECTIONS SHALL BE SEALED WITH 1" MASTIC TAPE

St Charles County Government Hydraulic Review Output Data										W:\VAULTSERVER\Folders\100001\10028P - Scrubblers\Engineering\Hydraulics\10028P.txt Calculations Under Full Flow 7/21/2023														
Upp Str	Low Str	PL S	Upp F/LN	Low F/LN	PS	Upp ST/EL	Depth HYGR	Upp HY/EL	Low HY/EL	Hydr Grade	FR Head	VEL	VEL Head	Junct Loss	Turn Loss	Curve STR Loss	INF Grade	DR Area	PI	Q	TQ	Pipe Cap	Remarks	
1	A1117	CI108	17	482.99	482.82	1.00	487.32	2.78	484.53	484.32	0.00290	0.05	3.17	0.16	0.16	0.00	0.00					5.81	10.50	
2	CI116	MH107	82	482.95	482.13	1.00	487.22	3.33	483.89	483.84	0.00050	0.04	0.97	0.01	0.01	0.00	0.00					0.76	3.56	
3	MH115	MH106	71	482.37	481.66	1.00	487.62	3.95	483.67	483.65	0.00010	0.01	0.64	0.01	0.01	0.00	0.00					1.13	10.50	
4	CI114	GI105	51	481.46	480.95	1.00	485.65	2.21	483.44	483.42	0.00020	0.01	0.71	0.01	0.01	0.00	0.00					0.56	3.56	
5	CI113	MH104	46	481.50	480.56	2.05	485.65	2.49	483.16	483.12	0.00050	0.02	1.04	0.02	0.02	0.00	0.00					0.82	5.10	
6	A1112	MH111	117	482.41	481.24	1.00	487.92	3.79	484.13	483.39	0.00500	0.58	3.22	0.16	0.16	0.00	0.00					2.53	3.56	
7	MH111	CI110	42	481.04	480.85	0.45	485.75	2.36	483.39	483.25	0.00060	0.03	1.43	0.03	0.00	0.11	0.00					2.53	7.05	
8	CI110	GI103	170	480.95	479.80	0.50	483.21	2.96	483.25	483.05	0.0120	0.20	2.09	0.07	0.00	0.00	0.00					3.70	7.43	
9	CI108	CI108	34	483.00	482.82	0.53	486.50	2.17	484.33	484.29	0.00060	0.02	1.08	0.02	0.02	0.00	0.00					0.85	2.59	
10	CI108	MH107	123	482.82	482.13	0.40	486.50	2.21	484.29	484.13	0.00100	0.12	2.24	0.08	0.04	0.00	0.00					7.03	14.31	
11	MH107	MH106	114	481.83	481.47	0.40	487.70	3.86	483.94	483.85	0.00120	0.14	2.48	0.10	0.05	0.00	0.00					7.79	14.31	
12	MH106	GI105	79	481.27	480.95	0.40	486.90	3.25	483.95	483.42	0.00160	0.13	2.84	0.13	0.10	0.00	0.00					8.92	14.31	
13	GI105	MH104	99	480.75	480.36	0.40	485.65	2.23	483.42	483.12	0.00220	0.22	3.36	0.18	0.08	0.00	0.00					10.57	14.31	
14	MH104	GI103	30	480.16	479.80	0.40	483.62	3.50	483.12	483.05	0.00060	0.07	2.32	0.06	0.00	0.00	0.00					11.39	25.94	
15	GI103	FE102	26	479.80	479.50	0.39	485.65	2.60	483.05	482.98	0.00060	0.02	2.23	0.08	0.05	0.00	0.00					15.79	41.85	15YR HW=482.98
16	OS101	EP100	80	478.55	477.95	1.01	484.45	3.37	481.08	480.95	0.00060	0.04	2.34	0.09	0.09	0.00	0.00					16.57	67.03	ITP=480.95

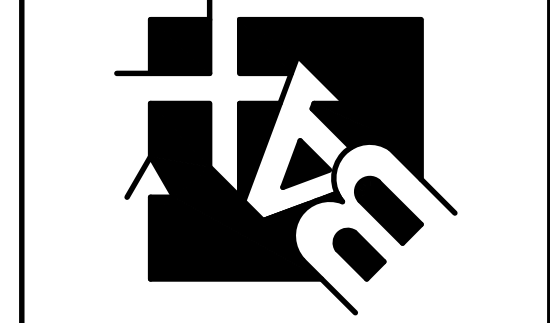


CALL BEFORE YOU DIG!
1-800-DIG-RITE

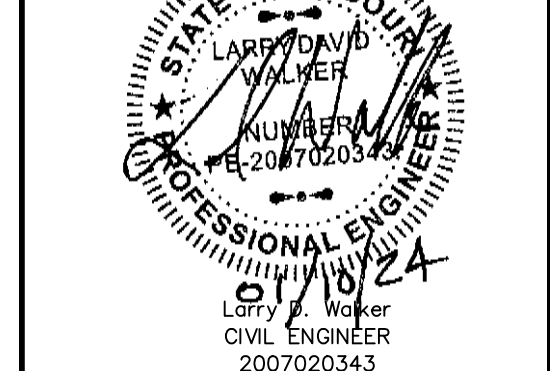
UNDERGROUND UTILITIES HAVE BEEN PLOTTED FROM AVAILABLE INFORMATION AND THEREFORE THEIR LOCATIONS SHALL BE CONSIDERED APPROXIMATE ONLY. THE VERIFICATION OF THE LOCATION OF ALL UNDERGROUND UTILITIES, EITHER SHOWN OR NOT SHOWN ON THESE PLANS SHALL BE THE RESPONSIBILITY OF THE CONTRACTOR, AND SHALL BE LOCATED PRIOR TO ANY GRADING OR CONSTRUCTION OF THE IMPROVEMENTS.

PROJECT TITLE:
CONSTRUCTION PLANS FOR
Scrubblers Car Wash
Highway K
O'Fallon, MO 63368

ENGINEERING PLANNING SURVEYING
221 Point West Blvd.
St. Charles, MO 63301
636-928-5552
FAX 636-928-1718



DISCLAIMER OF RESPONSIBILITY
I hereby certify that the documents intended to be authenticated by my seal are limited to this sheet, and I hereby disclaim any responsibility for all other Drawings, Specifications, Estimates, Reports or other documents or instruments relating to or intended to be used for any part or parts of the architectural or engineering project.



Copyright 2024
Box Engineering Company, Inc.
Authority No. 000855
All Rights Reserved

REVISIONS

08-03-23	FORCE MAIN
09-13-23	CONTRACTOR/PWSDD COMMENTS
09-27-23	CAST-IN-PLACE RETAINING WALL
10-26-23	CITY COMMENTS
11-08-23	PAY CANOPY REV.
12-06-23	CITY COMMENTS
12-13-23	PWSDD COMMENTS
12-18-23	MODOT COMMENTS
01-10-24	LIGHT STANDARDS

Developer / Owner:
Tifton Car Wash, L.L.C.
P.O. Box 7726
Tifton, GA 31793
(229) 520-2244

P+Z No. 22-007743
Approved: 10-06-22
City No. #

Page No.
14 of 18

STORM SEWER PROFILES

Box Project # 68-10028P Issue Date: 07/21/2023