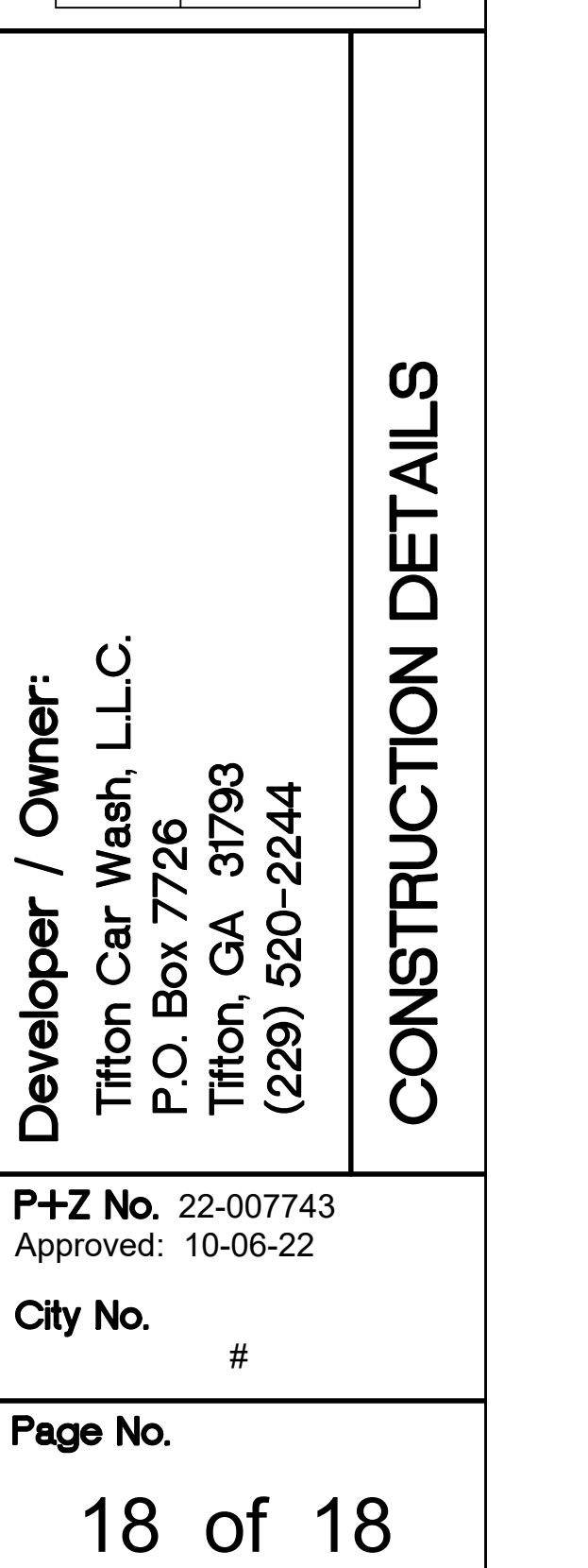
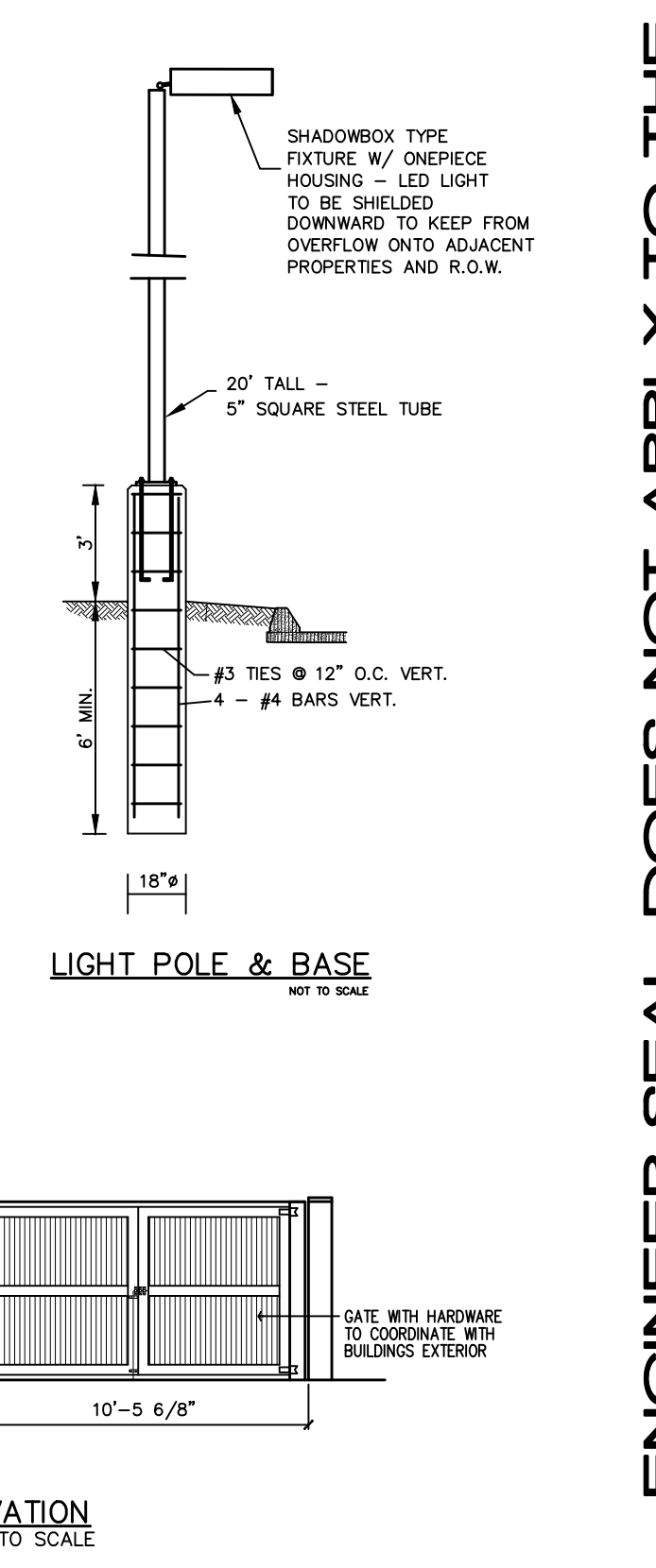
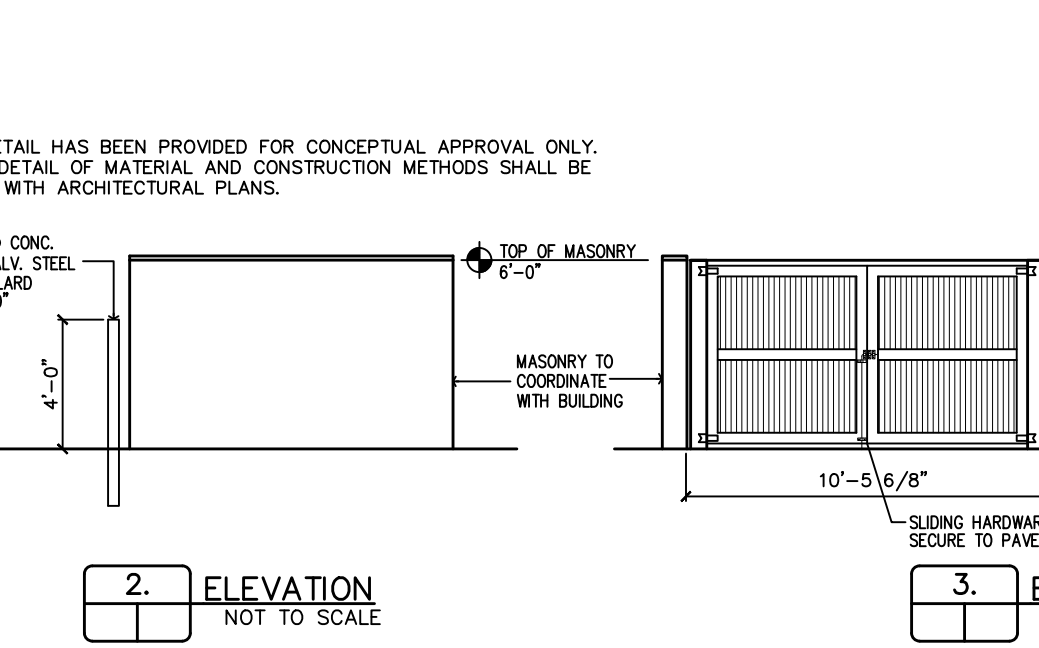
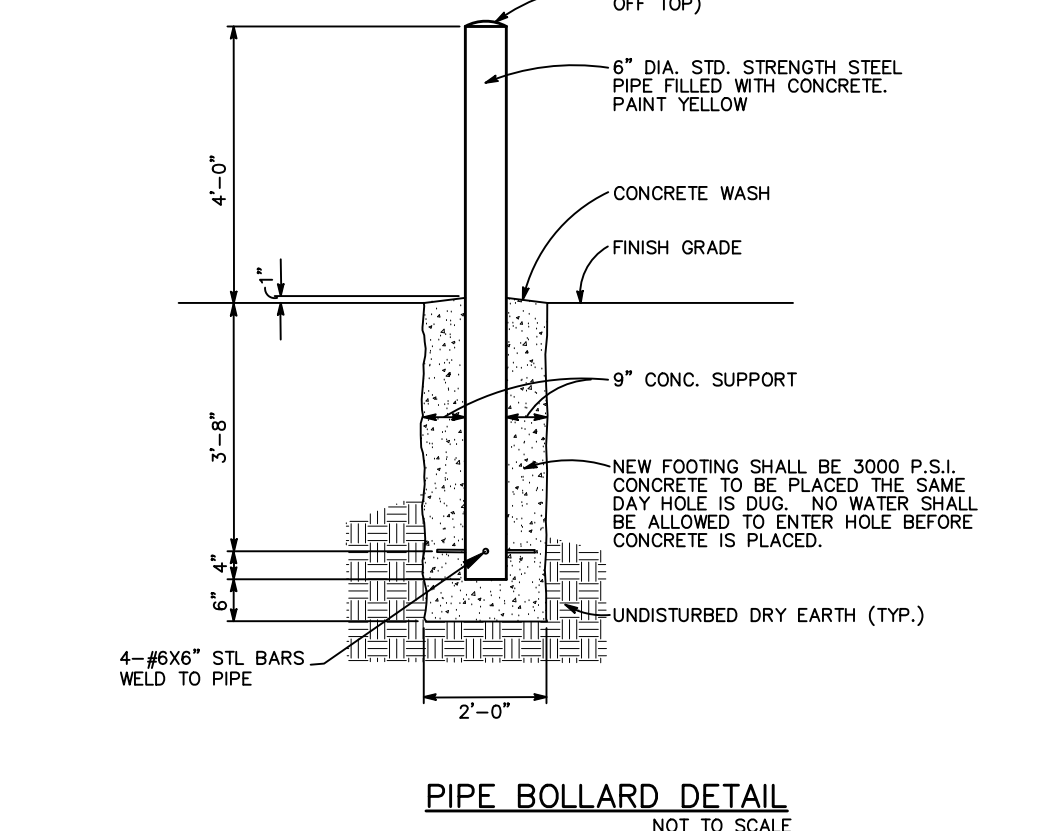
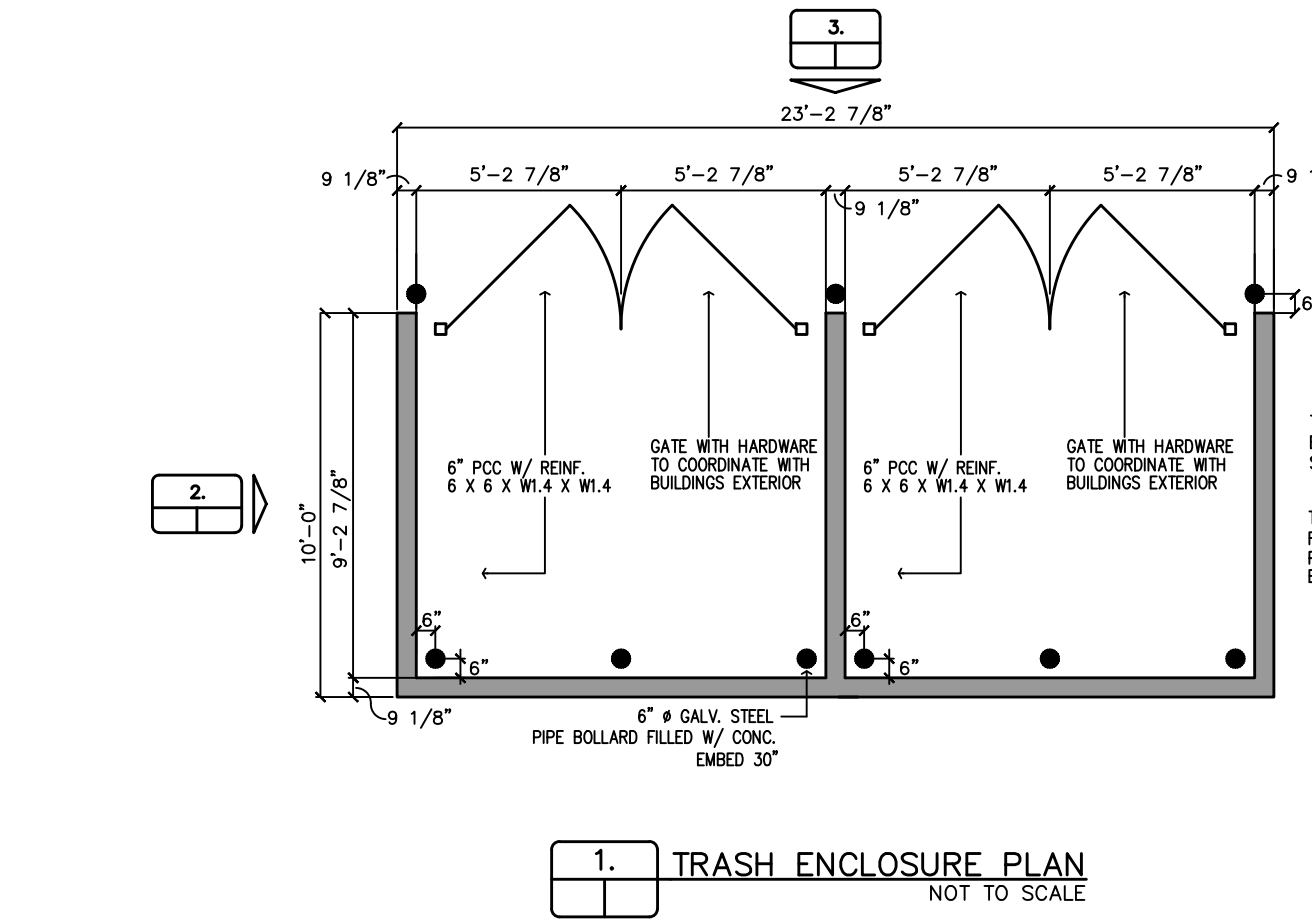
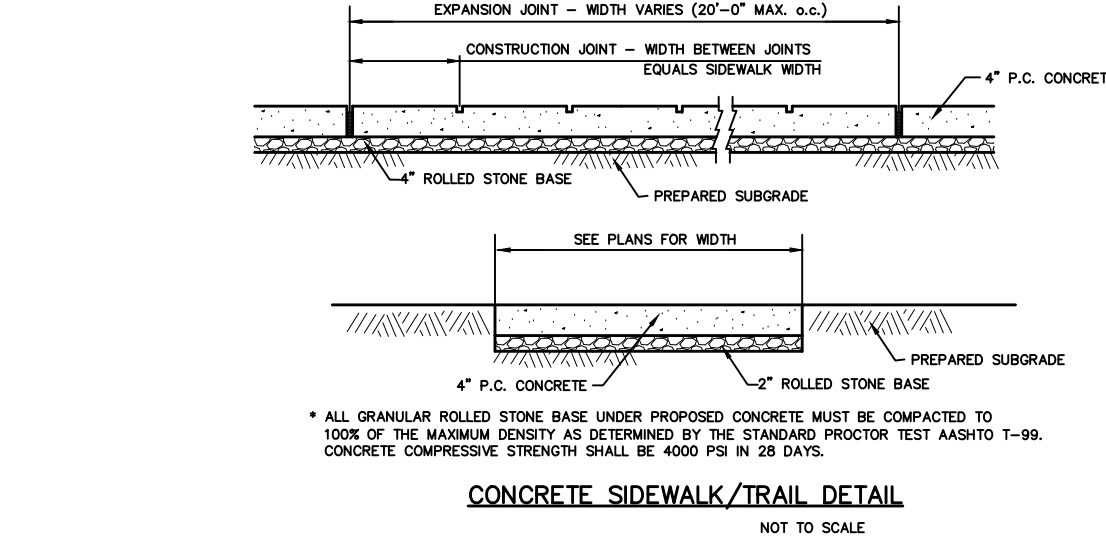


U-Rack Bike Rack Model: 543-1054
Specifications Page 1
the park AND FACILITIES CATALOG

Product Details:
Dimensions Length 24" / Depth 1.9" / Height 36" (46" In Ground) / Mounting Plates 6"
Weight Surface Mount: 19-lbs In-ground: 22-lbs
Styling Contemporary
Capacity Holds 2 Bikes
Finish Durable baked-on powder coat or hot dipped galvanized
Construction Standard-Duty 1.5" Schedule 40 Pipe (1.9" OD) Steel

Surface Mount: Bolts through bottom plate into pre-drilled concrete into ground anchors. Use appropriate length and size bolt for local requirements.

In-ground Mount: Embedded in hole filled with concrete. Depth of the hole varies depending on local code. Depth varies depending on local code.



ENGINEER SEAL DOES NOT APPLY TO THE PARK AND FACILITIES BIKE RACK AND CITY OF FALLON DETAILS

PROJECT TITLE:
CONSTRUCTION PLANS FOR
Scrubbles Car Wash
Highway K
O'Fallon, MO 63368

ENGINEERING PLANNING SURVEYING
221 Point West Blvd.
St. Charles, MO 63301
636-928-5552
FAX 636-928-1718

DISCLAIMER OF RESPONSIBILITY
I hereby certify that the documents intended to be authenticated by my seal are limited to this sheet, and I hereby disclaim any responsibility for all other drawings, specifications, estimates, reports or other documents or instruments relating to or intended to be used for any part or parts of the architectural or engineering project.

PROFESSIONAL ENGINEER
LARRY P. WICKER
CIVIL ENGINEER
2007020343
Copyright 2024
Box Engineering Company, Inc.
Authority No. 000855
All Rights Reserved

REVISIONS

08-03-23	FORCE MAIN
09-13-23	CONTRACTOR/PWS
09-27-23	COMMENTS
10-26-23	CITY COMMENTS
11-08-23	PAY CANOPY REV.
12-06-23	CITY COMMENTS
12-13-23	PWS COMMENTS
12-18-23	MODOT COMMENTS
01-10-24	LIGHT STANDARDS

Developer / Owner:
Tifton Car Wash, L.L.C.
P.O. Box 7726
Tifton, GA 31793
(229) 520-2244

P+Z No. 22-007743
Approved: 10-06-22
City No. #
Page No. 18 of 18

CONSTRUCTION DETAILS

Issue Date: 07/21/2023