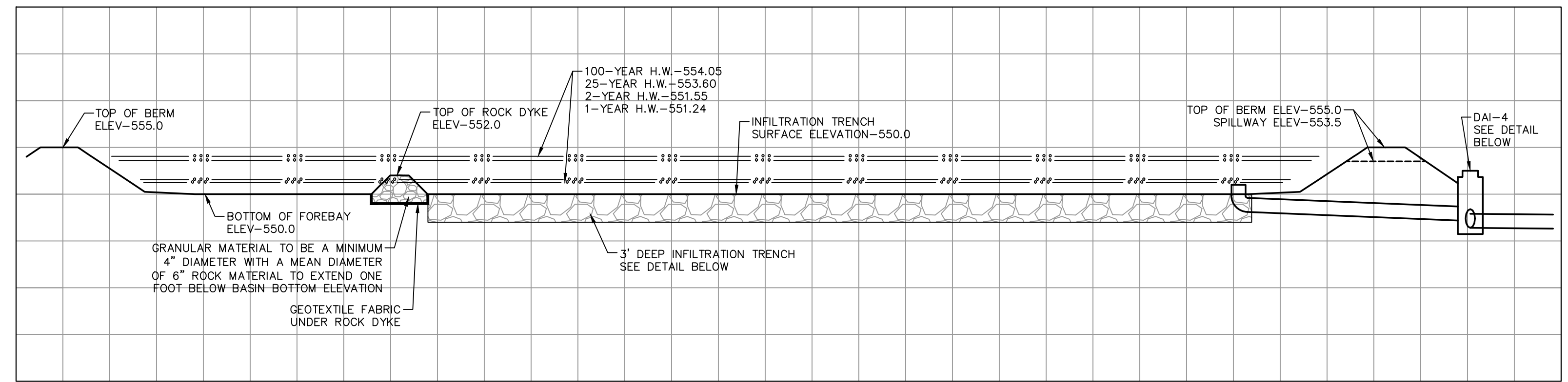
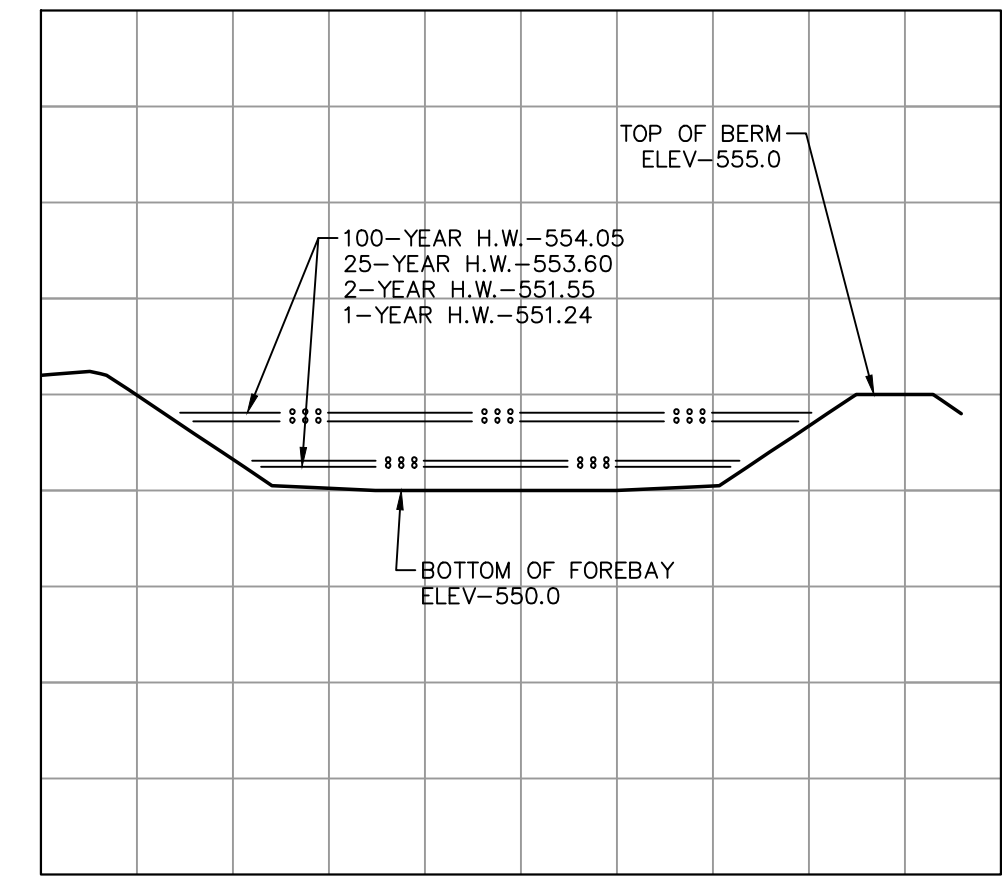


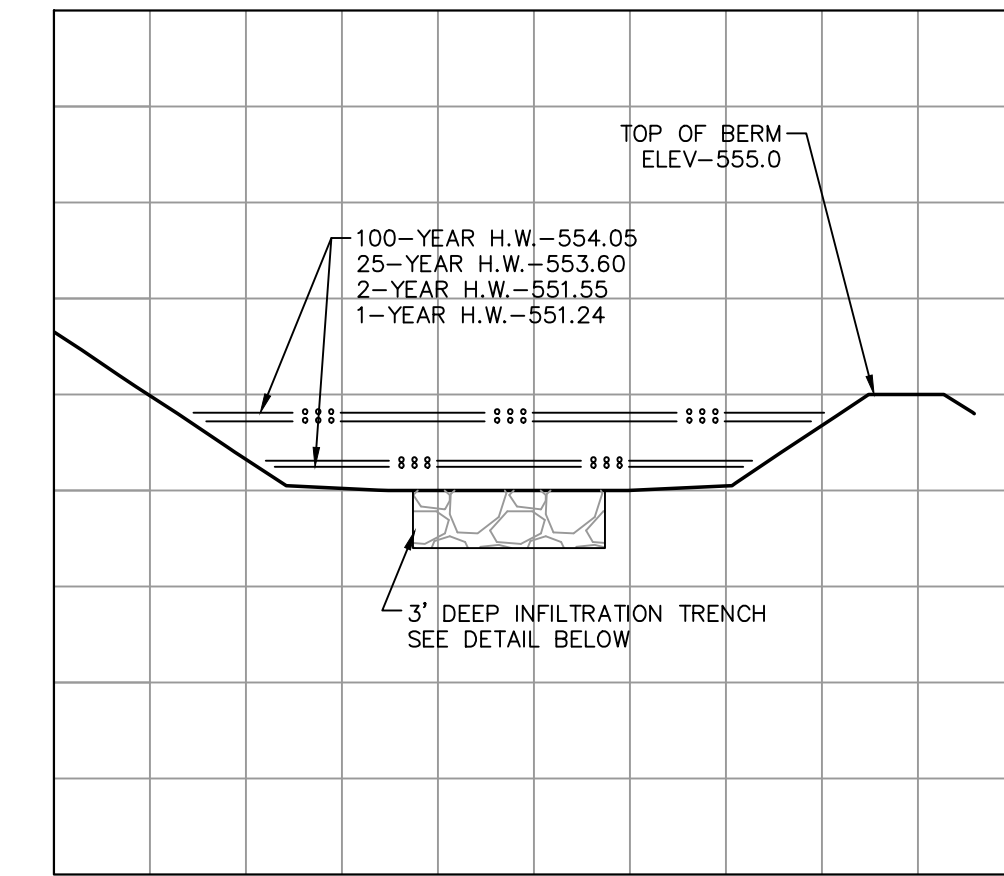
ISSUE	DATE / REMARKS
1	3-3-2015 Initial Submittal
2	5-7-2015 City Comments
3	6-26-2015 City & PWSO #2 Comments
4	11-9-2015 City Comments
5	12-10-2015 City Comments



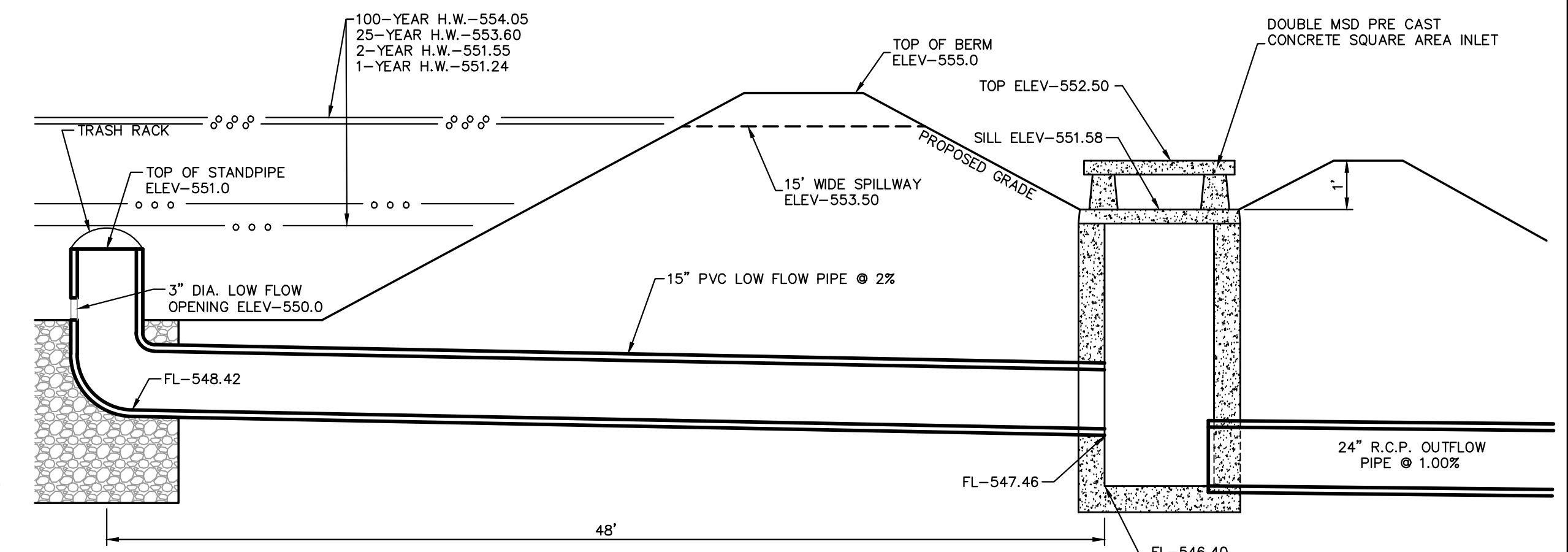
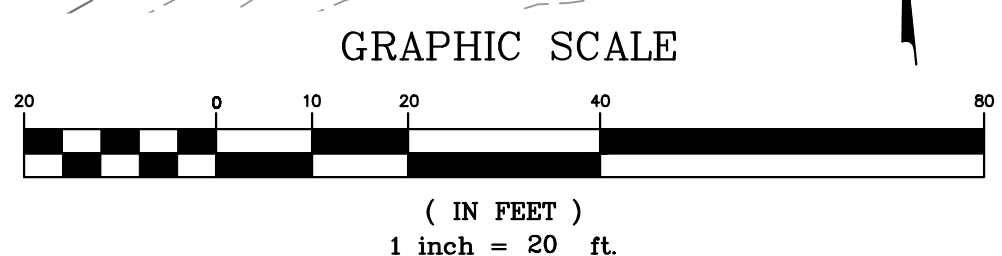
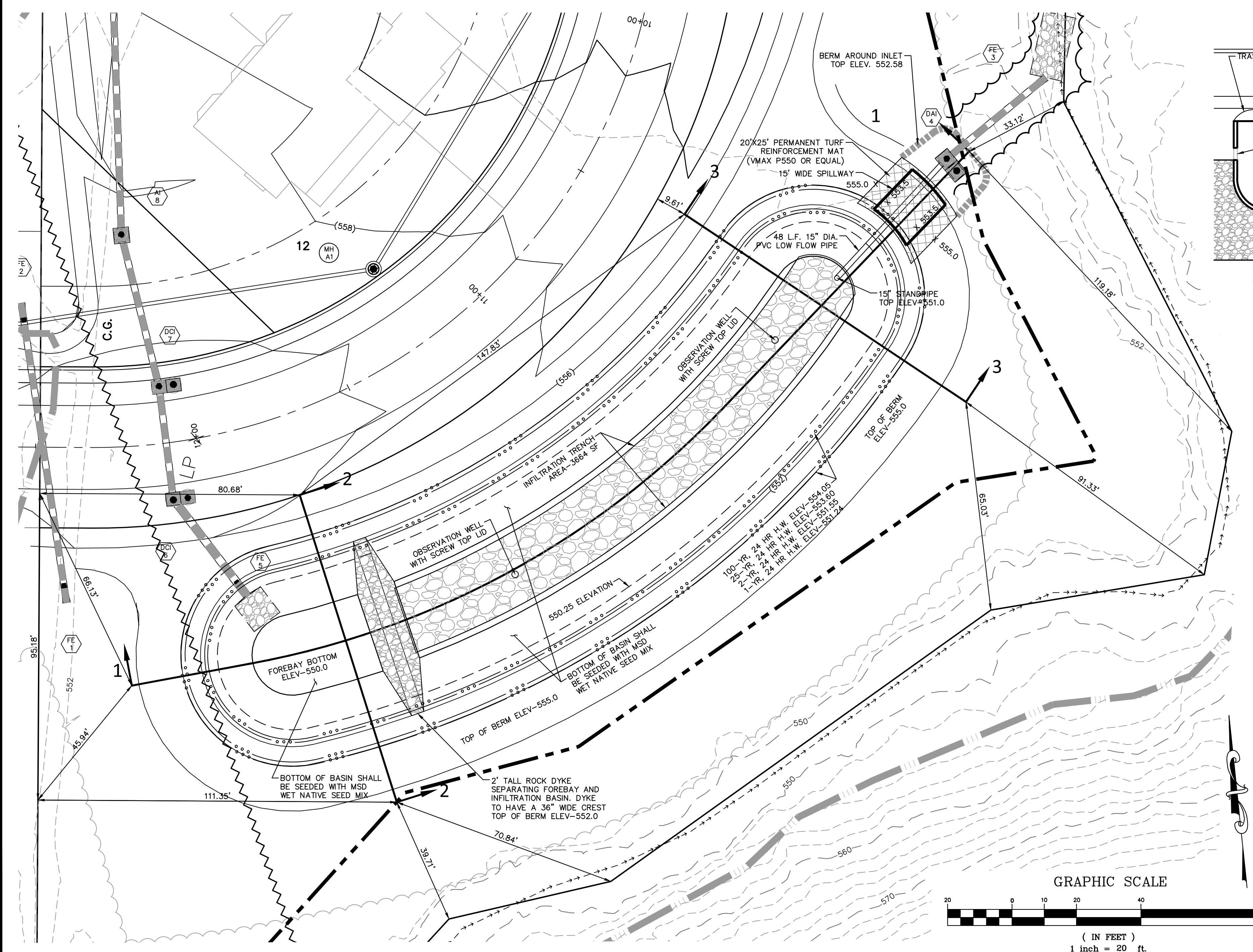
BASIN-A SECTION 1-1
SCALE 1"=20' HORIZ.
1"=10' VERT.



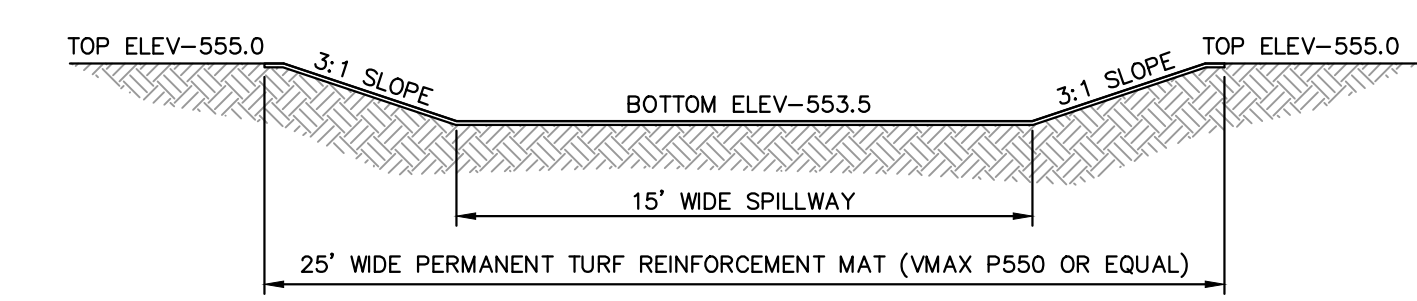
BASIN-A SECTION 2-2
SCALE 1"=20' HORIZ.
1"=10' VERT.



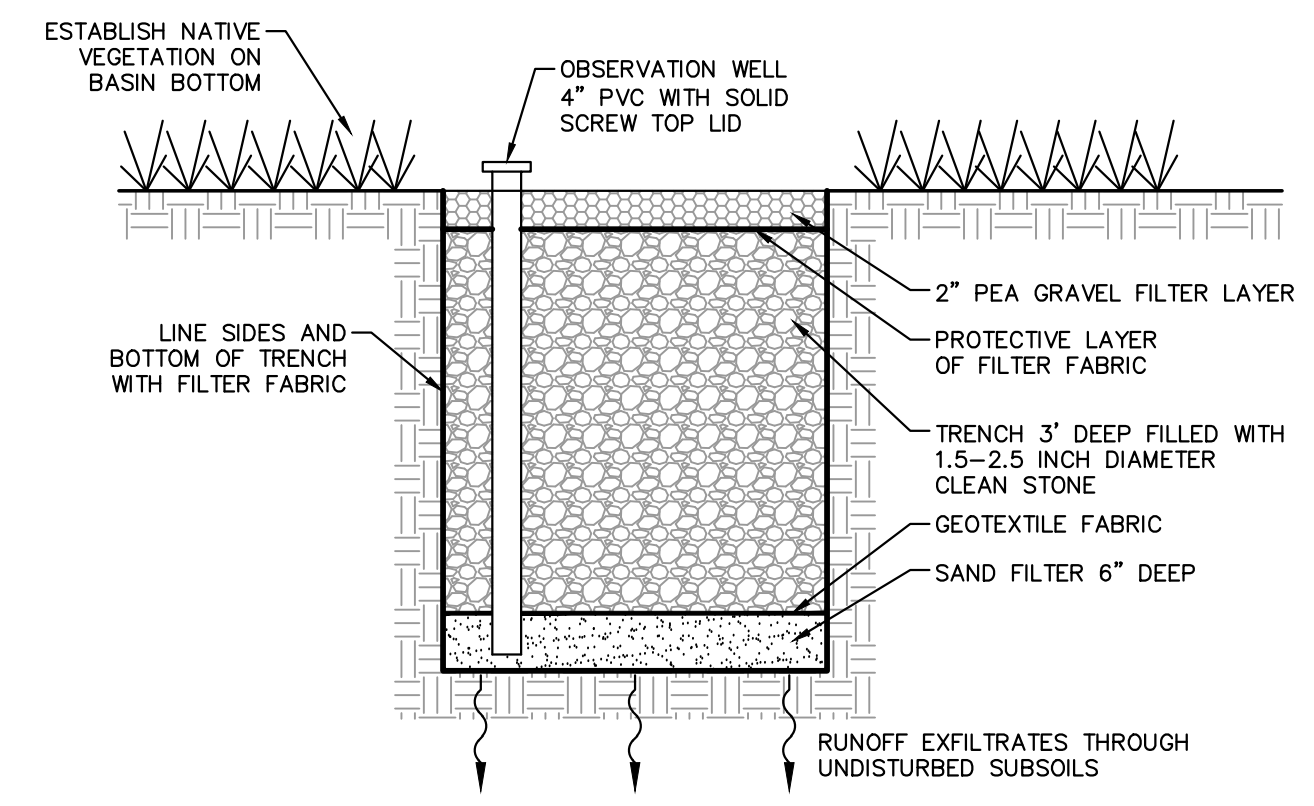
BASIN-A SECTION 3-3
SCALE 1"=20' HORIZ.
1"=10' VERT.



DOUBLE AREA INLET 4
SIDE SECTION
N.T.S.



SPILLWAY CROSS SECTION
N.T.S.



INFILTRATION TRENCH DETAIL
N.T.S.

WATER QUALITY NOTE:
WATER QUALITY VOLUME IS ACHIEVED FOR BASIN A WITHIN THE VOIDS OF THE INFILTRATION TRENCH.

PROJECT TITLE
The Villages at
Shady Creek
OFFALON, MISSOURI

THE STERLING CO.
ENGINEERS & SURVEYORS
5055 New Baumgartner Road
St. Louis, Missouri 63129
Ph 314-487-0440 Fax 314-487-8944
www.sterling-eng-sur.com
Corporate Certificate of Authority #001348



Date: 12/10/2015
RODNEY ARNOLD
LICENSE # PE-2002016612
Civil Engineer

Lombardo Homes of St. Louis, LLC
2299 Technology Drive, Suite 150
O'Fallon, Missouri 63366
Ph. (636) 265-2710
Fax (636) 695-3195
www.lombardohomesstlouis.com

P+Z No. P&Z NO
City No. 15-162-SP
Date: 12/10/2015
Job No. 14-03-087

Page No.
10.1
IMP