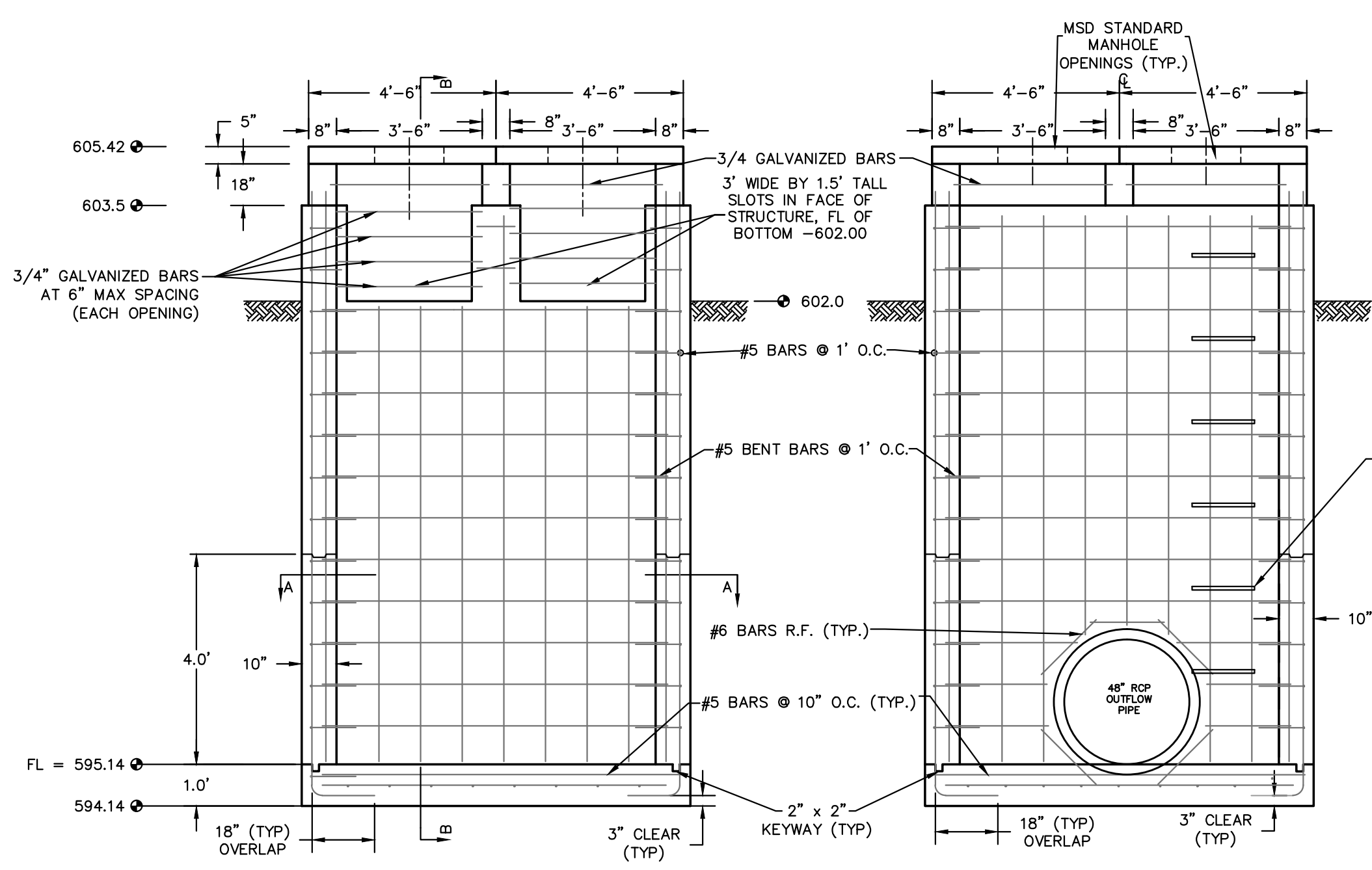
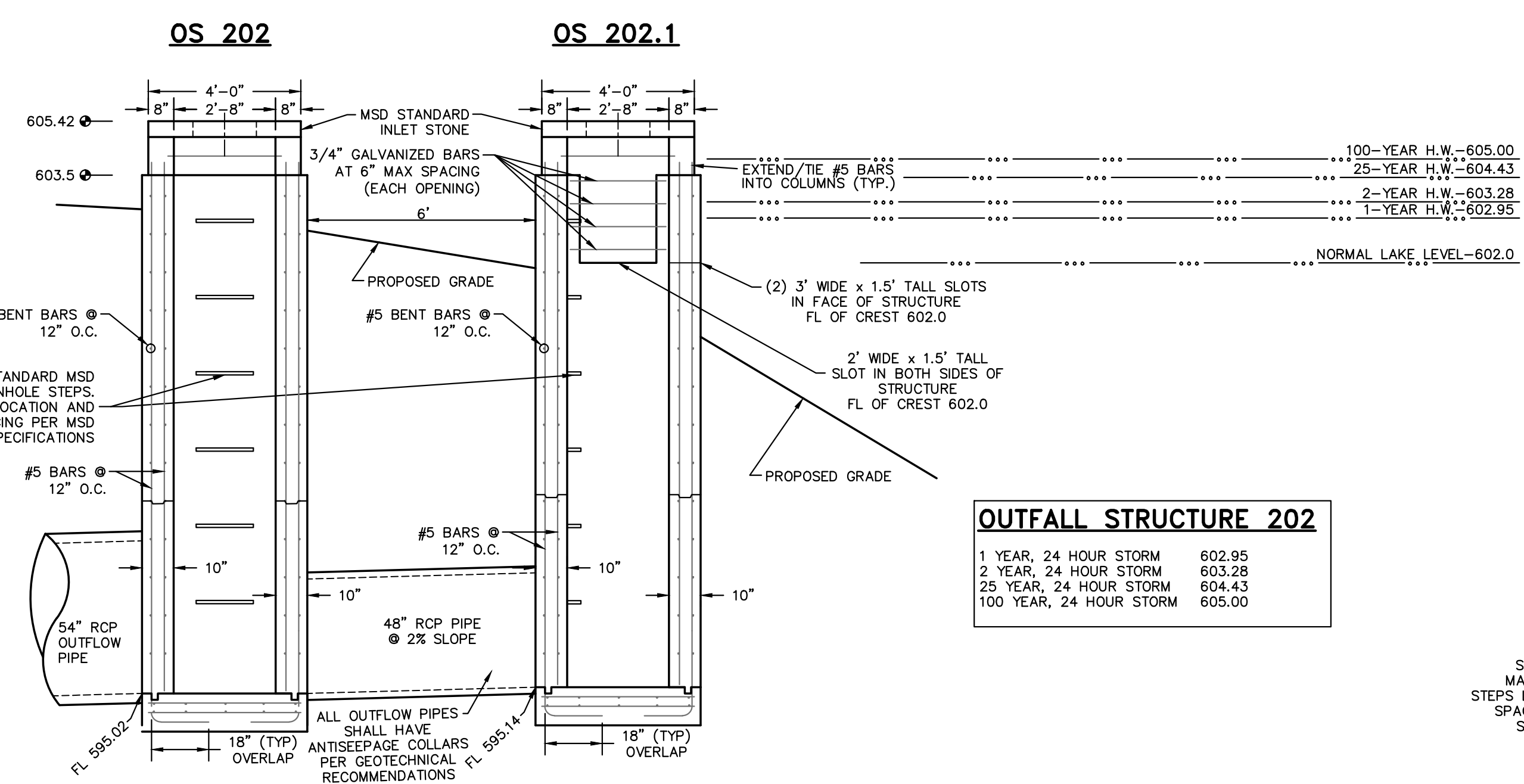


ISSUE	DATE / REMARKS
1	3-3-2015 Initial Submittal
2	5-7-2015 City Comments
3	6-26-2015 City & PWSO #2 Comments
4	11-9-2015 City Comments
5	12-10-2015 City Comments
6	6-14-2016 Contractor Revisions

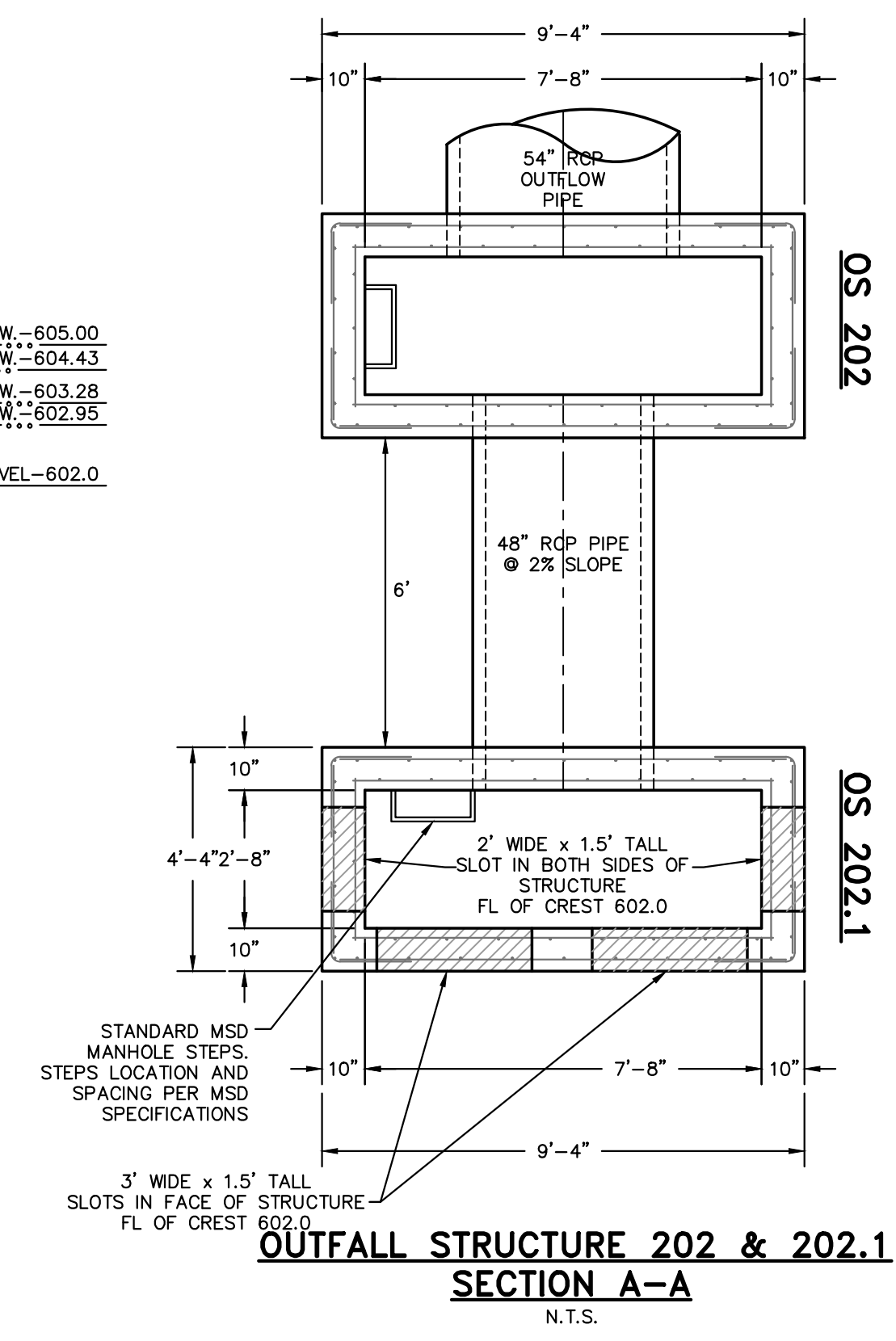


OUTFALL STRUCTURE 202.1
FRONT ELEVATION
N.T.S.

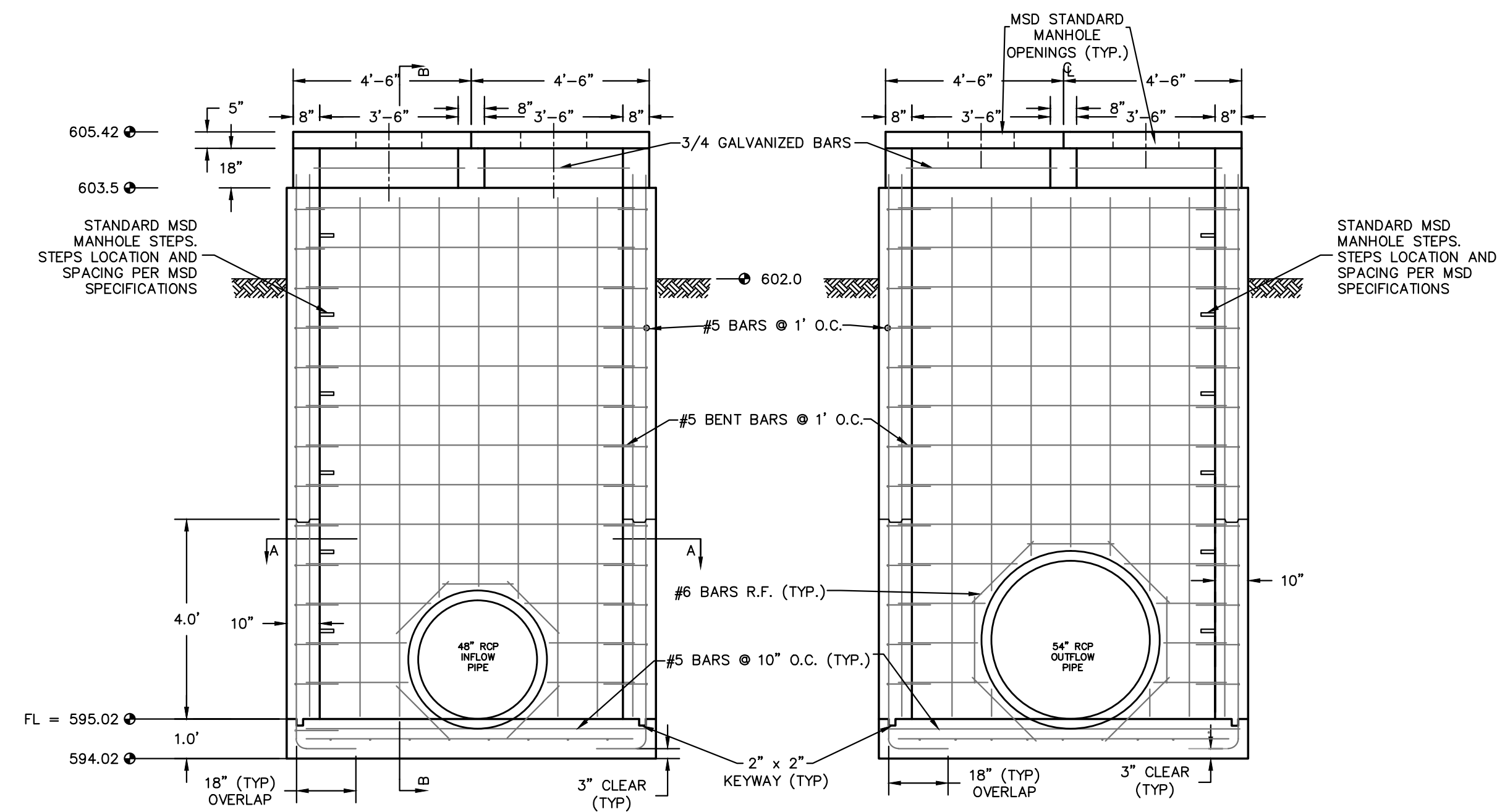
OUTFALL STRUCTURE 202.1
REAR ELEVATION
N.T.S.



OUTFALL STRUCTURE 202
1 YEAR, 24 HOUR STORM 602.95
2 YEAR, 24 HOUR STORM 603.28
25 YEAR, 24 HOUR STORM 604.43
100 YEAR, 24 HOUR STORM 605.00



OUTFALL STRUCTURE 202 & 202.1
SECTION A-A
N.T.S.



OUTFALL STRUCTURE 202
FRONT ELEVATION
N.T.S.

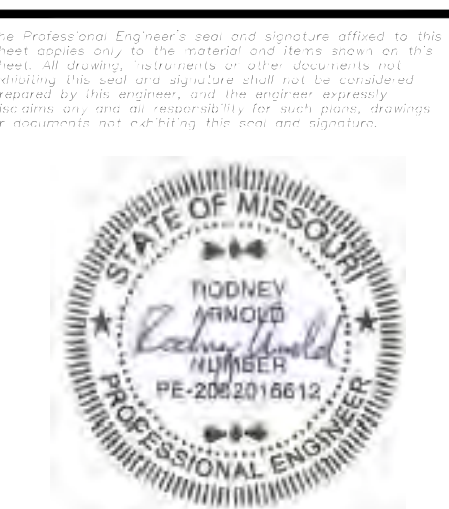
OUTFALL STRUCTURE 202
REAR ELEVATION
N.T.S.

NOTE: IF A-LOCKS ARE NOT USED THEN A CONCRETE COLLAR SHALL BE USED AROUND THE OUTSIDE OF THE STRUCTURE AND FINISHED OFF FLUSH ON THE INSIDE. THE CONCRETE COLLAR SHALL BE A MINIMUM 6" THICK ALL THE WAY AROUND THE CONNECTION.

PROJECT TITLE

The Villages at
Shady Creek
OFFALON, MISSOURI

THE STERLING CO.
ENGINEERS & SURVEYORS
5055 New Baumgartner Road
St. Louis, Missouri 63129
Ph 314-487-0440 Fax 314-487-8944
www.sterling-eng-sur.com
Corporate Certificate of Authority #001348



Date: 6/14/2016
RODNEY ARNOLD
LICENSE # PE-2002016612
Civil Engineer

Lombardo Homes of St. Louis, LLC
2299 Technology Drive, Suite 150
Offalton, Missouri 63368
Ph. (636) 265-2710
Fax (636) 695-3195
www.lombardohomesstlouis.com

BASIN E

P+Z No. P&Z NO
City No. 15-162-SP
Date: 6/14/2016
Job No. 14-03-087

Page No.
10.8

IMP

Drawing name: V:\140387_GolfFTHDrawings\Improvements\3027\WP.dwg Plotted on: Jun 14, 2016 9:53:26am Plotted by: jghinny