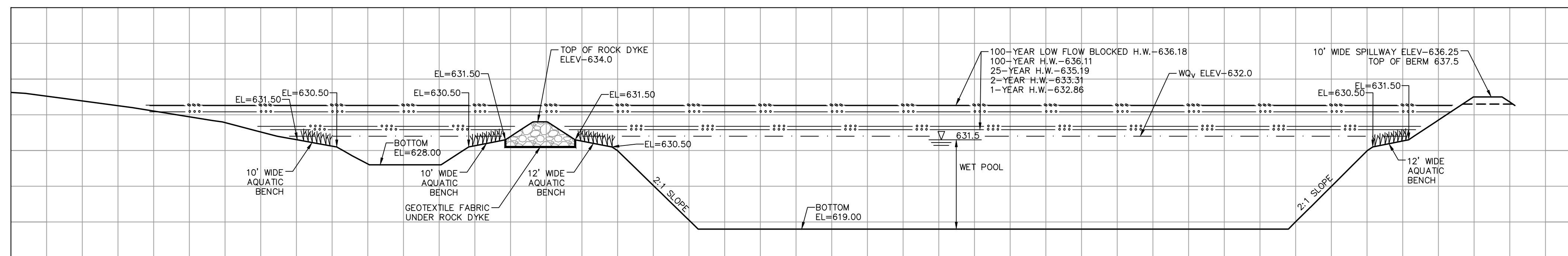
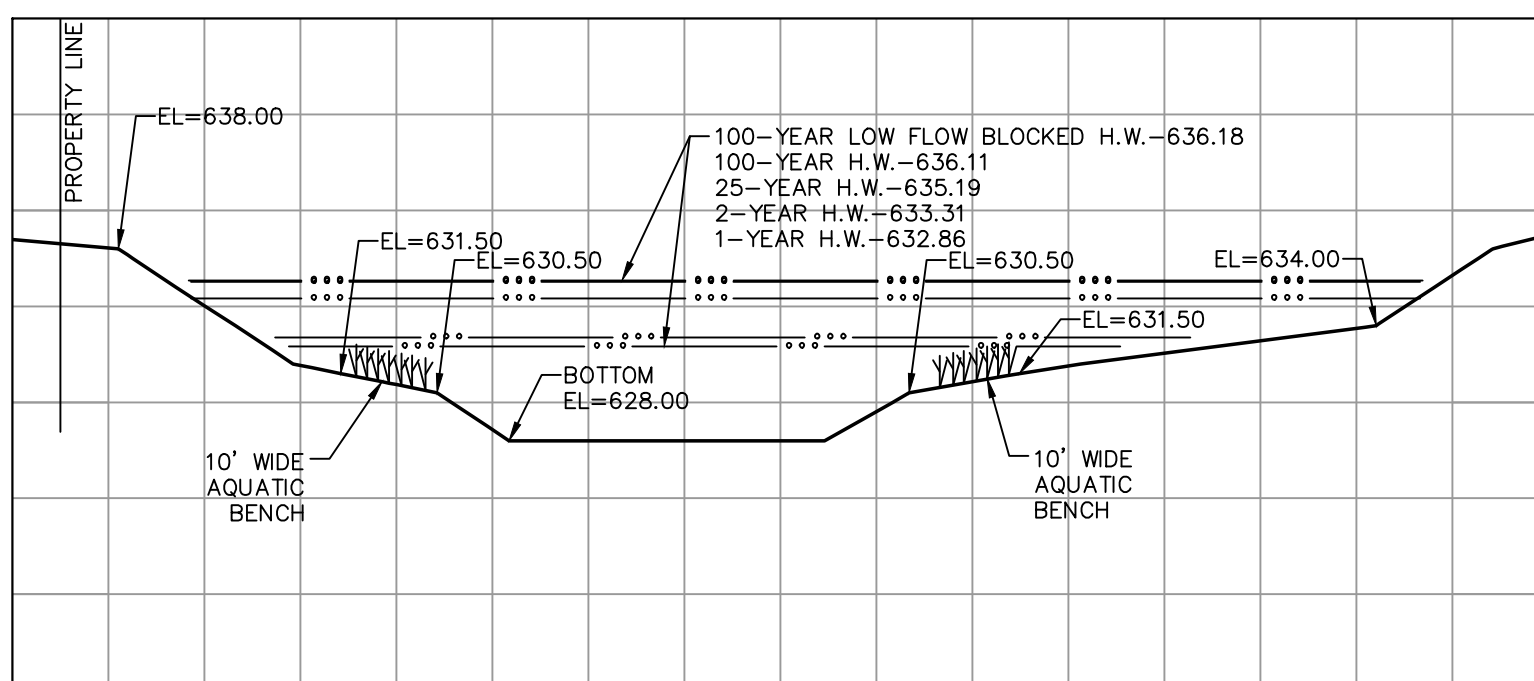


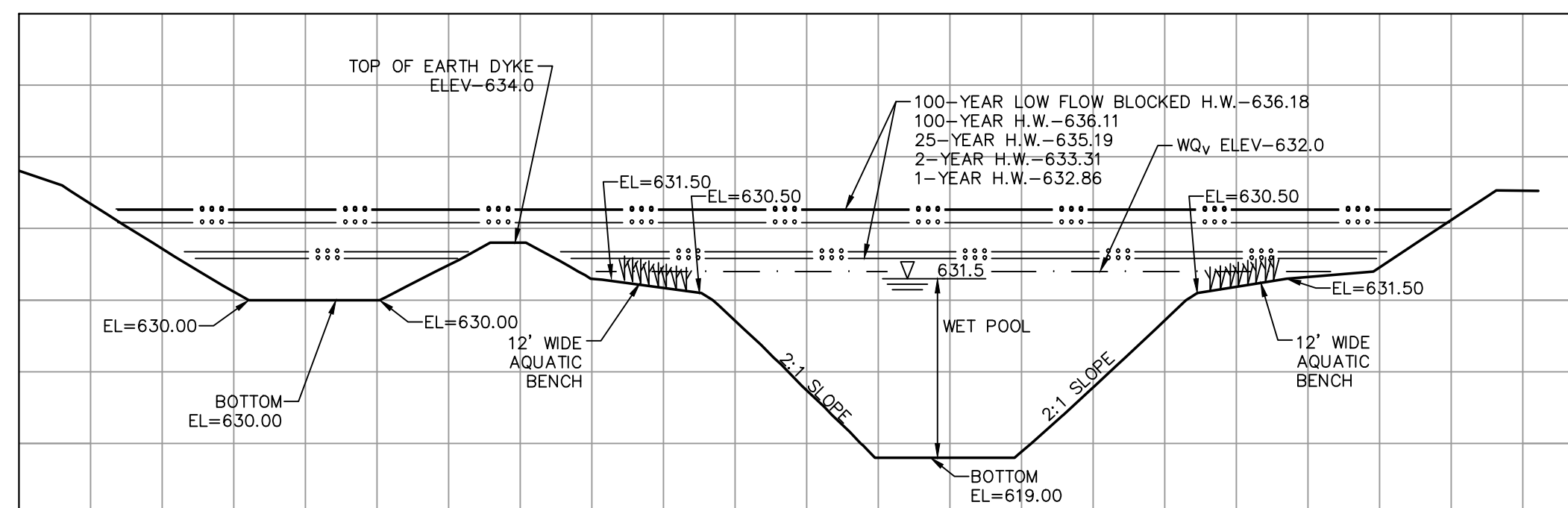
ISSUE	DATE / REMARKS
1	3-3-2015 Initial Submittal
2	5-7-2015 City Comments
3	6-26-2015 City & PWSD #2 Comments
4	11-9-2015 City Comments
5	12-10-2015 City Comments



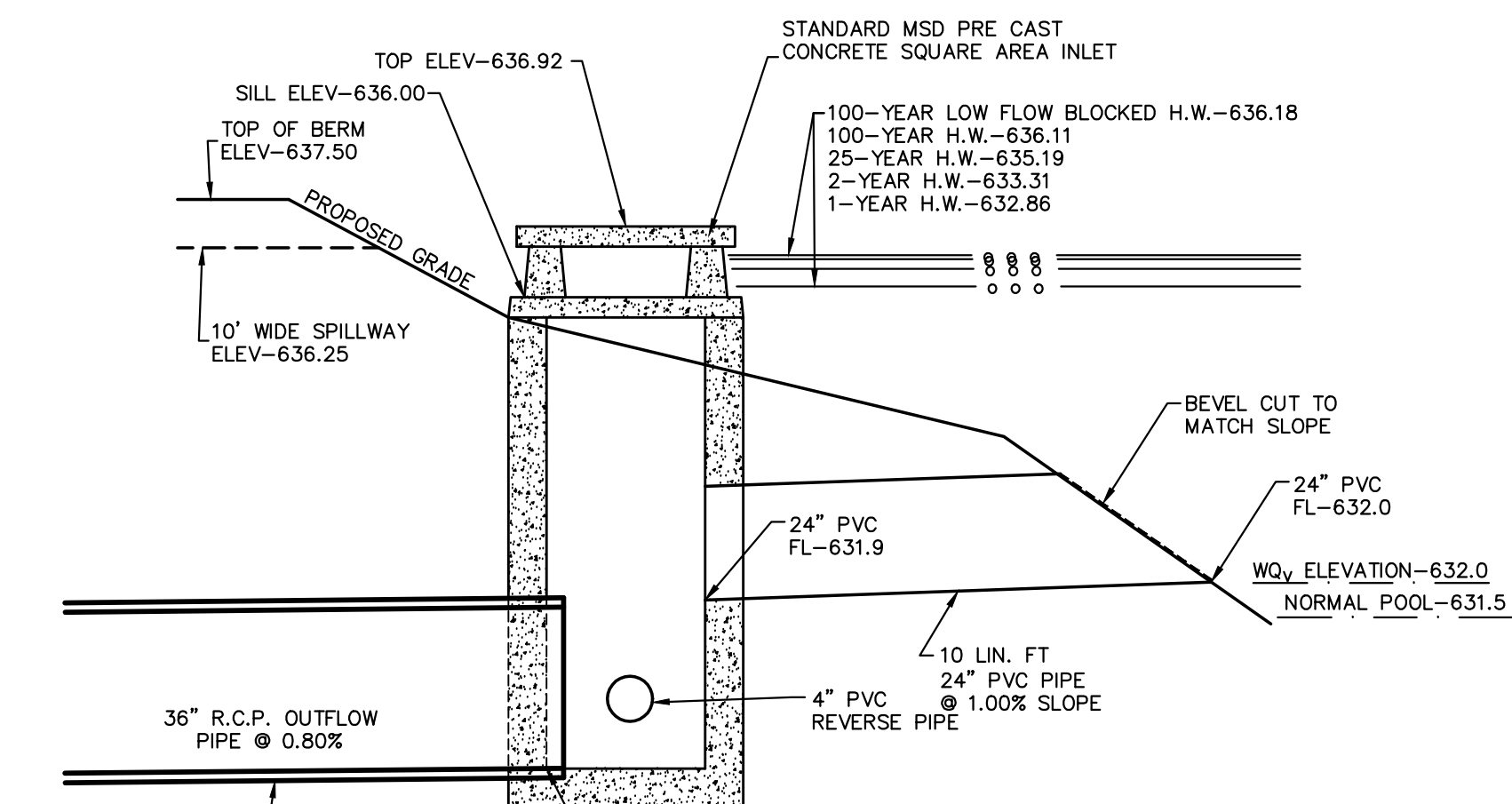
BASIN-G SECTION 19-19
SCALE 1"=20' HORIZ.
1"=10' VERT.



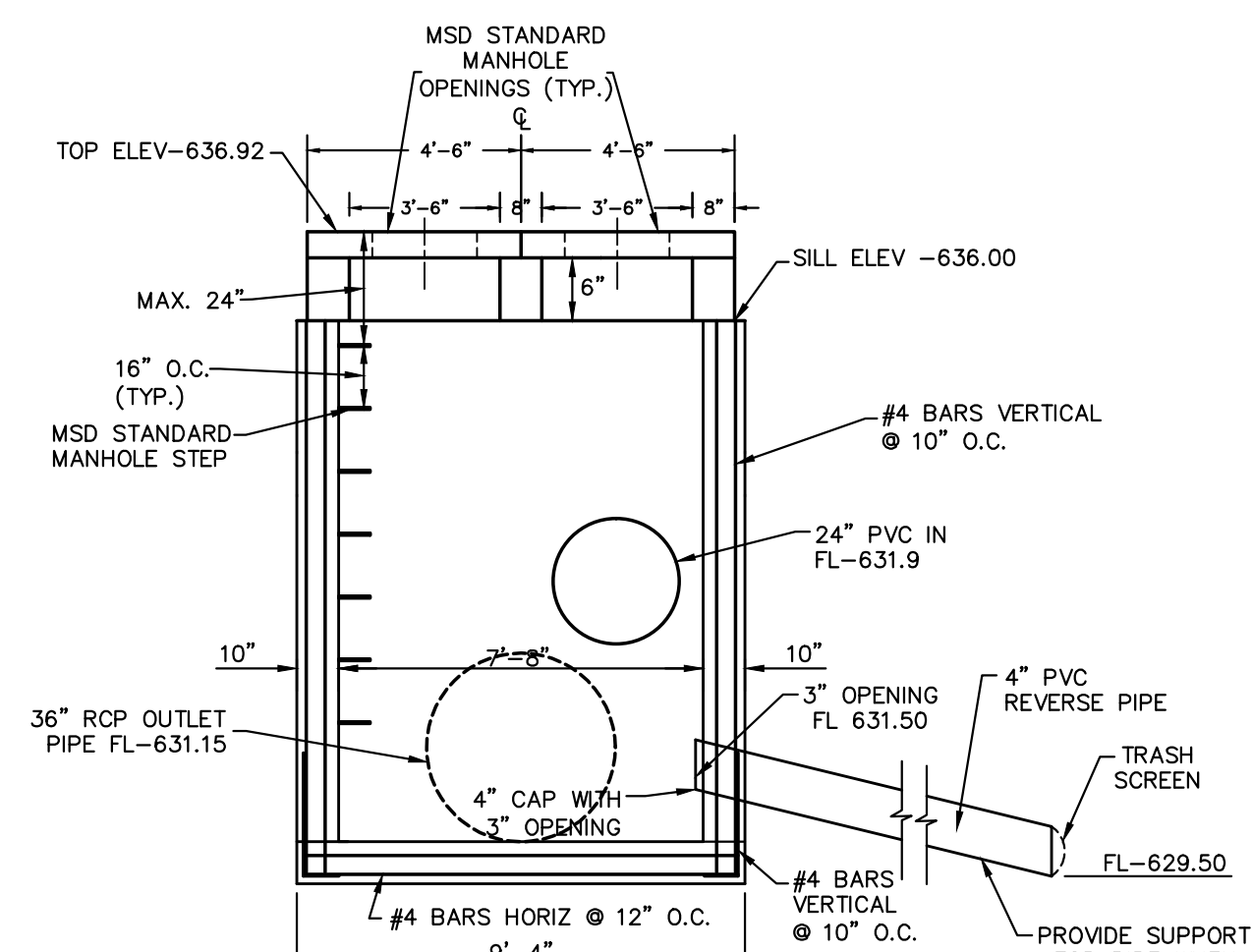
BASIN-G SECTION 20-20
SCALE 1"=20' HORIZ.
1"=10' VERT.



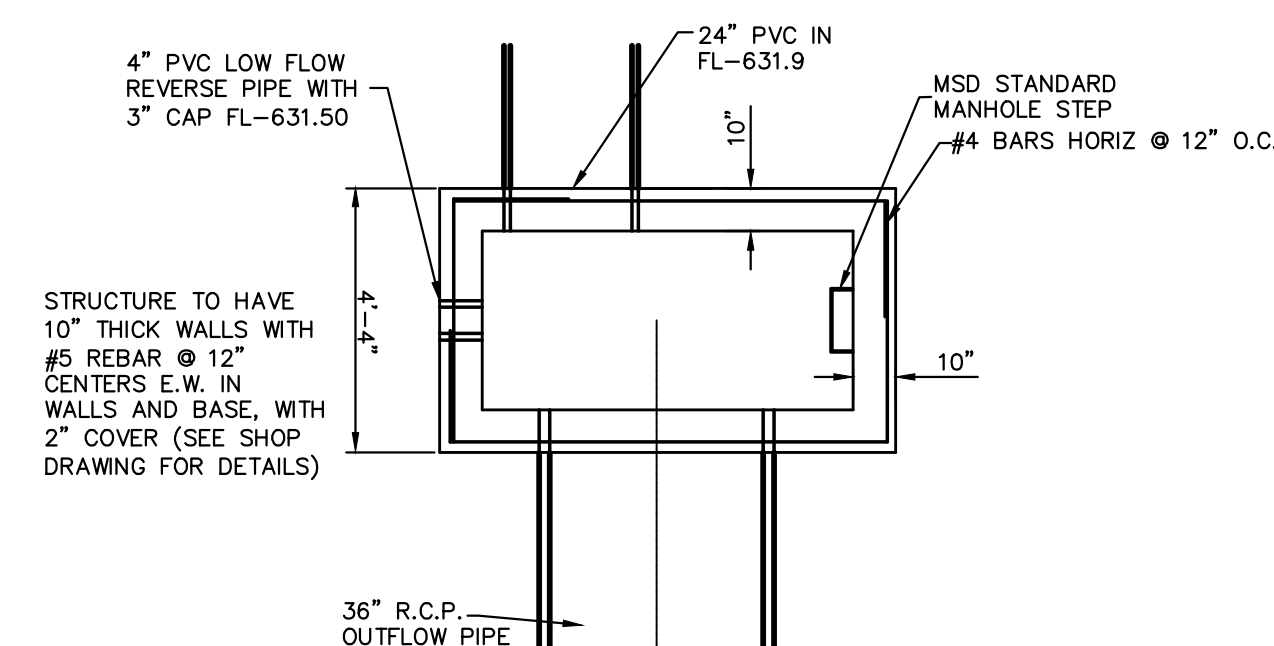
BASIN-G SECTION 21-21
SCALE 1"=20' HORIZ.
1"=10' VERT.



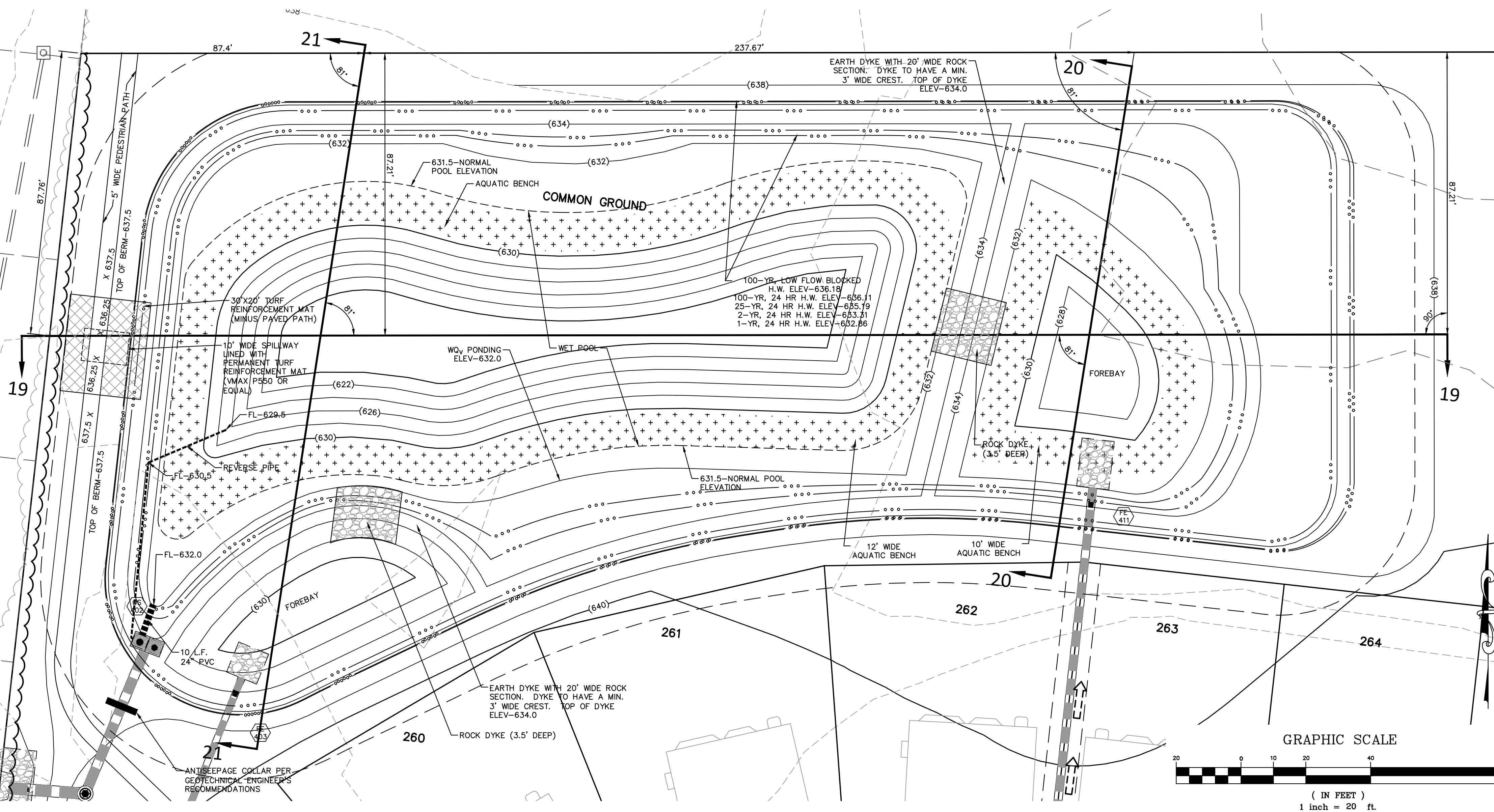
OUTFALL STRUCTURE 402
SIDE SECTION
N.T.S.



OUTFALL STRUCTURE 402
FRONT VIEW
N.T.S.



OUTFALL STRUCTURE 402
PLAN VIEW
N.T.S.



PROJECT TITLE

The Villages at
Shady Creek

OFFALON, MISSOURI

THE **STERLING** CO.
ENGINEERS & SURVEYORS

5055 New Baumgartner Road
St. Louis, Missouri 63129
Ph 314-487-0440 Fax 314-487-8944
www.sterling-eng-survey.com
Corporate Certificate of Authority #001348

Date: 12/10/2015
RODNEY ARNOLD
LICENSE # PE-2002016612
Civil Engineer

Lombardo Homes of St. Louis, LLC
2299 Technology Drive, Suite 150
OFallon, Missouri 63366
Ph: (636) 265-2710
Fax: (636) 695-3195
www.lombardohomesstlouis.com

BASIN G

P+Z No. P&Z NO
City No. 15-162-SP
Date: 12/10/2015
Job No. 14-03-087

Page No.
10.11

IMP