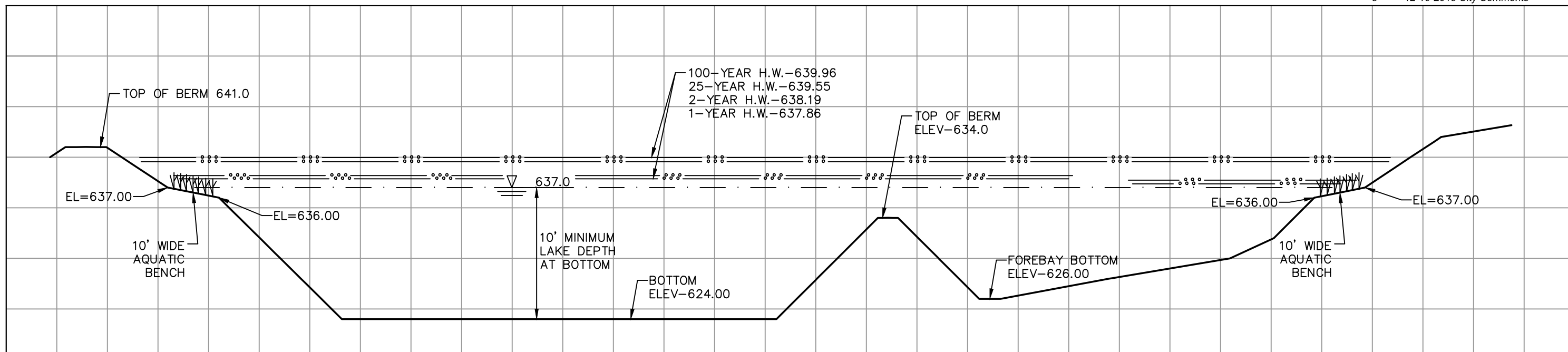
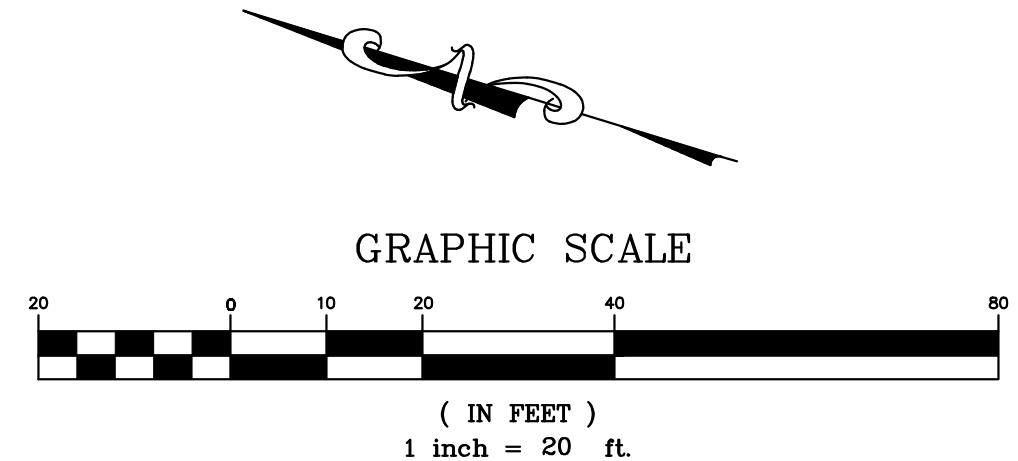
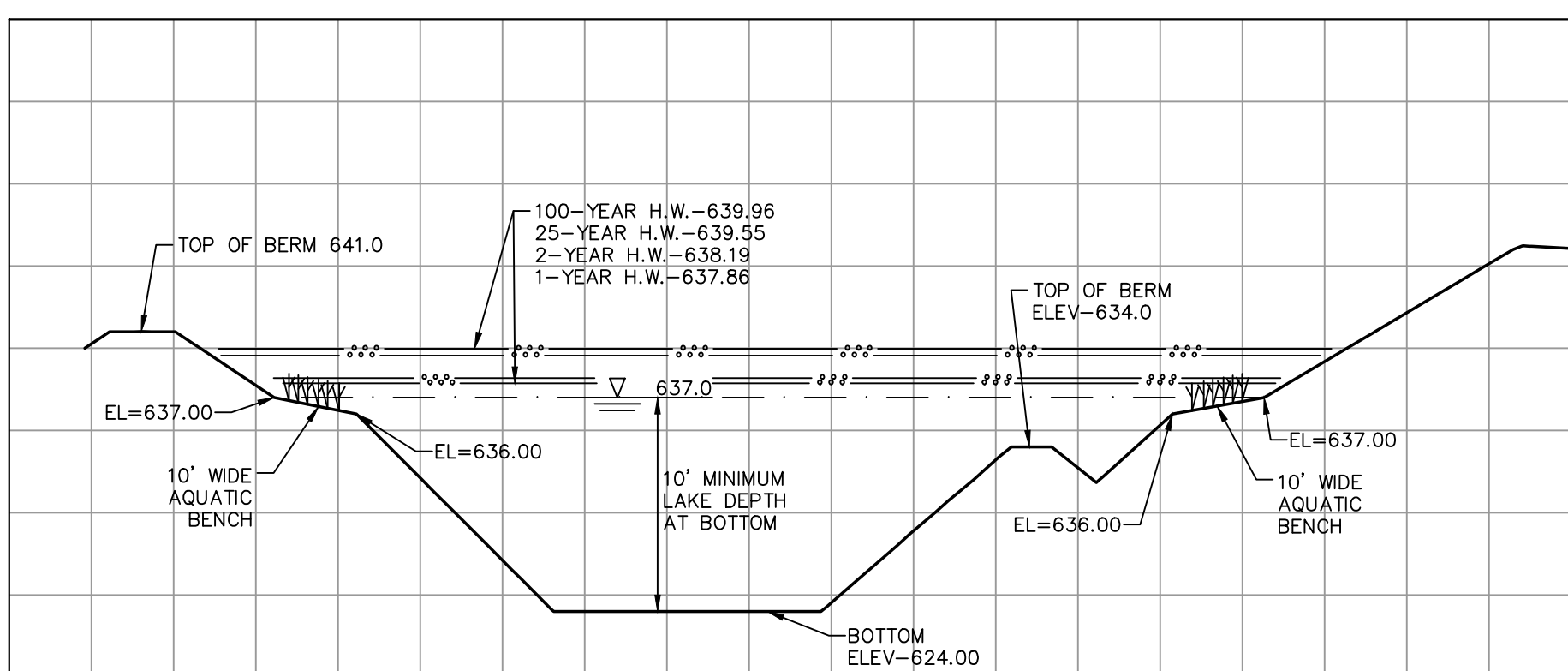


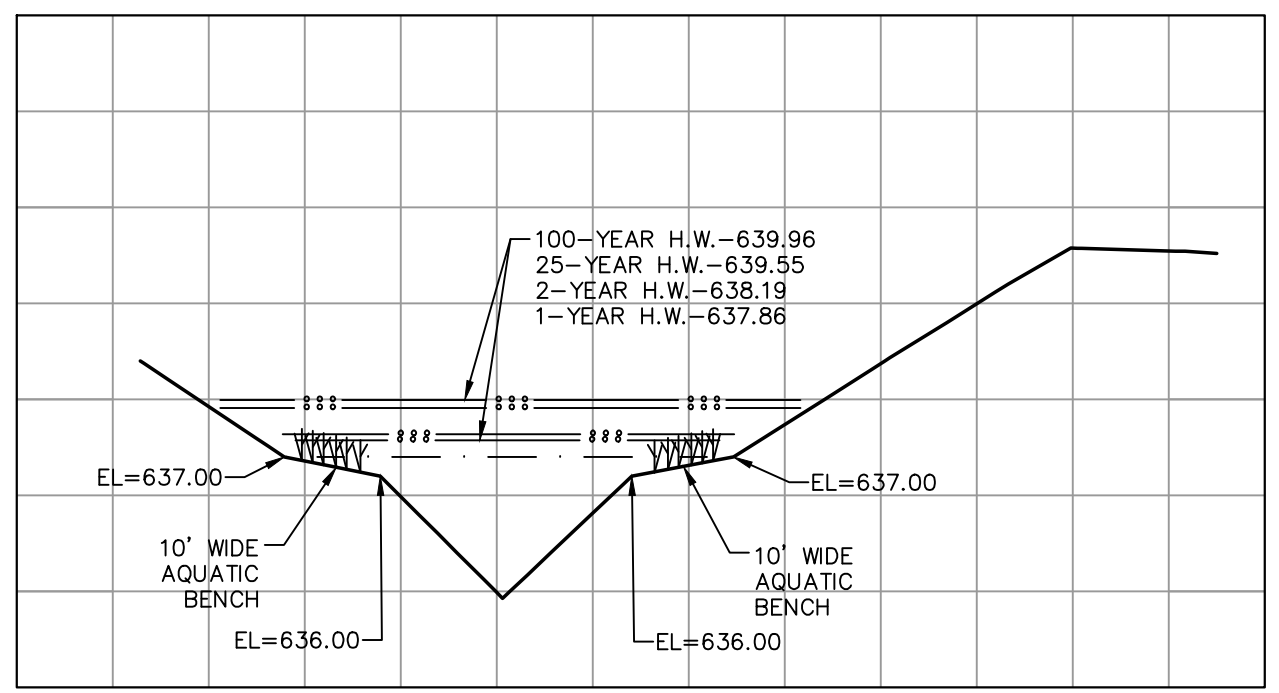
ISSUE	DATE / REMARKS
1	3-3-2015 Initial Submittal
2	5-7-2015 City Comments
3	6-26-2015 City & PWSD #2 Comments
4	11-9-2015 City Comments
5	12-10-2015 City Comments



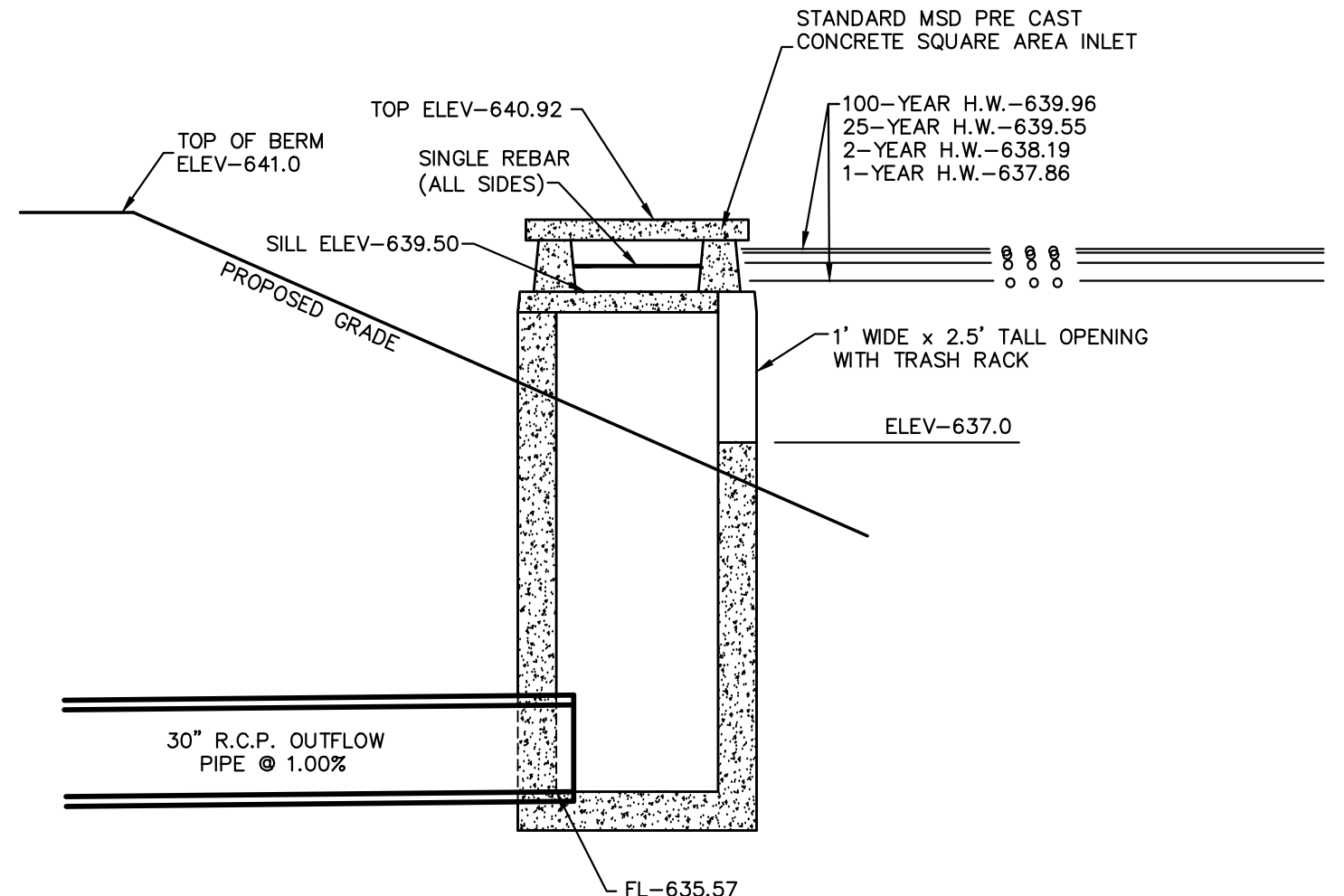
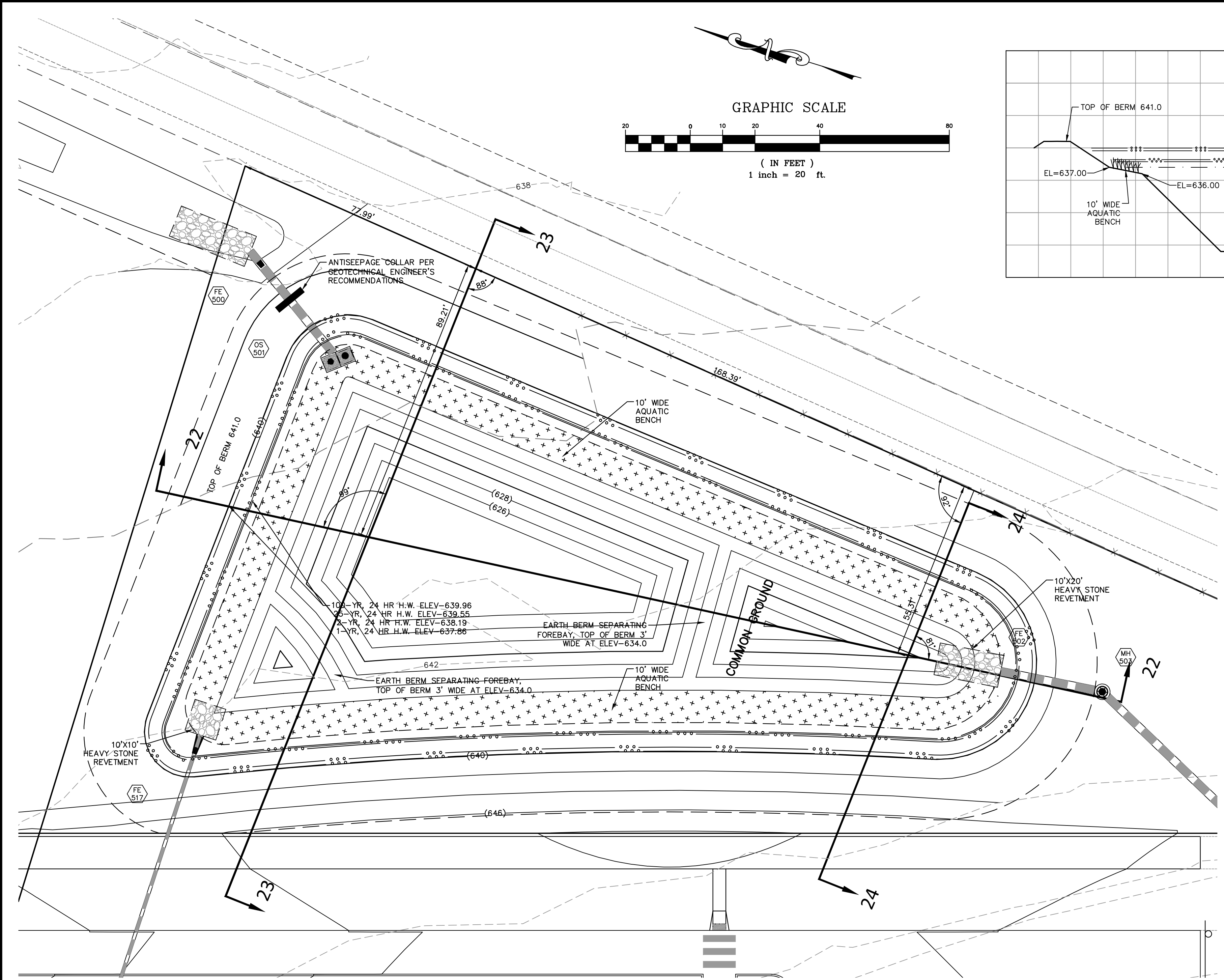
BASIN-H SECTION 22-22
SCALE 1"=20' HORIZ.
1"=10' VERT.



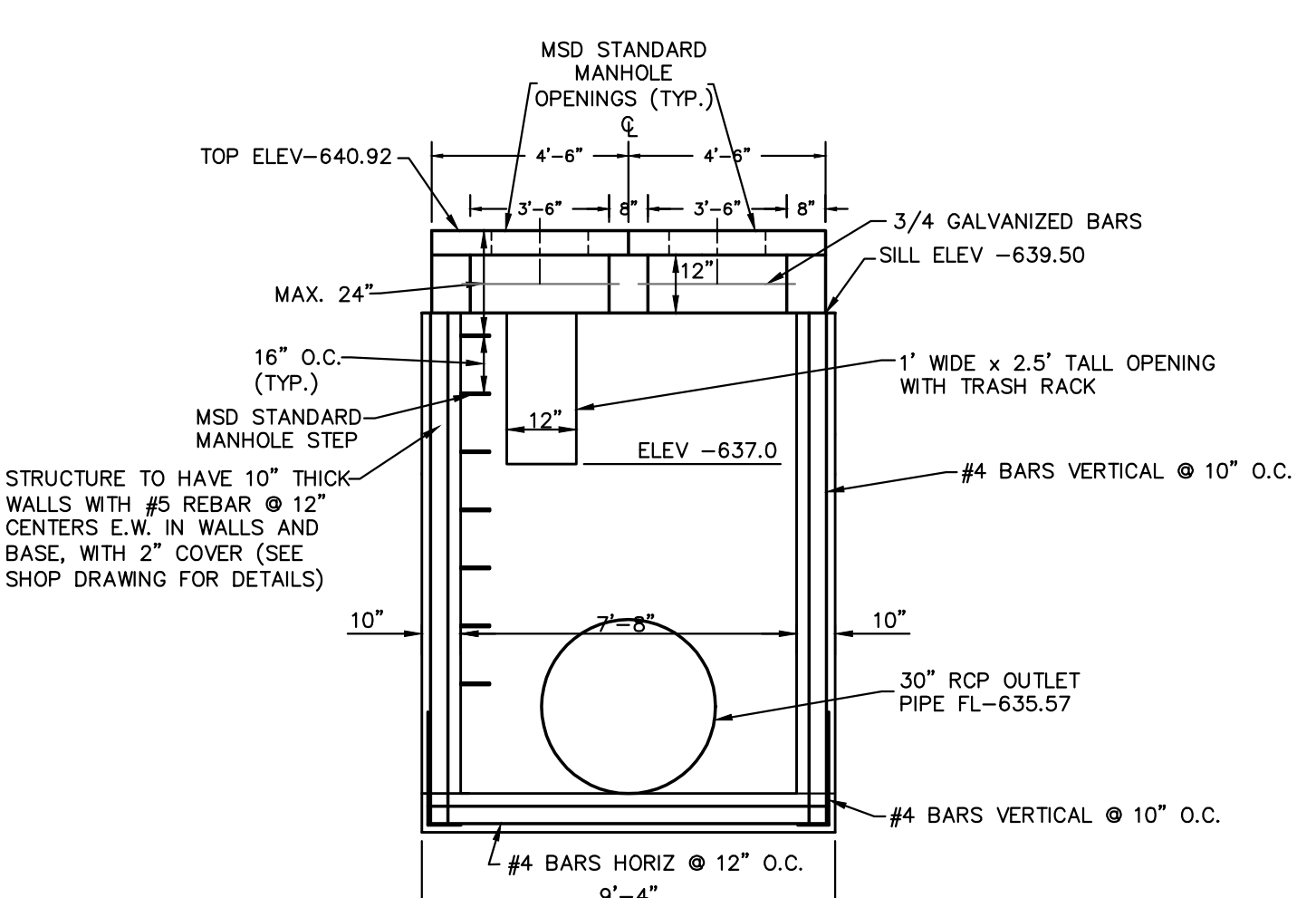
BASIN-H SECTION 23-23
SCALE 1"=20' HORIZ.
1"=10' VERT.



BASIN-H SECTION 24-24
SCALE 1"=20' HORIZ.
1"=10' VERT.

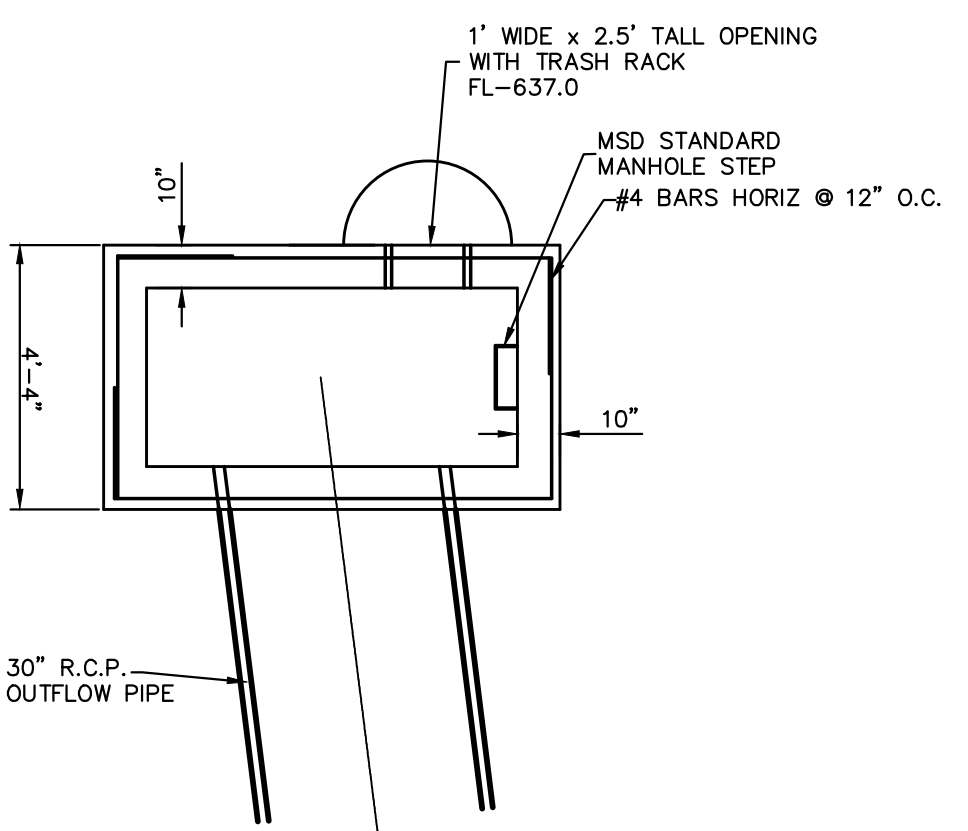


OUTFALL STRUCTURE 501
SIDE SECTION
N.T.S.

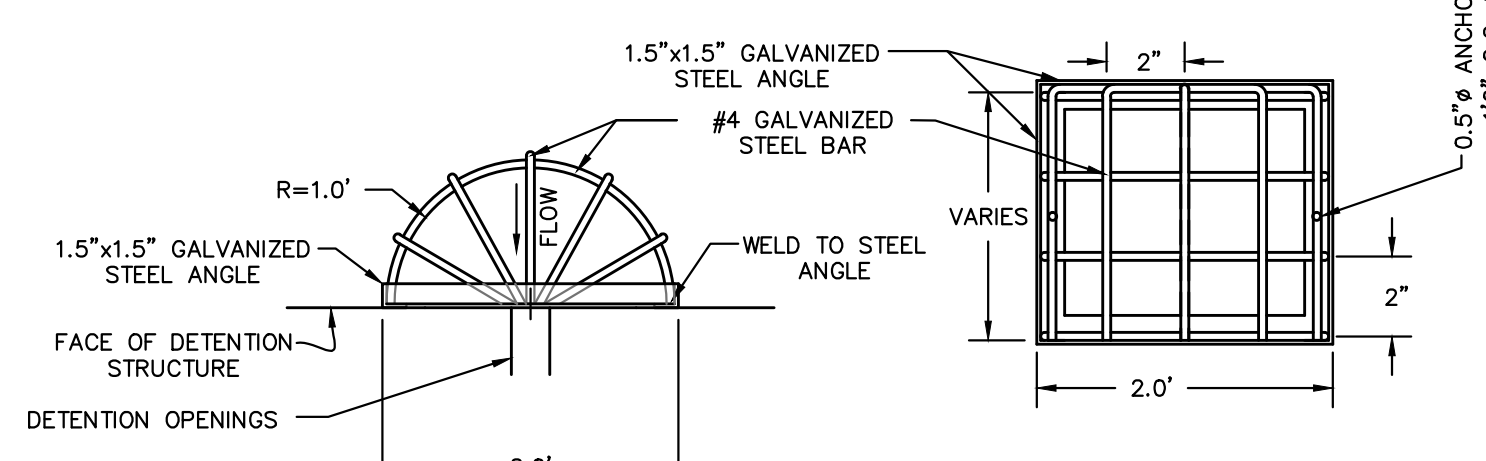


OUTFALL STRUCTURE 501
FRONT VIEW
N.T.S.

STRUCTURE TO HAVE 10" THICK WALLS WITH #5 REBAR @ 12" CENTERS E.W. IN WALLS AND BASE, WITH 2" COVER (SEE SHOP DRAWING FOR DETAILS)



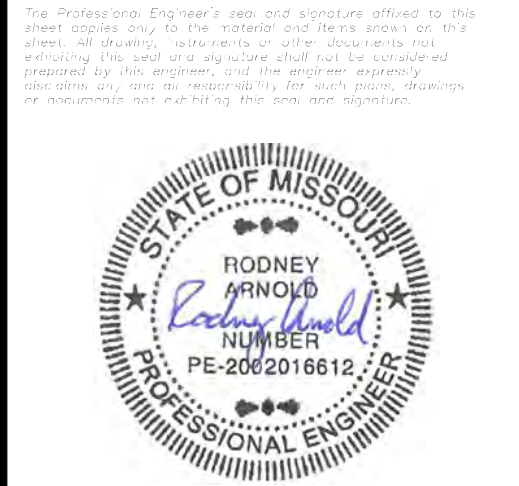
OUTFALL STRUCTURE 501
PLAN VIEW
N.T.S.



TRASH RACK DETAIL
N.T.S.

PROJECT TITLE
The Villages at Shady Creek
OFFALON, MISSOURI

THE STERLING CO.
ENGINEERS & SURVEYORS
5055 New Baumgartner Road
St. Louis, Missouri 63129
Ph 314-487-0440 Fax 314-487-8944
www.sterling-eng-sur.com
Corporate Certificate of Authority #001348



Date: 12/10/2015
RODNEY ARNOLD
LICENSE # PE-2002016612
Civil Engineer

Lombardo Homes of St. Louis, LLC
2299 Technology Drive, Suite 150
O'Fallon, Missouri 63368
Ph. (636) 265-2710
Fax (636) 695-3195
www.lombardohomesstlouis.com

P&Z No. P&Z NO
City No. 15-162-SP
Date: 12/10/2015
Job No. 14-03-087

Page No.
10.12

IMP