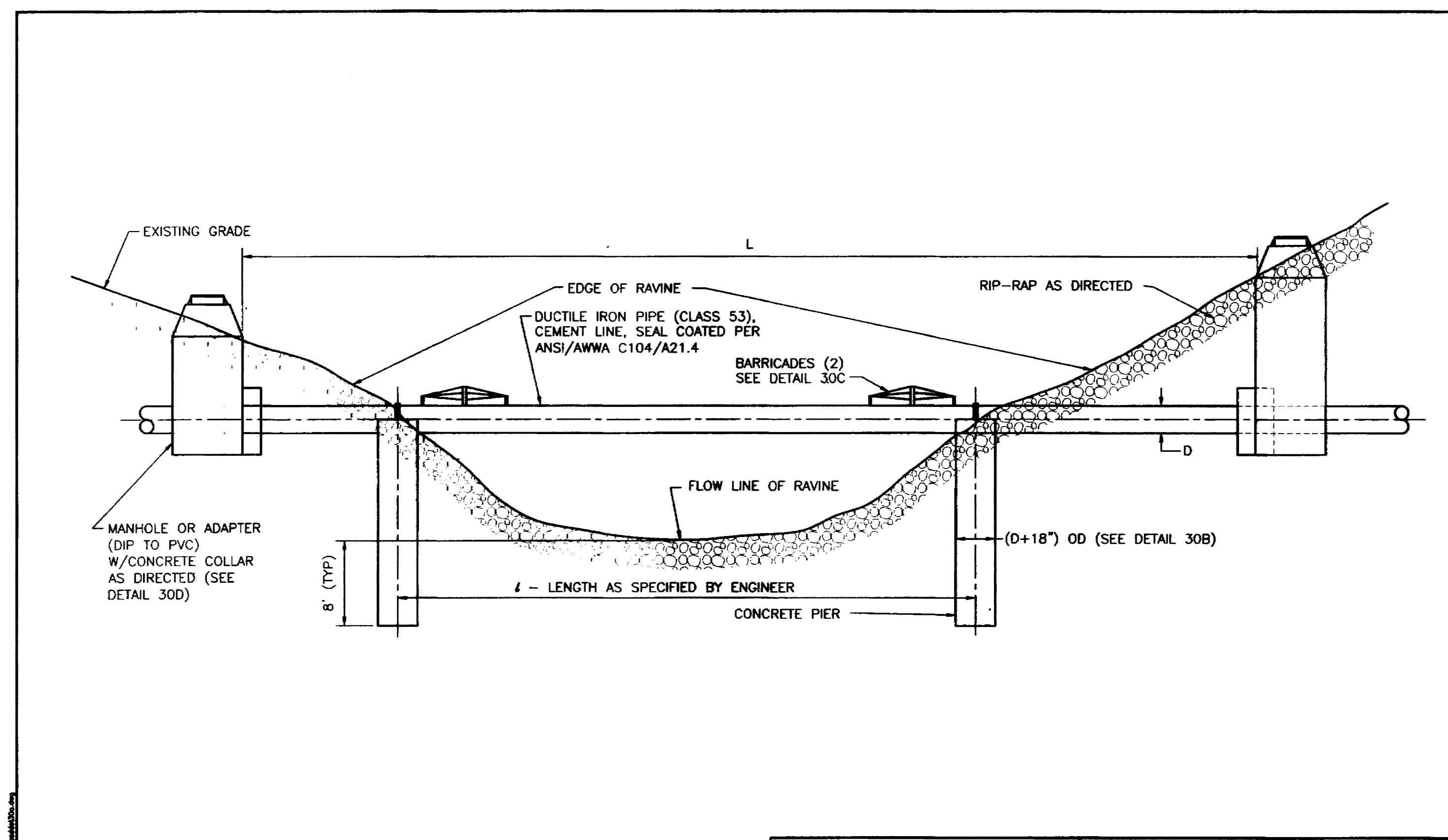
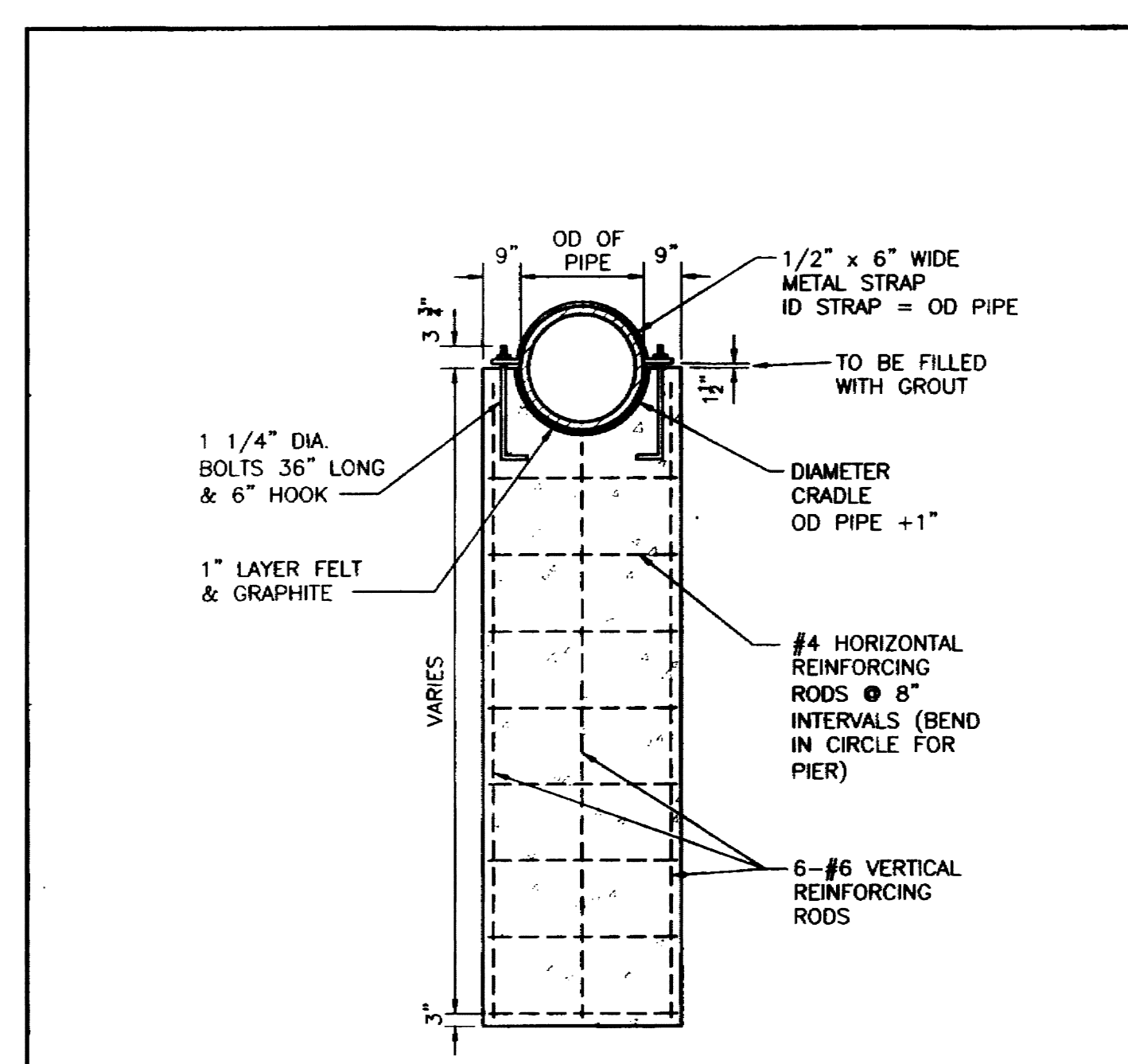


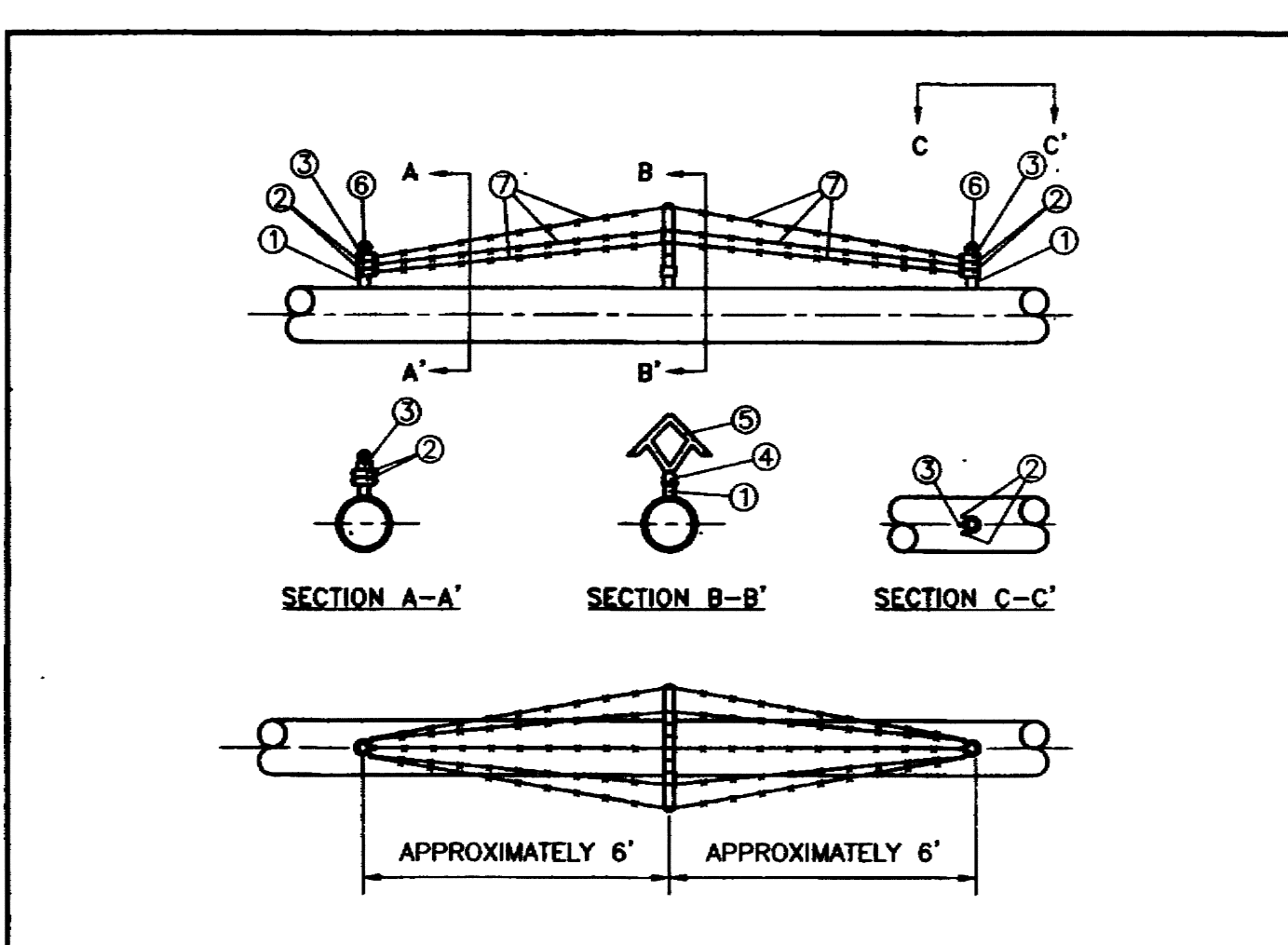
ISSUE	DATE / REMARKS
1	3-3-2015 Initial Submittal
2	5-7-2015 City Comments
3	6-26-2015 City & PWSD #2 Comments
4	11-9-2015 City Comments
5	12-10-2015 City Comments



DUCKETT CREEK SANITARY DISTRICT			
AERIAL CREEK CROSSING DETAIL			
Des. By: BSM	App. By: KLA	Detail No. 30A	
Chk. By: MDOB	Date: 1-10-01		



DUCKETT CREEK SANITARY DISTRICT			
CONCRETE PIER DETAIL			
Des. By: BSM	App. By: KLA	Detail No. 30B	
Chk. By: MDOB	Date: 1-9-01		



NO.	QTY	STK. NO.	SIZE	DESCRIPTION
1	6*	38290	1 1/2" x 5"	NIPPLE, STL. SCR.
2	8		1 1/2" OD, 7' 90"	BRACE BAND, GALV.
3	4		1 1/2" OD, #6	BRACE BAND, GALV.
4	2		1 1/2" OD x 59U	UNIVERSAL BASE, GALV.
5	2		NORTHLAND S STRD.	ARM, STL., GALV. W/BOLT
6	4		NORTHLAND #1	CAP. ACORN, GALV. W/SET SCREW
7	1**	59850	#4 POINT, 1 1/2" GAUGE	WIRE, BARBED, GALV.

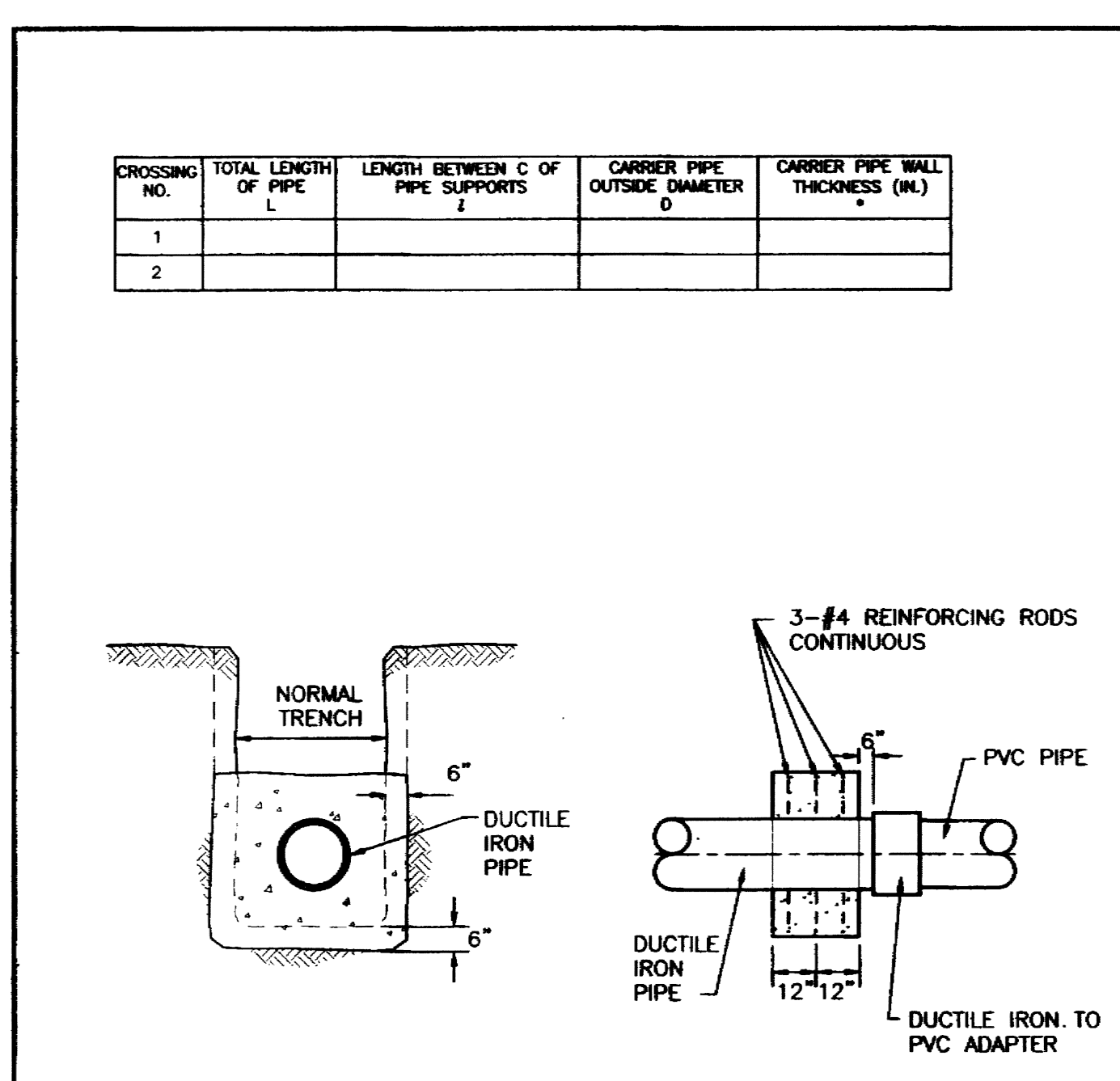
NOTES:

- "BILL OF MATERIALS" PROVIDES SUFFICIENT MATERIAL FOR TWO BARRICADES.
- LOCATION OF BARRICADES ON PIPING SYSTEM TO BE AS SPECIFIED ON APPROVED CONSTRUCTION DRAWINGS.
- TWO BARRICADES WILL BE REQUIRED, ONE AT EACH END OF THE CROSSING AS A DETERRENT AGAINST FOOT TRAFFIC. IN SOME INSTANCES ADDITIONAL BARRICADES MAY BE REQUIRED.
- COAT ANY EXPOSED PIPE WITH MASTIC, STOCK #51857.

* 1 1/2" BARE PIPE ON JOB MAY BE SUBSTITUTED FOR 1 1/2" x 5" NIPPLE. SCREW THREADS NOT NECESSARY.

** CONTACT SUPERVISOR BEFORE ORDERING BARBED WIRE. BARBED WIRE SUPPLIED IN 1320' ROLLS ONLY, NOT RETURNABLE.

DUCKETT CREEK SANITARY DISTRICT			
AERIAL CROSSING BARRIER DETAIL			
Des. By: BSM	App. By: KLA	Detail No. 30C	
Chk. By: MDOB	Date: 1-9-01		



DUCKETT CREEK SANITARY DISTRICT			
AERIAL CROSSING CONCRETE COLLAR DETAIL			
Des. By: BSM	App. By: KLA	Detail No. 30D	
Chk. By: MDOB	Date: 1-9-01		

PROJECT TITLE
The Villages at Shady Creek
 OFFALLON, MISSOURI

THE **STERLING** CO.
 ENGINEERS & SURVEYORS
 5055 New Baumgartner Road
 St. Louis, Missouri 63129
 Ph. 314-487-0440 Fax 314-487-8944
 www.sterling-eng-sur.com
 Corporate Certificate of Authority #001348



Date: 12/10/2015
 RODNEY ARNOLD
 LICENSE # PE-2002016612
 Civil Engineer

Lombardo Homes of St. Louis, LLC
 2299 Technology Drive, Suite 150
 O'Fallon, Missouri 63368
 Ph. (636) 265-2710
 Fax (636) 695-3195
 www.lombardohomesstlouis.com

P+Z No. P&Z NO
 City No. 15-162-SP
 Date: 12/10/2015
 Job No. 14-03-087

Page No.
DTL-7

IMP