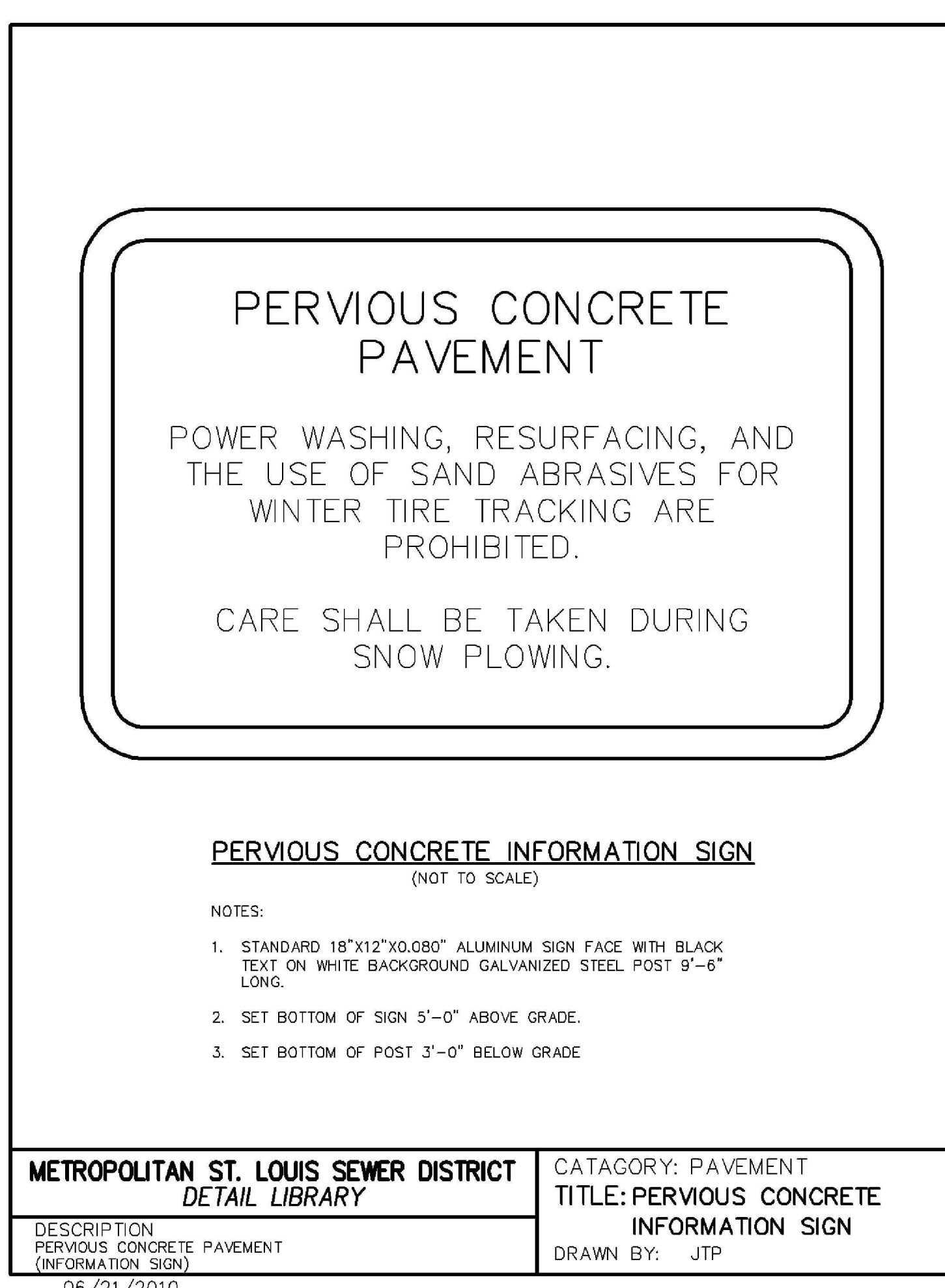
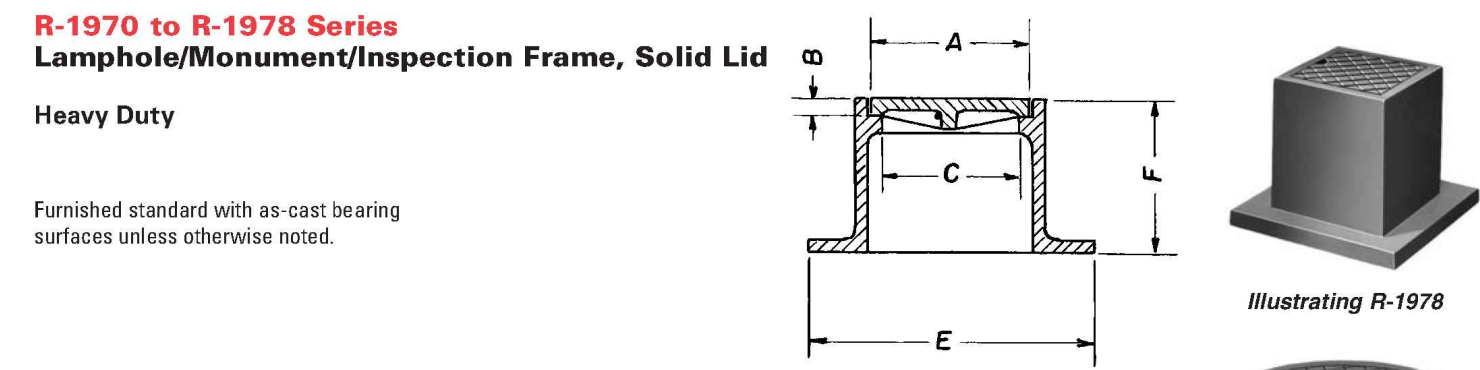


METROPOLITAN ST. LOUIS SEWER DISTRICT <i>DETAIL LIBRARY</i>	CATEGORY: PAVEMENT TITLE: PERVIOUS CONCRETE PAVEMENT DRAWN BY: JTP
DESCRIPTION PERVIOUS CONCRETE PAVEMENT (TYPICAL SECTION) 09/10/2014	

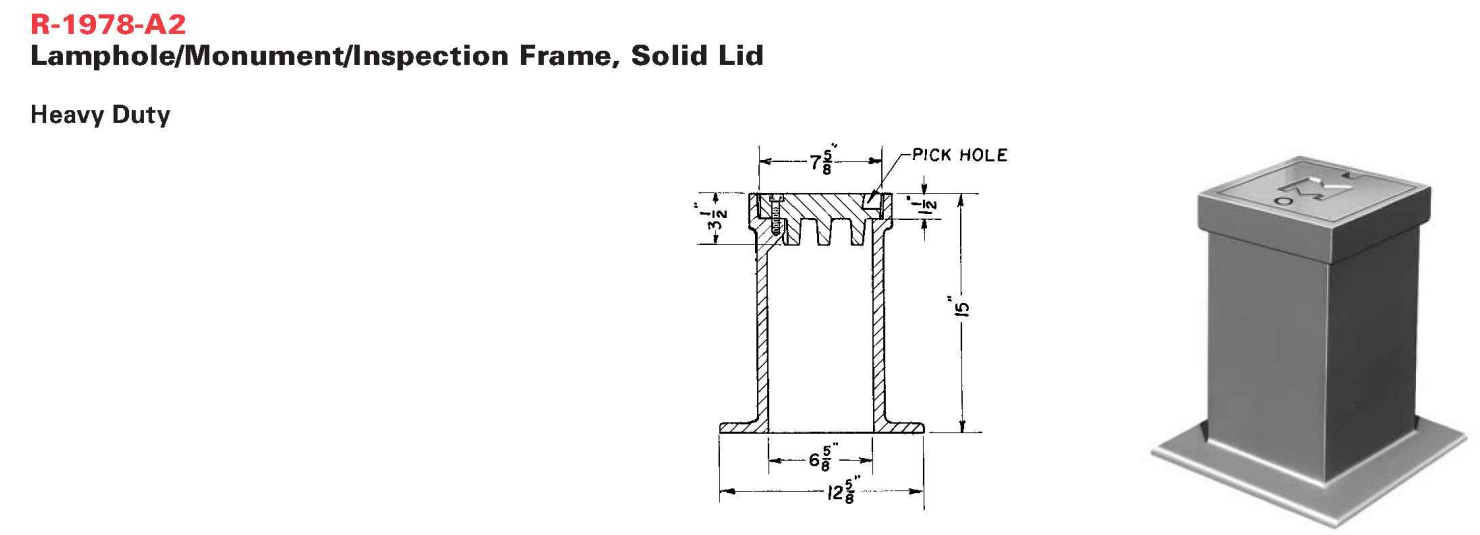


METROPOLITAN ST. LOUIS SEWER DISTRICT <i>DETAIL LIBRARY</i>	CATEGORY: PAVEMENT TITLE: PERVIOUS CONCRETE INFORMATION SIGN DRAWN BY: JTP
DESCRIPTION PERVIOUS CONCRETE PAVEMENT (INFORMATION SIGN) 06/21/2010	



Catalog No.	Dimensions in inches				
	A	B	C	E	F
Round					
R-1970	7	2 1/8	5 3/4	13 1/8	7
R-1971**	8	3/4	6 1/2	10 1/2	10
R-1973	7 1/2	3/4	6 1/2	13 1/4	7
R-1973-A	7 3/4	3/4	6 3/4	13 1/4	7
R-1973-A	8 7/8	11/16	7 3/4	15 3/4	8
R-1974-A	9	1	8	16	6 1/2
R-1975	9 1/2	1 1/2	8 1/2	20	11
R-1975-A	9 7/8	7/8	9	15 3/8	6
R-1975-A2	10	1	9	16	8
R-1975-A3	10	2	9	16	8
R-1976	11 1/4	1 1/4	10	20	8
R-1977***	11 1/2	1 1/2	8 1/2	16	12
Square					
R-1978**	6 7/8 x 6 7/8	1	5 x 5	13 x 13	10
R-1978-A3	7 7/8 x 7 7/8	7/8	6 1/2 x 6 1/2	16 1/2 x 16 1/2	6 7/8
R-1978-A10	7 7/8 x 7 7/8	7/8	6 1/2 x 6 1/2	16 3/4 x 16 3/4	10
R-1978-A15	7 7/8 x 7 7/8	7/8	6 5/8 x 6 5/8	17 1/4 x 17 1/4	15
R-1978-B	12 x 12	3/4	10 5/8 x 10 5/8	20 1/2 x 20 1/2	7 3/8

* Base consists of 4 bolting legs for 1/2" bolt on 3/16" bolt circle instead of full flange.
** Furnished with machined horizontal bearing surfaces.
*** List bolted to frame.



CLUSTER BOX UNIT (CBU) -ANCHORING METHODS-

CBU's must be level and mounted firmly in concrete, using one of the following methods.

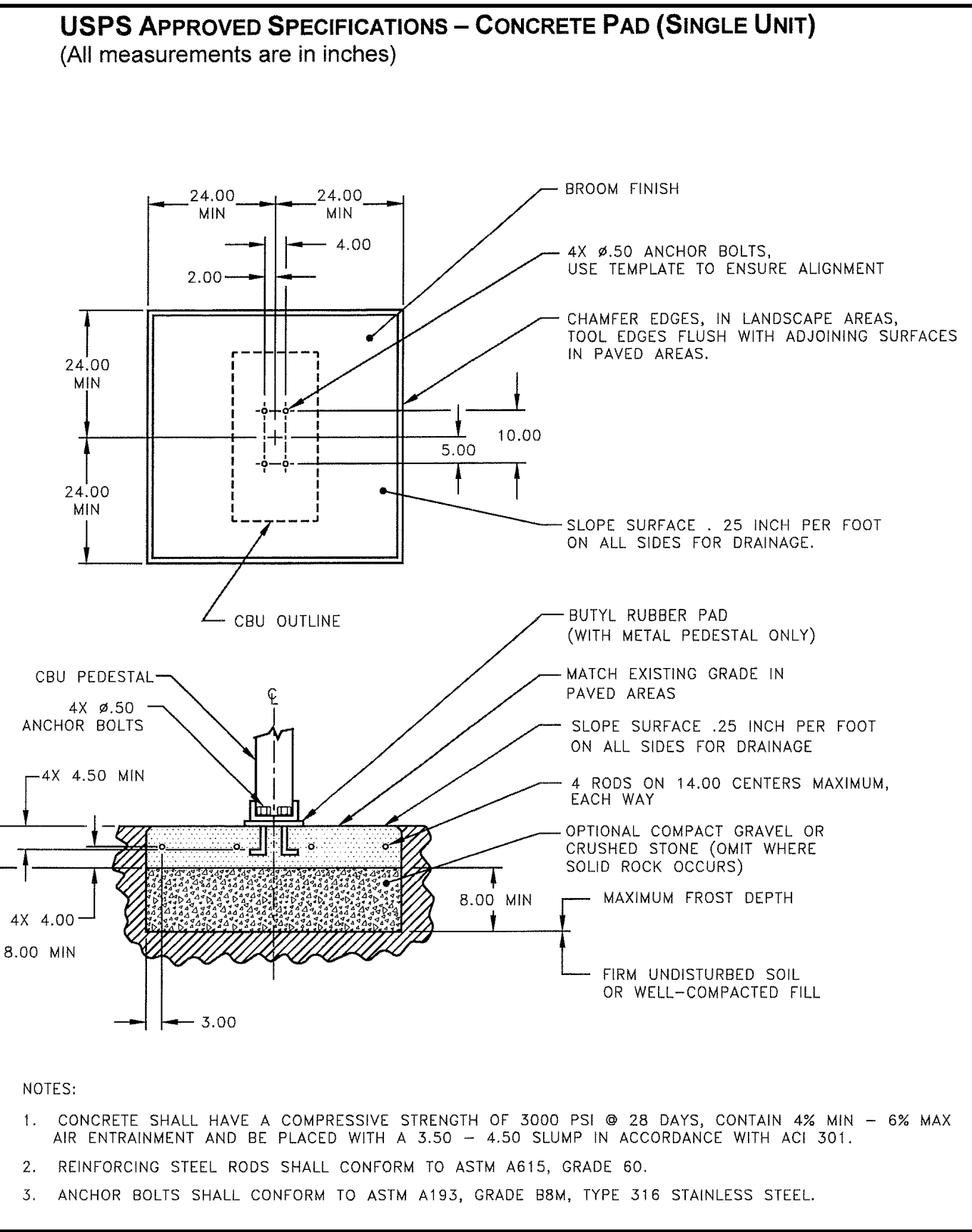
- The J-bolt method is the preferred method of installation of CBU's on concrete pads; however, the J-bolt pattern must be accurate with the CBU pedestal plate. When using J-bolts, in order to prevent any damage or accidents that could result from the exposed bolts, consideration should be given as to the time lapse between pouring the concrete and the actual installation. Expansion anchors must be installed in accordance with the manufacturer's instructions.
- The use of anchor bolts for the installation of CBU's on concrete pads is also acceptable as long as the methods described below are followed.
 - Hilti Kwik bolt II, 1/2" diameter X 5-1/2" overall length
Catalog Number: 000-453-696, KB II 12-512
Stainless Steel Catalog Number: 000-454-744
Minimum embedment in concrete must be no less than 3-1/2"
 - ITW Ramset Redhead Trublot, galvanized, 1/2" diameter X 7" overall length
 - Rawl Stud, 1/2" diameter X 5 1/2" overall length, galvanized.
Catalog Number: 7324
Minimum embedment in concrete must be no less than 4"

CLUSTER BOX UNIT (CBU) -CONCRETE PAD REQUIREMENTS-

- ALL FREE STANDING PADS MUST BE 8" THICK -

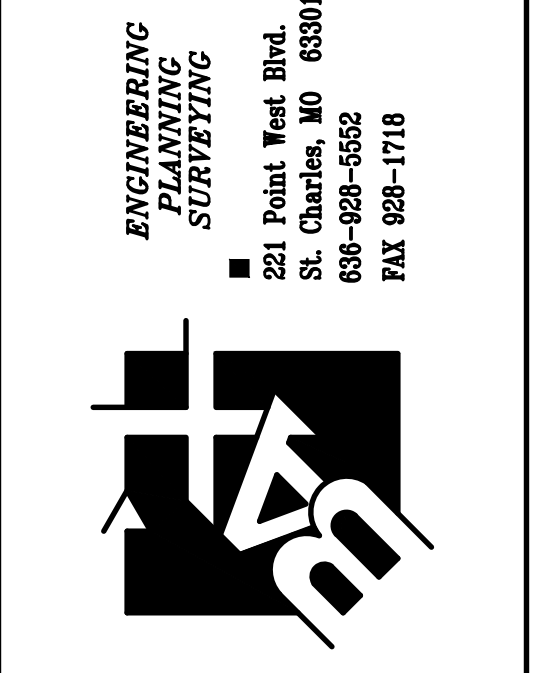
1 UNIT	SINGLE PAD	4' X 4'
2 UNITS	DOUBLE PAD	4' X 7'
3 UNITS	TRIPLE PAD	4' X 10'
4 UNITS	QUAD PAD	4' X 13'

*** WHEN PLACING A PARCEL LOCKER AT ANY CBU LOCATION, INCREASE THE PAD SIZE BY AN ADDITIONAL 4' X 4'***



ENGINEERS SEAL DOES NOT APPLY TO DETAILS ON THIS SHEET.

PROJECT TITLE:
SHANE ESTATES
PHASE TWO
#566 HIGHWAY P
CITY OF FALLON
ST. CHARLES COUNTY, MO. 63366



DISCLAIMER OF RESPONSIBILITY
I hereby specify that the documents intended to be authenticated by my seal are limited to this sheet, and I hereby disclaim any responsibility for all other drawings, specifications, estimates, reports or other documents or instruments relating to or intended to be used for any part or parts of the architectural or engineering project or survey.

REVISIONS

03/04/20	CITY COMMENTS
03/19/20	CITY COMMENTS
04/15/20	CITY COMMENTS
10/01/20	CLIENT COMMENTS

Developer / Owner:
ELLA REAL PROPERTY HOLDINGS, L.L.C.
428 NORTH MAIN STREET
OFALLON, MO 63366
(636) 577-2458

DETAILS

P+Z No. #19-009651
Approval Date: 11/07/2019
City No. #City number