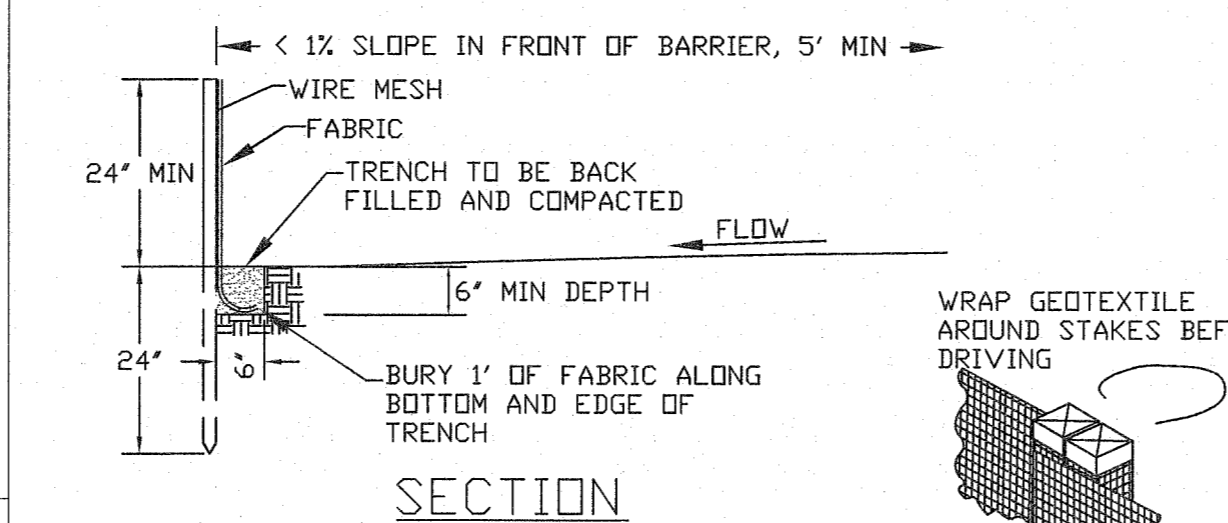
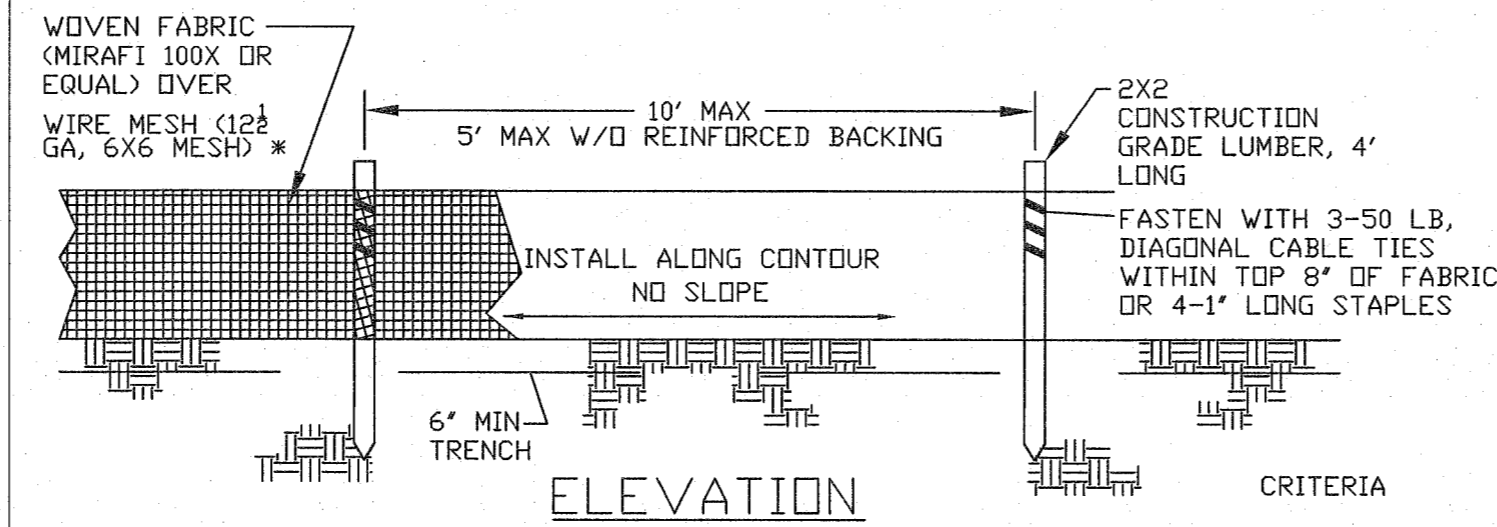


CITY OF O'FALLON
ENGINEERING DEPARTMENT
O'FALLON, MISSOURI

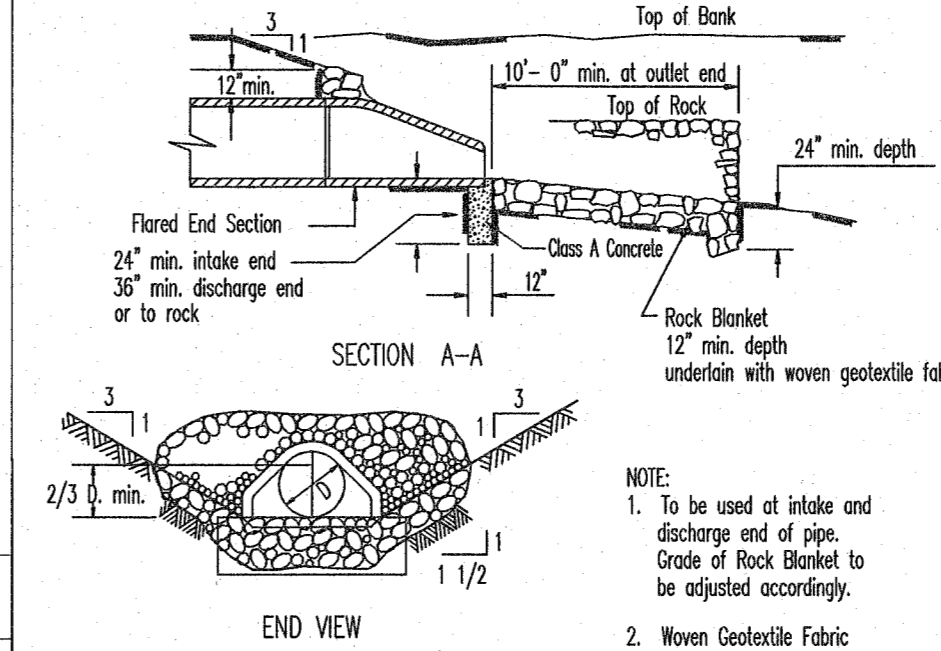
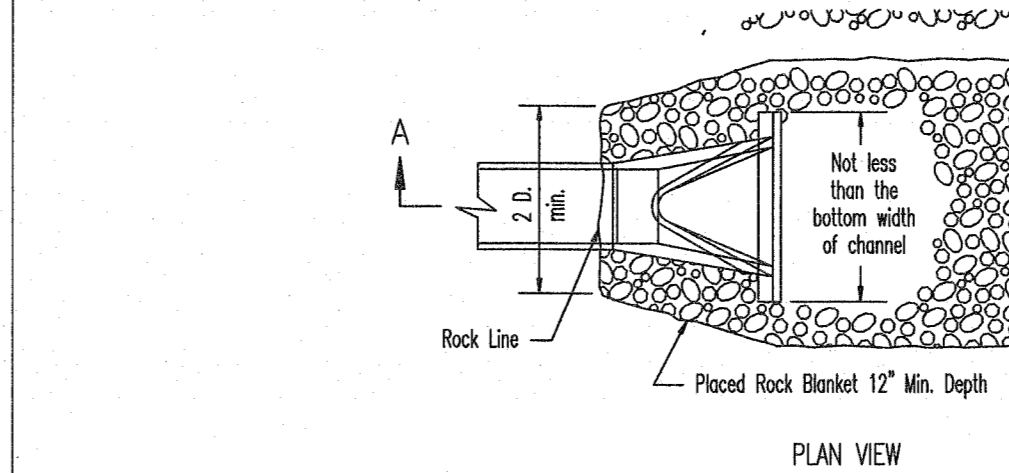
**SPACING CHART
FOR ESC DEVICES**



**JOINING SECTIONS OF
SILT FENCE**

CITY OF O'FALLON
ENGINEERING DEPARTMENT
O'FALLON, MISSOURI

**SILT FENCE INSTALLATION
SHEET FLOW (ONLY)**



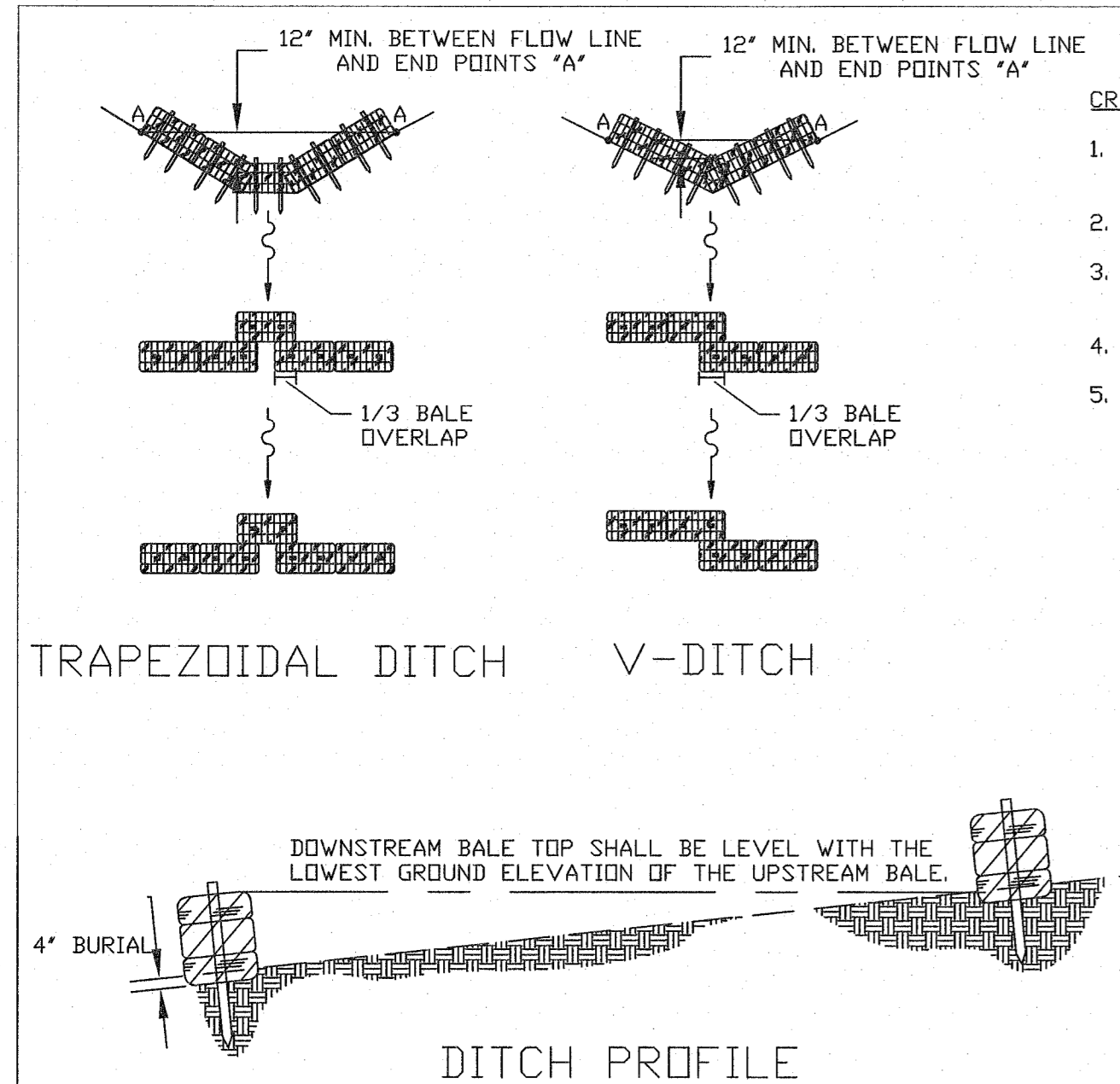
MSD Type 5 Rock Blanket (% By Weight Passing)

| Sieve | Maximum | Minimum |
|----------|---------|---------|
| 12 inch | 90 | 70 |
| 6 inch | 30 | 10 |
| 1/2 inch | 5 | 0 |

CITY OF O'FALLON
ENGINEERING DEPARTMENT
O'FALLON, MISSOURI

**SEWER CONSTRUCTION DETAILS
FLARED END SECTION
(INLET/OUTLET PROTECTION)**

* The discharge point of all flared end sections shall be protected by rip rap or other approved means.
** Rip rap shown at flared end sections will be evaluated in the field by the Engineer, Contractor, and City Inspectors after installation for effectiveness and field modified, if necessary to reduce erosion on and off site.



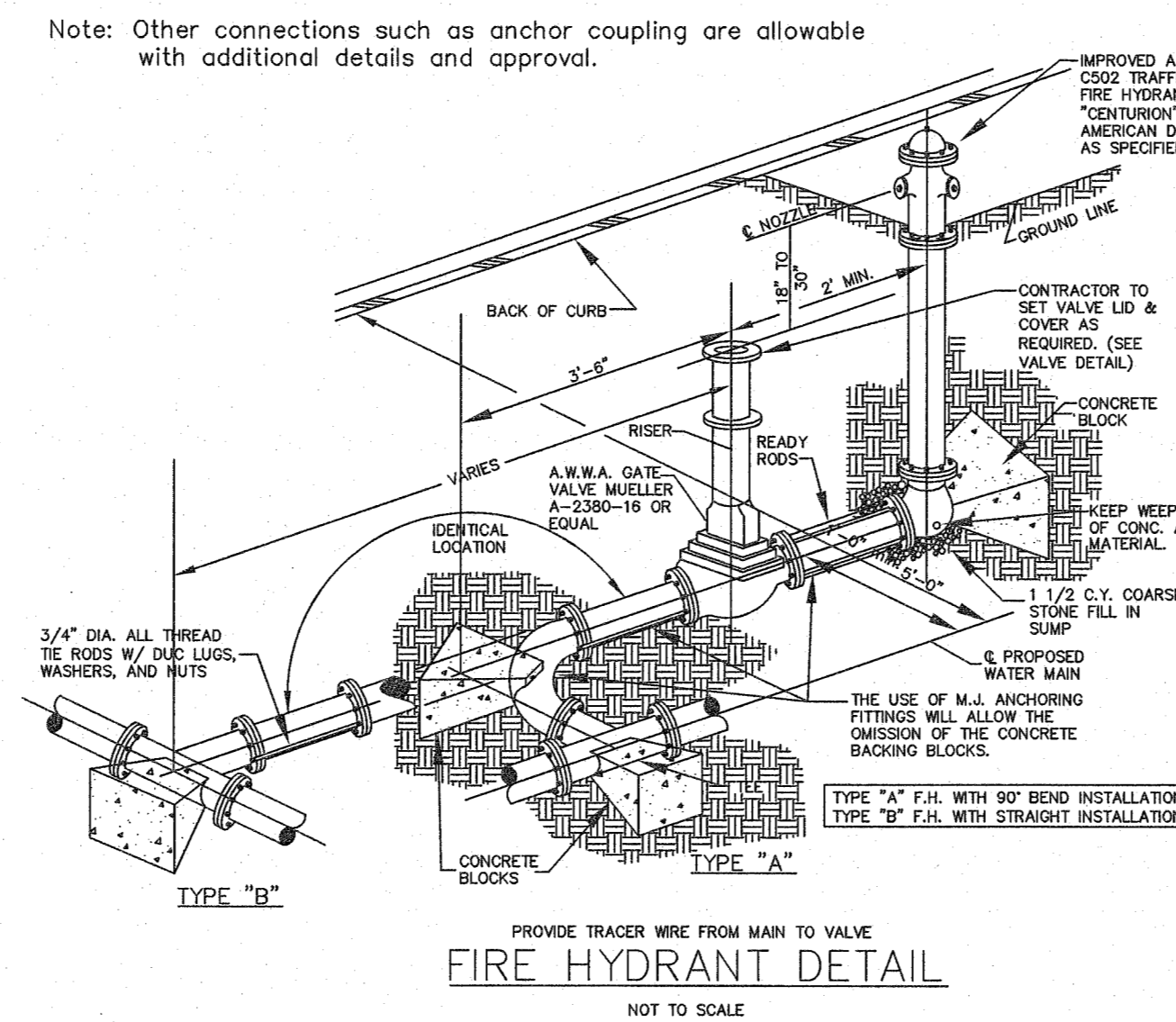
- CRITERIA FOR LOW CONCENTRATED FLOWS**
- DRAINAGE AREAS SHALL BE LESS THAN 1 ACRE.
 - INSTALL TWO STAKES PER BALE.
 - BALES WILL BE TRENCHED 4' DEEP INTO EARTH.
 - MAXIMUM CHANNEL SLOPE OF 3%.
 - SEDIMENTATION TRAPS TO BE USED IN HIGHLY ERODIVE AREAS.

CHECK DAM SPACING

| Ditch Slope | Maximum Spacing |
|-------------|-----------------|
| 3% | 50' |
| 2% | 75' |

CITY OF O'FALLON
ENGINEERING DEPARTMENT
O'FALLON, MISSOURI

**STRAW BALE
CHECK DAM**



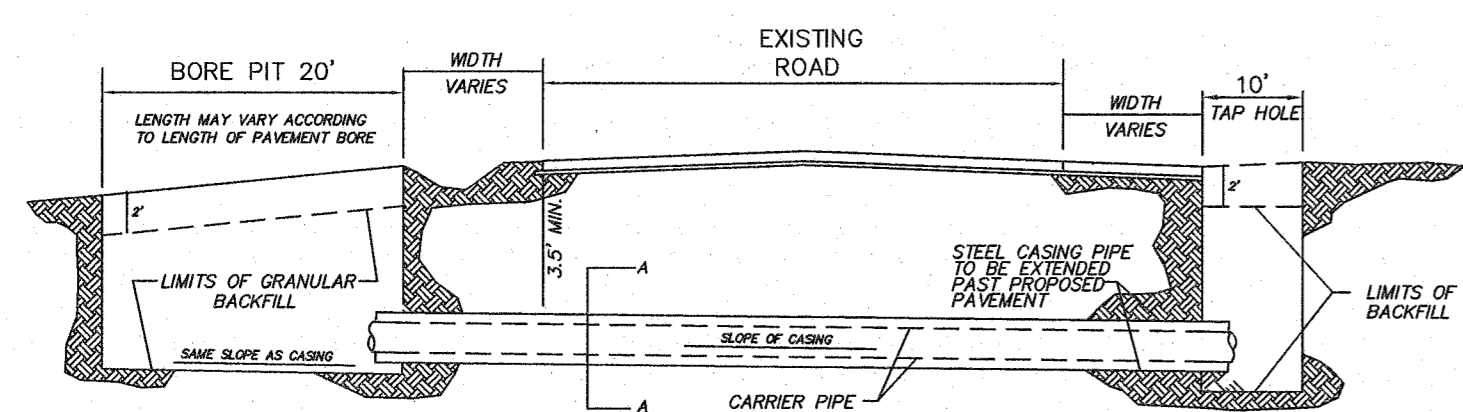
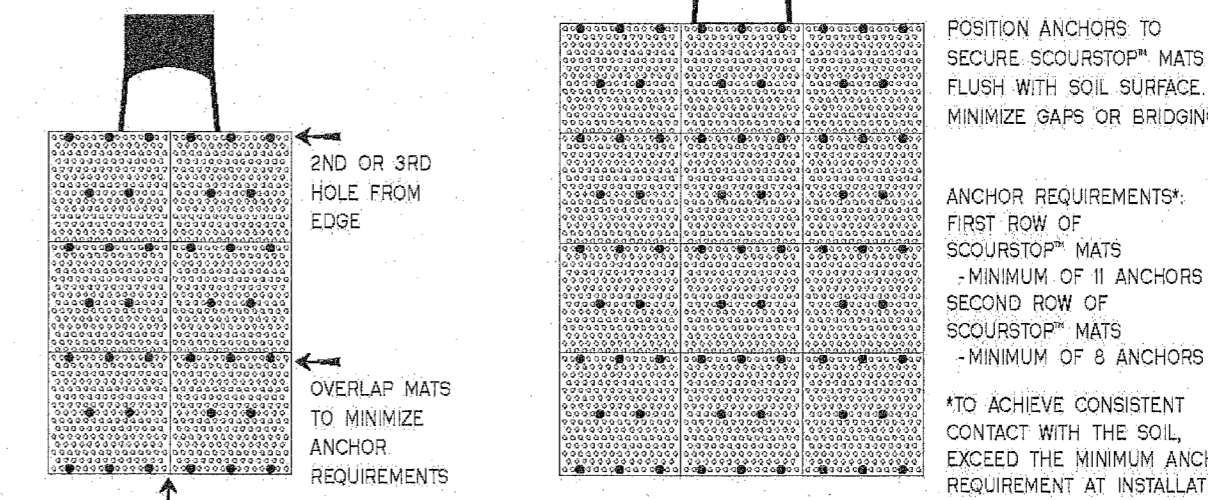
CITY OF O'FALLON
ENGINEERING DEPARTMENT
O'FALLON, MISSOURI

**FIRE HYDRANT
DETAILS**

INSTALLATION DETAILS

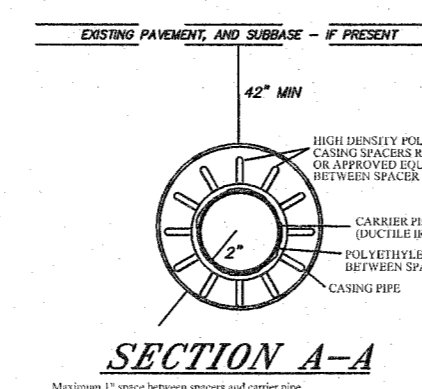
| PIPE DIAMETER | DISCHARGE (CFS) | SCOURSTOP WIDTH x LENGTH |
|---------------|-----------------|--------------------------|
| 12" | 8 | 4' x 4' |
| 24" | 30 | 8' x 8' |
| 36" | 75 | 8' x 12' |
| 48" | 100 | 12' x 16' |
| 66" | 150 | 12' x 20' |
| 72"+ | | SEE DETAILS |

ADD EXTRA ANCHORS IF NECESSARY TO ENSURE CONSISTENT CONTACT WITH SOIL OR IMPROVE SOIL SURFACE SMOOTHNESS.

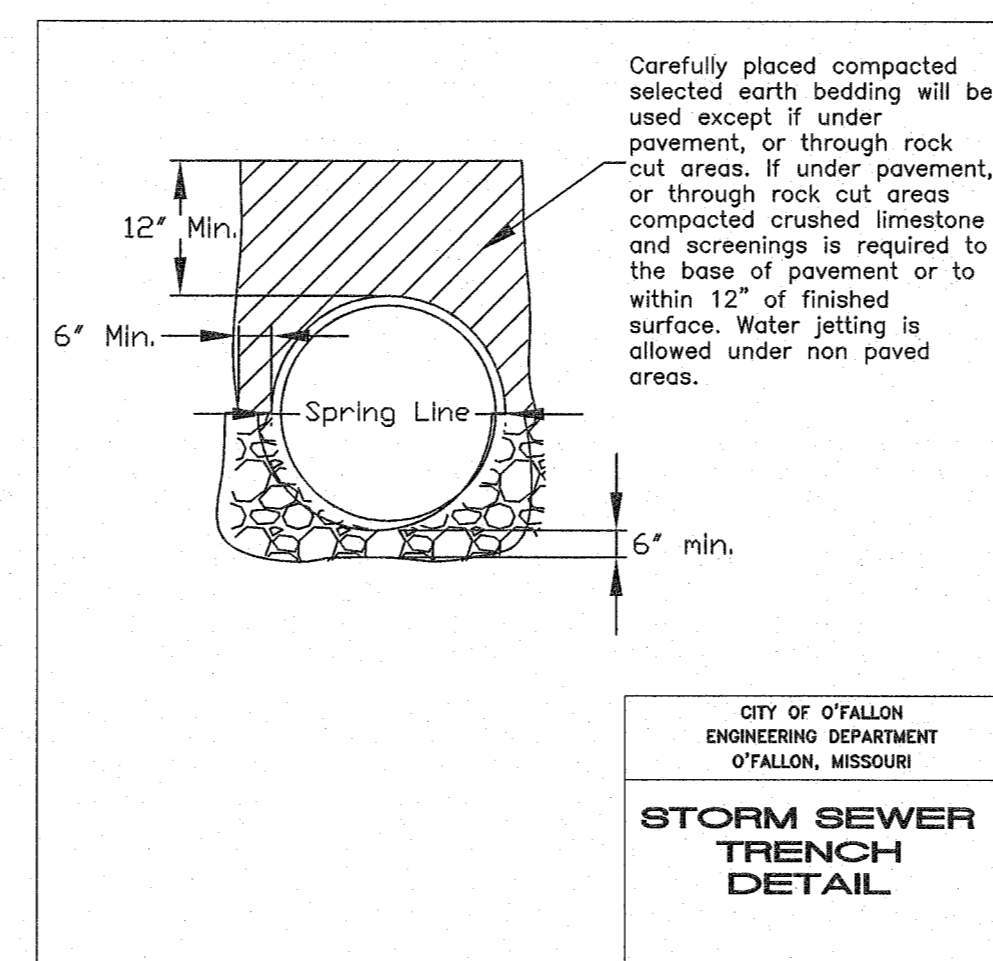
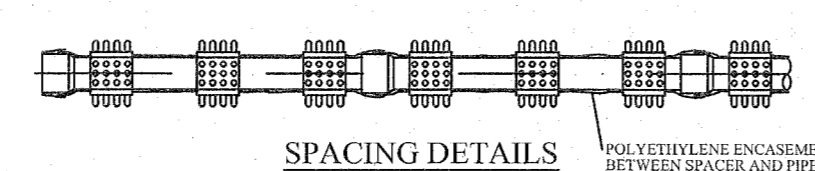


**BORE DETAIL
BORING NOTES**

- DO NOT SCALE DRAWING. FOLLOW DIMENSIONS.
- INSTALLATION OF THE CASING AND CARRIER PIPES SHALL MEET THE REQUIREMENTS FOR THE CITY OF O'FALLON SPECIFICATIONS.
- ALL JOINTS IN THE CASING PIPE SHALL BE WELDED.
- THE PIPE TO BE PLACED IN THE BORE HOLE SHALL BE CAST-IRON PIPE EXCEPT AS REQUIRED ON THE PLANS.
- STEEL CASING PIPE USED IN THE INSTALLATION OF WATER OR SEWER LINE AND CONDUITS SHALL HAVE A MINIMUM YIELD STRENGTH OF 35,000 P.S.I.
- CARRIER PIPE SHALL BE 6" DIA.
- CASING PIPE SHALL BE 18" DIA. STEEL (0.281" WALL THICKNESS).
- NOTE: EXISTING FACILITIES ARE TO REMAIN IN USE AT ALL TIMES. IT IS THE RESPONSIBILITY OF THE CONTRACTOR TO LOCATE ALL SERVICE LINES AND UTILITIES PRIOR TO CONSTRUCTION.
- RESTRAINING JOINTS SHALL BE USED ON THE CARRIER PIPE.
- DESIGNER SHALL SUBMIT CARRIER PIPE AND CHASING PIPE SIZE AND COMBINATION FOR REVIEW AND APPROVAL.



ENCASEMENT SPACER DETAILS



CITY OF O'FALLON
ENGINEERING DEPARTMENT
O'FALLON, MISSOURI

**STORM SEWER
TRENCH
DETAIL**

- * All other Storm or Sanitary Sewer Details will be by M.S.D. 2000 Standards and Specifications.
- ** All inlets shall have 5/8" trash bar centered with the opening(s).

**ENGINEERS SEAL DOES NOT APPLY
TO DETAILS ON THIS SHEET.**

DISCLAIMER OF RESPONSIBILITY
I hereby specify that the documents intended to be authenticated by my seal are limited to this sheet, and I hereby disclaim any responsibility for all other Drawings, Specifications, Estimates, Reports or other documents or instruments relating to or intended to be used for any part or parts of the architectural or engineering project or survey.

REVISIONS

| DATE | CITY COMMENTS |
|----------|-----------------|
| 07/05/18 | CITY COMMENTS |
| 07/17/18 | CITY COMMENTS |
| 08/31/18 | MODOT COMMENTS |
| 09/12/18 | MODOT COMMENTS |
| 12/10/18 | CLIENT COMMENTS |
| 01/09/19 | CITY COMMENTS |

Developer / Owner:
ELLA REAL PROPERTY HOLDINGS, L.L.C.
428 NORTH MAIN STREET
O'FALLON, MO 63366
(636) 577-2458

P+Z No. 18-000613
Approval Date: 04/05/2018
Page No. 9 of 12

PROJECT TITLE:
SHANE ESTATES
4572 HIGHWAY P
CITY OF O'FALLON
ST. CHARLES COUNTY, MO. 63366
Box Project # 97-9209C Issue Date: 05/15/2018

**ENGINEERING
PLANNING
SURVEYING**
221 Pant. West Blvd.
St. Charles, MO 63301
636-929-9552
FAX 636-929-1718

