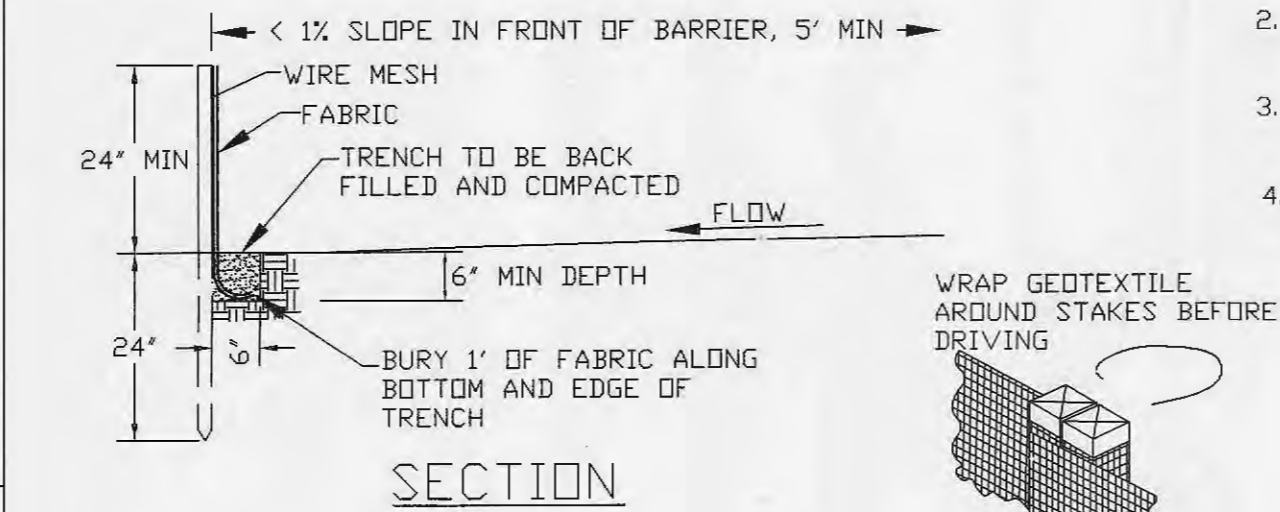
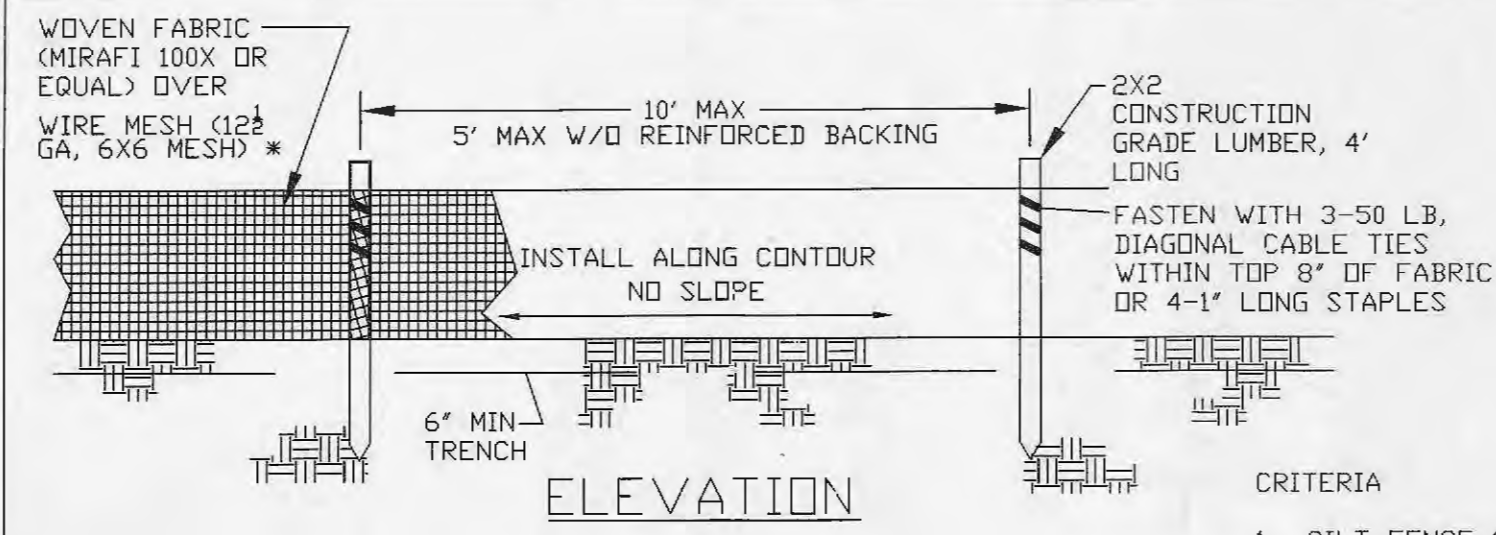


- DESIGN CRITERIA**
1. SILT FENCE FOR SHEET FLOW SHALL HAVE A MAXIMUM DRAINAGE AREA OF 1/4 ACRE PER 100 LF.
 2. STRAW BALE BARRIERS FOR SHEET FLOW SHALL HAVE A MAXIMUM DRAINAGE AREA OF 1/4 ACRE PER 100 LF.
 3. REFER TO INDIVIDUAL ESC FIGURE FOR INSTALLATION.
 4. TERRACING INCLUDES LOGS, WATTLES & FILTER SOCKS.

CITY OF O'FALLON
ENGINEERING DEPARTMENT
O'FALLON, MISSOURI

**SPACING CHART
FOR ESC DEVICES**



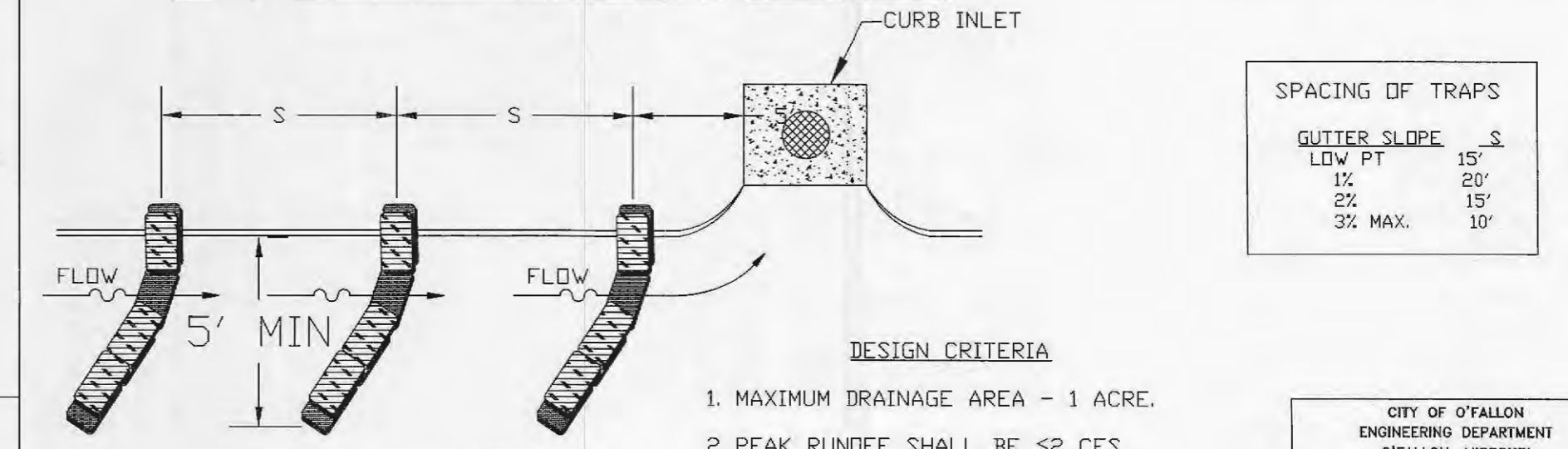
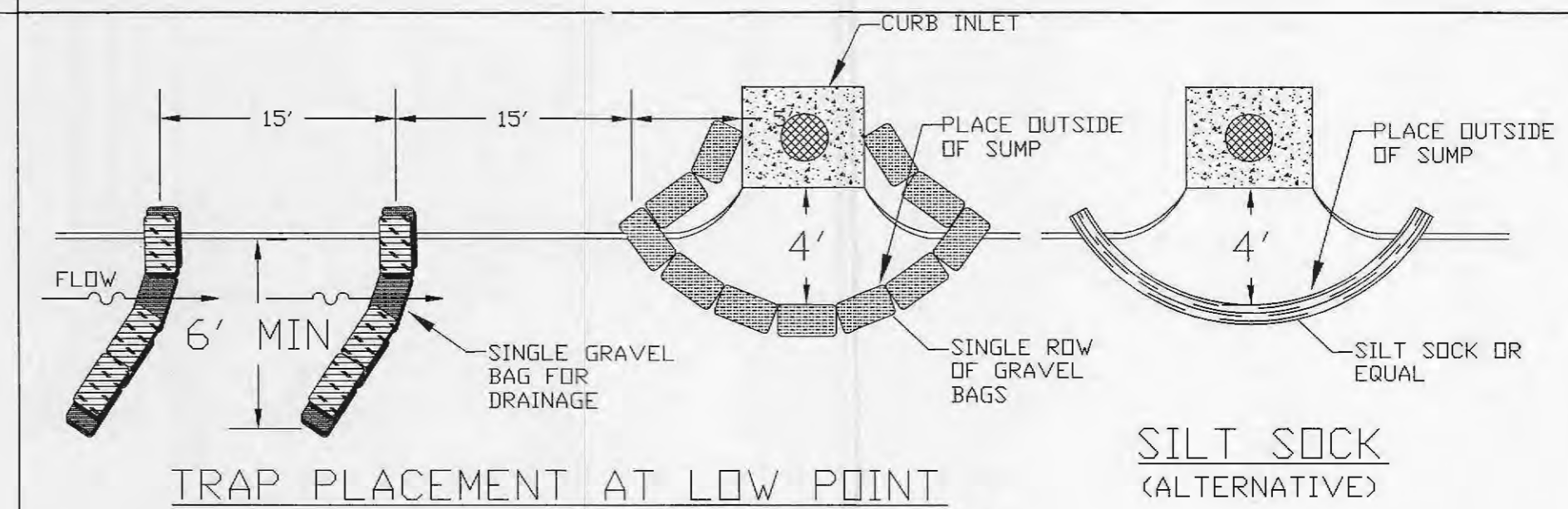
NOTE: IF FABRIC IS INSTALLED BY EQUIPMENT DESIGNED TO SLICE INTO THE GROUND, THE TRENCH IS NOT REQ'D.

**JOINING SECTIONS OF
SILT FENCE**

- CRITERIA**
1. SILT FENCE SHALL BE 24 INCHES HIGH.
 2. SILT FENCE SHALL NOT BE USED FOR CONCENTRATED FLOWS.
 3. GEOSYNTHETIC REINFORCED SILT FENCE BACKING MAY BE USED IN LIEU OF WIRE MESH.
 4. WIRE MESH WILL BE USED AT LOCATIONS SHOWN ON THE APPROVED SWPPP.

CITY OF O'FALLON
ENGINEERING DEPARTMENT
O'FALLON, MISSOURI

**SILT FENCE INSTALLATION
SHEET FLOW (ONLY)**



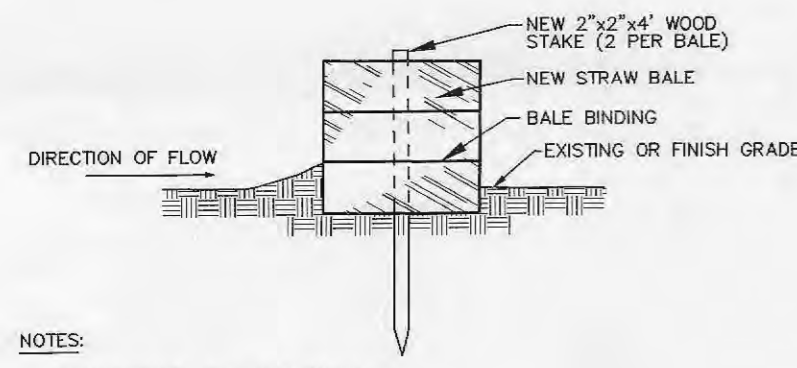
SPACING OF TRAPS

GUTTER SLOPE	S
LOW PT	15'
1%	20'
2%	15'
3% MAX.	10'

- DESIGN CRITERIA**
1. MAXIMUM DRAINAGE AREA - 1 ACRE.
 2. PEAK RUNOFF SHALL BE ≤ 2 CFS BASED ON THE 6-MONTH STORM.
 3. STACK GRAVEL BAGS DOUBLE HIGH. PROVIDE GAP FOR DRAINAGE.

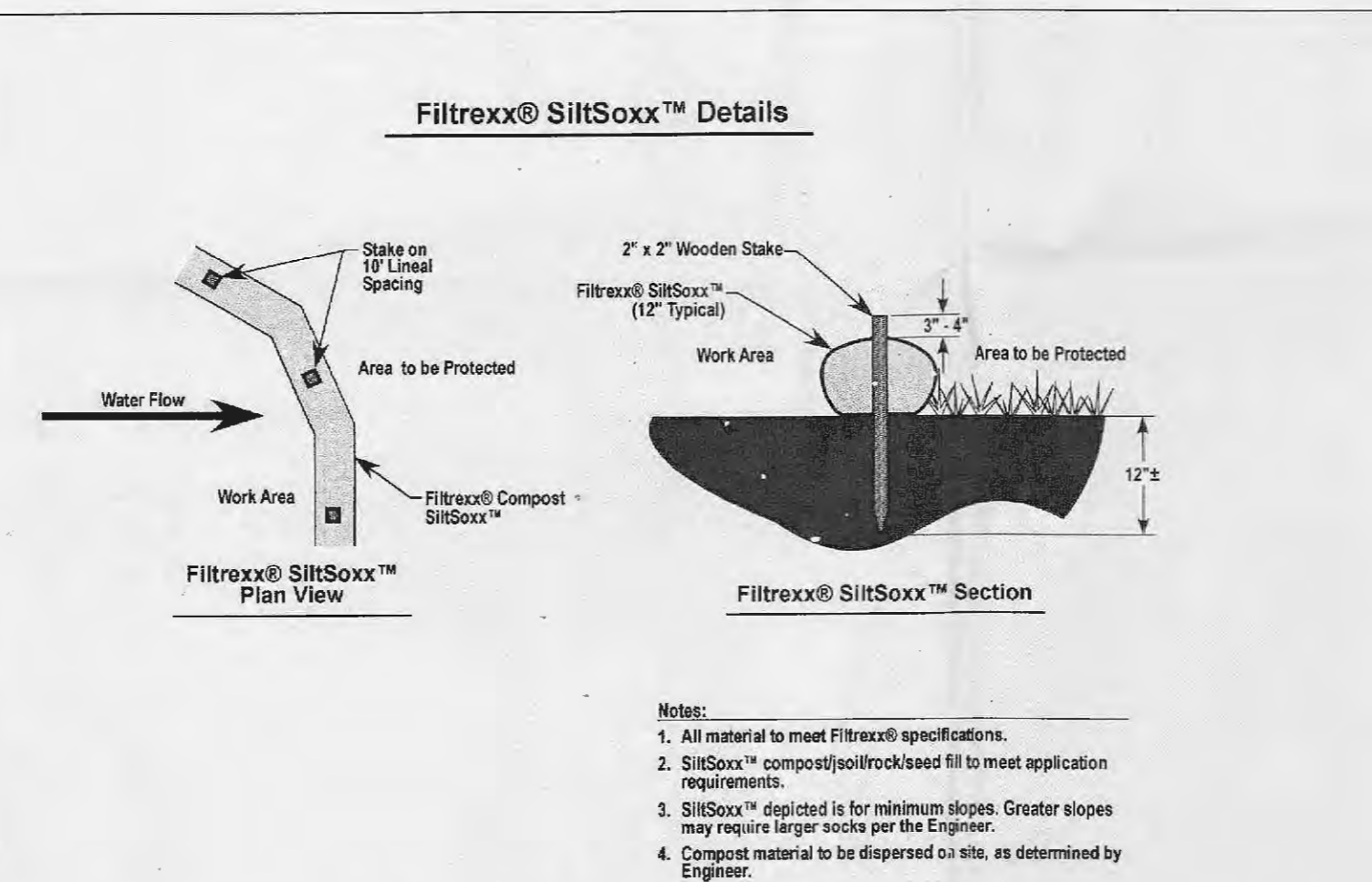
CITY OF O'FALLON
ENGINEERING DEPARTMENT
O'FALLON, MISSOURI

**CURB INLET
PROTECTION**



- NOTES**
1. STRAW BALES, NOT HAY BALES SHALL BE USED.
 2. BUTT ENDS OF BALES TIGHTLY TOGETHER.
 3. INSTALL BALES WITH BINDING AROUND SIDES, NOT TOP AND BOTTOM.
 4. FILL ANY GAP BETWEEN BALES BY WEDGING LOOSE STRAW BETWEEN THEM.

SEDIMENT BARRIER
NOT TO SCALE



- Notes:**
1. All material to meet Filtrexx specifications.
 2. SiltSoxx composite/soilrock based fill to meet application requirements.
 3. SiltSoxx digitized is for minimum slopes. Greater slopes may require larger socks per the Engineer.
 4. Composite material to be dispersed on site, as determined by Engineer.

Maximum Slope Length Above SiltSoxxSM in Feet (meters)*

Slope Percent	Filtrexx SiltSoxx SM in Feet (meters)*				
	8 in (200 mm) SiltSoxx SM	12 in (300 mm) SiltSoxx SM	18 in (450 mm) SiltSoxx SM	24 in (600 mm) SiltSoxx SM	32 in (800 mm) SiltSoxx SM
2 (or less)	7 in (175 mm)**	10 in (250 mm)**	15 in (375 mm)**	20 in (500 mm)**	26 in (650 mm)**
5	600 (180)	750 (225)	1000 (300)	1300 (400)	1650 (500)
10	400 (120)	500 (150)	550 (165)	650 (200)	750 (225)
15	200 (60)	250 (75)	300 (90)	400 (120)	500 (150)
20	140 (40)	170 (50)	200 (60)	325 (100)	450 (140)
25	100 (30)	125 (38)	140 (42)	260 (80)	400 (120)
30	80 (24)	100 (30)	110 (33)	200 (60)	275 (85)
35	60 (18)	75 (23)	90 (27)	130 (40)	200 (60)
40	60 (18)	75 (23)	80 (24)	115 (35)	150 (45)
45	60 (18)	75 (23)	80 (24)	100 (30)	125 (38)
50	40 (12)	50 (15)	60 (18)	80 (24)	100 (30)
50	40 (12)	50 (15)	55 (17)	65 (20)	75 (23)

*Based on a failure point of 36 in (0.9 m) super silt fence (wire reinforced) at 1000 ft (303 m) of slope, watershed width equivalent to receiving length of sediment control device, 1 in/24 hr (2.5 mm/24 hr) rain event. **Effective height of SiltSoxxSM after installation and with constant head from runoff as determined by Ohio State University.

PROJECT TITLE:
SHOCKLEY STOCKPILE/
GRADING PLAN



ENGINEERING
PLANNING
SURVEYING

221 Point West Blvd.
St. Charles, MO 63301
636-928-6562
FAX 636-928-1718

DISCLAIMER OF RESPONSIBILITY
I hereby specify that the documents intended to be authorized by my seal are limited to this sheet, and I hereby disclaim any responsibility for all other drawings, specifications, estimates, reports or other documents or instruments relating to or intended to be used for any part or parts of the architectural or engineering project or responsibility.

STATE OF MISSOURI
CLIFFORD L. HEITMANN
NUMBER
E-29817
REGISTERED PROFESSIONAL ENGINEER

CLIFFORD L. HEITMANN
CIVIL ENGINEER
E29817

Copyright 2015
Box Engineering Company, Inc.
Authority No. 000655
All Rights Reserved

REVISIONS

NO.	DATE	CITY COMMENTS
10-20-15		

Developer / Owner:
SHOCKLEY REAL ESTATE
501 FIRST CAPITOL DR., SUITE 5
ST. CHARLES, MO 63301
636-946-9753

COMMERCIAL DETAILS

P+Z No. #
City No. 15-589

Page No.
3 of 3

VAULTSERVER\Civil\3d Projects\11282C Shockley Stockpile\Pre\liminary\11282Cgrd.dwg, 10/20/2015 11:30:06 AM, 1:1

Issue Date: 10/20/2015