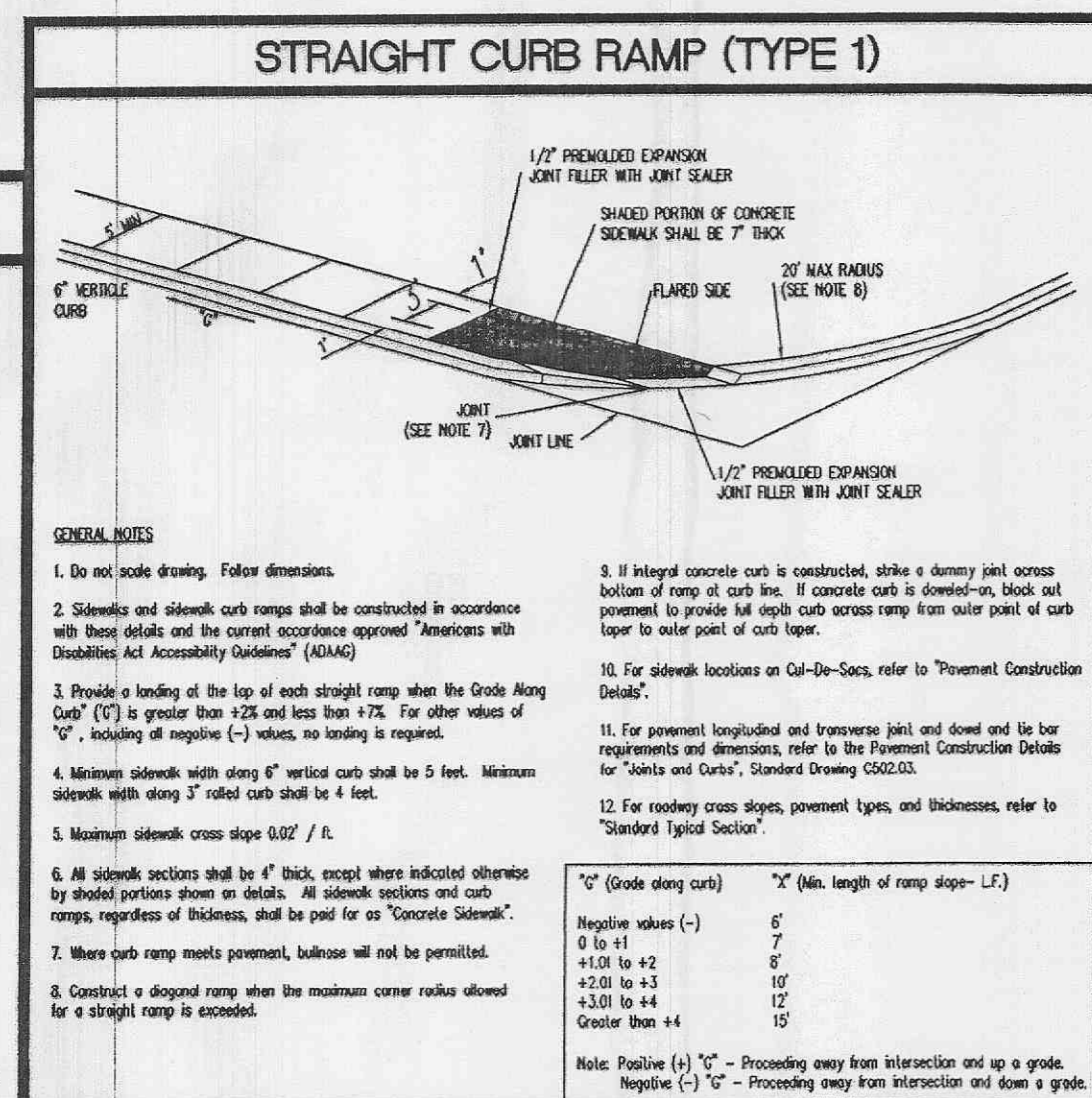
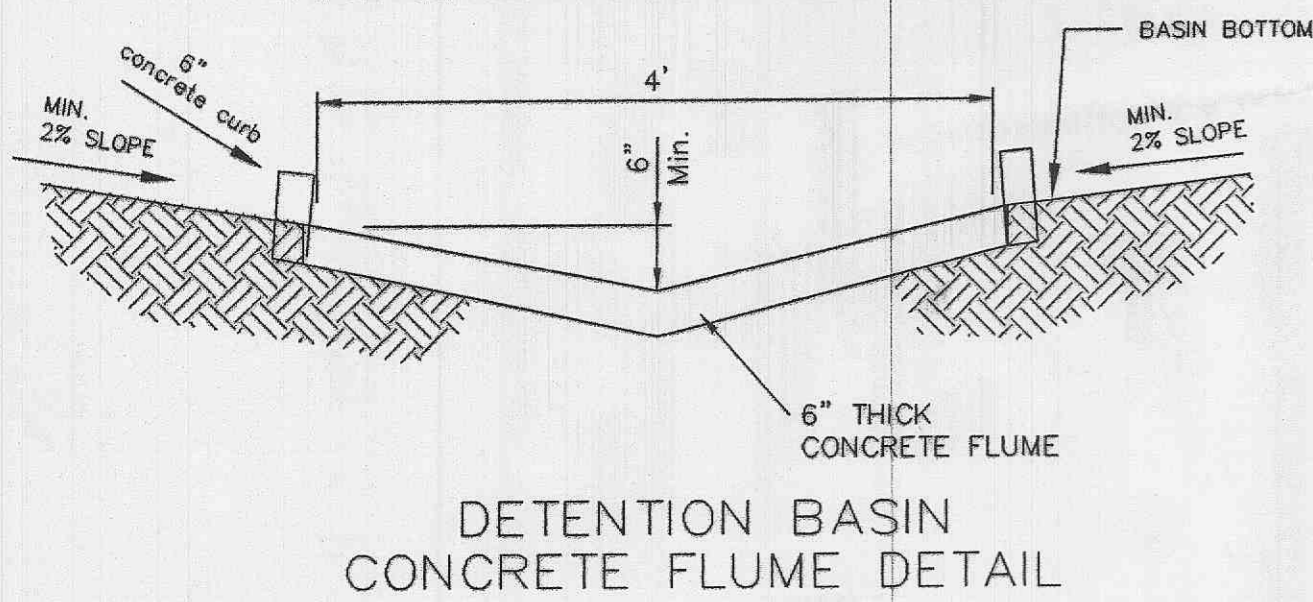


- NOTES:**
1. CONCRETE SHALL BE 3000 p.s.i. STRENGTH AT 28 DAYS.
 2. 1 1/2" PREFORMED FIBER JOINT WITH JOINT SEALER TO BE CONSTRUCTED AS TRANSVERSE JOINT AT 50' INTERVALS.
 3. MINIMUM CHANNEL SLOPE TO BE 1.0%.
 4. BASIN BOTTOM TO SLOPE A MINIMUM OF 2% TO FLUME



VEGETATIVE ESTABLISHMENT FOR URBAN DEVELOPMENT SITES

APPENDIX A

Seeding Rates

Permanent:

- Tall Fescue - 30 lbs./ac.
- Smooth Brome - 20 lbs./ac.
- Combined Fescue @ 15 lbs./ac. and Brome @ 10 lbs./ac.

Temporary:

- Wheat or Rye - 150 lbs./ac. (3.5 lbs. per 1000 square foot)
- Oats - 120 lbs./ac. (2.75 lbs. per 1000 square foot)

Seeding Periods:

- Fescue or Brome: March 1 to June 1
- Wheat or Rye: August 1 to October 1
- Oats: March 15 to November 1

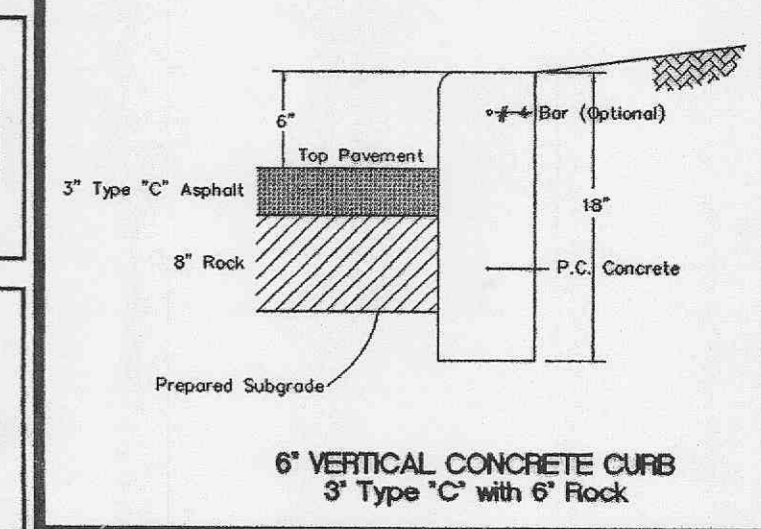
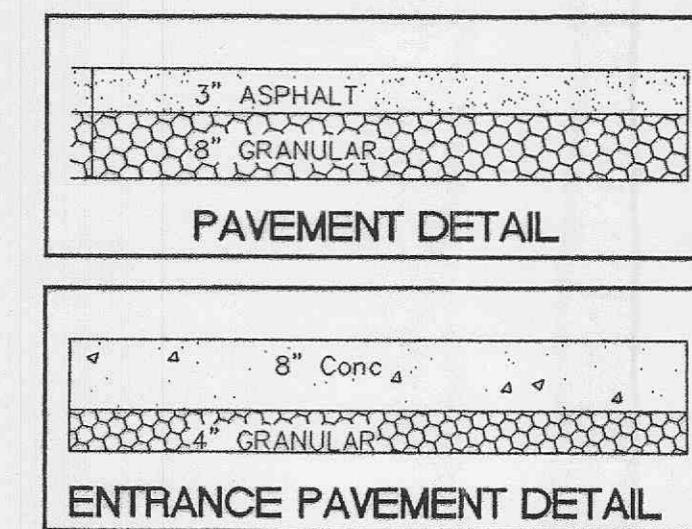
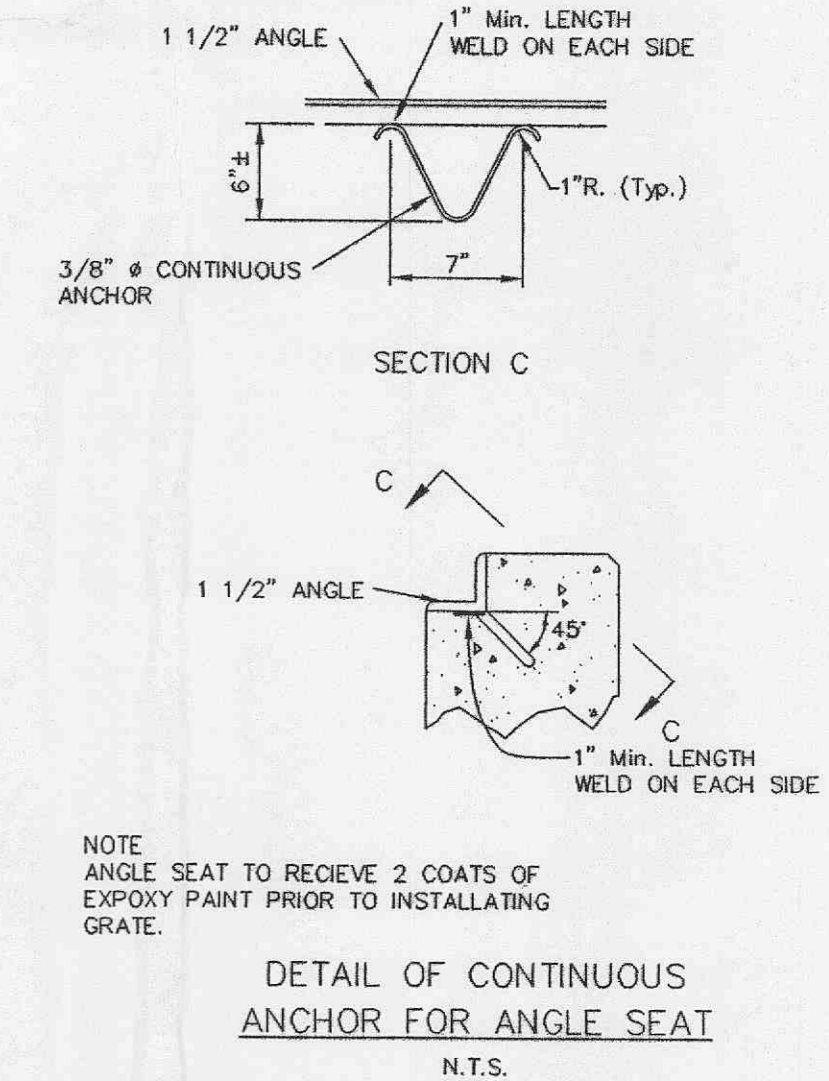
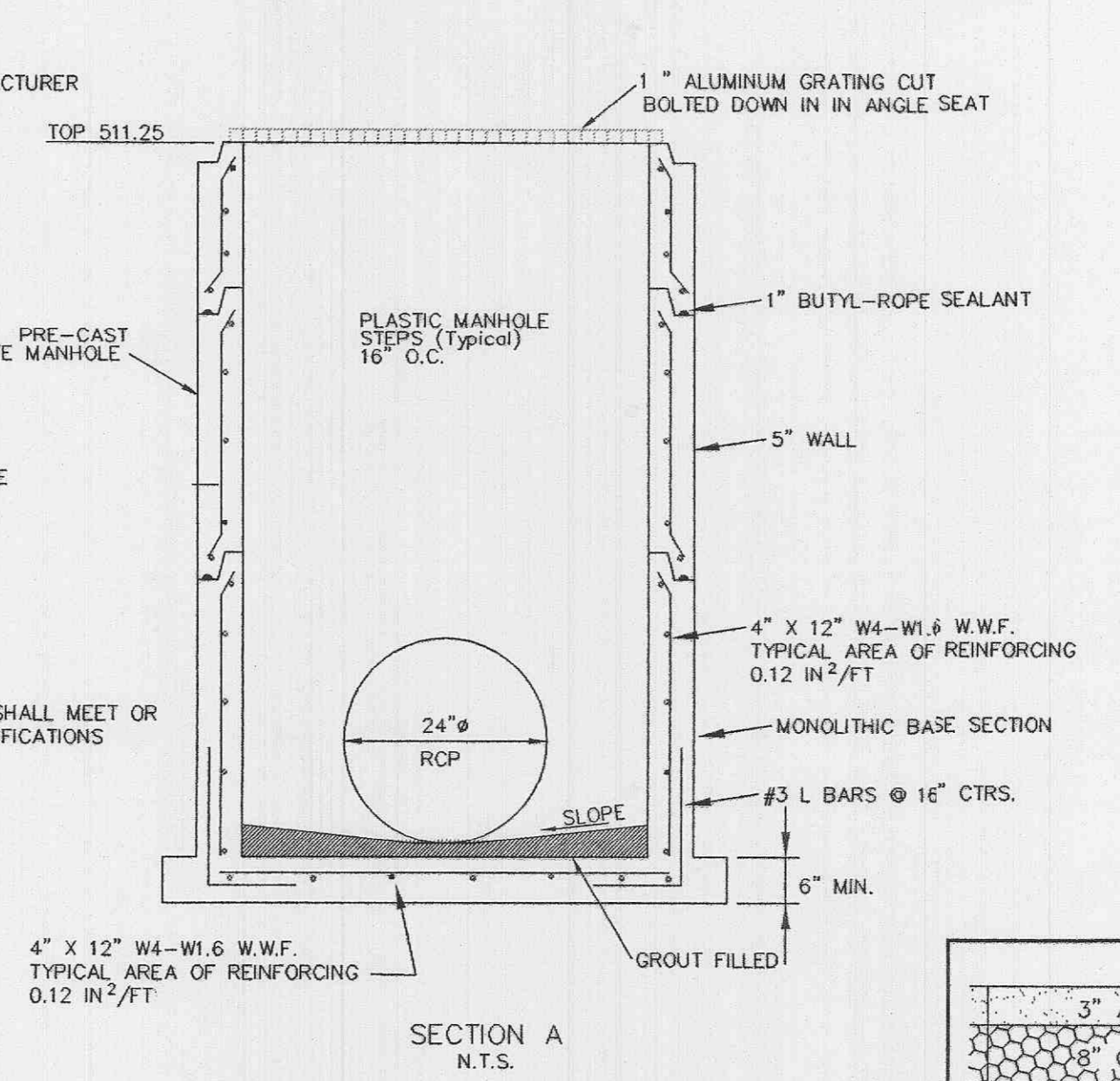
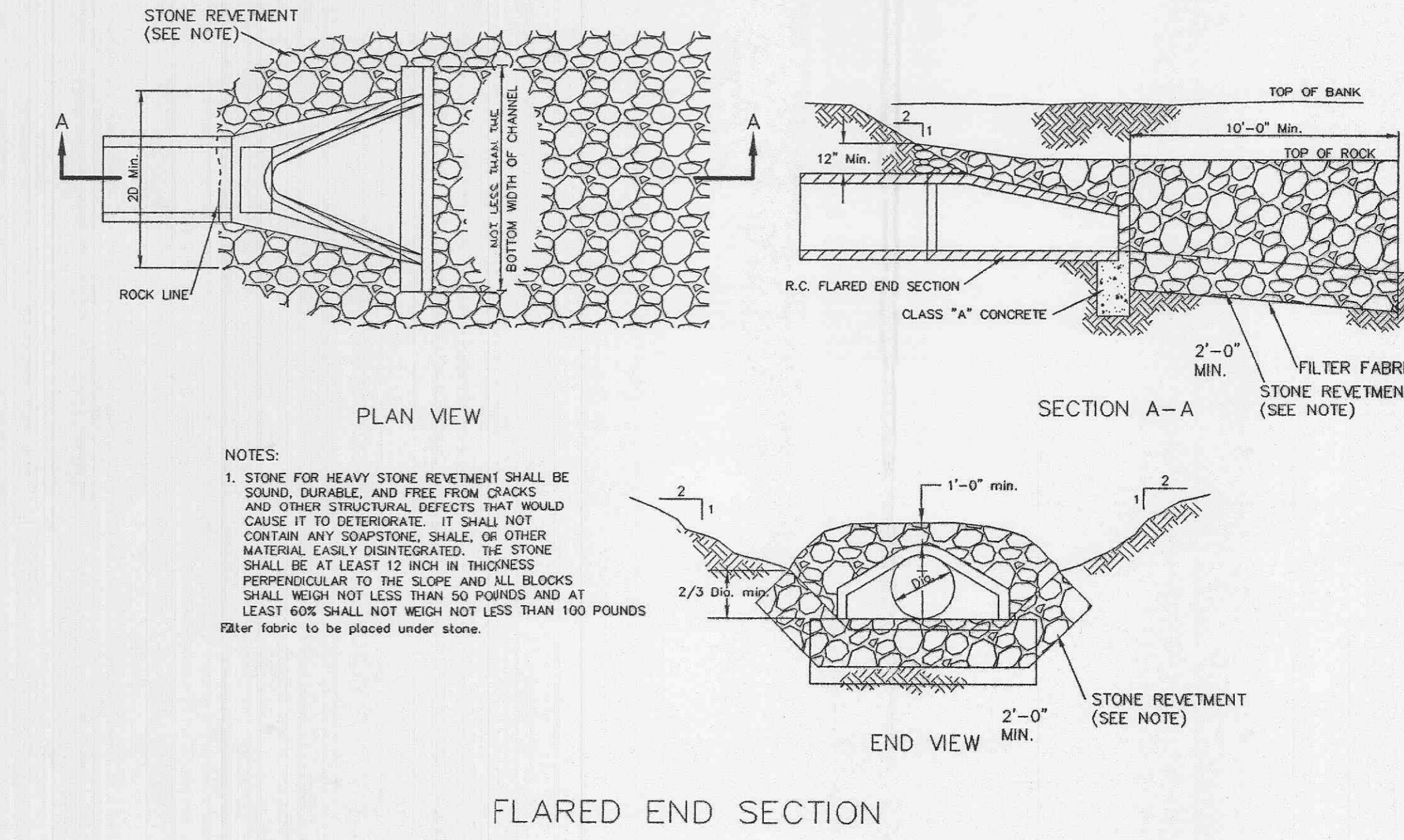
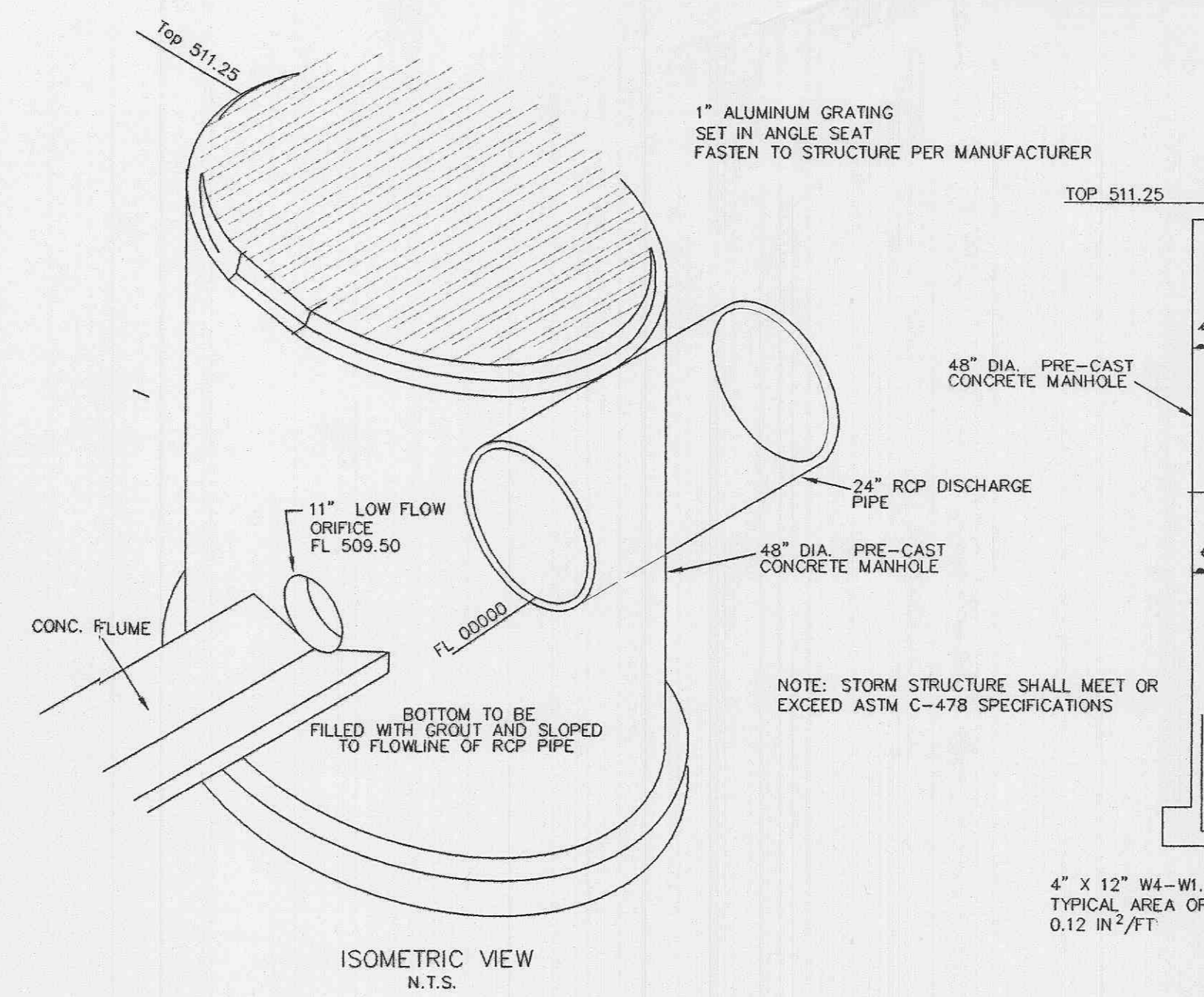
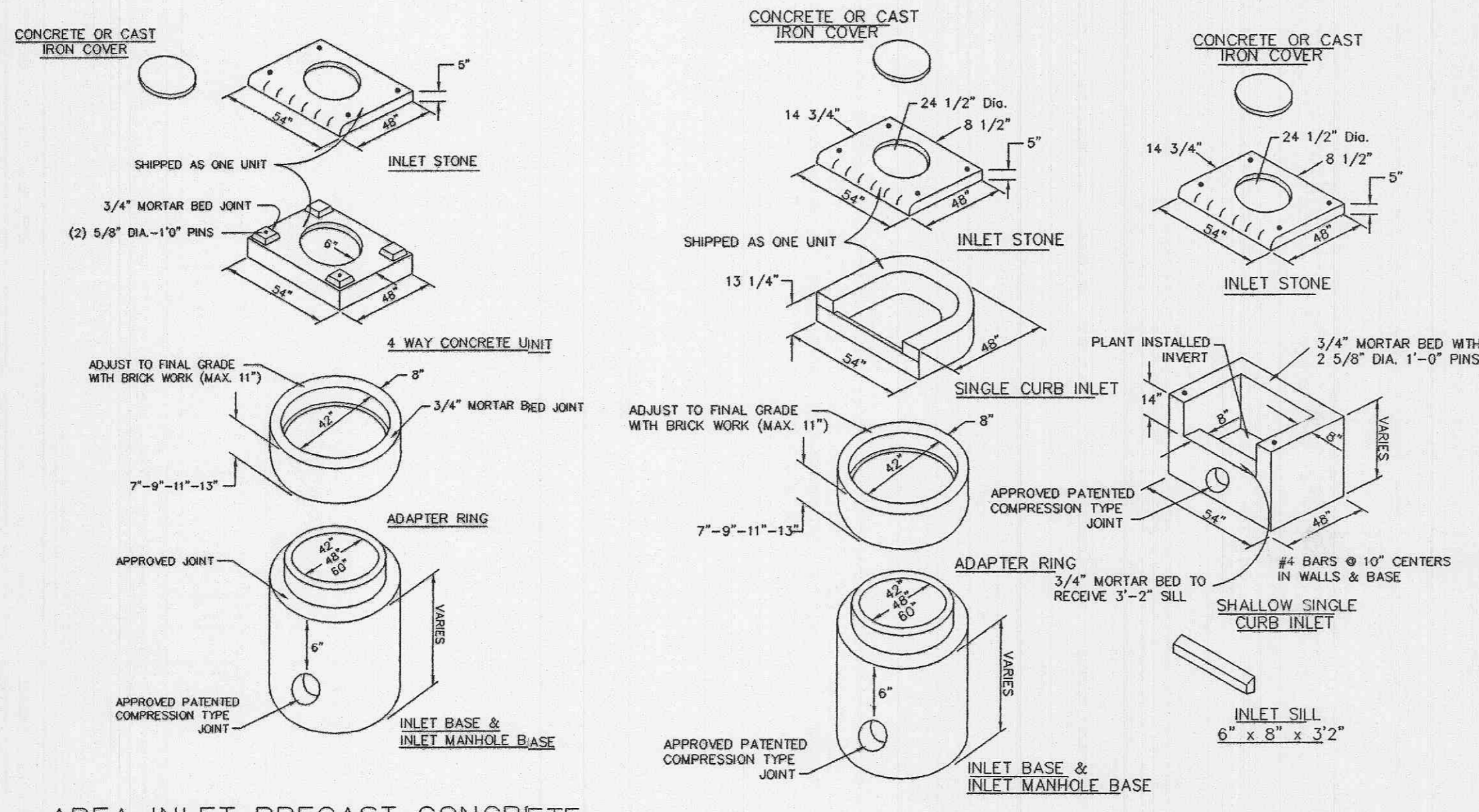
Mulch Rates:

100 lbs. Per 1000 sq. ft. (4,356 lbs. per acre)

Fertilizer Rates:

- Nitrogen: 30 lbs./ac.
- Phosphate: 30 lbs./ac.
- Potassium: 30 lbs./ac.
- Lime: 600 lbs./ac. ENM

ENM - Effective Neutralizing Material as per State evaluation of quarried rock.



09/19/01 Revised as per City of O'Fallon
11/14/01 Revised as per City of O'Fallon

T.L. DWYER DESIGN
1208 MISSOURI AVENUE
ST. LOUIS, MO 63104
TEL:(314) 494-5555 FAX (418)502-0392

ORDER NO.
ORD-NUM
DATE
7/07/01

6