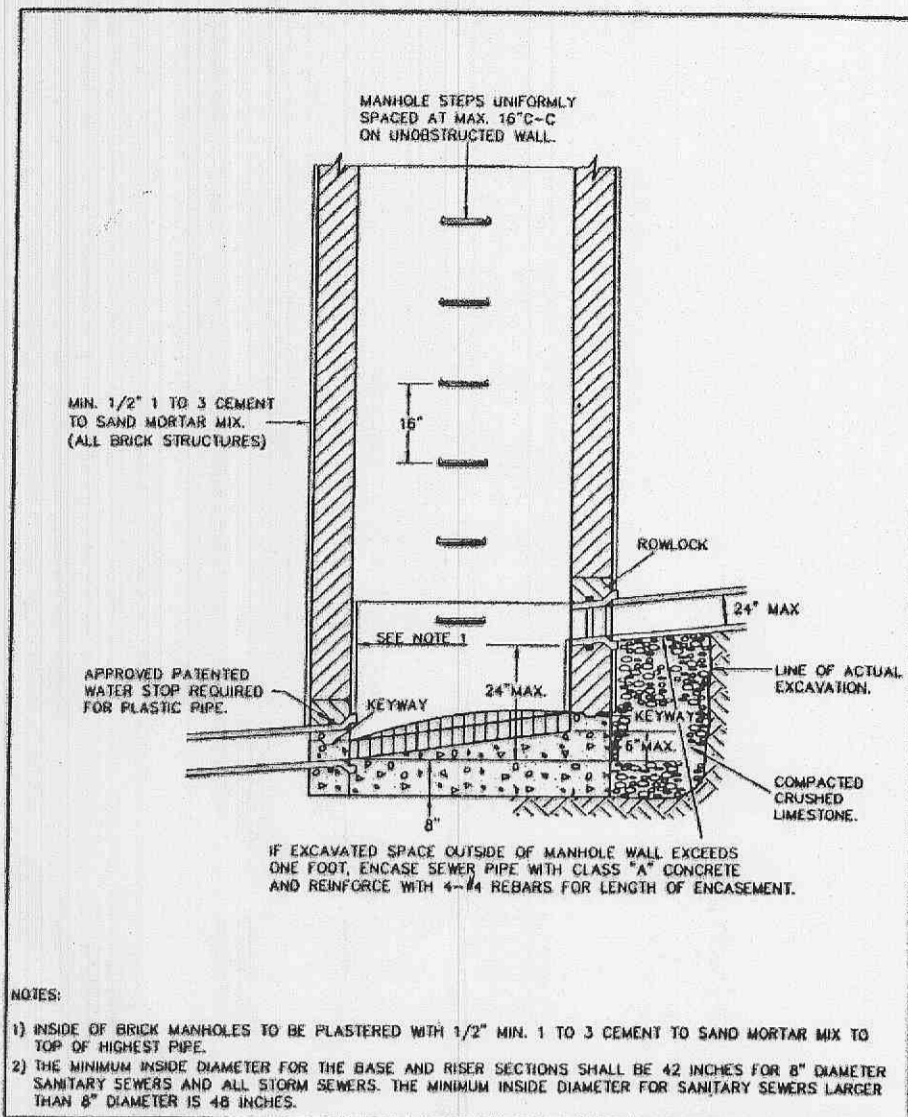
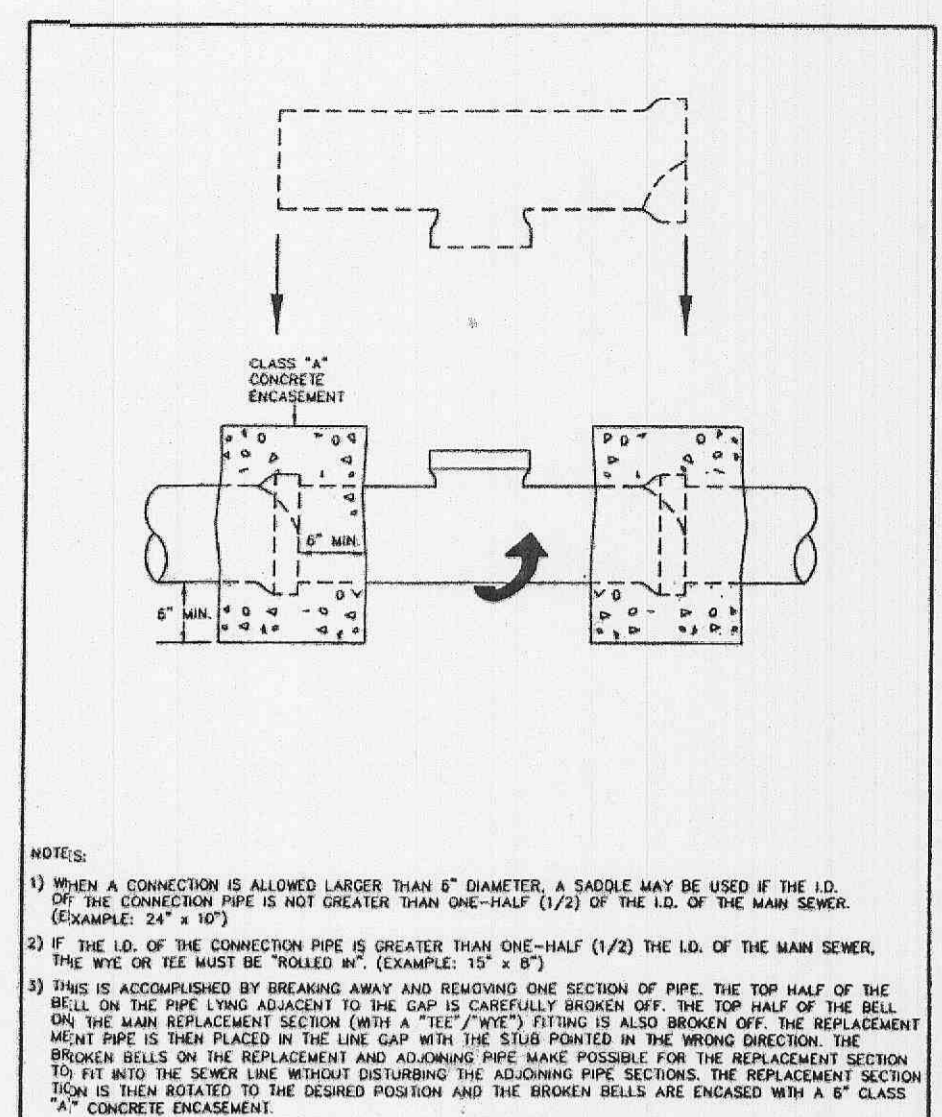


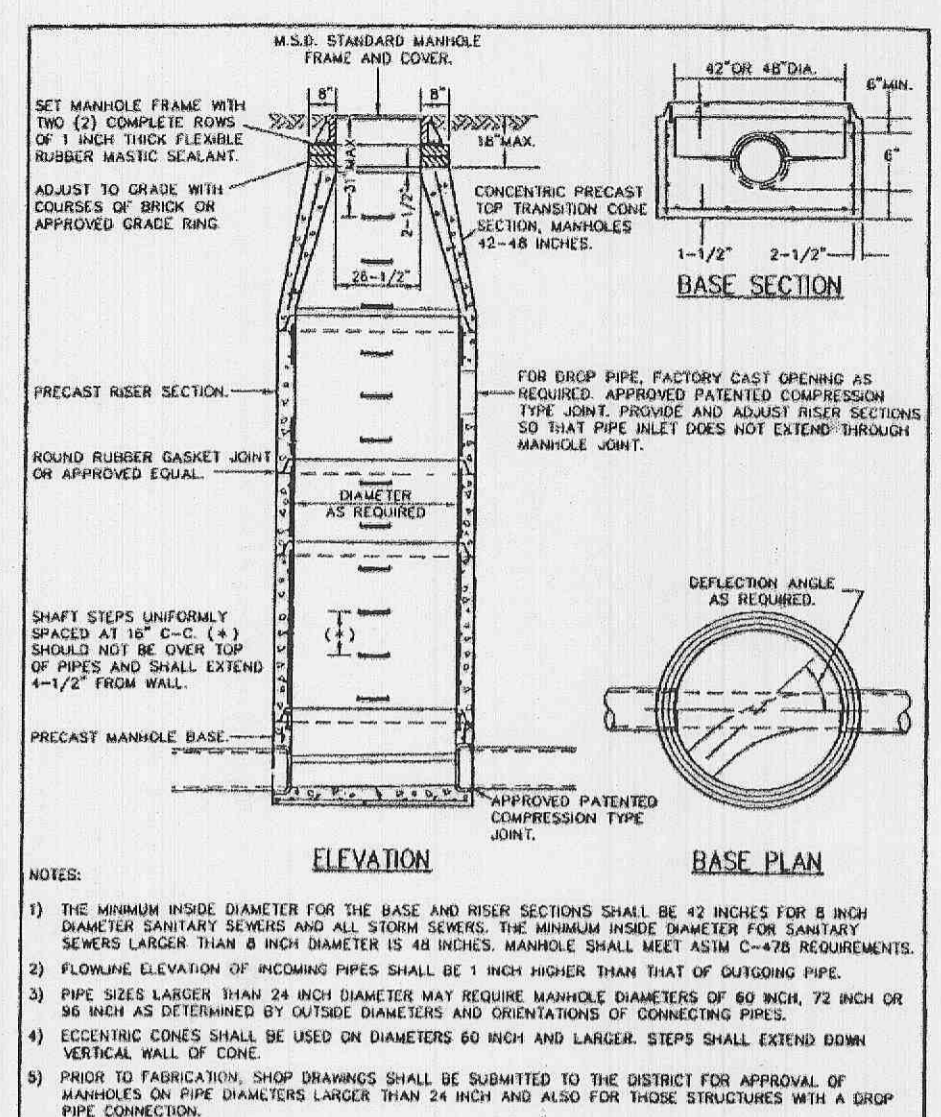
NEW INSIDE DROP ON EXISTING MANHOLE FOR SEWERS 8 INCH TO 12 INCH
 METROPOLITAN ST. LOUIS SEWER DISTRICT
 Standard Details of Sewer Construction
 Dr. RW/SAM Ch. J.C.K. 2000 SHEET 18



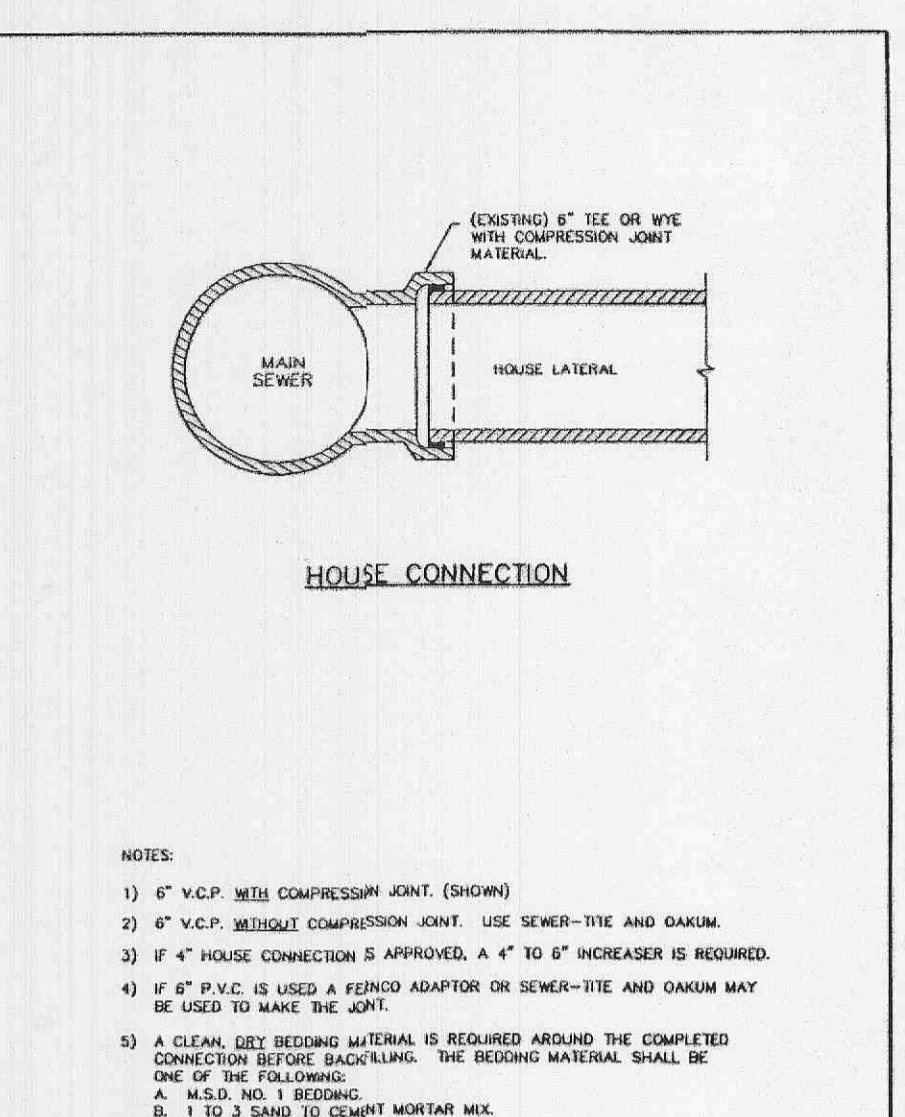
INSIDE FOUWATER DROP MANHOLE (FOR FREE-FALL)
 METROPOLITAN ST. LOUIS SEWER DISTRICT
 Standard Details of Sewer Construction
 Dr. WSH/SAM Ch. J.C.K. 2000 SHEET 19



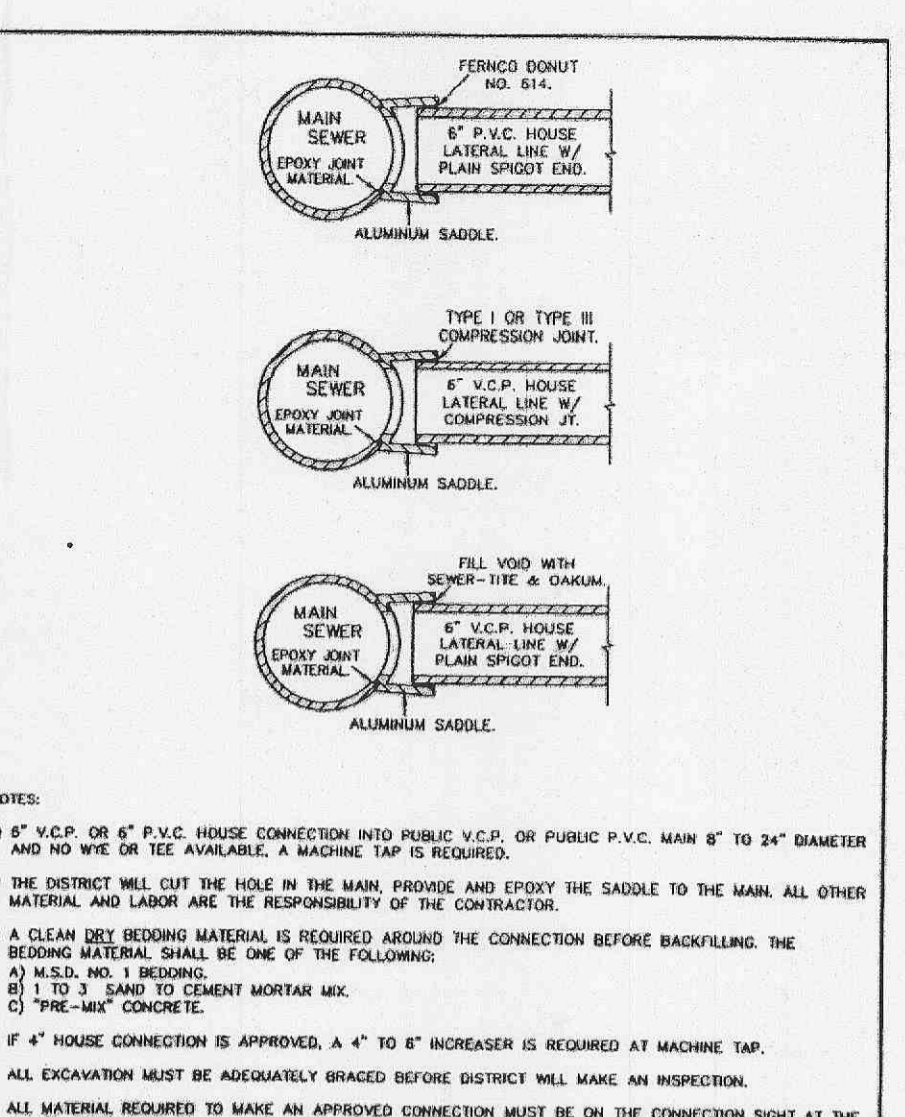
ROLL-IN (FOR EXISTING CLAY OR CONCRETE PIPE)
 METROPOLITAN ST. LOUIS SEWER DISTRICT
 Standard Details of Sewer Construction
 Dr. DAB/SAM Ch. J.C.K. 2000 SHEET 67



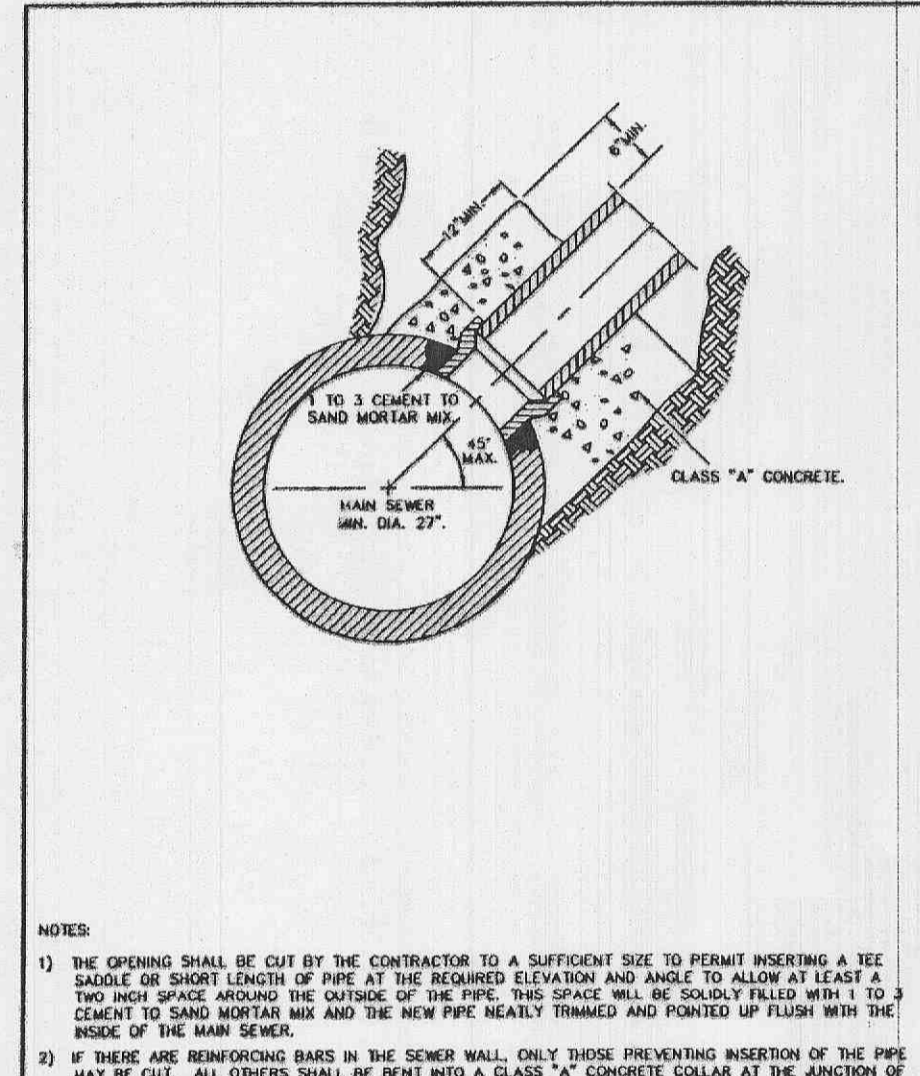
PRECAST CONCRETE MANHOLE
 METROPOLITAN ST. LOUIS SEWER DISTRICT
 Standard Details of Sewer Construction
 Dr. WSH/SAM Ch. J.C.K. 2000 SHEET 21



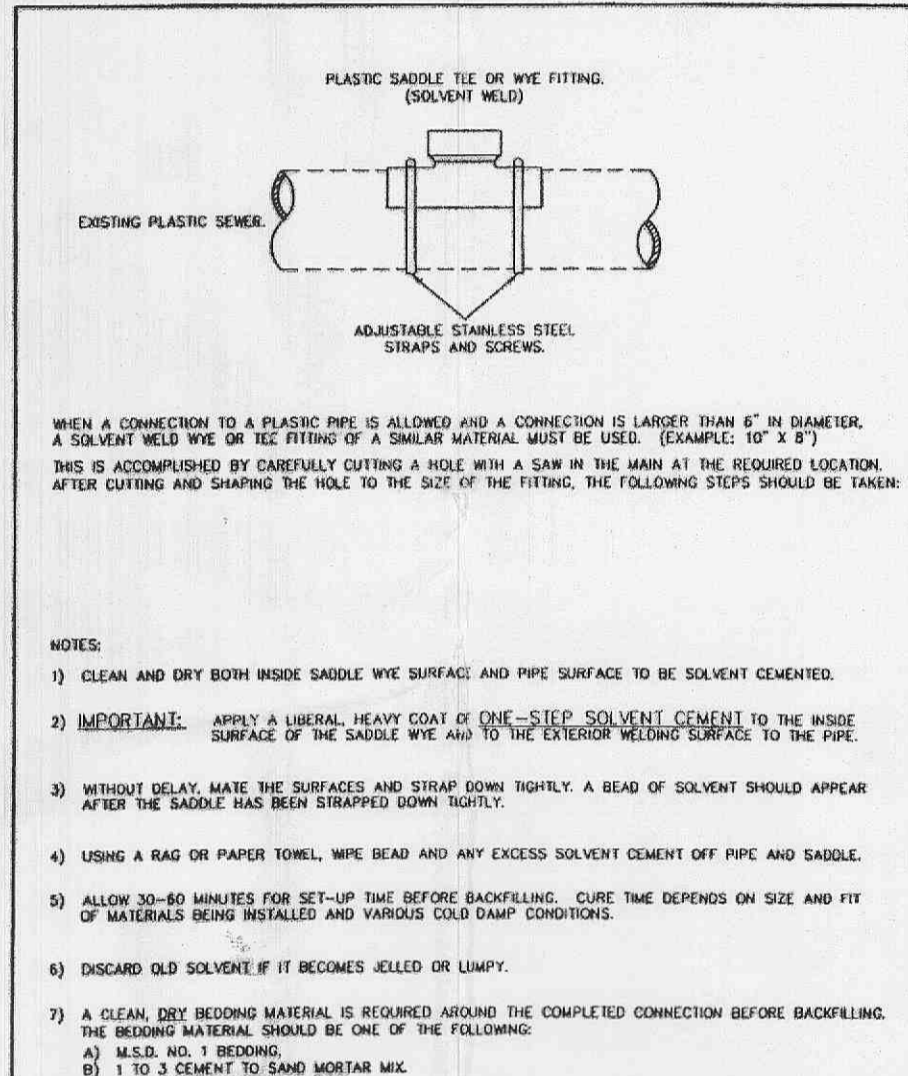
HOUSE CONNECTION TO EXISTING TEE OR WYE
 METROPOLITAN ST. LOUIS SEWER DISTRICT
 Standard Details of Sewer Construction
 Dr. DAB/SAM Ch. J.C.K. 2000 SHEET 63



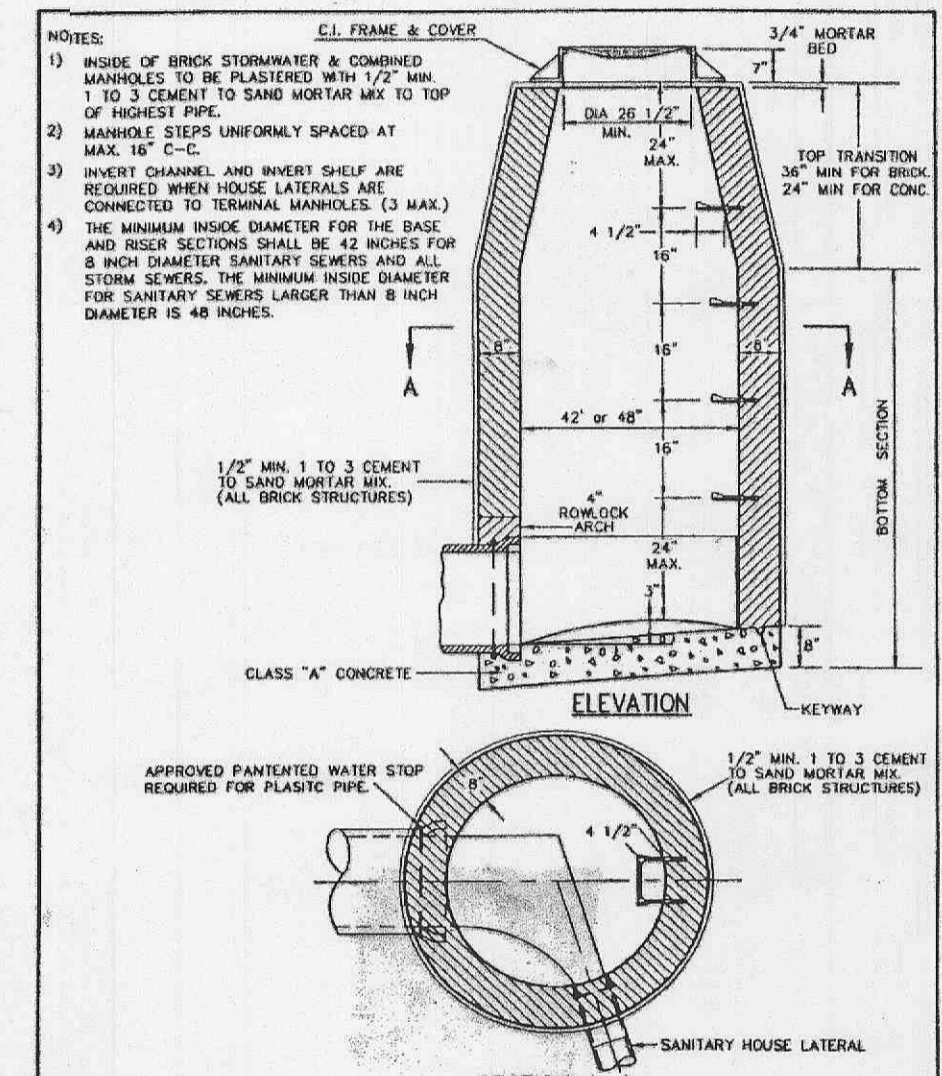
MACHINE TAP
 METROPOLITAN ST. LOUIS SEWER DISTRICT
 Standard Details of Sewer Construction
 Dr. WSH/SAM Ch. J.C.K. 2000 SHEET 64



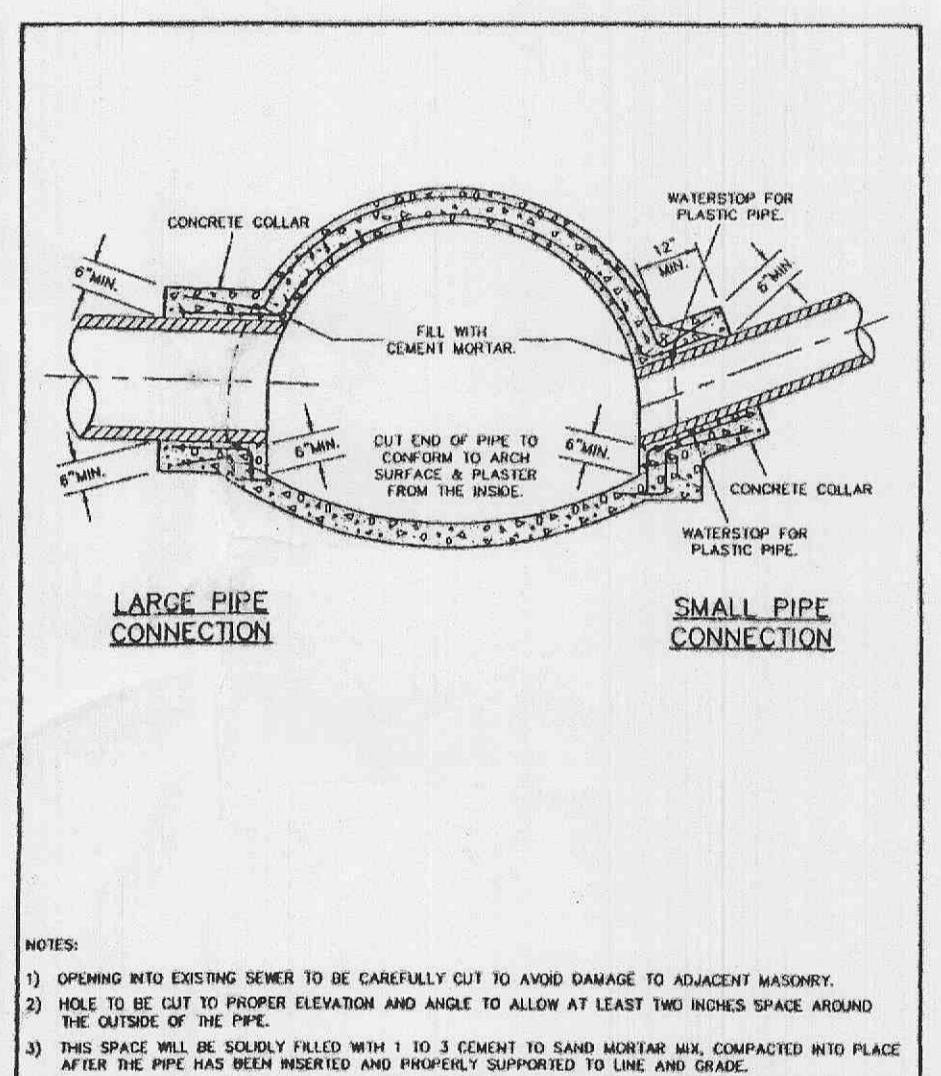
HOUSE CONNECTIONS ALLOWED BY TEE SADDLE
 METROPOLITAN ST. LOUIS SEWER DISTRICT
 Standard Details of Sewer Construction
 Dr. DAB/SAM Ch. J.C.K. 2000 SHEET 65



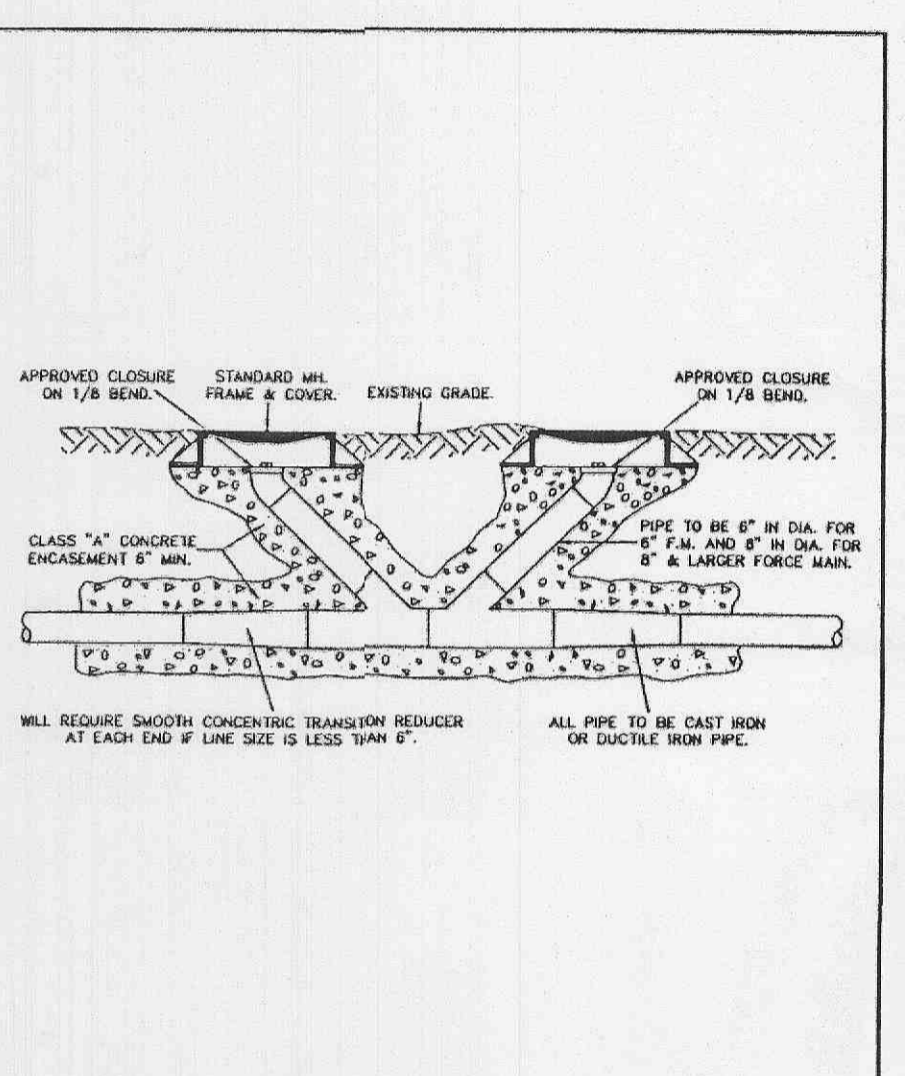
8\"/>



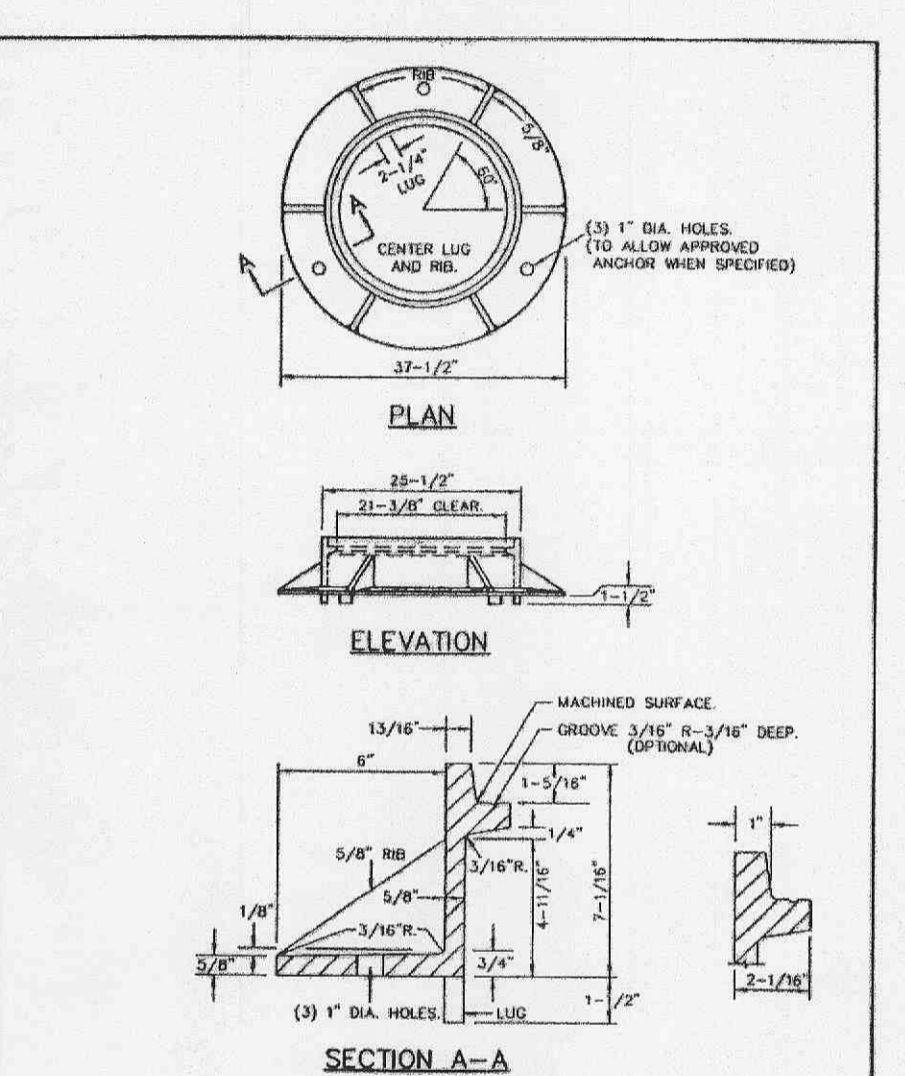
TERMINAL MANHOLE
 METROPOLITAN ST. LOUIS SEWER DISTRICT
 Standard Details of Sewer Construction
 Dr. WSH/SAM Ch. J.C.K. 2000 SHEET 20



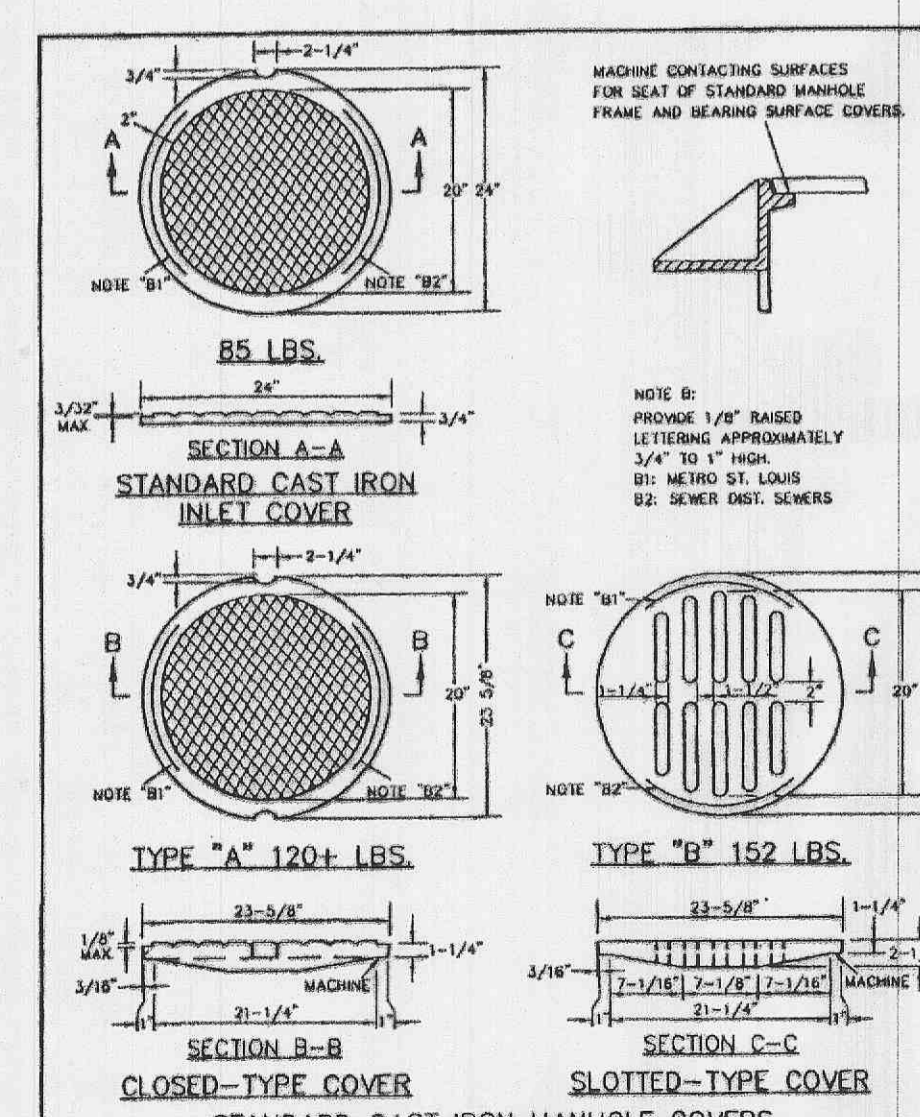
CONNECTIONS TO LARGE SEWERS
 METROPOLITAN ST. LOUIS SEWER DISTRICT
 Standard Details of Sewer Construction
 Dr. WSH/SAM Ch. J.C.K. 2000 SHEET 58



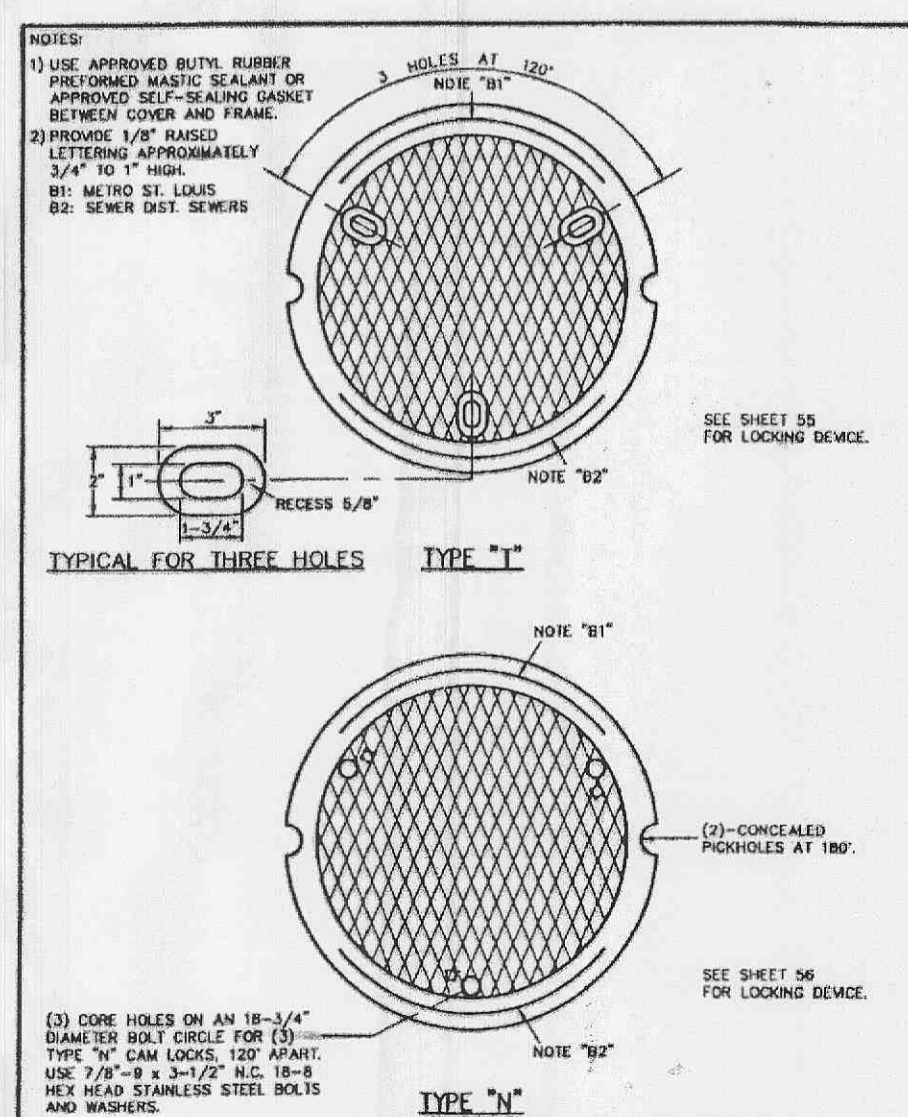
FORCE MAIN CLEANOUT (6\"/>



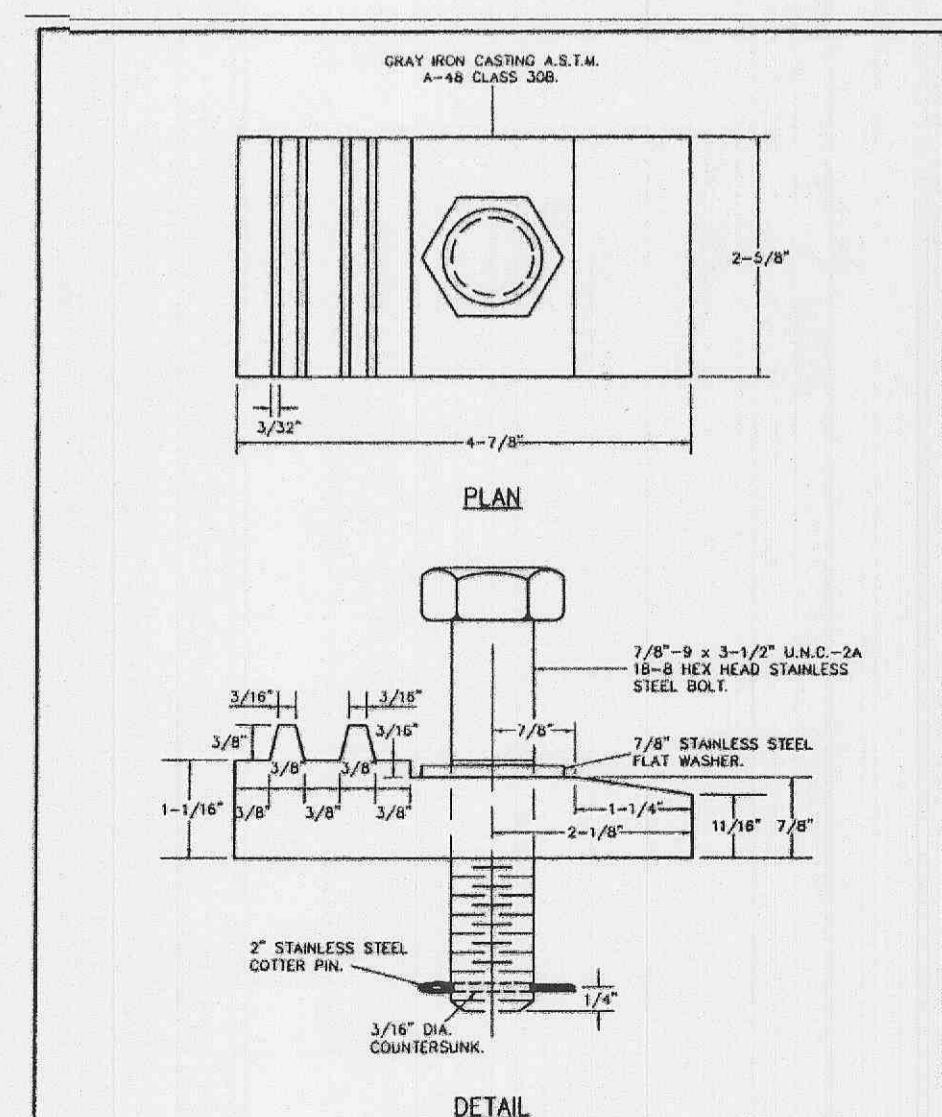
CAST IRON MANHOLE FRAME
 METROPOLITAN ST. LOUIS SEWER DISTRICT
 Standard Details of Sewer Construction
 Dr. DAB/SAM Ch. J.C.K. 2000 SHEET 52



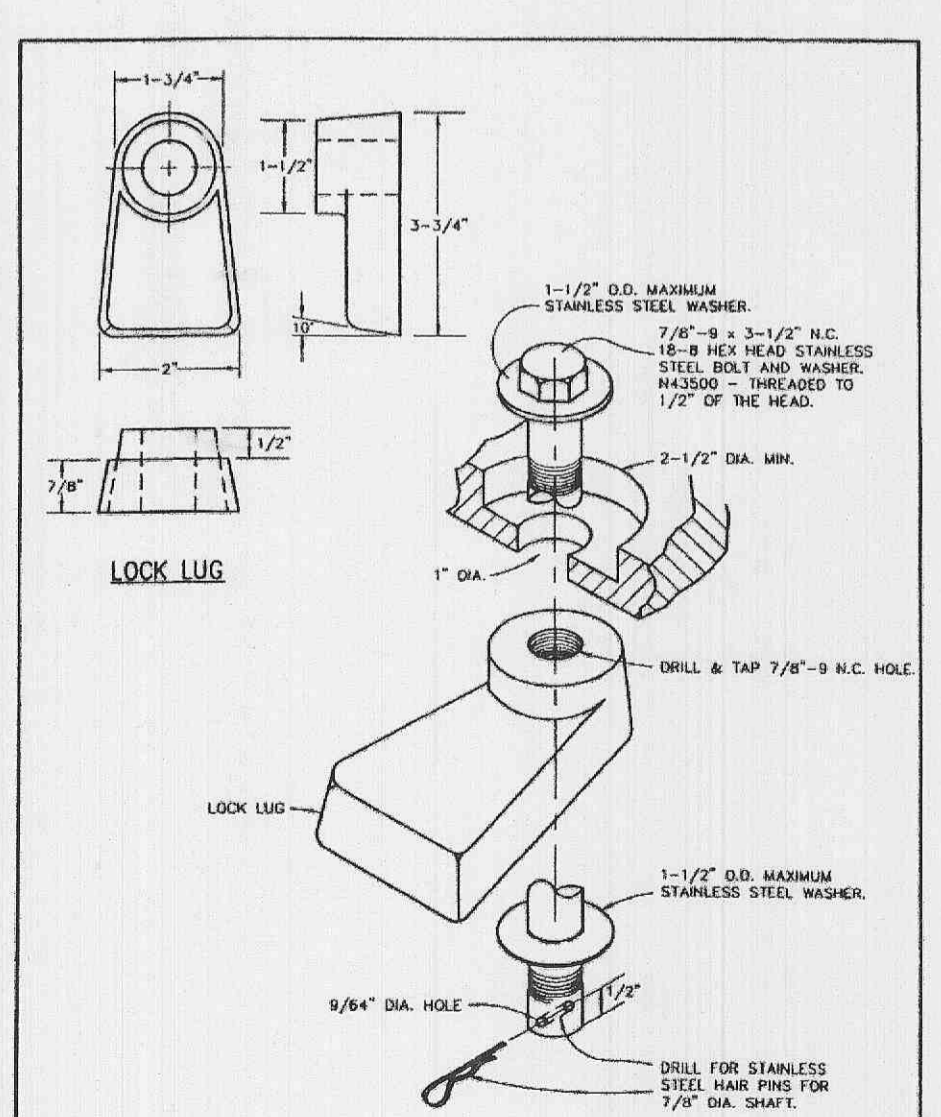
CAST IRON COVERS MANHOLES AND INLETS
 METROPOLITAN ST. LOUIS SEWER DISTRICT
 Standard Details of Sewer Construction
 Dr. RW/SAM Ch. J.C.K. 2000 SHEET 53



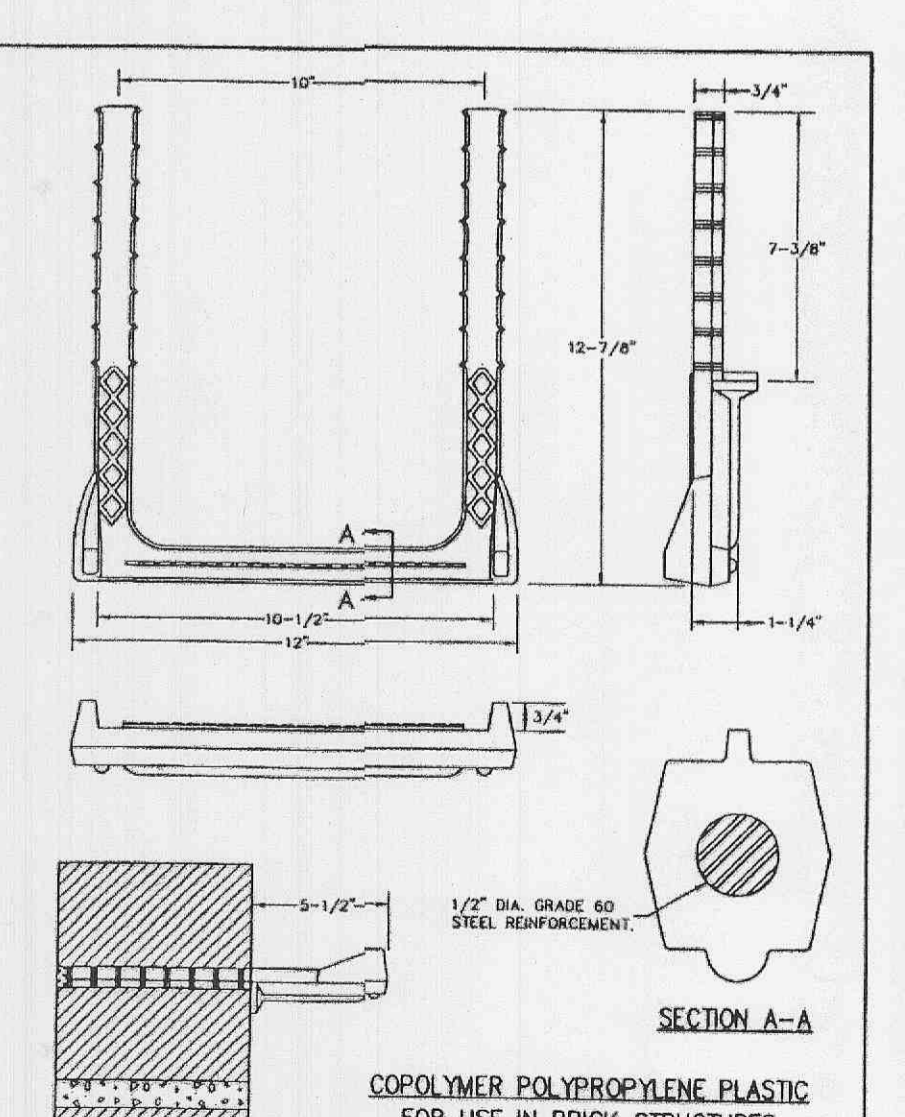
CAST IRON MANHOLE COVERS (LOCK TYPE)
 METROPOLITAN ST. LOUIS SEWER DISTRICT
 Standard Details of Sewer Construction
 Dr. WSH/SAM Ch. J.C.K. 2000 SHEET 54



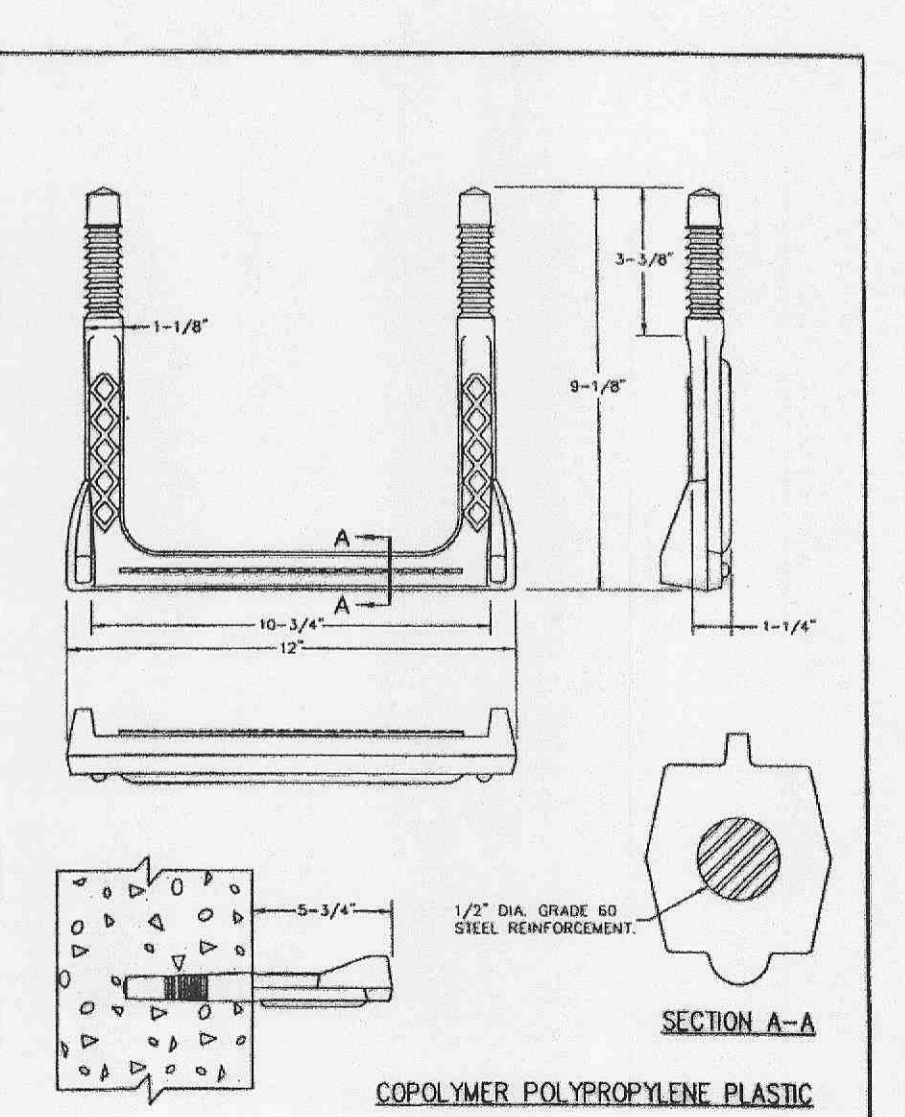
LOCKING DEVICE FOR TYPE \"/>



LOCKING DEVICE FOR TYPE \"/>



PSI-B MANHOLE STEP INTO JOINT
 METROPOLITAN ST. LOUIS SEWER DISTRICT
 Standard Details of Sewer Construction
 Dr. J.G/SAM Ch. J.C.K. 2000 SHEET 57



MANHOLE STEP FOR PRECAST & CAST-IN-PLACE MANHOLE
 METROPOLITAN ST. LOUIS SEWER DISTRICT
 Standard Details of Sewer Construction
 Dr. D.A.B. Ch. J.C.K. 2000 SHEET 58

SANITARY DETAILS

T.L. DWYER DESIGN
 1208 MISSOURI AVENUE
 ST. LOUIS, MO 63104
 TEL:(814) 484-5655 FAX: (413)502-0892

ORDER NO.
ORD-NUM
DATE
 7/07/01
7