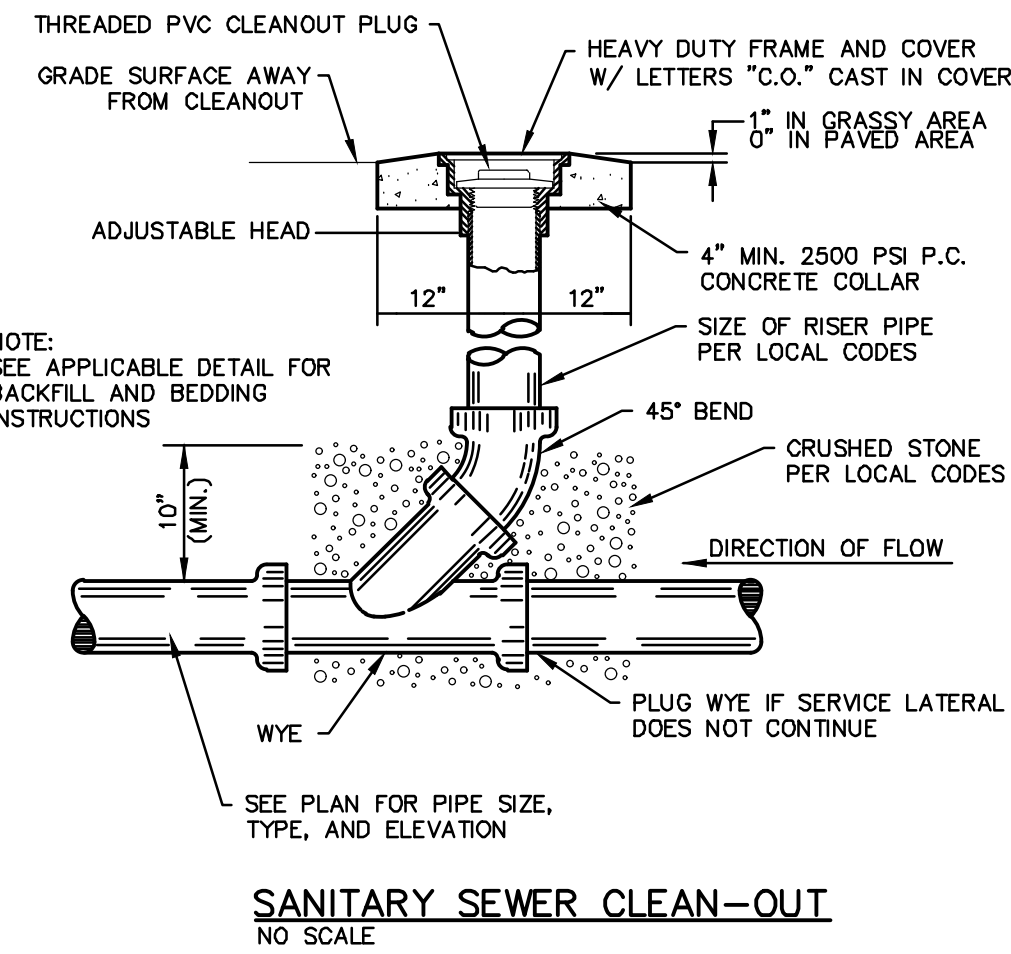
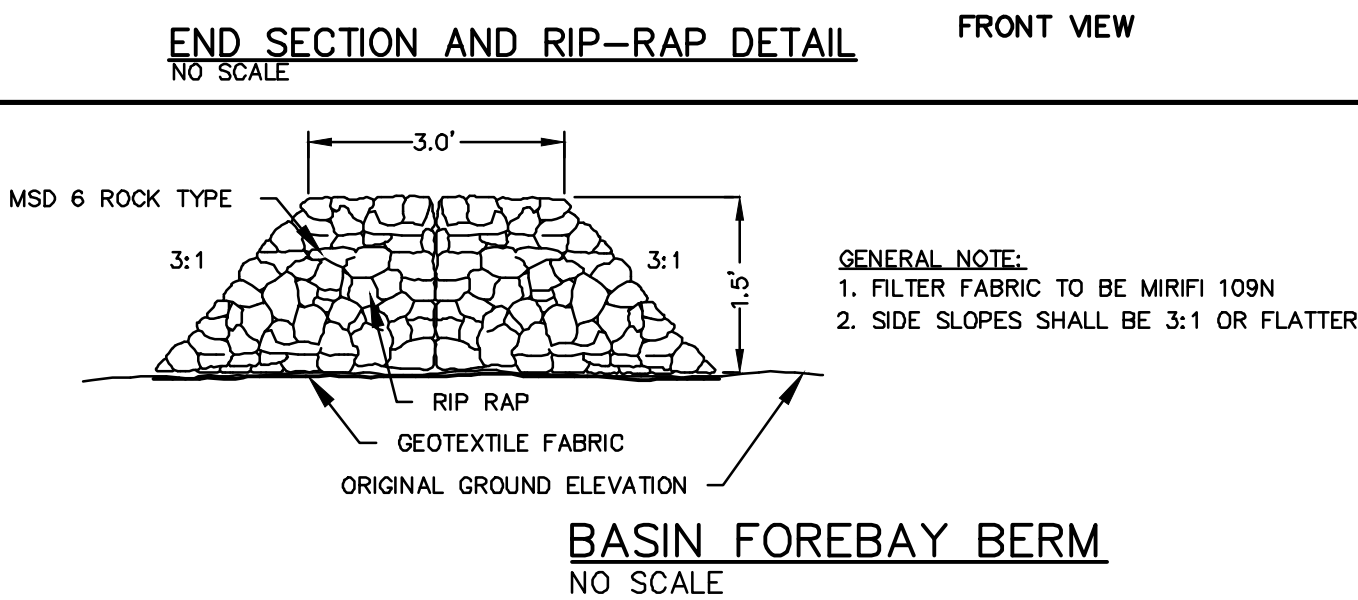
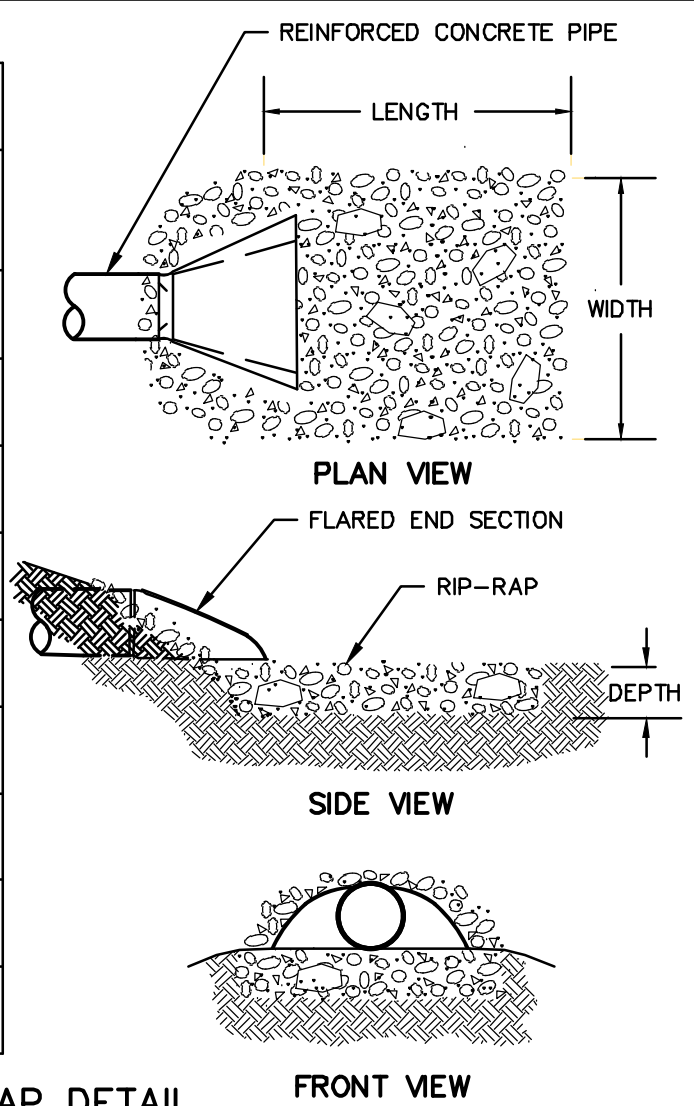
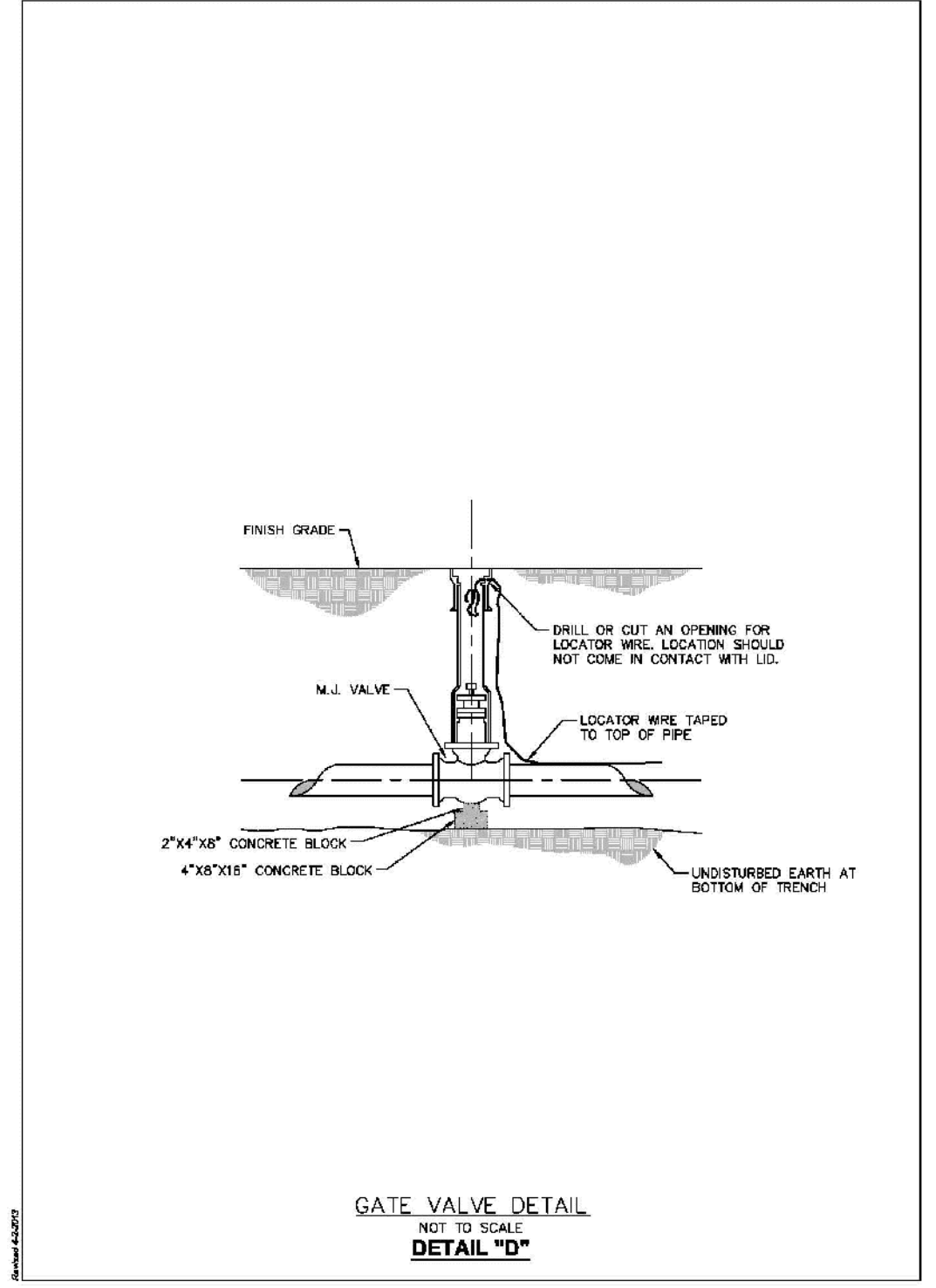


RIP-RAP SCHEDULE (MINIMUMS)

PIPE DIA. (IN.)	DEPTH (IN.)	WIDTH (FT.)	LENGTH (FT.)	MIN. TO MAX. SIZE RIP-RAP (IN.)
12	12	4	10	4-12
15	12	4	11	4-12
18	12	4	12	6-12
21	12	5	13	6-12
24	18	6	14	6-12
30	18	7	16	6-12
36	18	12	20	6-12
48	24	20	20	6-18
60	24	25	25	6-18

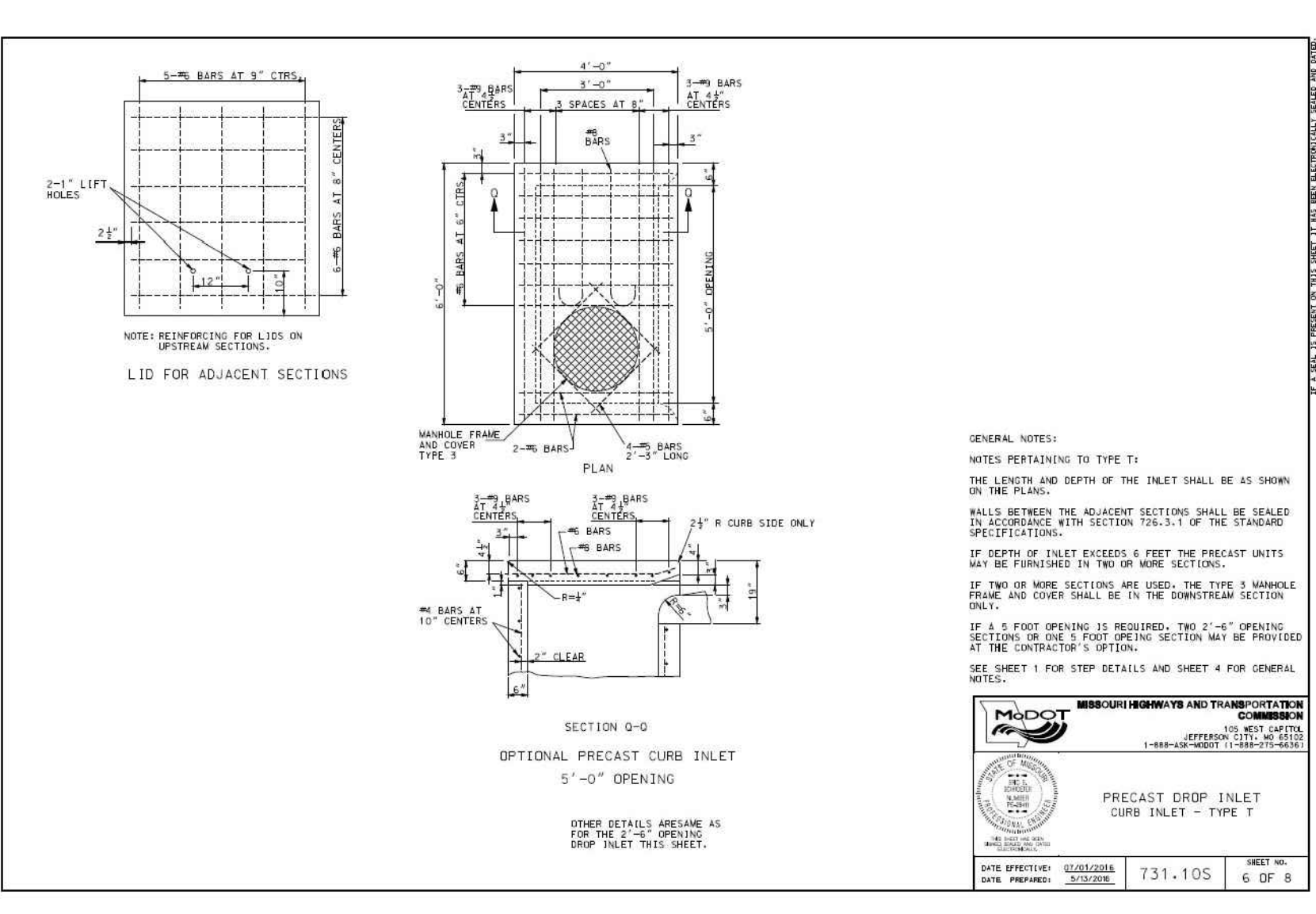
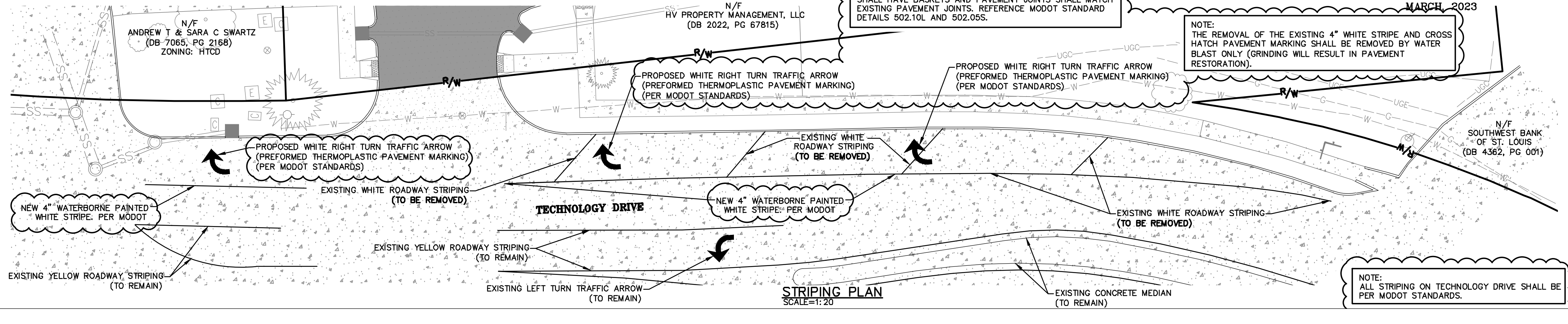
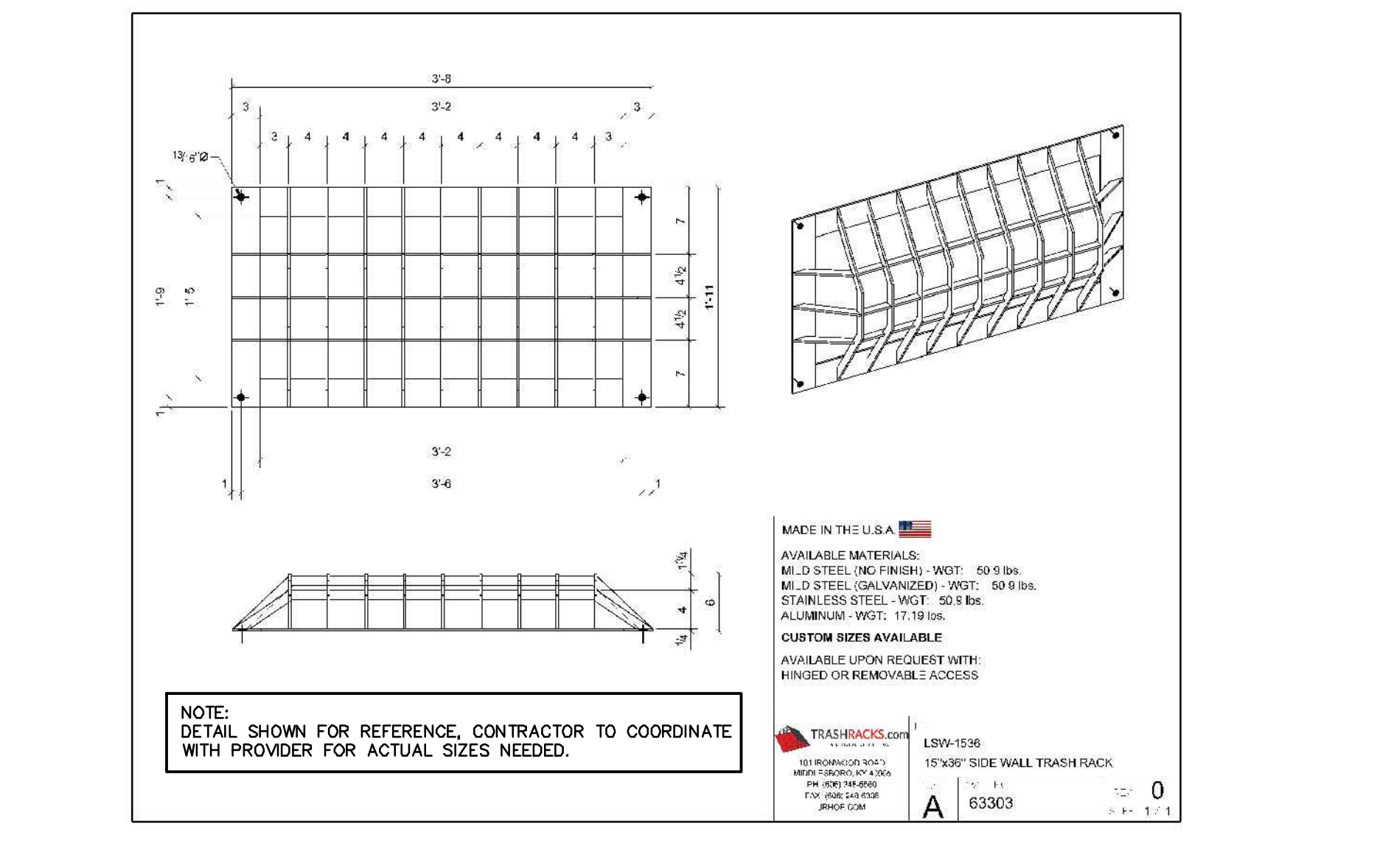
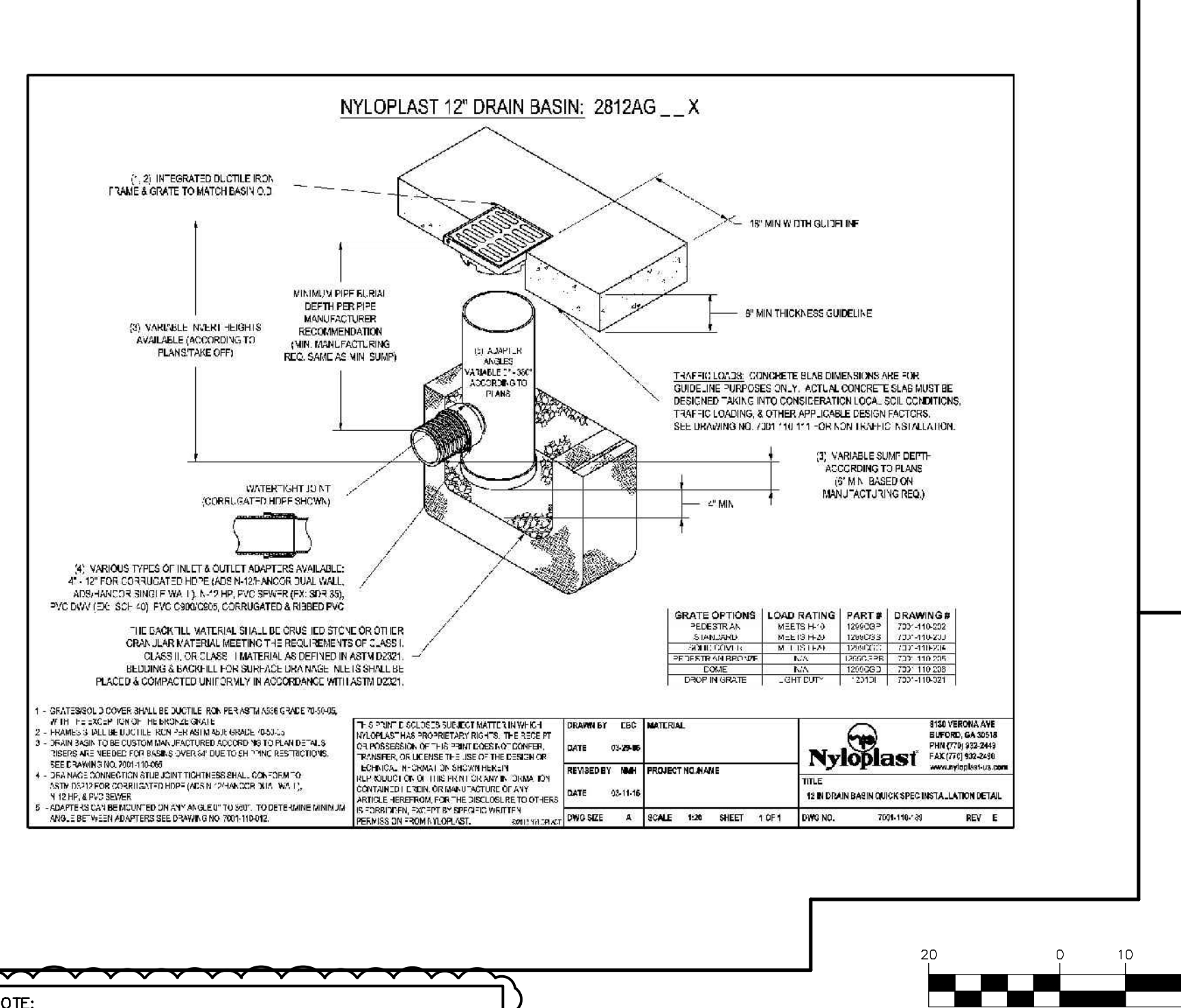


CROSS SECTION	CONDITION	TREATMENT	MAINLINE (1) SIDE ROAD (2)	PAVEMENT EDGE TREATMENT
TYPE 1: 12\"/>				



616.8.10 (TA-10) Lane Closure on Two-Lane Highways Using Flaggers - MT

SPEED (mph)	SIGN SPACING (ft.)	TAPER LENGTH (ft.)	OPTIONAL BUFFER LENGTH (ft.)	CHANNELIZER SPACING (ft.)
0-35	200	-	280	-
40-45	350	-	400	-
50-55	500	-	580	-
60-70	1000	-	840	-



SOLACE HOSPICE CARE

636-332-4574 (cell)
636-327-0760 (fax)
www.solacehospice.com

COCHRAN
Civil Engineering
Land Surveying
Architecture
Site Development
General Consulting
Master Planning

Missouri State Certificate of Authority Number: 201000046
Cochran Project No. M22-8498

ERIC SCOTT KIRCHNER
E-2001004618
REGISTERED PROFESSIONAL ENGINEER

DATE: _____
Eric S. Kirchner No. E-2001004618
Registered Professional Engineer
State of Missouri
for Cochran Engineering & Surveying

Developer Information
HV PROPERTY MANAGEMENT, LLC
14010 MANCHESTER RD., MANCHESTER, MO 63011

Owner Information
HV PROPERTY MANAGEMENT, LLC
14010 MANCHESTER RD., MANCHESTER, MO 63011

P+Z No. 22-008964
Approval Date: NOV. 3, 2022
Permit No. _____

Page No. _____

C18

CALL OR CLICK 3 DAYS BEFORE YOU DIG!
MISSOURI ONE CALL CENTER
1-800-DIG-RITE or 811
www.motcall.com

OWNER/DEVELOPER:
HV PROPERTY MANAGEMENT, LLC
14010 MANCHESTER RD.
MANCHESTER, MO 63011

C18