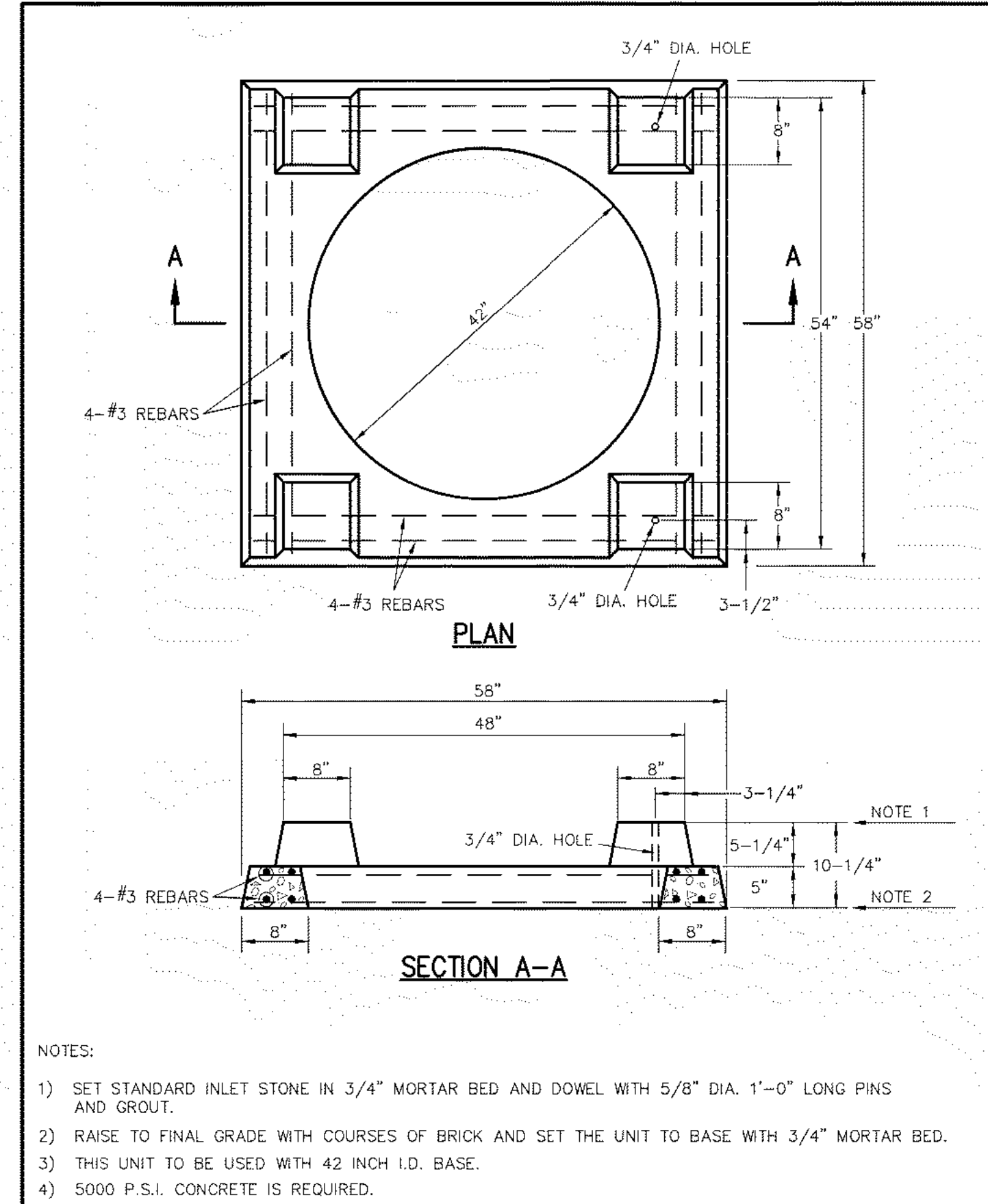
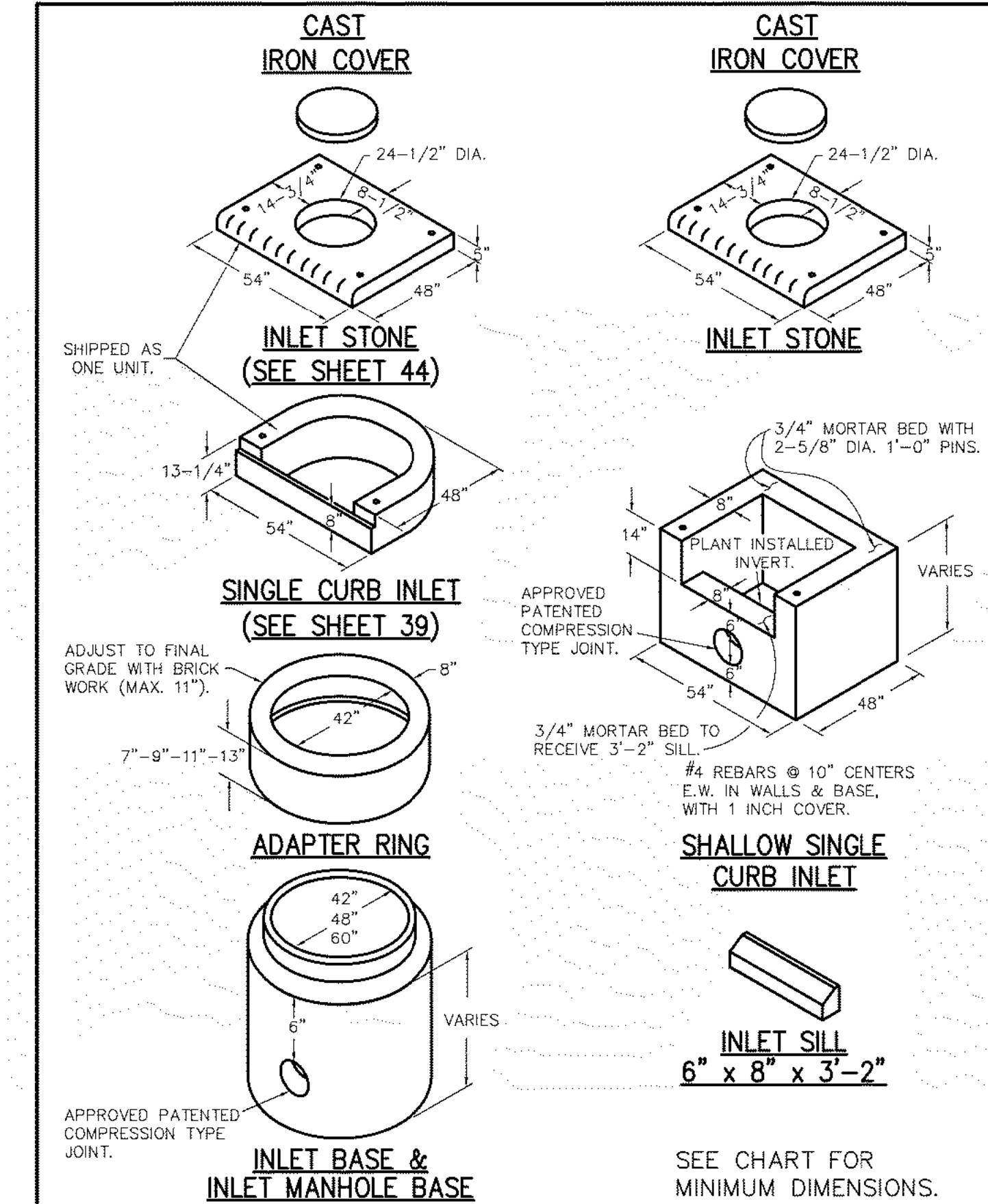


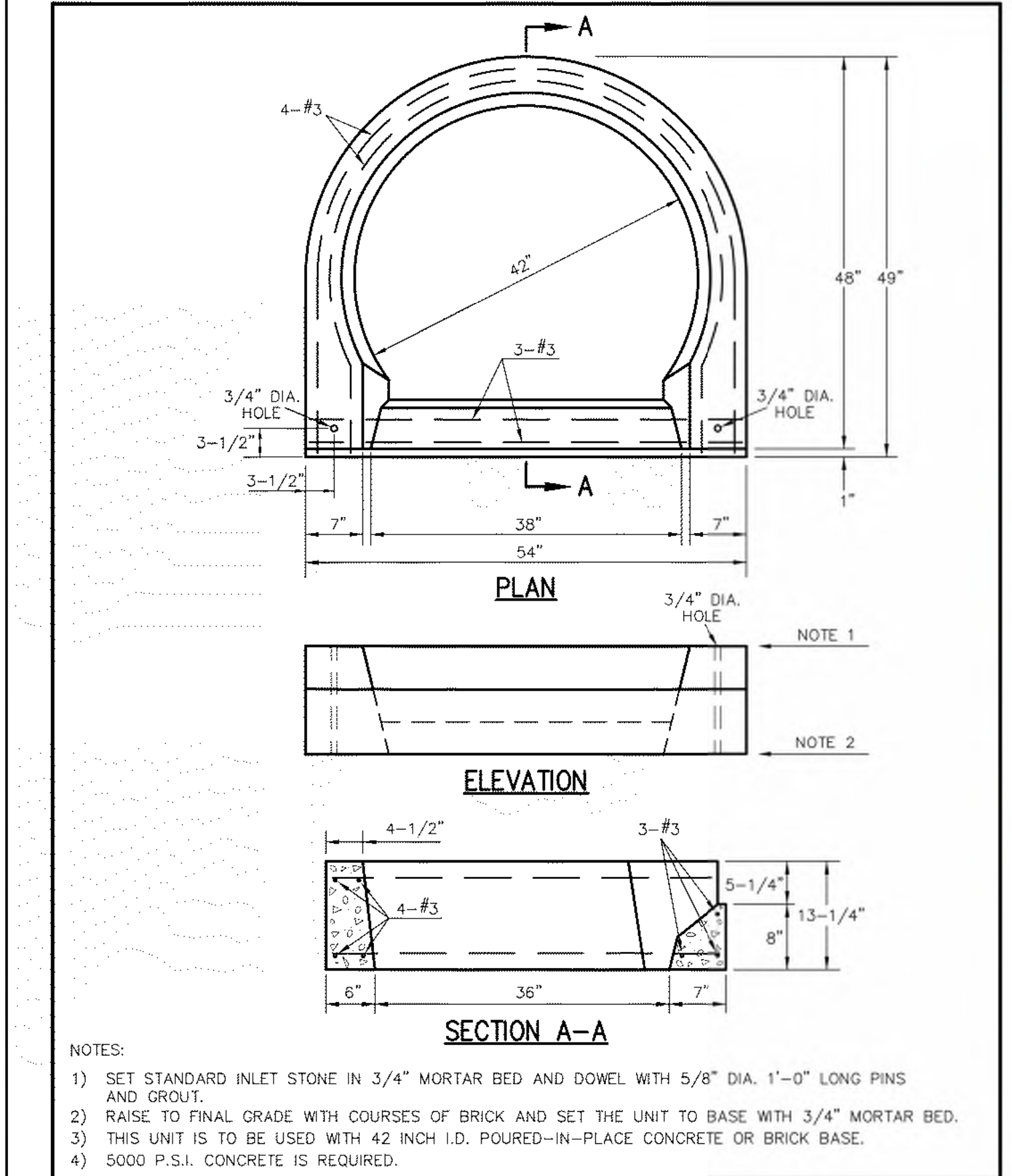
AREA INLET PRECAST CONCRETE	METROPOLITAN ST. LOUIS SEWER DISTRICT <i>Standard Details of Sewer Construction</i>		
	Dr. JLG/SAM Ch. J.C.K.	2009	SHEET 34



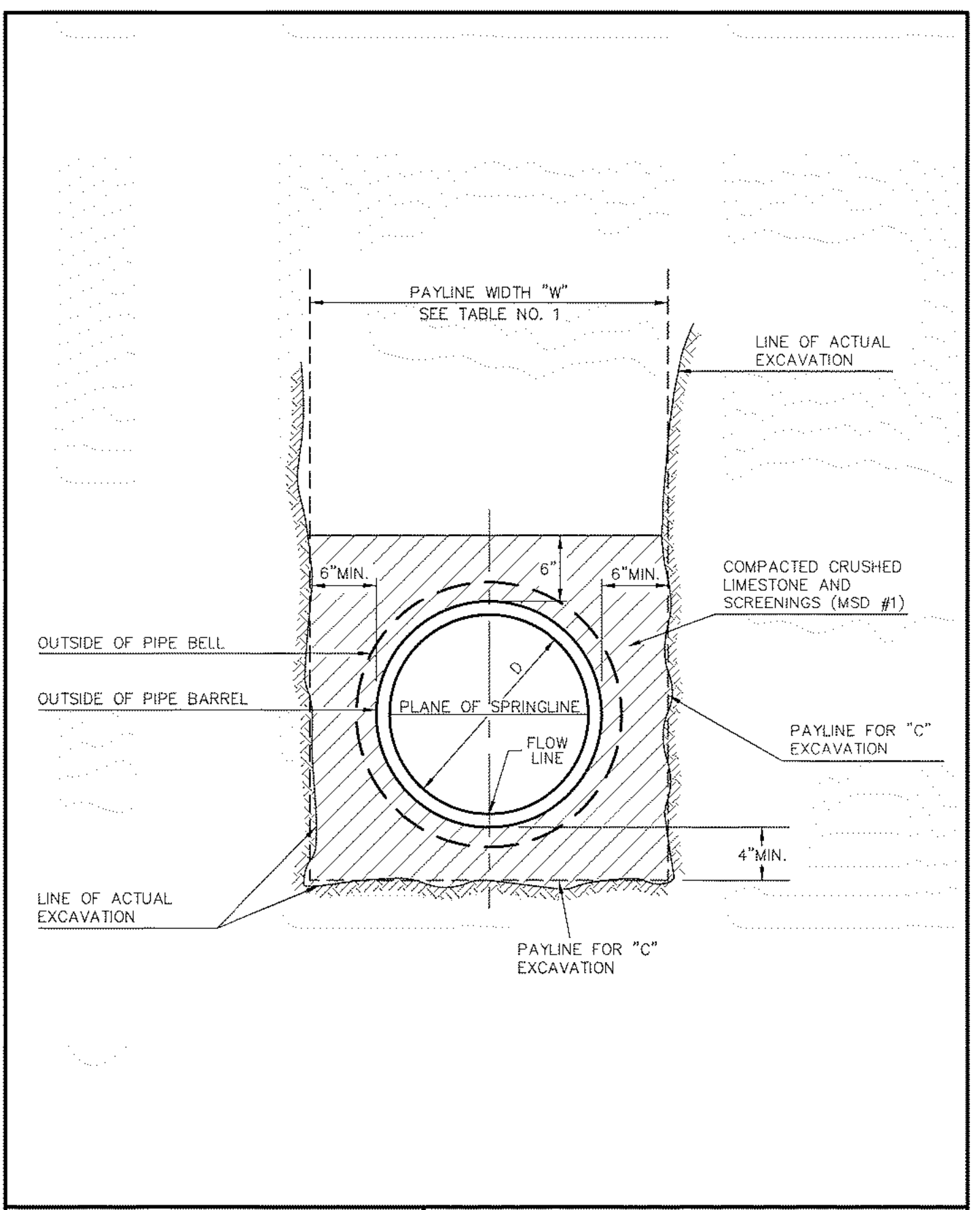
PRECAST CONCRETE UNIT FOR 4 WAY AREA INLET	METROPOLITAN ST. LOUIS SEWER DISTRICT <i>Standard Details of Sewer Construction</i>		
	Dr. DAB/SAM Ch. J.C.K.	2009	SHEET 40



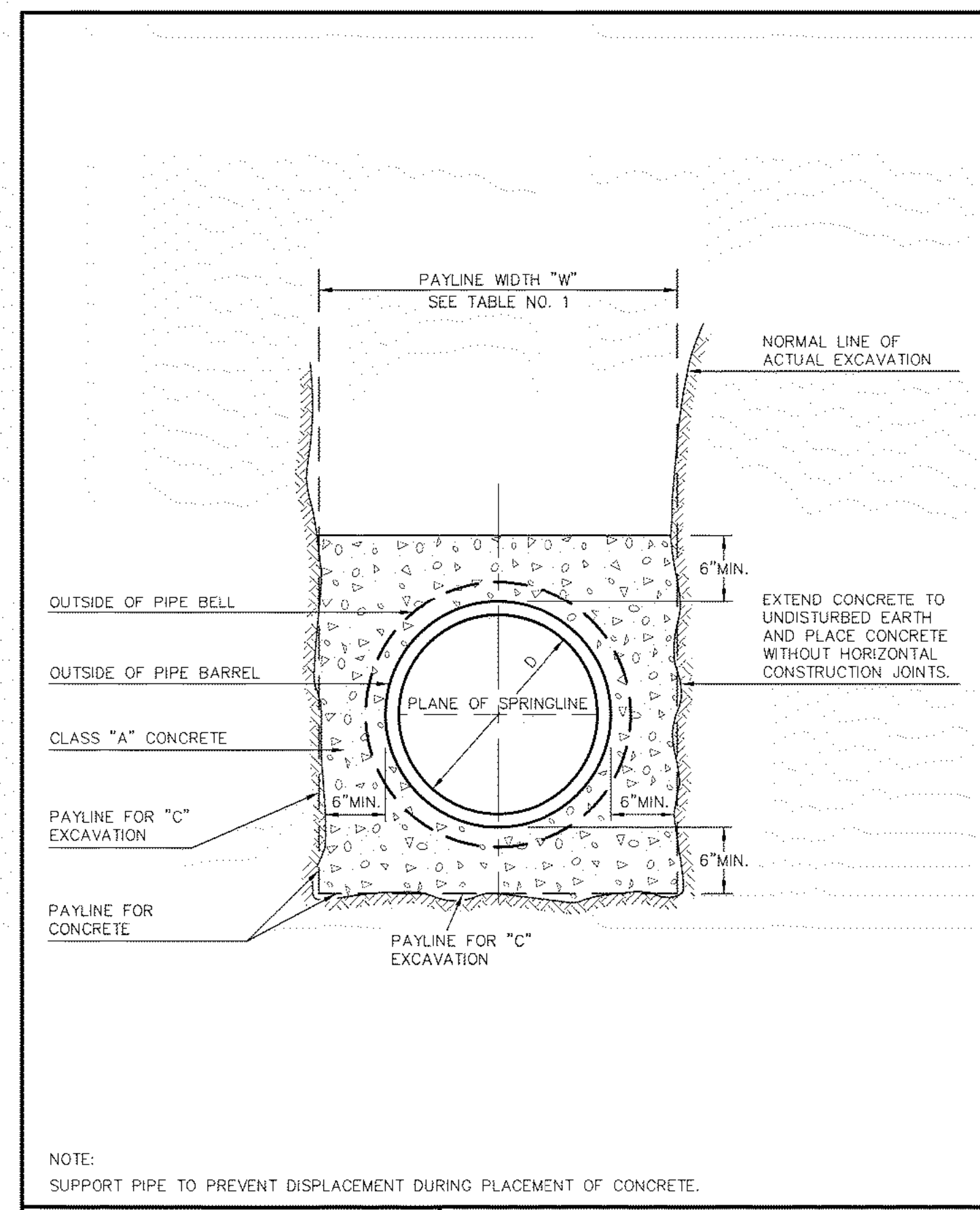
SINGLE STREET INLETS PRECAST CONCRETE	METROPOLITAN ST. LOUIS SEWER DISTRICT <i>Standard Details of Sewer Construction</i>		
	Dr. JLG/SAM Ch. J.C.K.	2009	SHEET 36



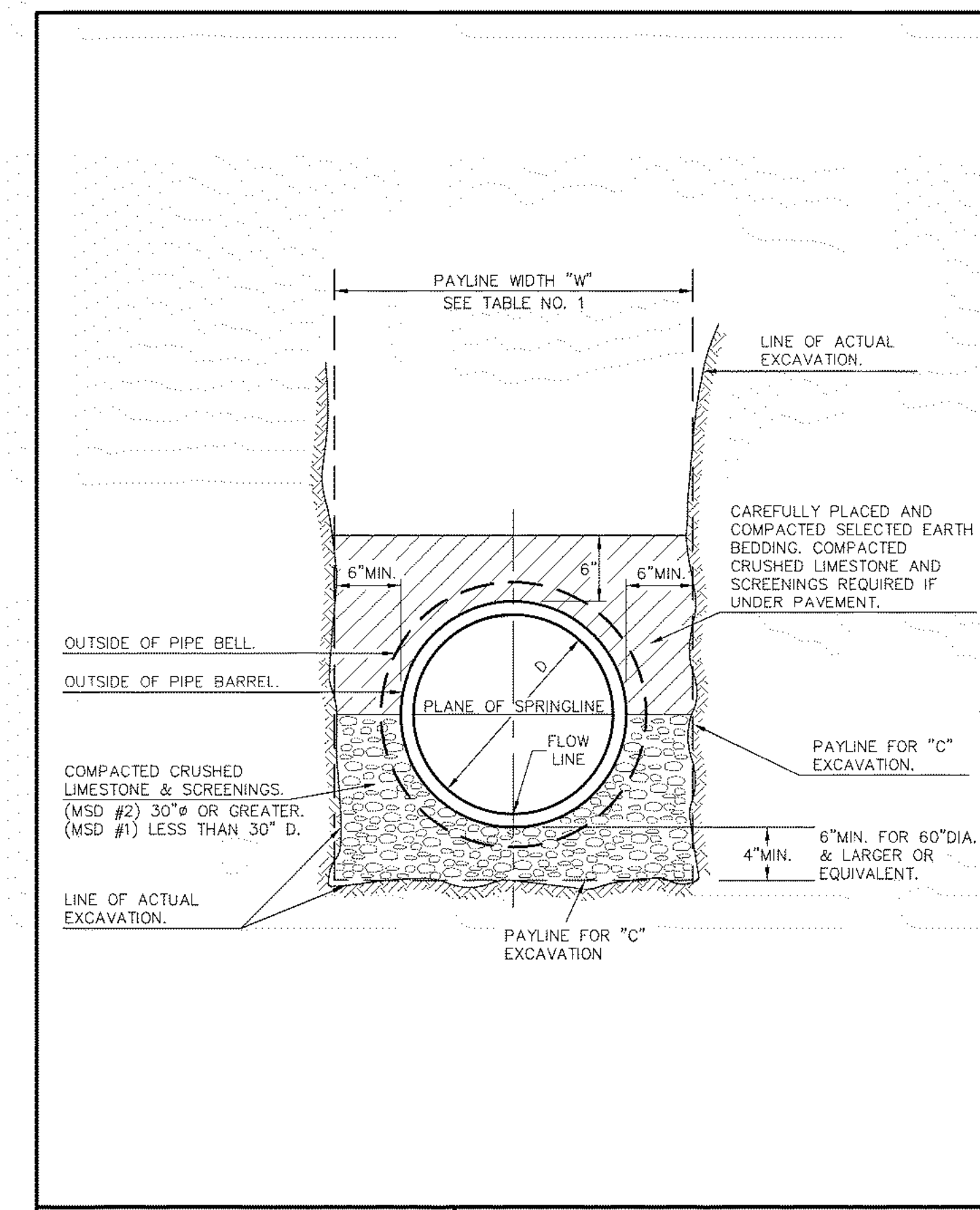
PRECAST CONCRETE UNIT FOR SINGLE STREET INLET	METROPOLITAN ST. LOUIS SEWER DISTRICT <i>Standard Details of Sewer Construction</i>		
	Dr. WSH/SAM Ch. J.C.K.	2009	SHEET 39



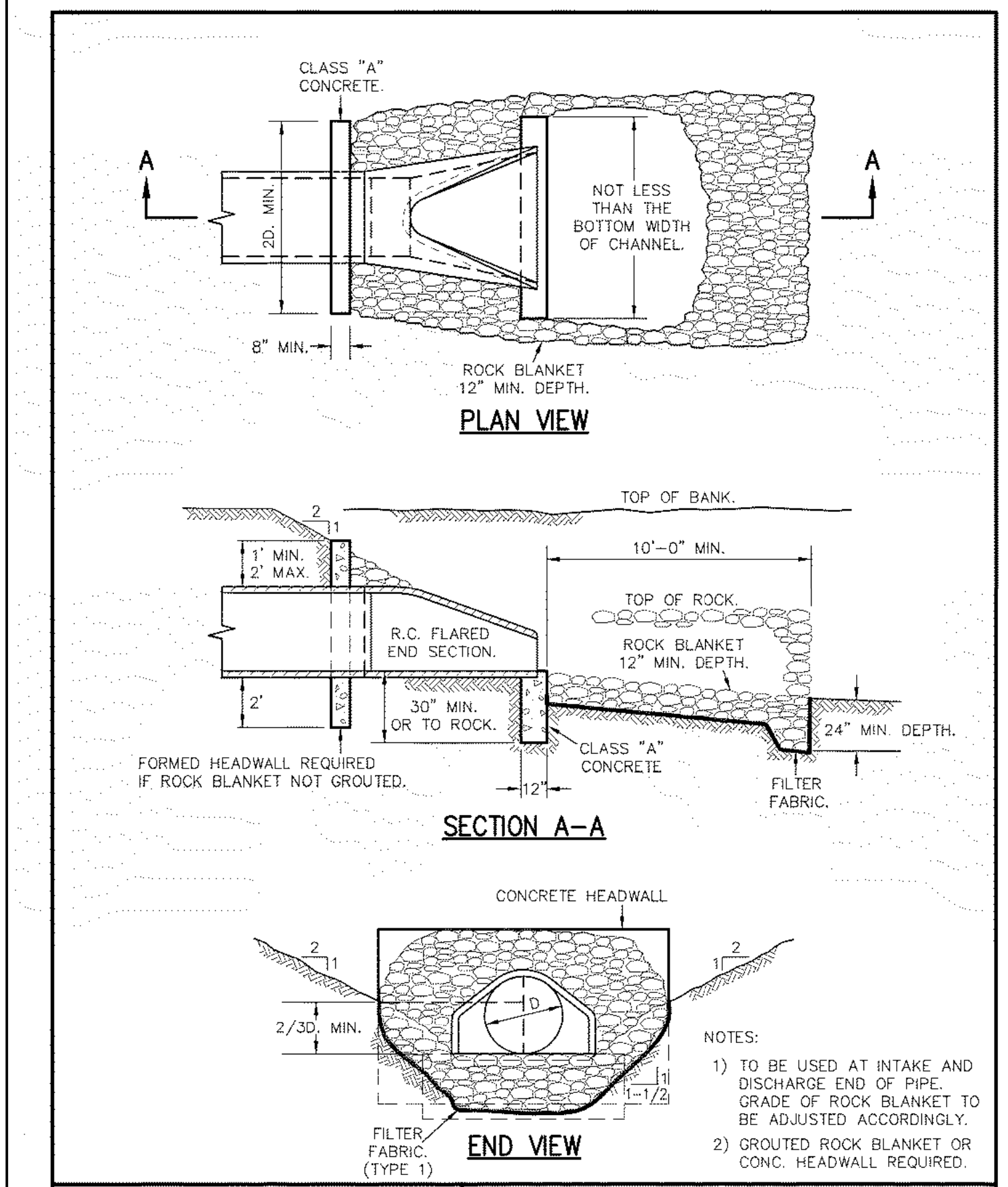
PIPE BEDDING CLASS "C" (FOR ALL 6" TO 18" PIPE EXCEPT REINFORCED CONCRETE PIPE)	METROPOLITAN ST. LOUIS SEWER DISTRICT <i>Standard Details of Sewer Construction</i>		
	Dr. W.S.H. Ch. J.C.K.	2009	SHEET 4



CONCRETE ENCASEMENT	METROPOLITAN ST. LOUIS SEWER DISTRICT <i>Standard Details of Sewer Construction</i>		
	Dr. W.S.H. Ch. J.C.K.	2009	SHEET 8



PIPE BEDDING CLASS "C" (MODIFIED FOR REINFORCED CONCRETE PIPE)	METROPOLITAN ST. LOUIS SEWER DISTRICT <i>Standard Details of Sewer Construction</i>		
	Dr. W.S.H. Ch. J.C.K.	2009	SHEET 5



FLARED END SECTION	METROPOLITAN ST. LOUIS SEWER DISTRICT <i>Standard Details of Sewer Construction</i>		
	Dr. WSH/SAM Ch. J.C.K.	2009	SHEET 61

H:\CAD\22000-22999\22074\ImpPlans\22074 - C34 Construction Details Sheet 5.dgn - Default 6/29/2021 4:52:01 PM Plotted by rholmes Plot Scale: 1:0000 sf / in. Plot Driver: volz15.pdf.plt;c19 Pen Table: volz15.pdf.tbl

**MCKELVEY**  
**H O L M E S**  
Building A Tradition Of Excellence Since 1888  
218 Chesterfield Towne Center  
Chesterfield, MO 63005  
Phone: (636) 530-6800

**VOLZ**  
INCORPORATED  
10849 Indian Head Indl. Blvd.  
St. Louis, Missouri 63132  
314.860.1250 Fax  
www.volzinc.com  
Aulinity #203

RYAN L. HOLMES  
Professional Engineer  
PE-2017018988

**SOMMERLIN**

CONSTRUCTION DETAILS:  
SHEET 5

Design By: R/LH  
Drawn By: R/LH  
Checked By: R/LH

Volz Project # 22074

06-28-21  
C34