

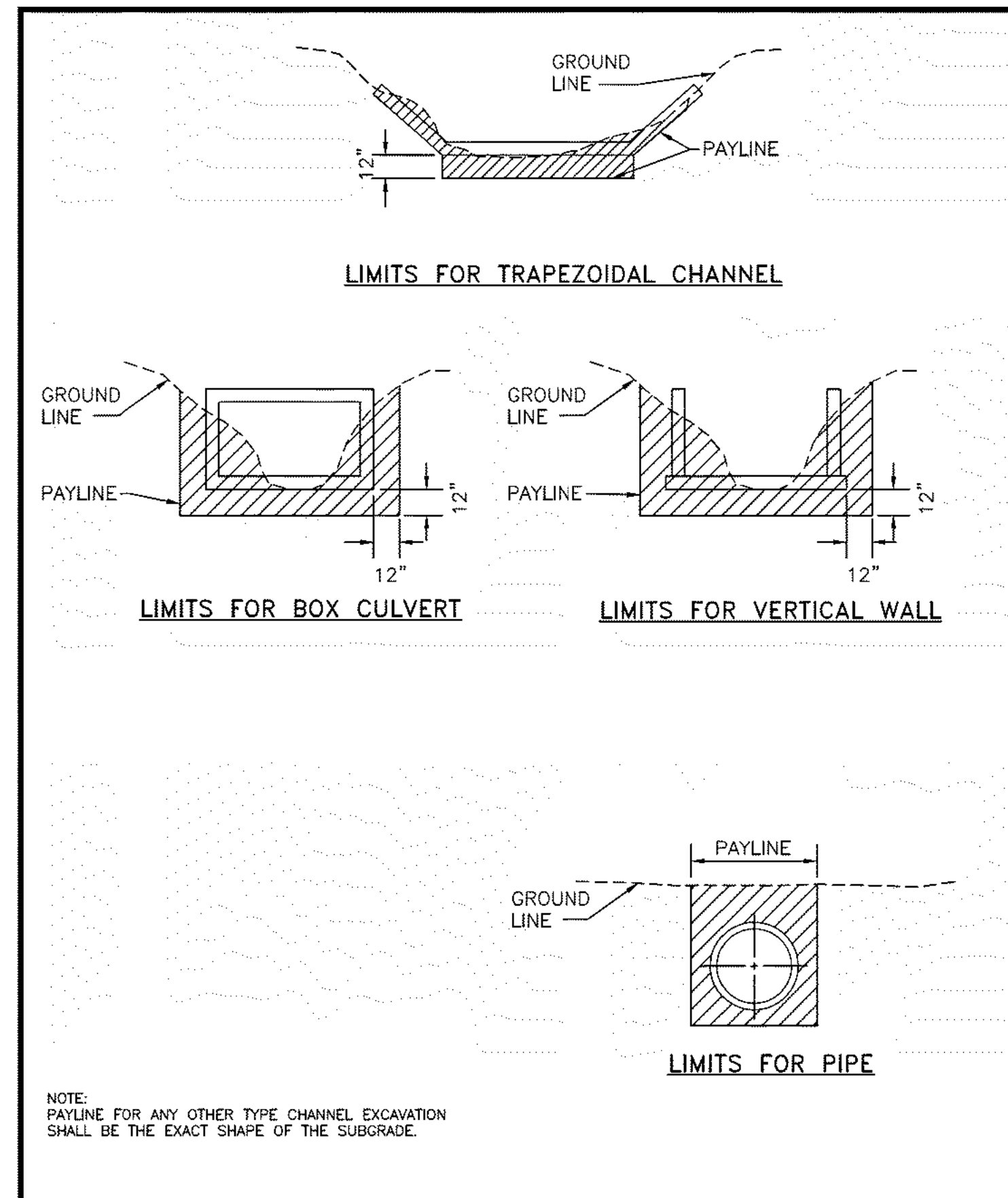
H:\CAD\22000-22999\22074\NimgPlans\22074 - C35 Construction Details Sheet 6.dgn - Detail - 6/29/2021 4:55:31 PM Plotted By: rhomes Plot Scale: 1/8"=1'-0" Plot Driver: volz15.pdf.plt

ROUND PIPE				HORIZONTAL ELLIPTICAL PIPE			
INSIDE DIAMETER OF PIPE (INCHES)	"W" PAYLINE WIDTH OF TRENCH (INCHES)	"W" PAYLINE WIDTH OF TRENCH (FEET)	PAY-VOLUMES CU. FT. PER FT. CONCRETE ENCASEMENT	INSIDE DIAMETER OF PIPE (INCHES)	"W" PAYLINE WIDTH OF TRENCH (INCHES)	"W" PAYLINE WIDTH OF TRENCH (FEET)	PAY-VOLUMES CU. FT. PER FT. CONCRETE ENCASEMENT
4	30	2.50	3.28				
6	30	2.50	3.59				
8	30	2.50	3.87				
10	30	2.50	4.09				
12	30	2.50	4.25				
15	36	3.00	5.55				
18	36	3.00	5.77	14 x 23	41	3.42	5.94
21	39	3.25	6.61				
24	42	3.50	7.39	19 x 30	49	4.08	7.68
27	45	3.75	8.18	22 x 34	53	4.42	8.61
30	49	4.08	9.30	24 x 38	58	4.83	9.70
33	53	4.42	10.53	27 x 42	62	5.17	10.71
36	56	4.67	11.43	29 x 45	66	5.50	11.72
39	DISCONTINUED			32 x 49	71	5.92	13.14
42	63	5.25	13.38	34 x 53	75	6.25	14.05
48	70	5.83	15.67	38 x 60	83	6.92	16.18
54	77	6.42	18.15	43 x 68	92	7.67	18.81
60	84	7.00	20.73	48 x 76	101	8.42	21.59
66	91	7.58	23.45	53 x 83	109	9.08	24.35
72	98	8.17	26.37	58 x 91	118	9.83	27.45
78	105	8.75	29.39	63 x 98	126	10.50	30.50
84	112	9.33	32.57	68 x 106	135	11.25	33.91
90	119	9.92	35.90	72 x 113	143	11.92	36.99
96	126	10.50	39.37	77 x 121	152	12.67	40.69
102	133	11.08	42.99	82 x 128	160	13.33	44.45
108	140	11.67	46.75	87 x 136	168	14.00	47.79
114	147	12.25	50.66	92 x 143	176	14.67	51.70
120	154	12.83	54.72	97 x 151	185	15.42	56.01
126	161	13.42	58.92				
132	168	14.00	63.27	106 x 166	202	16.83	64.48
144	182	15.17	72.40	116 x 180	218	18.17	73.59

**Duckett Creek Sanitary District**

PAYLINE WIDTHS OF TRENCH AND PAY-QUANTITIES OF CONCRETE

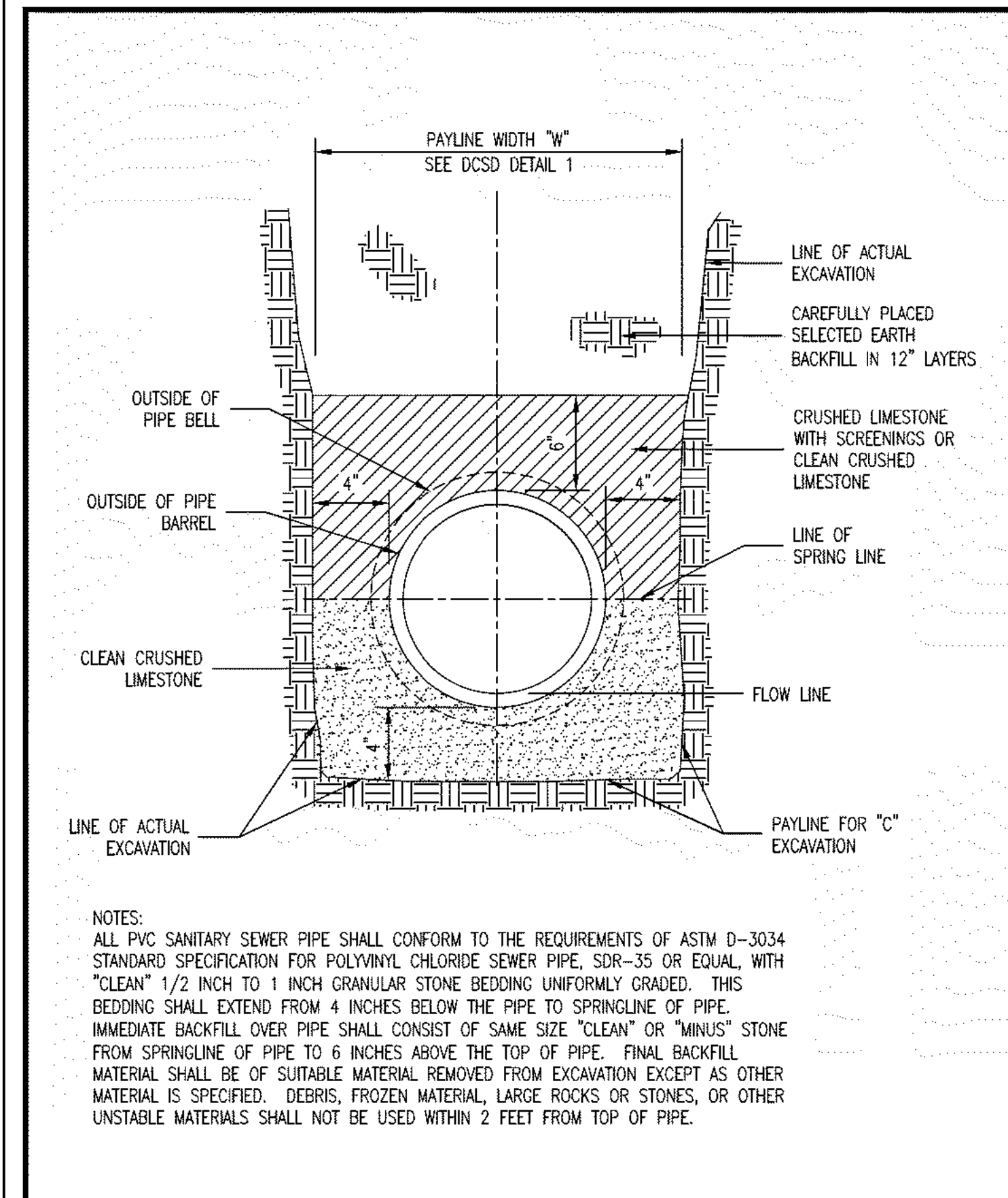
Own By: BSM App By: KLA Detail No. 1  
 Ckd By: MDOB Date: DEC. 2015



**Duckett Creek Sanitary District**

PAYLINE LIMITS FOR EXCAVATION

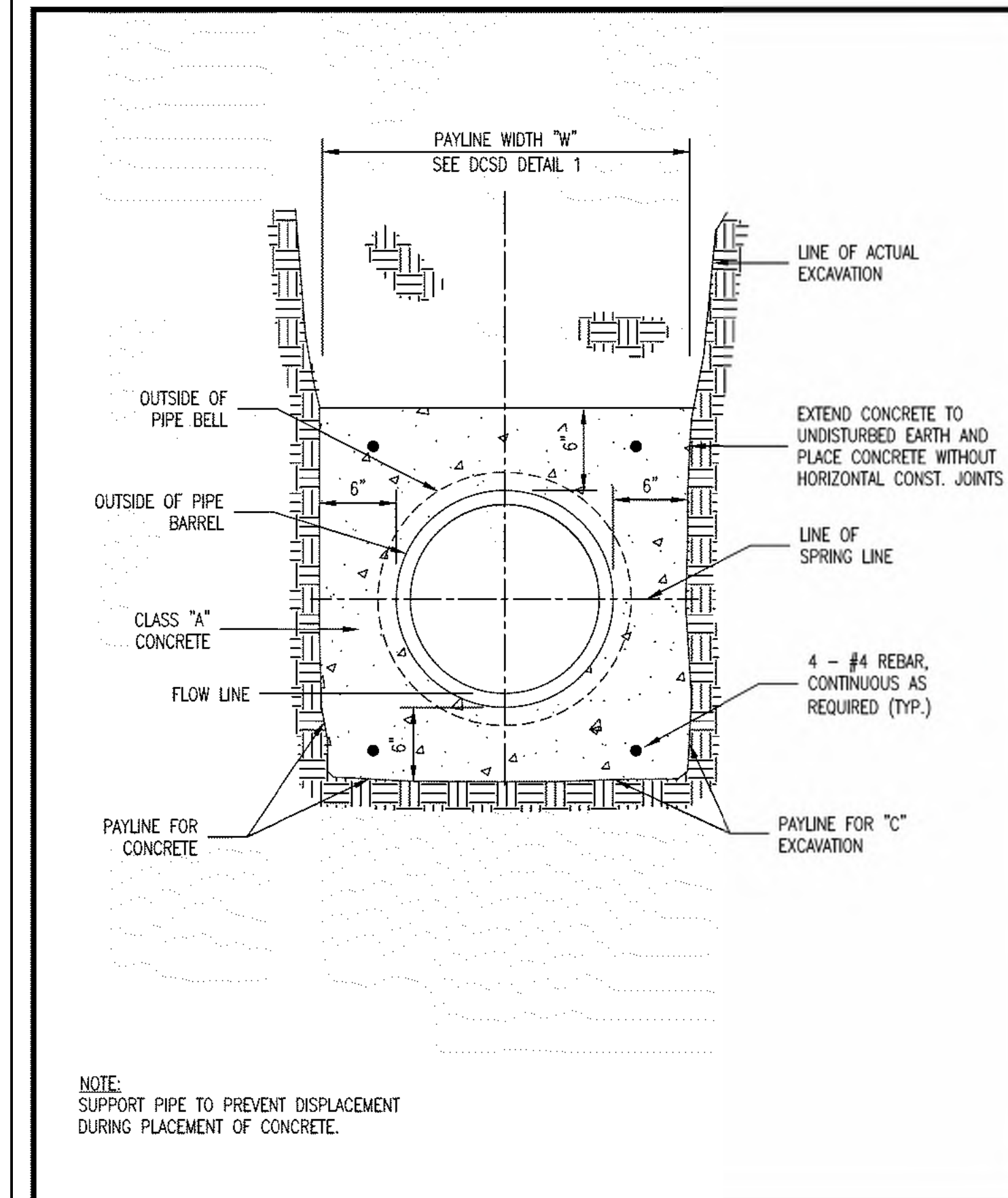
Own By: BSM App By: KLA Detail No. 2  
 Ckd By: MDOB Date: DEC. 2015



**Duckett Creek Sanitary District**

PIPE BEDDING CLASS "C" (FOR ALL EXCEPT REINFORCED CONCRETE PIPE)

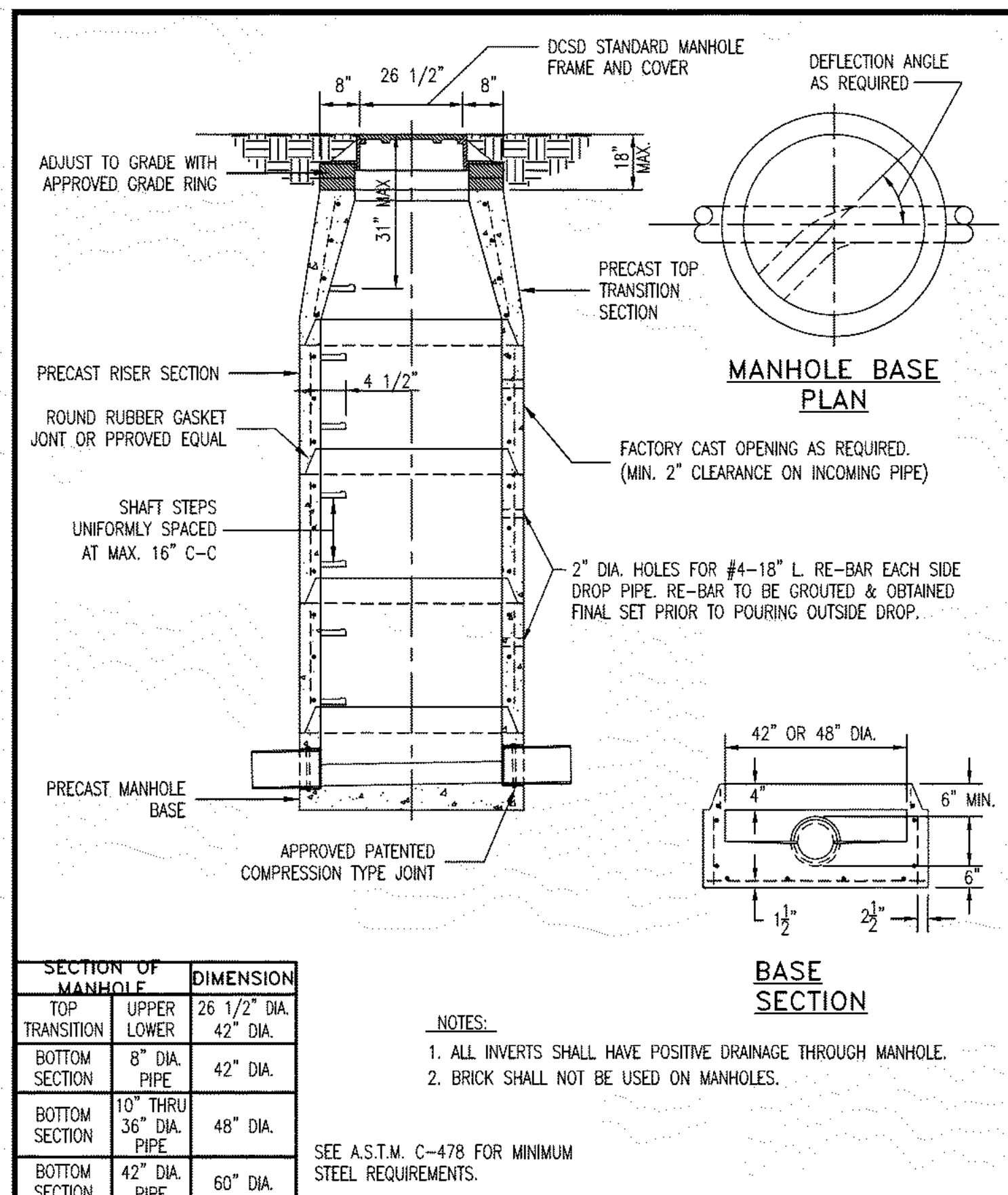
Own By: BSM App By: KA Detail No. 3  
 Ckd By: MDOB Date: JULY 2016



**Duckett Creek Sanitary District**

TYPICAL CONCRETE ENCASEMENT

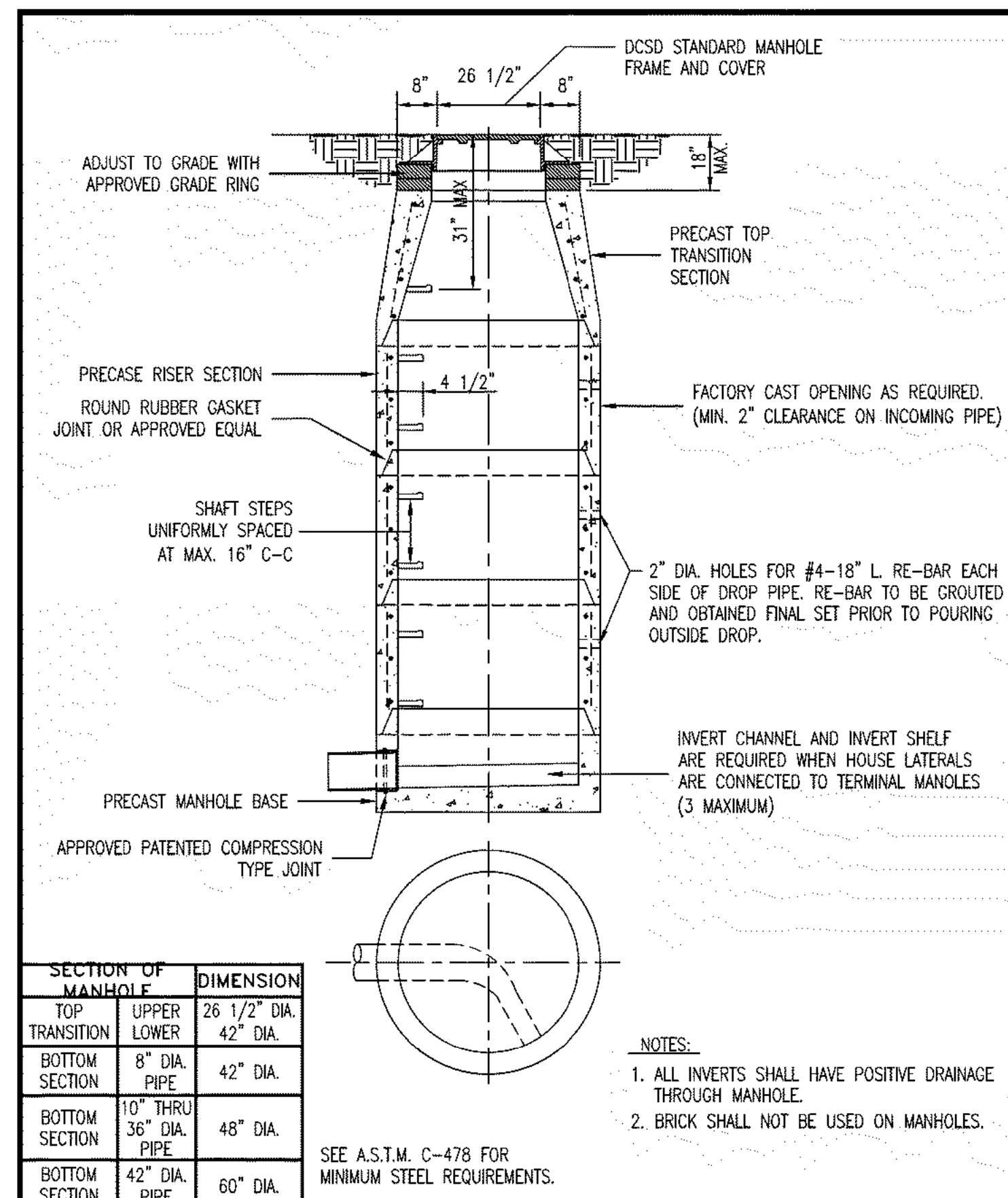
Own By: BSM App By: KA Detail No. 4  
 Ckd By: MDOB Date: DEC. 2015



**Duckett Creek Sanitary District**

PRECAST CONCRETE MANHOLE FOR SEWERS 8" THROUGH 18"

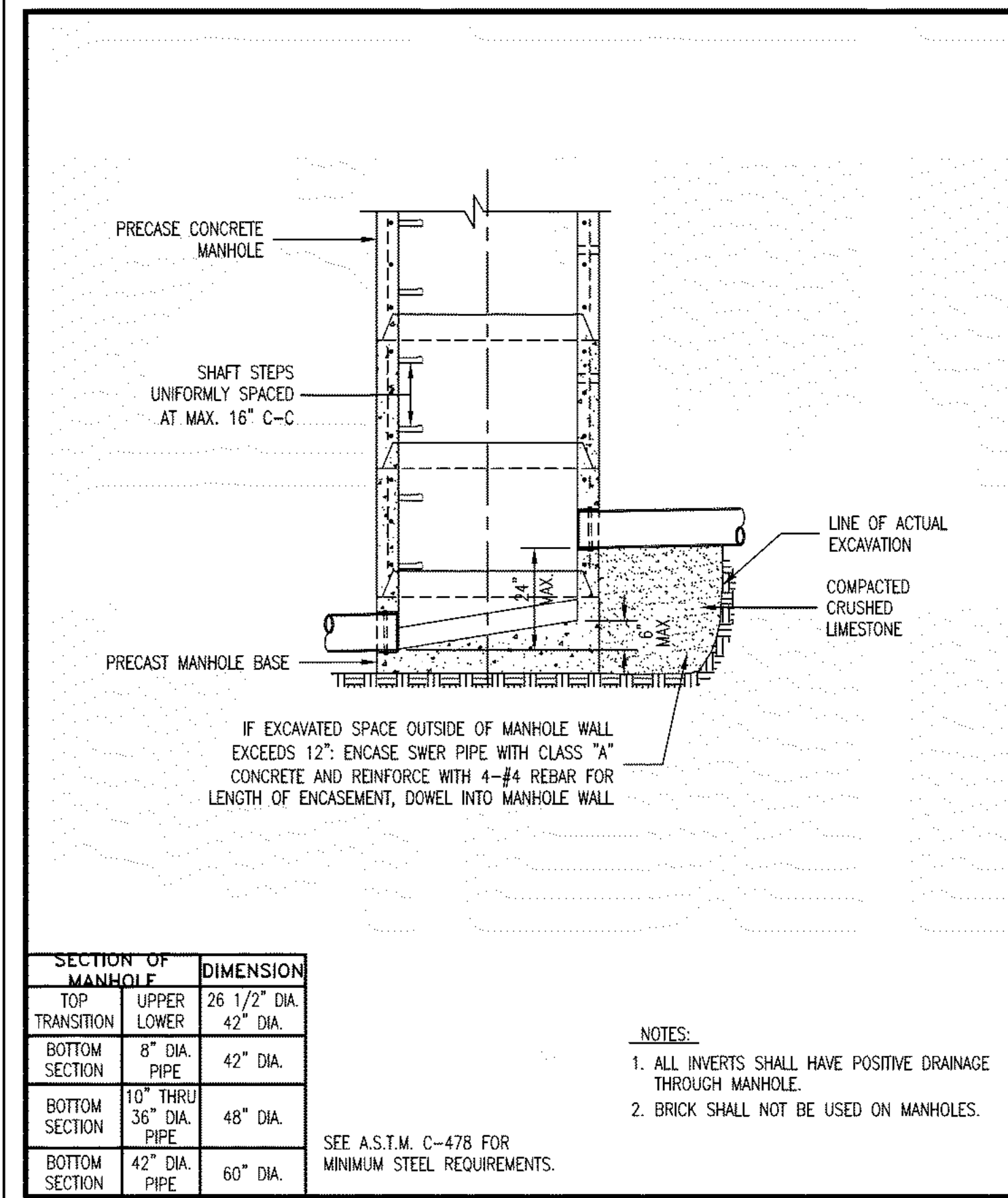
Own By: BSM App By: KLA Detail No. 7  
 Ckd By: MDOB Date: DEC. 2015



**Duckett Creek Sanitary District**

TERMINAL MANHOLE FOR SEWERS 8" THROUGH 18"

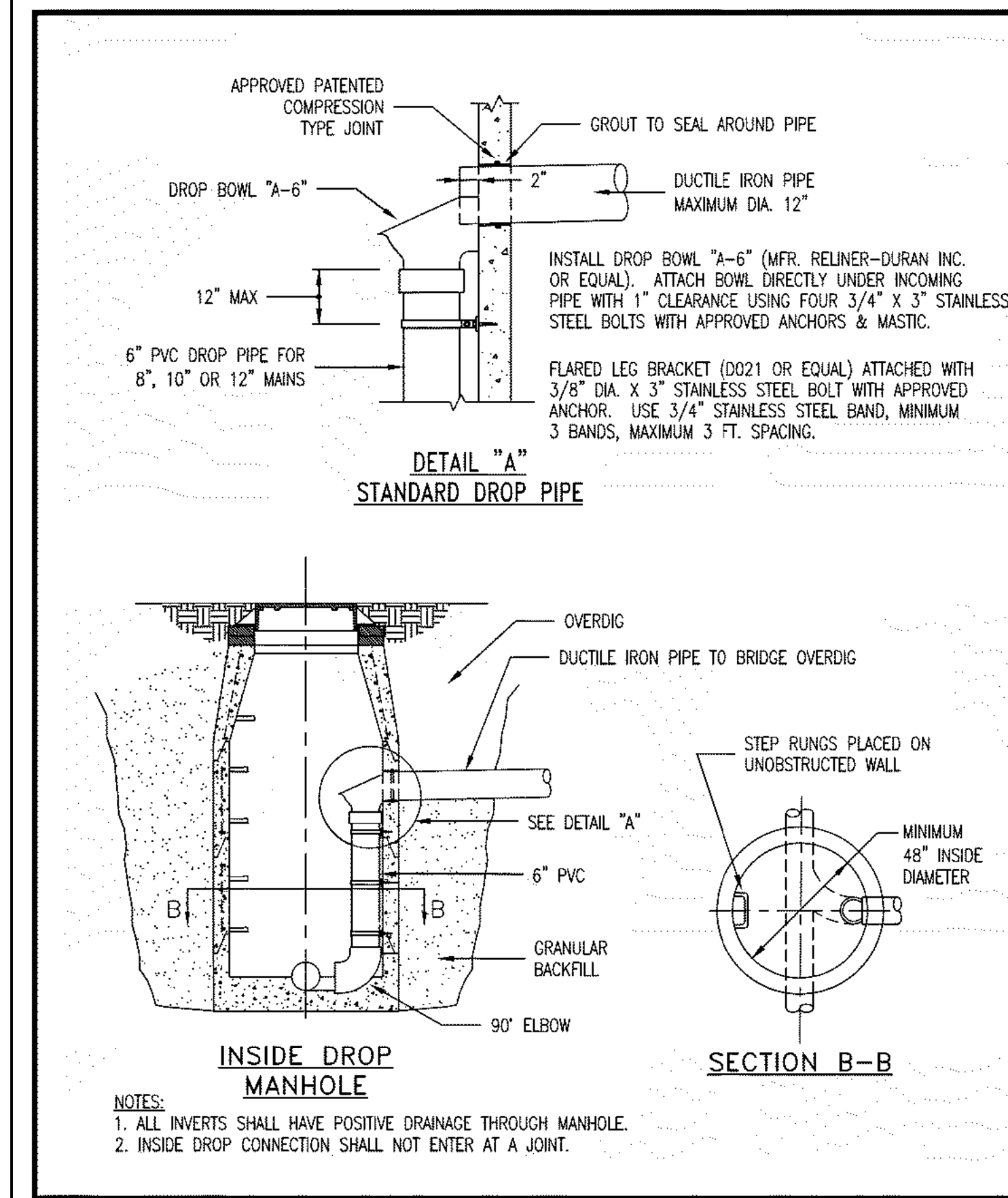
Own By: BSM App By: KLA Detail No. 8  
 Ckd By: MDOB Date: DEC. 2015



**Duckett Creek Sanitary District**

INSIDE FOULWATER DROP MANHOLE (SWEEP INLET)

Own By: BSM App By: KA Detail No. 9  
 Ckd By: MDOB Date: DEC. 2015



**Duckett Creek Sanitary District**

INSIDE DROP MANHOLE

Own By: MSM App By: KA Detail No. 10  
 Ckd By: MDOB Date: JULY 2016

**MCKELVEY HOLMES**  
 Building A Tradition Of Excellence Since 1888  
 218 Chesterfield Towne Center  
 Chesterfield, MO 63005  
 Phone: (636) 530-9800

**VOLZ**  
 INCORPORATED  
 10849 Indian Head Indl. Blvd.  
 St. Louis, Missouri 63132  
 Phone: (314) 860-1250 Fax  
 www.volzinc.com  
 Authority #203

RYAN L. HOLMES  
 Professional Engineer  
 PE-2017018988

**SOMMERLIN**

CONSTRUCTION DETAILS: SHEET 6  
 Design By: R/H  
 Drawn By: R/H  
 Checked By: R/H  
 Volz Project # 2074  
 06-28-21  
 C35

©Fallon Planning and Development Division File No.: 20-00554 | Approved: January 7, 2021