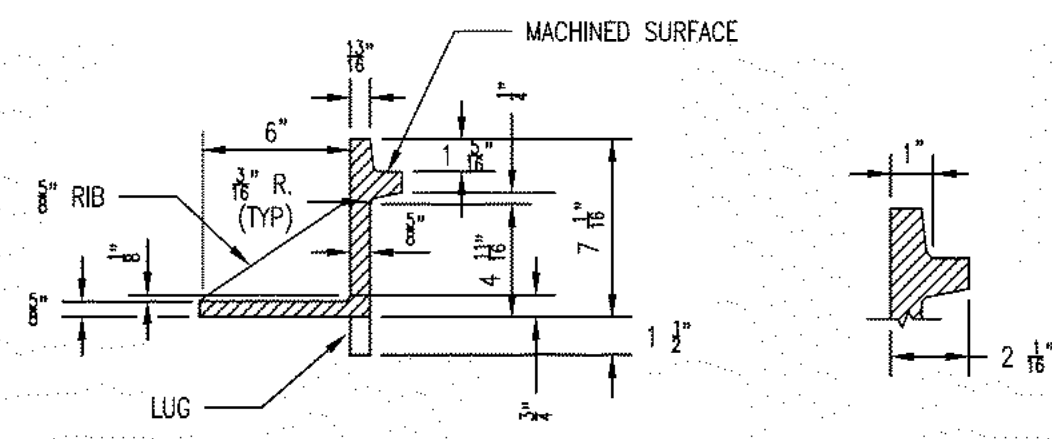
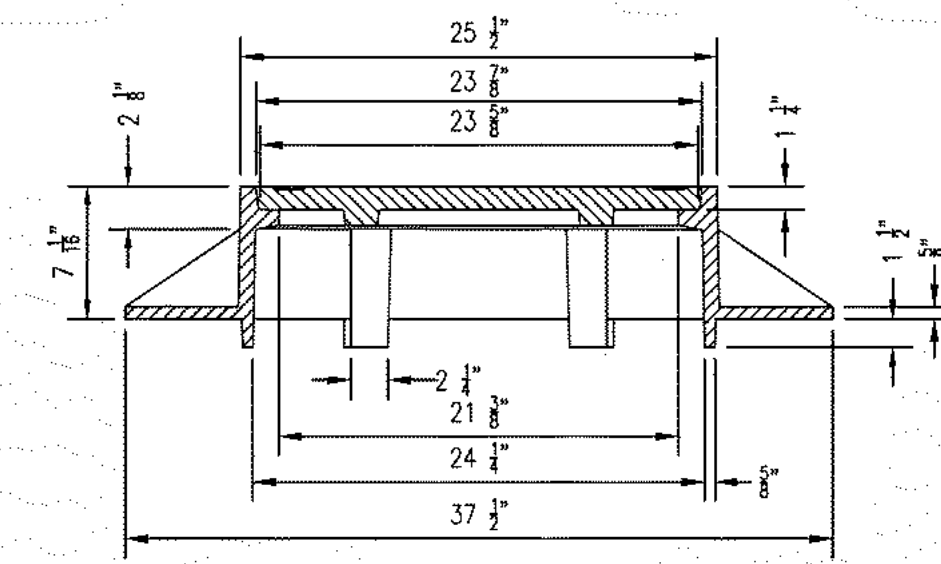
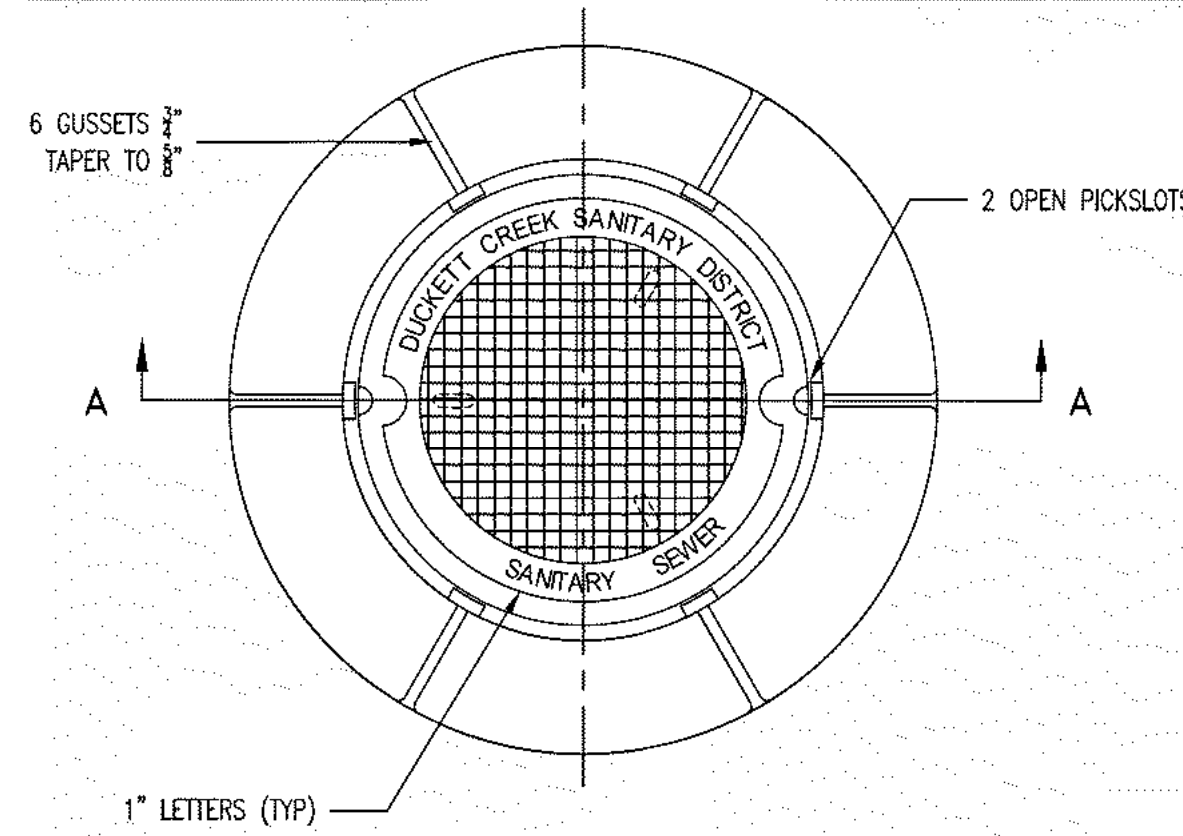


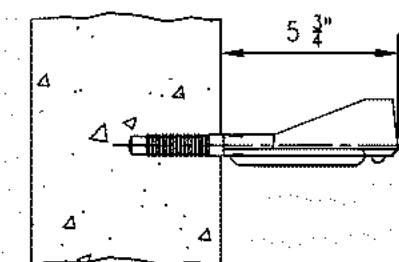
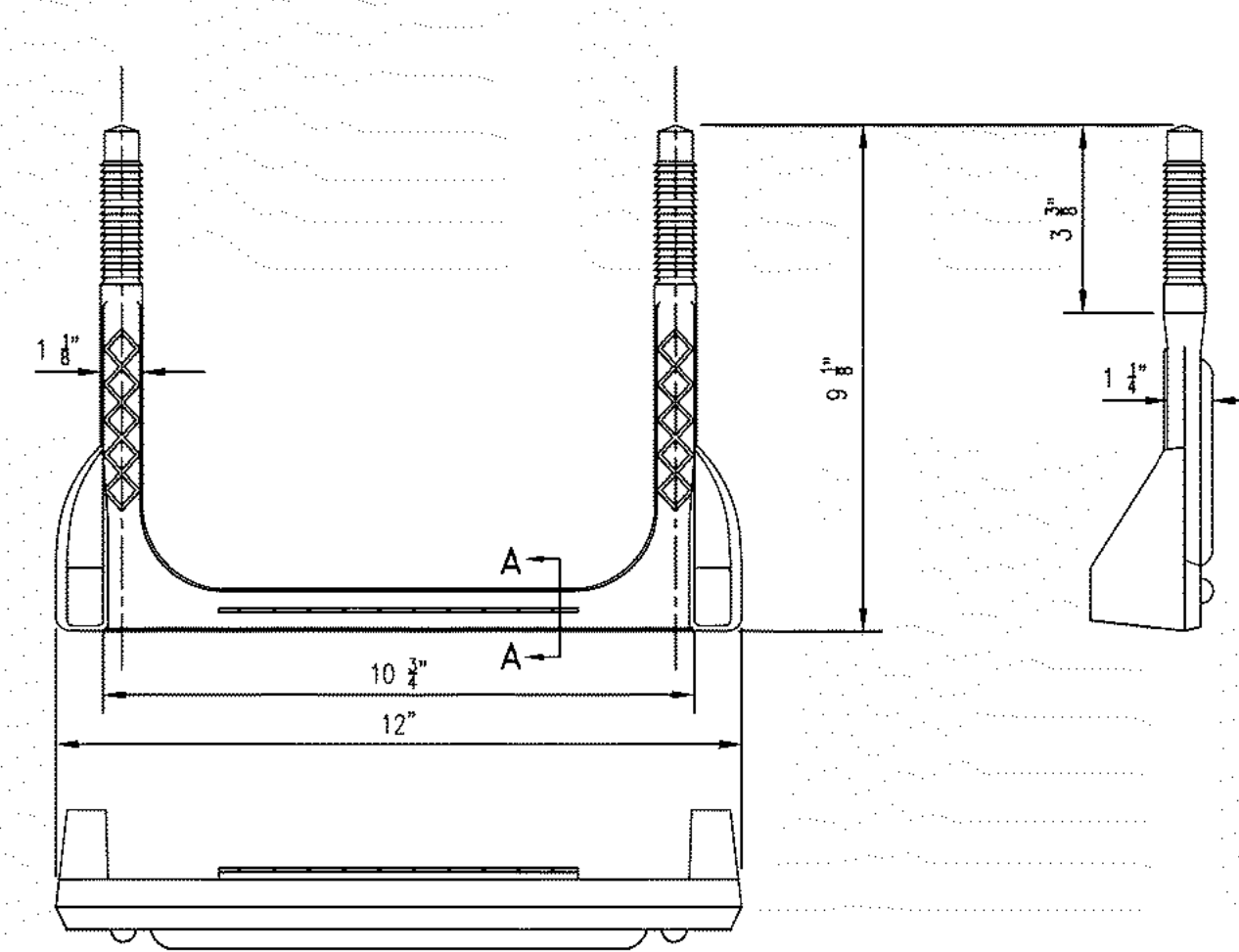
CAST IRON MANHOLE FRAME



SECTION A-A
(230 lbs)



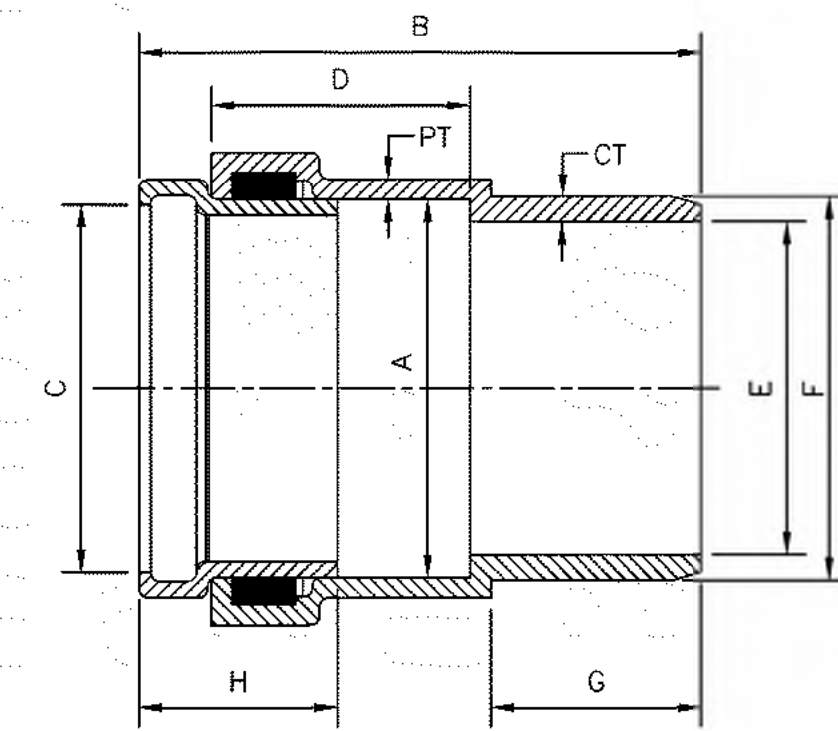
SECTION A-A



SECTION A-A

COPOLYMER POLYPROPYLENE PLASTIC

SDR-35 x C900
BELL x SPIGOT ADAPTERS



SIZE	CATALOG NO.	A	B	C	D	E	F	G	H	CT	PT
4"	334-040	4.56	8.23	4.25	4.10	3.94	4.80	2.72	2.7	.32	.25
6"	334-060	6.68	9.93	6.31	4.57	5.88	6.90	3.72	3.5	.45	.36

Duckett Creek Sanitary District

CAST IRON MANHOLE FRAME

Own By: BSM App By: KLA Detail No. 11

Clk By: MDOB Date: DEC. 2015

Duckett Creek Sanitary District

MANHOLE FRAME AND COVER

Own By: BSM App By: KLA Detail No. 12

Clk By: MDOB Date: DEC. 2015

Duckett Creek Sanitary District

MANHOLE STEP FOR PRECAST MANHOLE

Own By: BSM App By: KA Detail No. 18

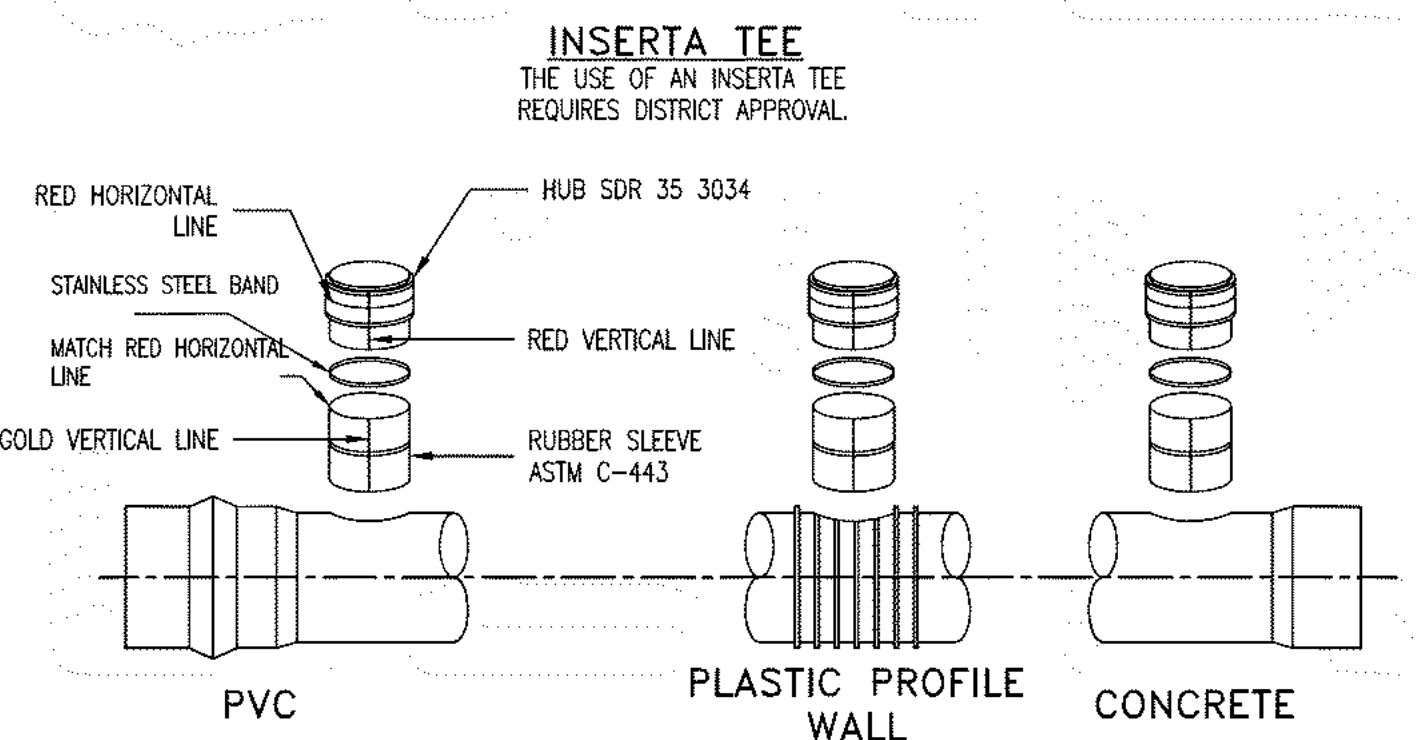
Clk By: MDOB Date: DEC. 2015

Duckett Creek Sanitary District

SDR-35 x C900 BELL AND SPIGOT ADAPTERS

Own By: BSM App By: KA Detail No. 19A

Clk By: MDOB Date: DEC. 2015



INSERTA TEE
THE USE OF AN INSERTA TEE
REQUIRES DISTRICT APPROVAL.

- INSTALLATION PROCEDURE:**
- CORE THE PROPER SIZE HOLE.
 - INSERT THE RUBBER SLEEVE ① IN THE CORED HOLE WITH THE GOLD VERTICAL LINE ON THE RUBBER SLEEVE ② FACING TO THE SIDE OF THE MAIN LINE. THE UPPER SEGMENT SHOULD BE ON TOP OF THE WALL OR RIB AND THE LOWER SEGMENT (PVC, PROFILE WALL, AND POLYETHYLENE PIPE ONLY) SHOULD BE ON THE INSIDE OF THE PIPE.
 - APPLY THE INSERTA TEE SOLUTION SUPPLIED TO THE INSIDE OF THE RUBBER SLEEVE AND TO THE OUTSIDE OF THE PVC HUB ADAPTER. **CAUTION - DO NOT USE AN OIL BASED LUBRICANT.**
 - PLACE THE PVC HUB ADAPTER ③ INTO THE RUBBER SLEEVE. MAKE SURE THAT THE RED VERTICAL LINE ④ ON THE PVC HUB ADAPTER IS IN LINE WITH THE GOLD VERTICAL LINE ② ON THE RUBBER SLEEVE.
 - PLACE THE 2x4 BOARD ONTO THE TOP OF THE PVC HUB ADAPTER.
 - THE RED HORIZONTAL LINE ⑤ AT THE TOP OF THE HUB ADAPTER IS A DEPTH MARK. THIS TELLS THE INSTALLER HOW FAR TO DRIVE THE ADAPTER INTO THE RUBBER SLEEVE. DRIVE THE PVC HUB ADAPTER INTO THE RUBBER SLEEVE TO WHERE THE HORIZONTAL RED LINE ⑤ ON THE PVC HUB ADAPTER ③ MEETS THE TOP OF THE RUBBER SLEEVE ②.
 - PLACE THE STAINLESS STEEL BAND ⑦ AROUND THE TOP OF THE RUBBER SLEEVE AND TIGHTEN DOWN.
 - INSTALL PIPE IN NORMAL MANNER.

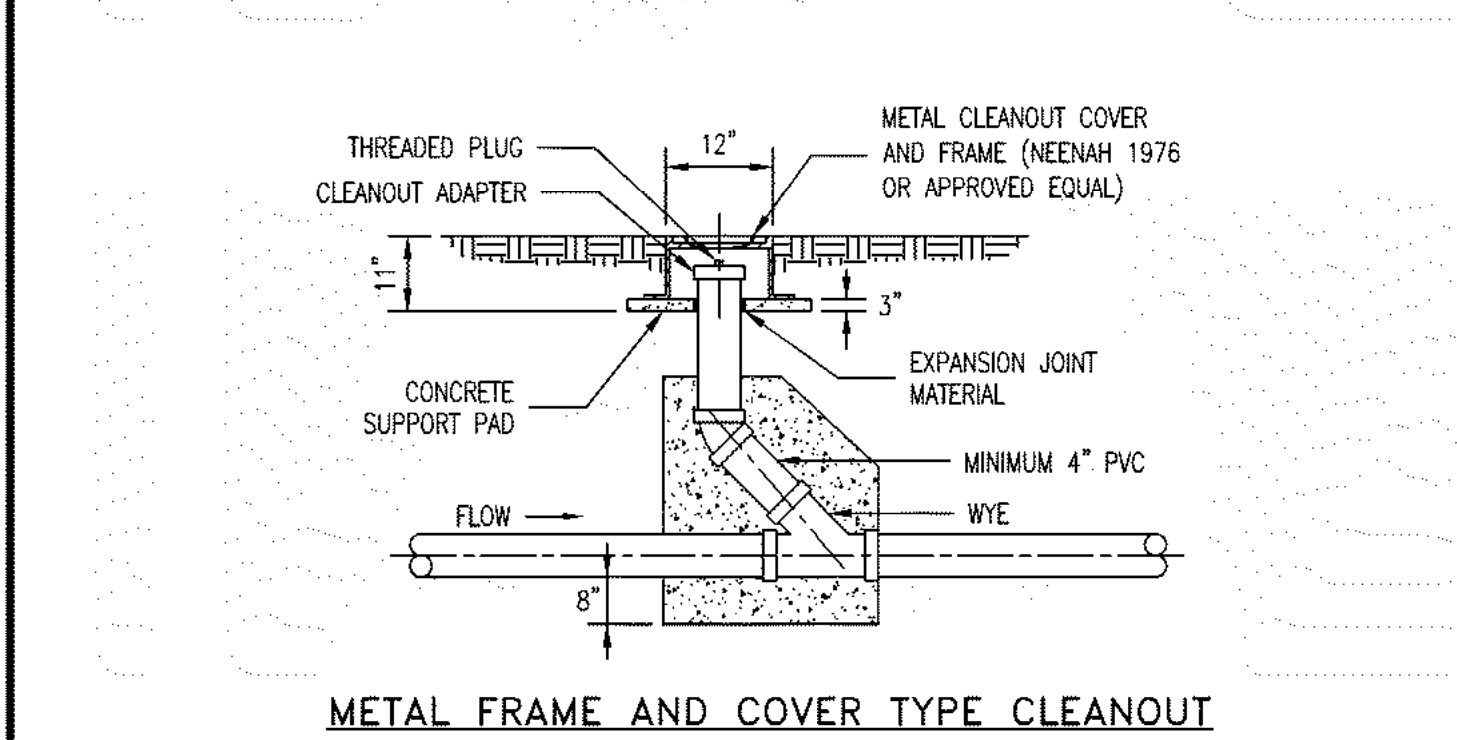
TEE SIZE:	4"	6"	8"	10"	12"	15"
BIT SIZE:	4 1/2"	6 1/2"	8 1/2"	10 1/2"	12 1/2"	15 1/2"

Duckett Creek Sanitary District

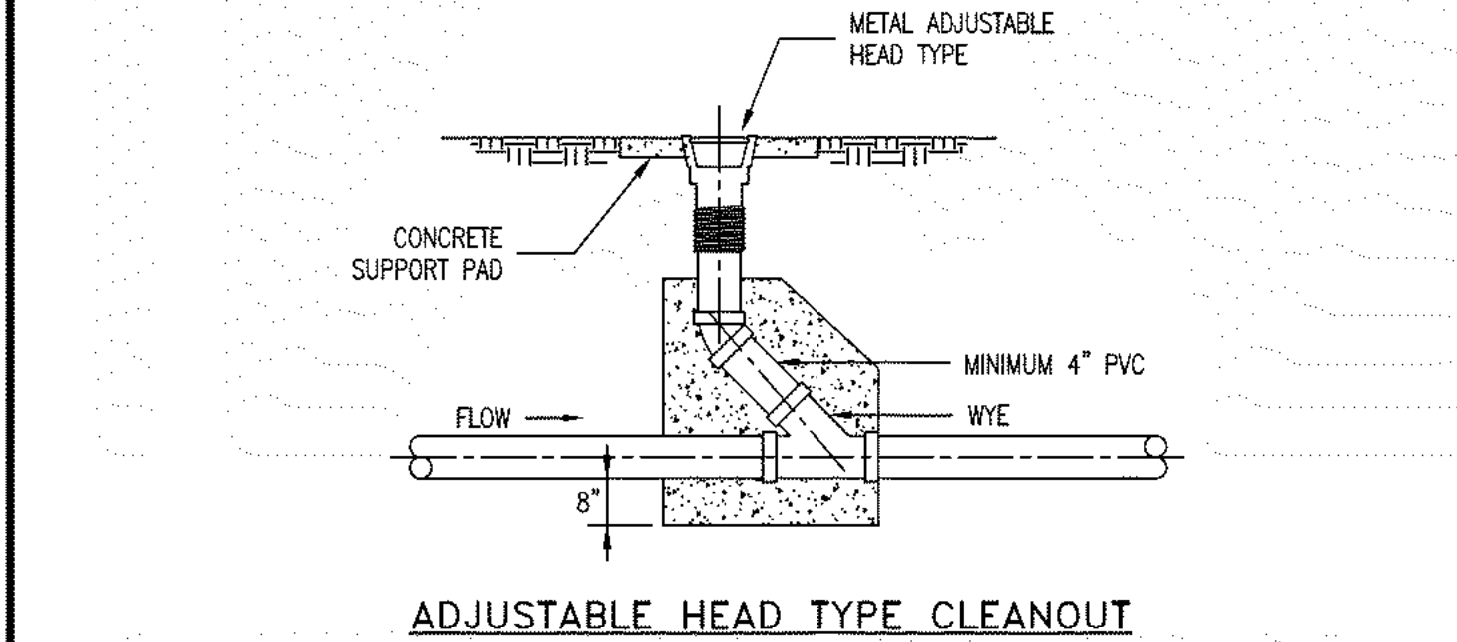
INSERTA TEE DETAILS AND SPECIFICATIONS

Own By: BSM App By: KA Detail No. 20B

Clk By: MDOB Date: DEC. 2015



METAL FRAME AND COVER TYPE CLEANOUT



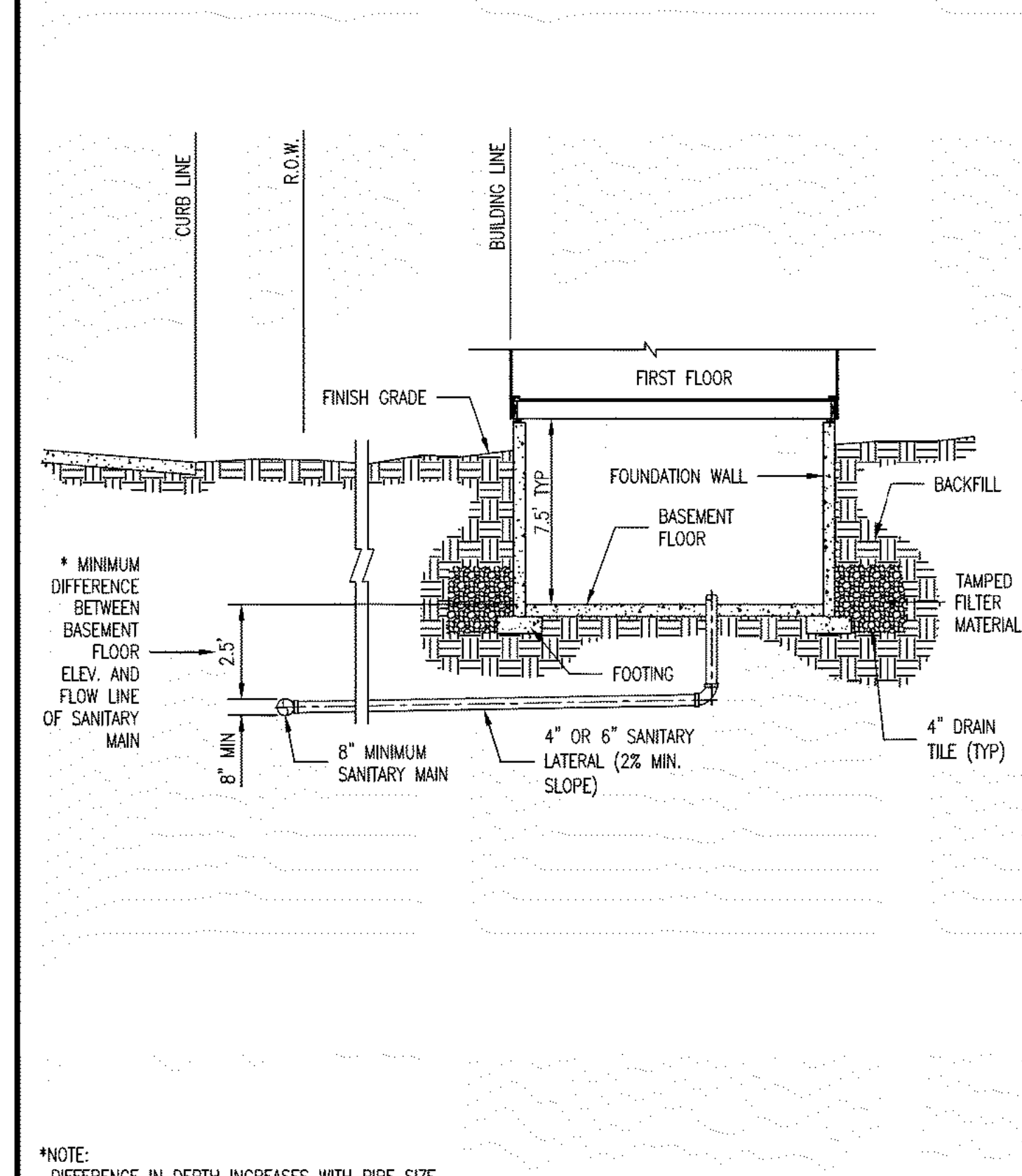
ADJUSTABLE HEAD TYPE CLEANOUT

Duckett Creek Sanitary District

TYPICAL SEWER LATERAL CLEANOUT DETAIL

Own By: BSM App By: KLA Detail No. 25

Clk By: MDOB Date: DEC. 2015



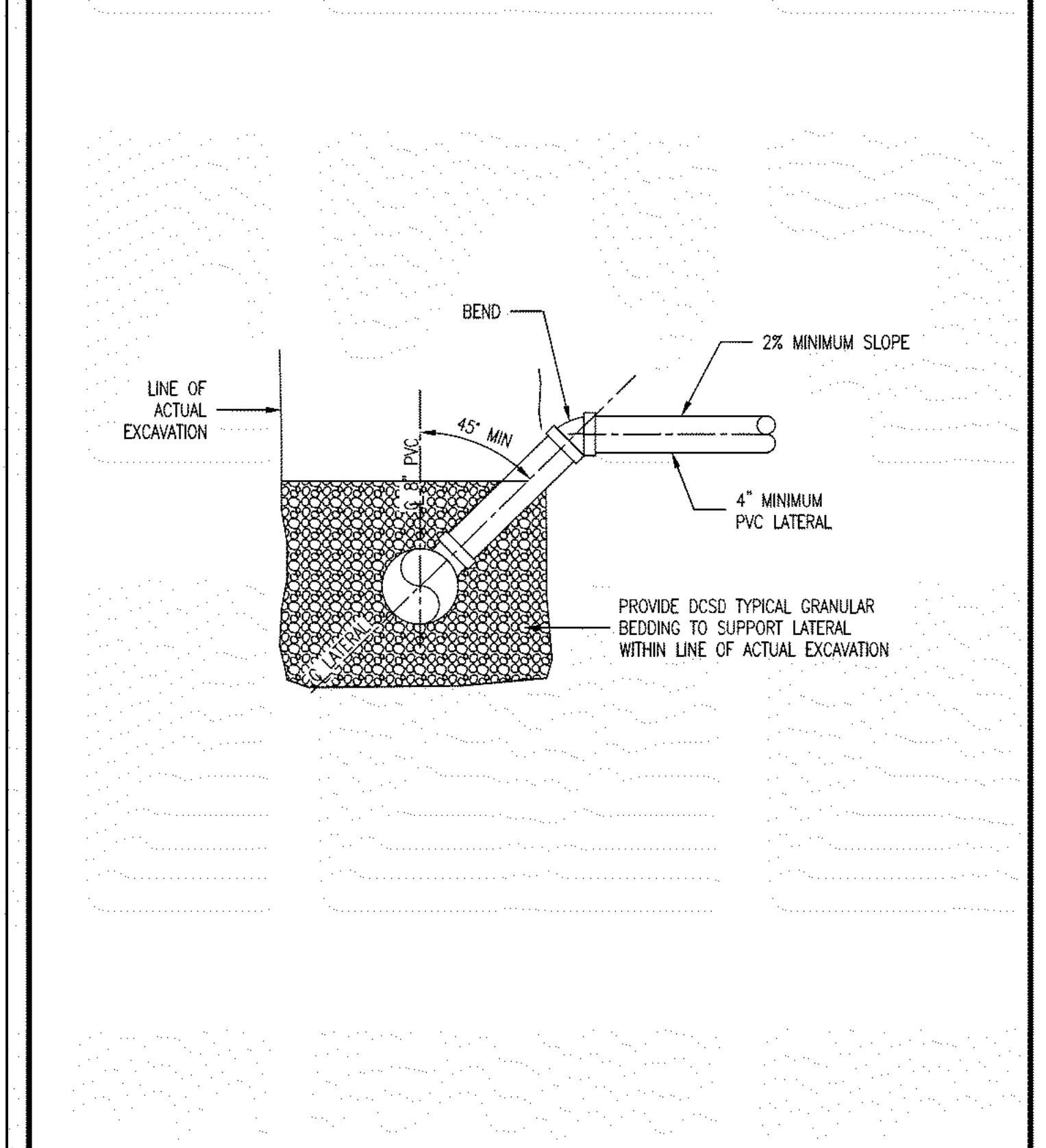
*NOTE: DIFFERENCE IN DEPTH INCREASES WITH PIPE SIZE

Duckett Creek Sanitary District

TYPICAL SANITARY SEWER LATERAL PROFILE

Own By: BSM App By: KLA Detail No. 26

Clk By: MDOB Date: DEC. 2015



Duckett Creek Sanitary District

SANITARY SEWER LATERAL RISER DETAIL

Own By: BSM App By: KA Detail No. 27

Clk By: MDOB Date: DEC. 2015

H:\CAD\22000-22999\22074\img\plans\22074 - C36 Construction Details Sheet 7.dgn - Detail - 6/29/2021 4:58:45 PM Plotted by rholmes Plot Scale: 1:0000 of 17 in. Plot Driver: volz15.pdf.plt