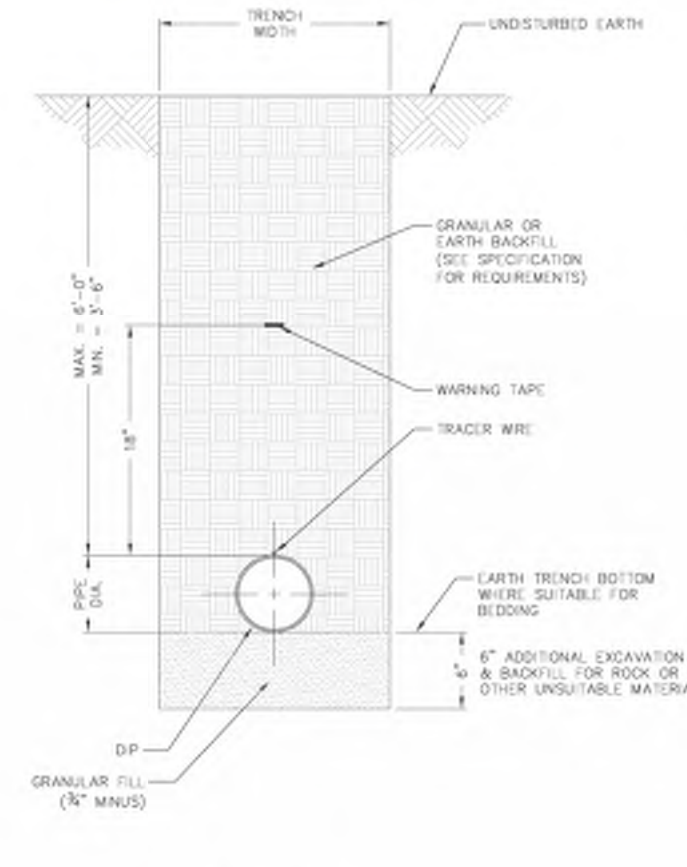


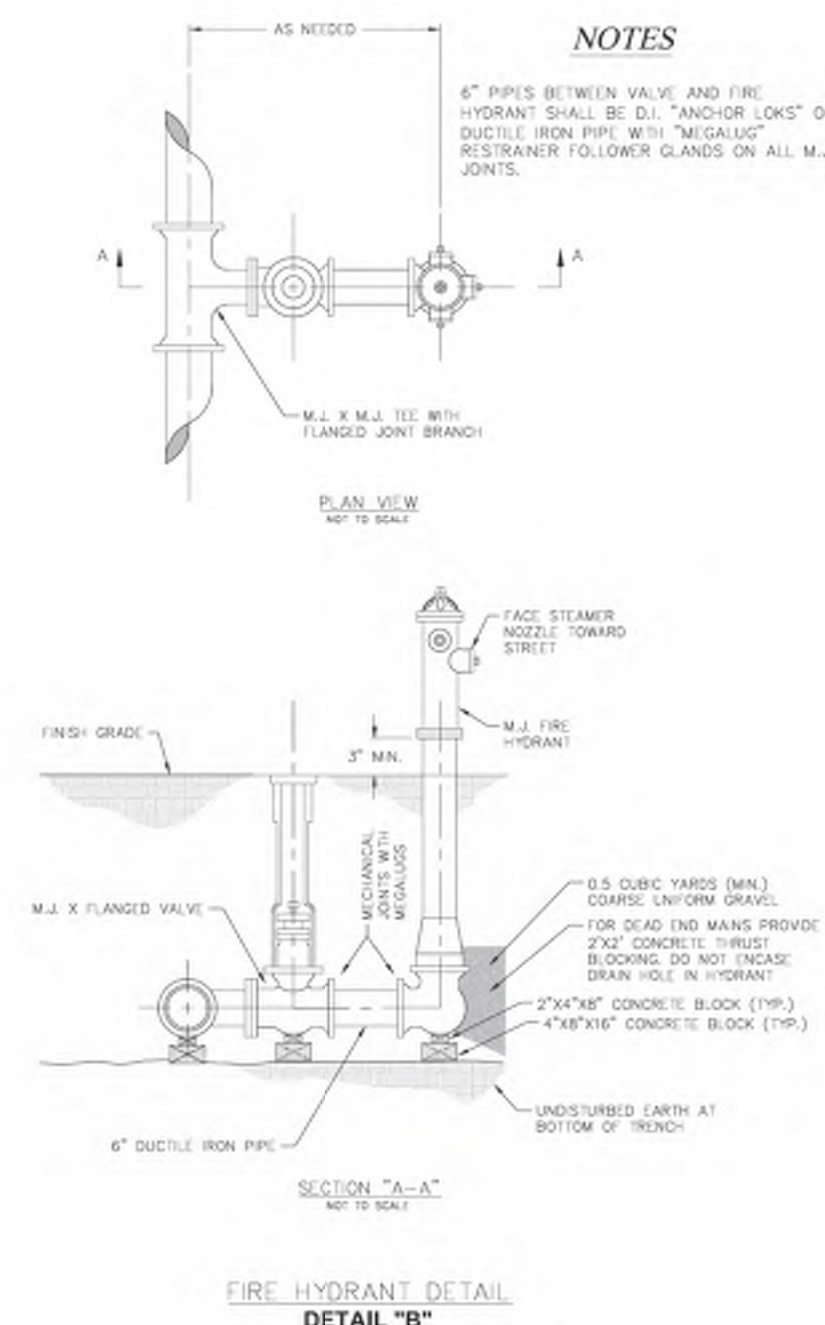
NOTES
 1) SEE SPECIFICATIONS FOR ADDITIONAL DETAILS FOR BEDDING AND BACKFILL.
 2) SEE SPECIFICATIONS FOR ADDITIONAL DETAILS FOR BEDDING AND BACKFILL.

TYPICAL TRENCH SECTION FOR PVC PIPE
 NOT TO SCALE
DETAIL "A"
 PAGE 1 OF 2

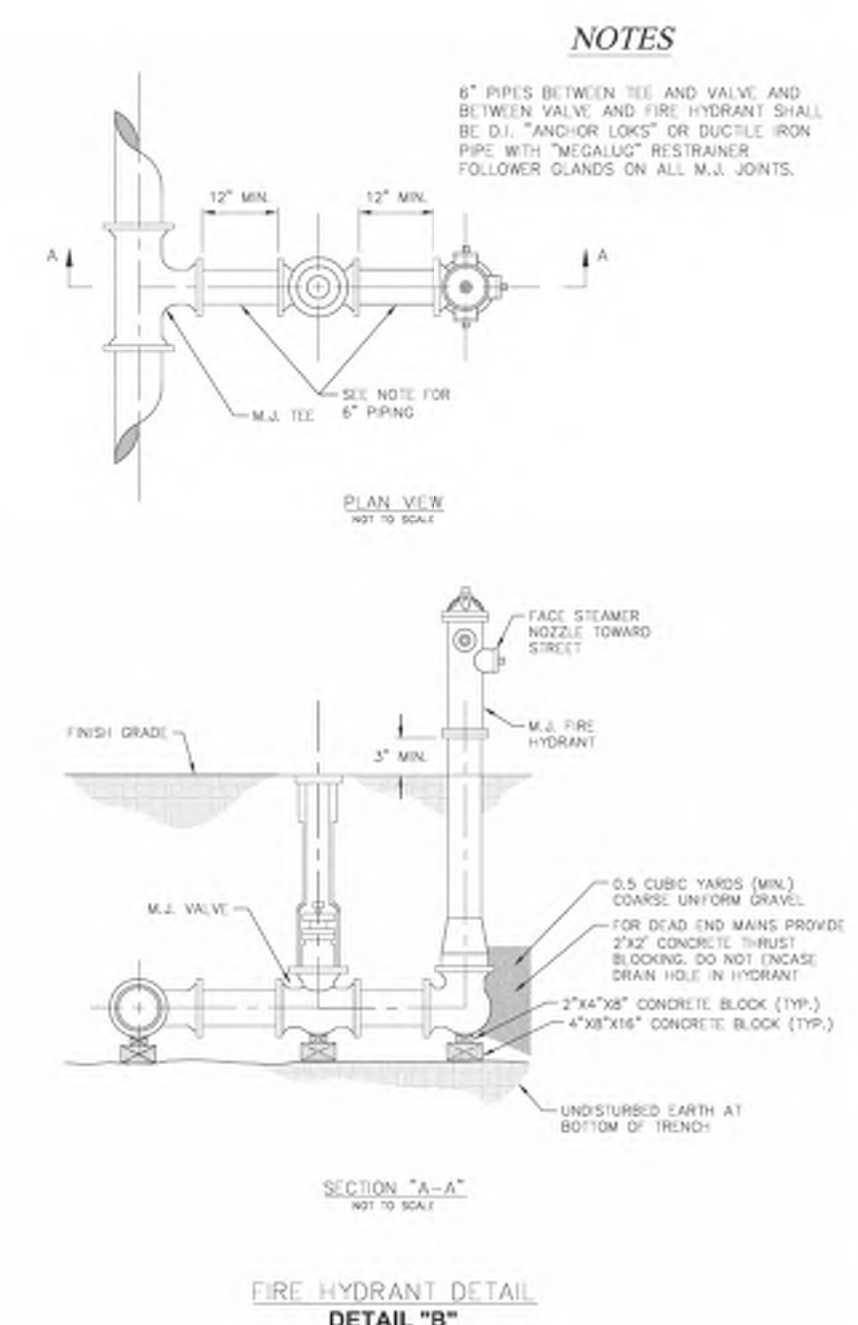


NOTES
 1) POLYWRAP REQUIRED FOR DUCTILE IRON PIPE.
 2) SEE SPECIFICATIONS FOR ADDITIONAL DETAILS FOR BEDDING AND BACKFILL.

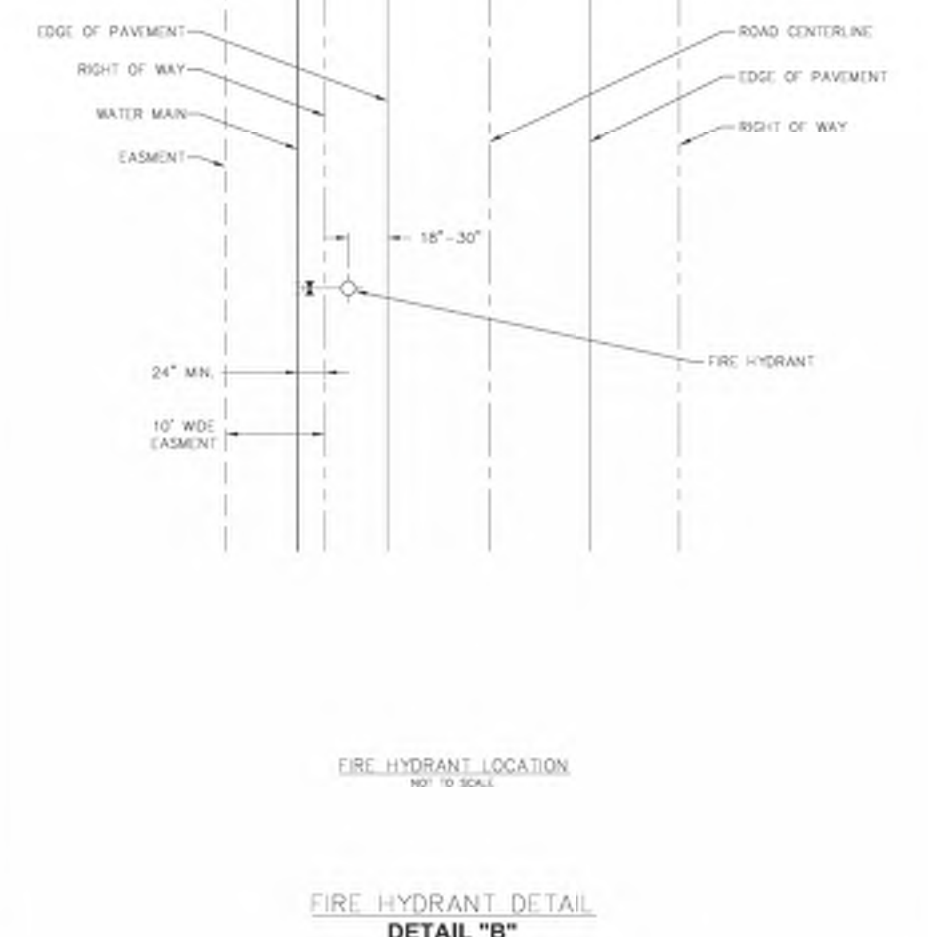
TYPICAL TRENCH SECTION FOR DUCTILE IRON PIPE
 NOT TO SCALE
DETAIL "A"
 PAGE 2 OF 2



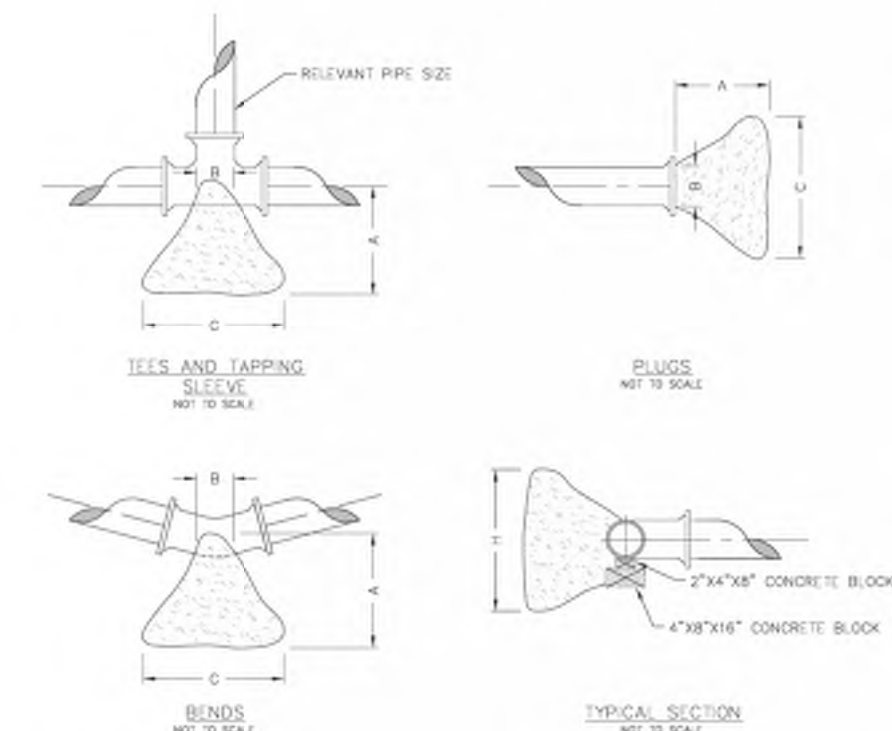
FIRE HYDRANT DETAIL
DETAIL "B"
 PAGE 1 OF 3



FIRE HYDRANT DETAIL
DETAIL "B"
 PAGE 2 OF 3



FIRE HYDRANT LOCATION
 NOT TO SCALE
FIRE HYDRANT DETAIL
DETAIL "B"
 PAGE 3 OF 3

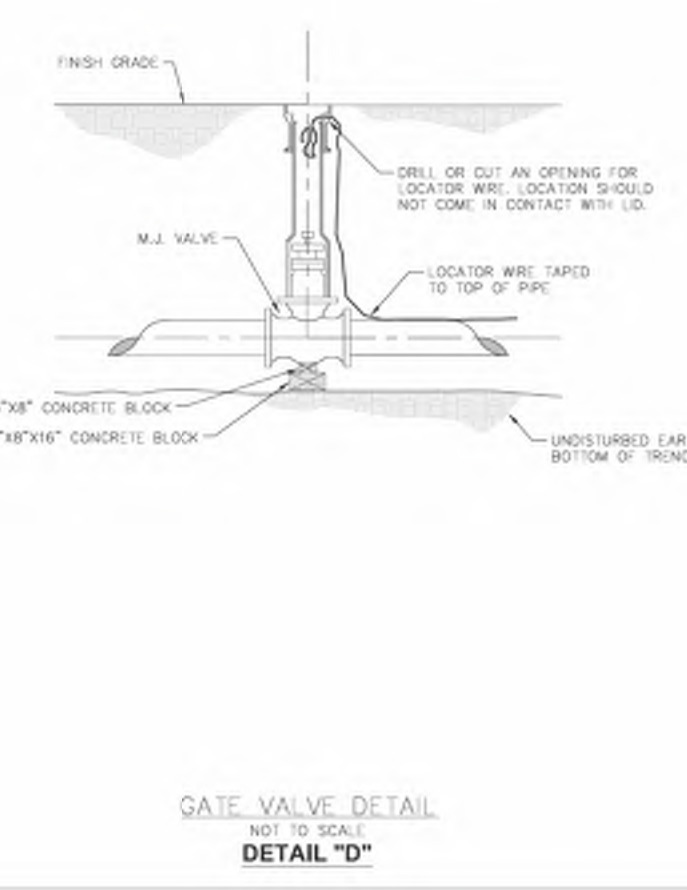


THRUST BLOCK DIMENSIONS - INCHES

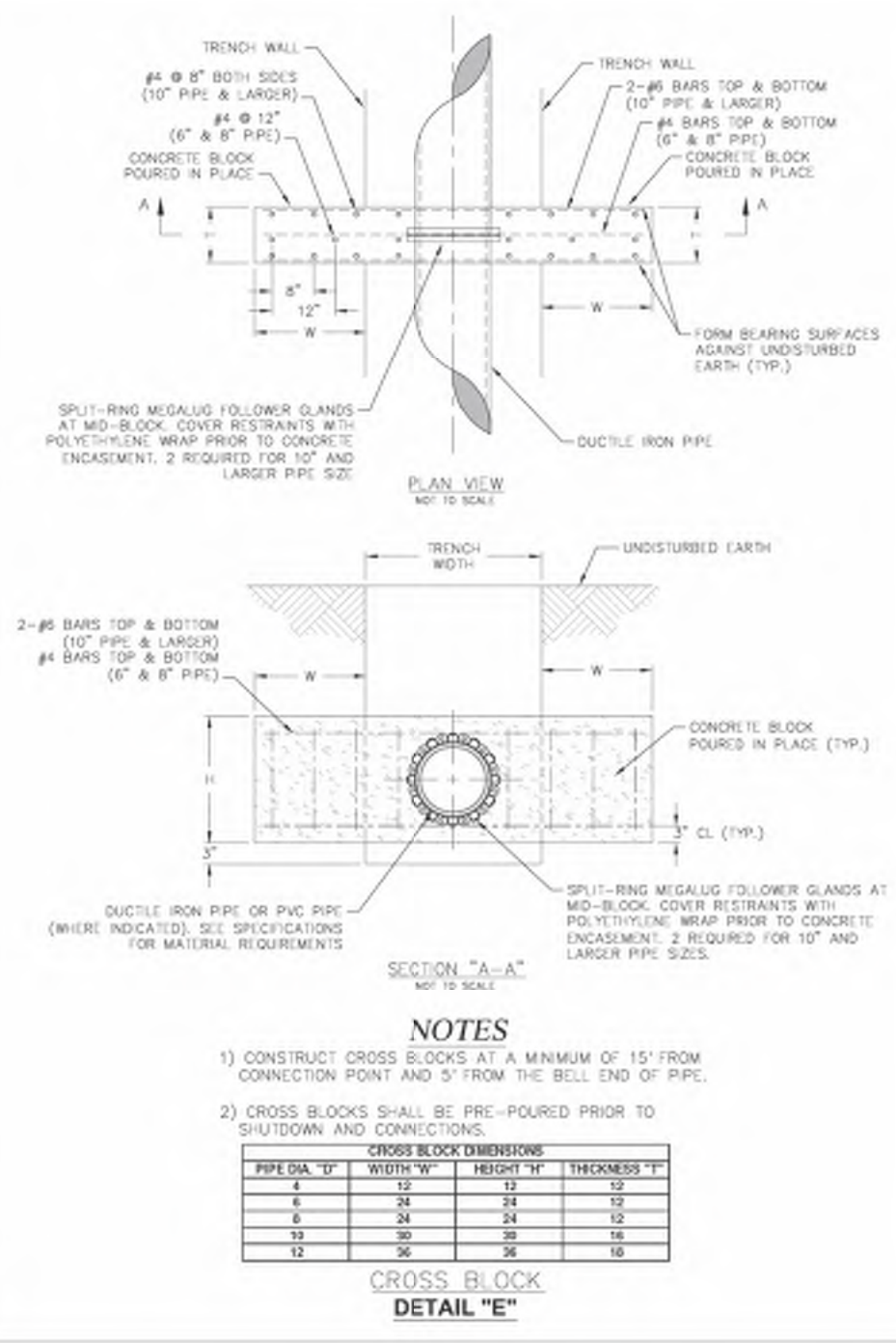
PIPE DIA.	ALL FTGS.	TEE PLUG TAPPING		90 DEGREE BEND		45 DEGREE BEND		22-1/2 BEND		11-1/4 BEND	
		A	B	C	H	C	H	C	H	C	H
4	14	4	24	12	26	15	18	12	12	12	12
6	18	6	36	18	36	24	30	18	24	12	12
8	20	8	36	30	42	36	36	24	24	18	18
10	20	10	48	36	66	36	36	28	24	18	18
12	24	12	66	36	82	42	52	36	40	24	28

NOTE
 FOR FITTINGS LARGER THAN 12\"/>

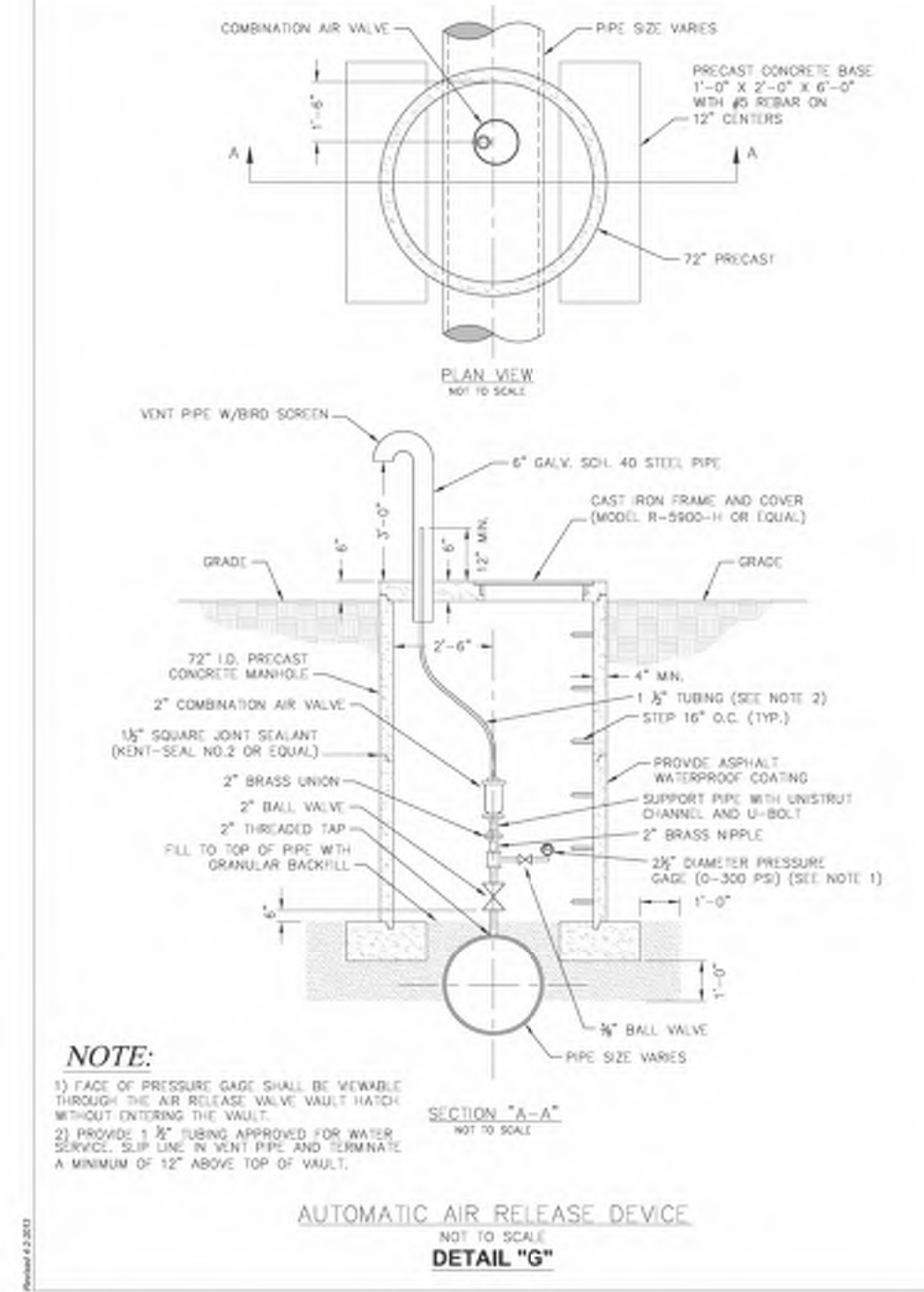
HORIZONTAL THRUST BLOCKING
DETAIL "C"



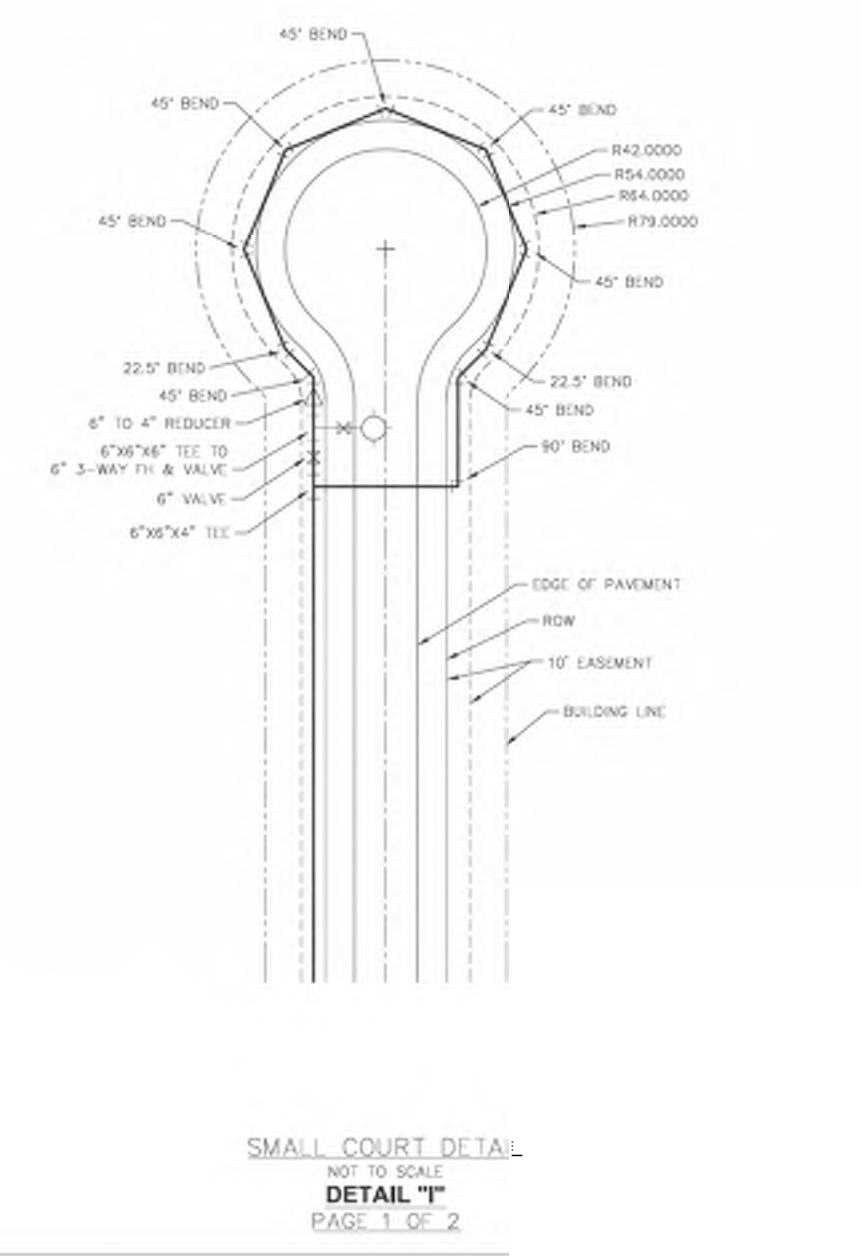
GATE VALVE DETAIL
DETAIL "D"



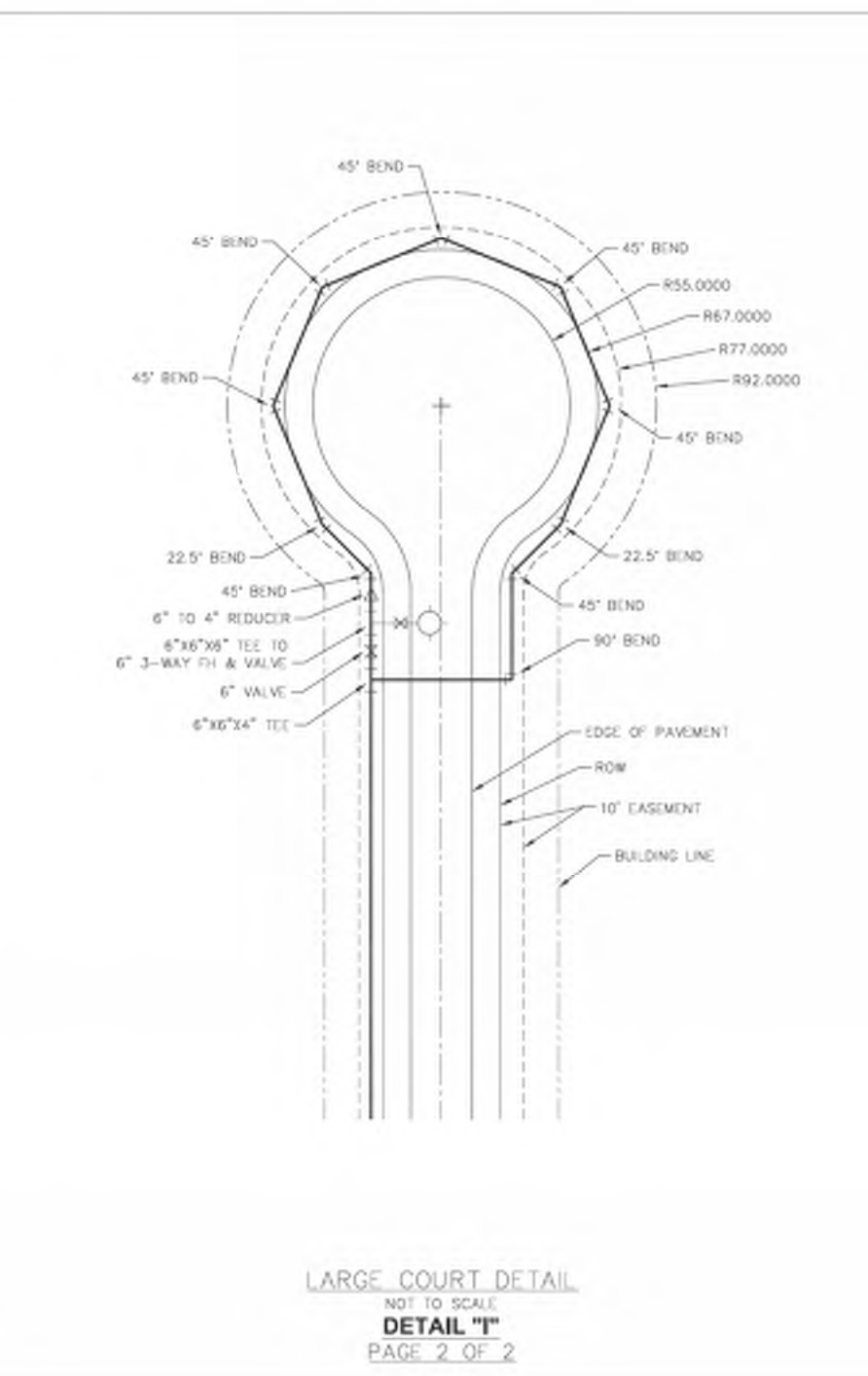
CROSS BLOCK
DETAIL "E"



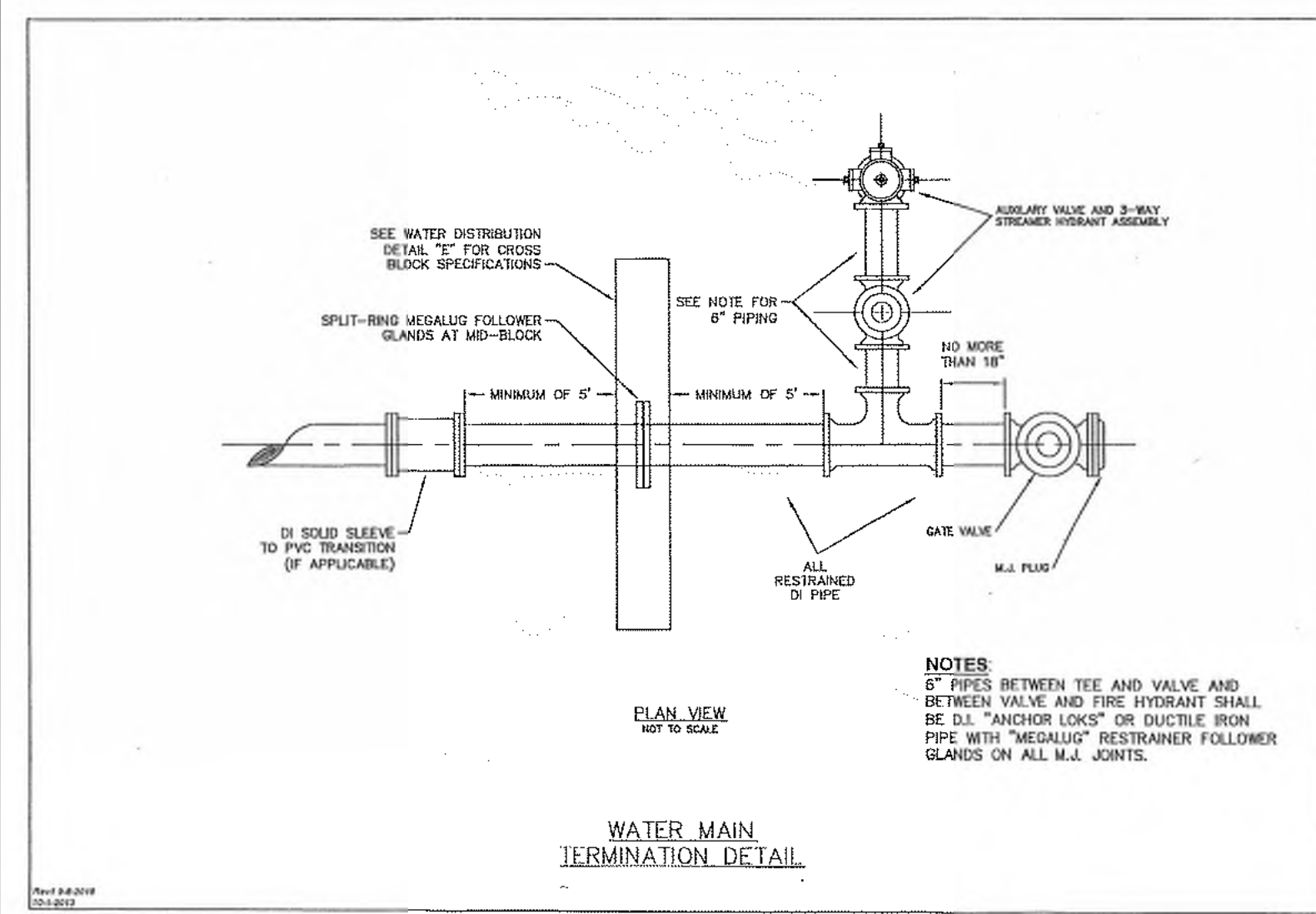
AUTOMATIC AIR RELEASE DEVICE
DETAIL "G"



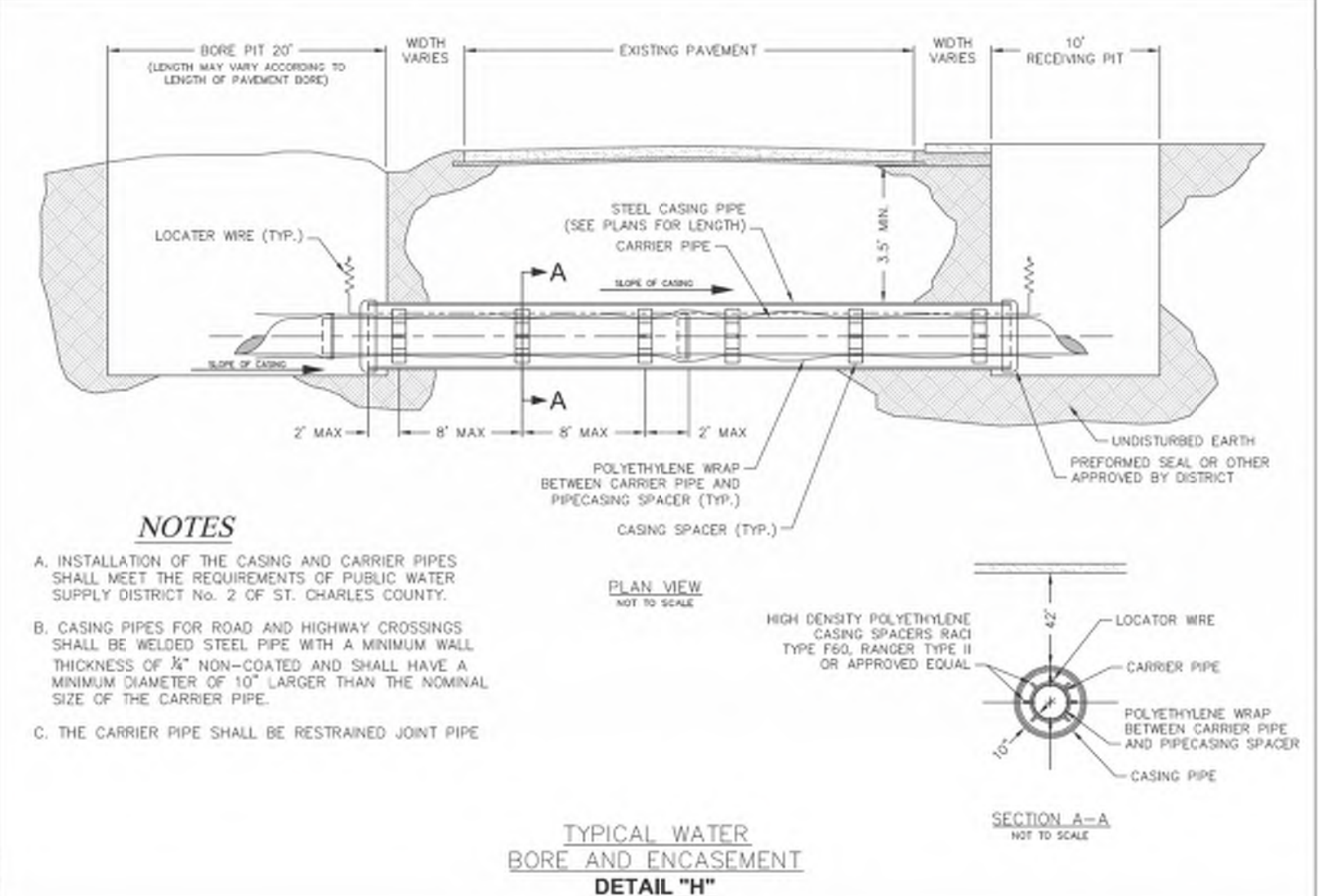
SMALL COURT DETAIL
 NOT TO SCALE
DETAIL "I"
 PAGE 1 OF 2



LARGE COURT DETAIL
 NOT TO SCALE
DETAIL "I"
 PAGE 2 OF 2



WATER MAIN TERMINATION DETAIL



TYPICAL WATER BORE AND ENCASEMENT
DETAIL "H"