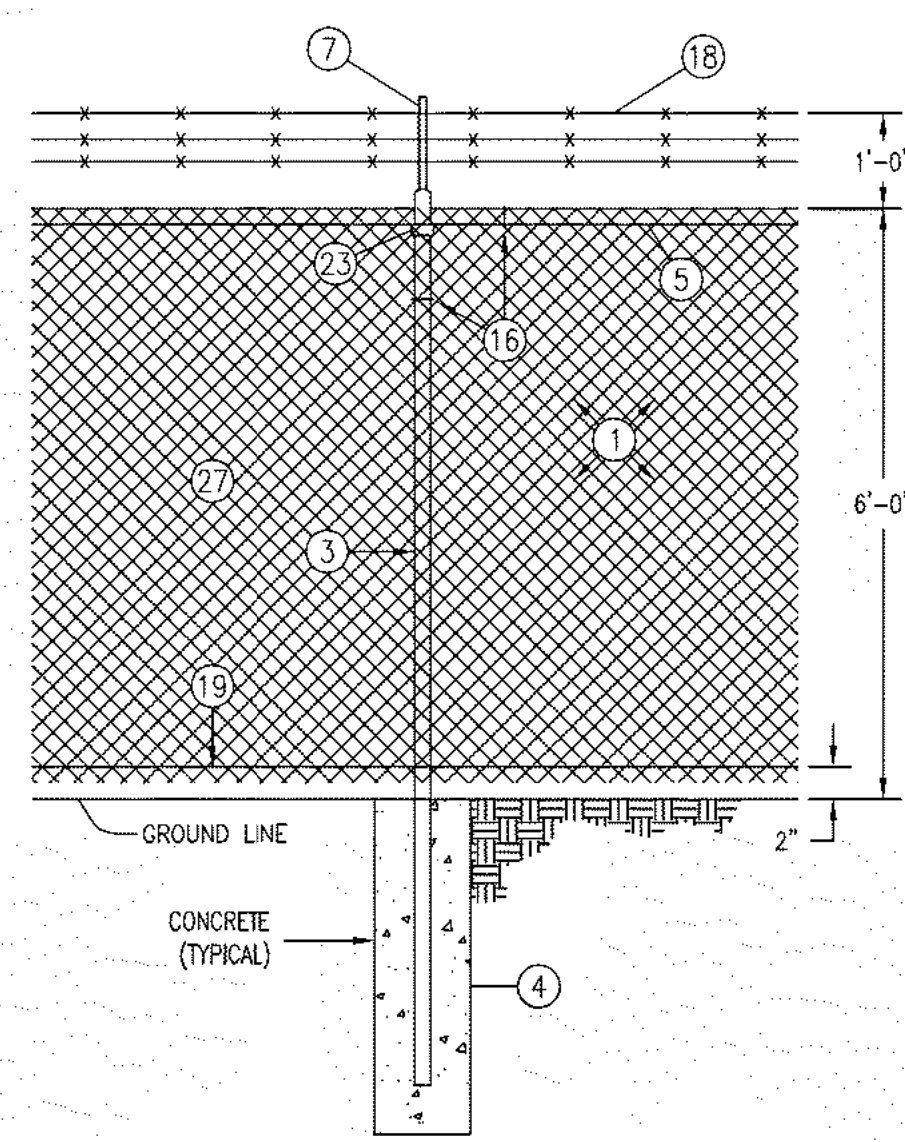
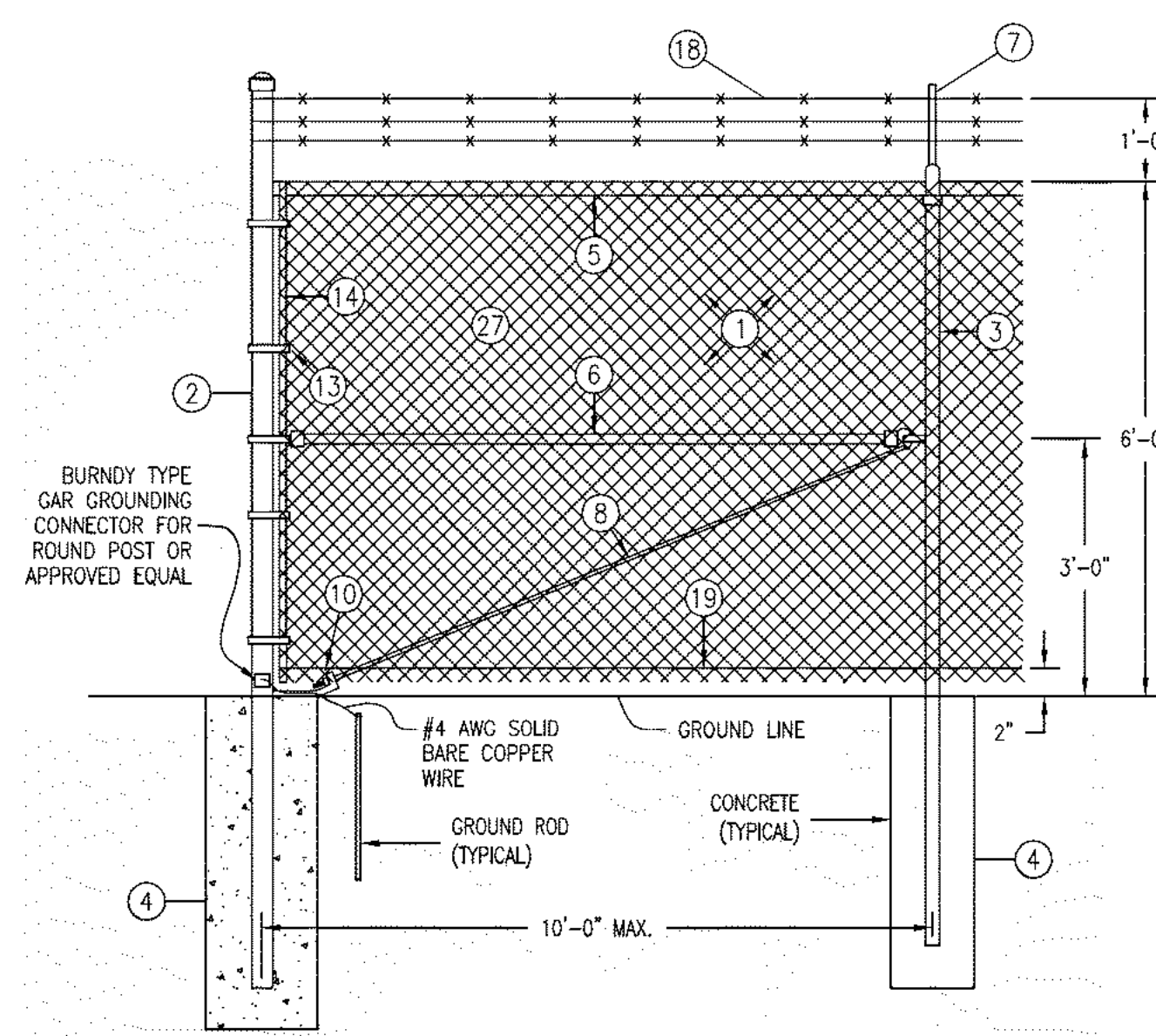


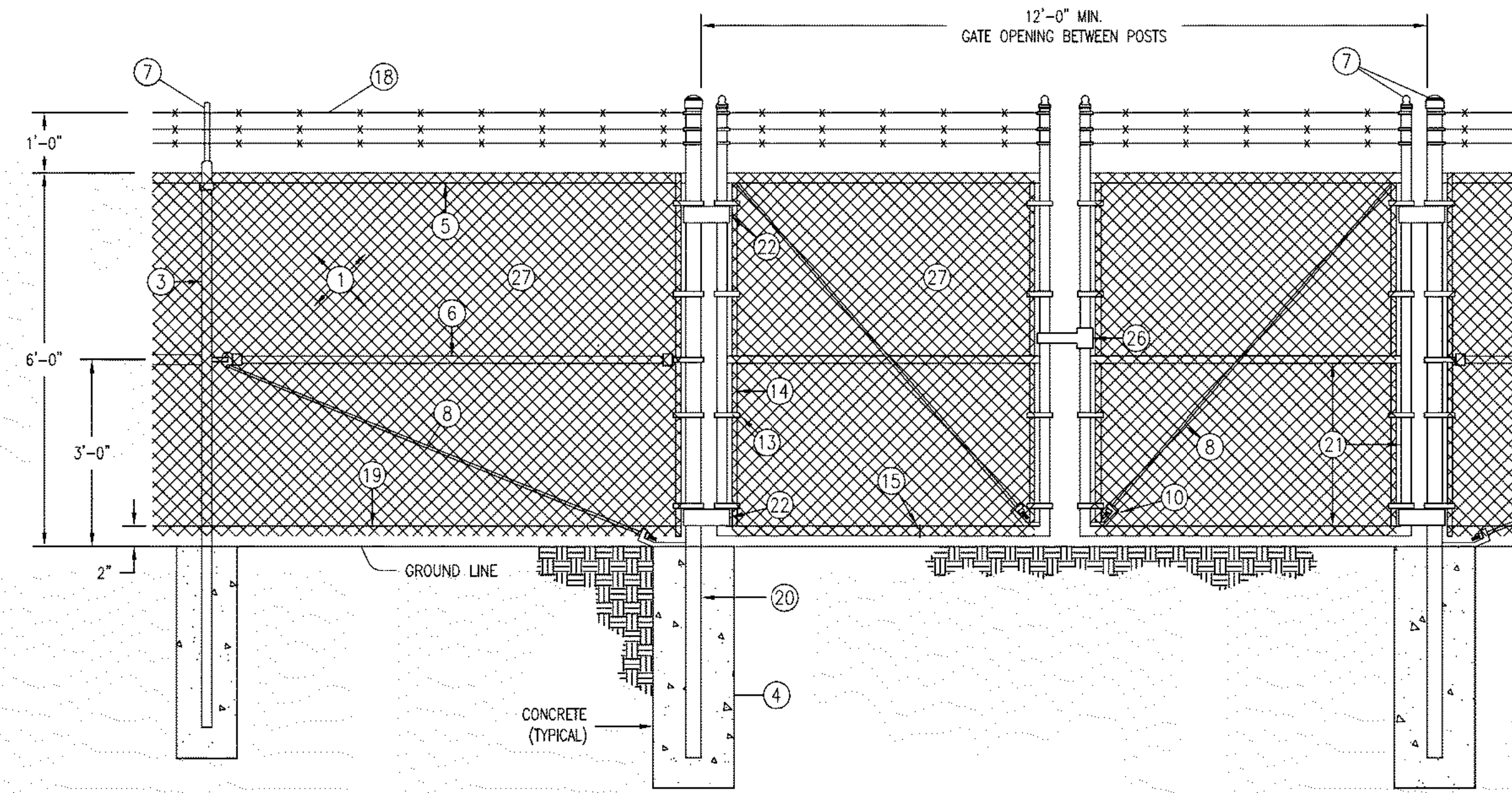
H:\CAD\22000-22999\22074\NimpPlans\22074 - C48.2 Pump Station Details Sheet 3.dgn - Detail - 6/30/2021 8:48:34 AM Plotted by: rholmes Plot Scale: 1:1000 / in. Plot Driver: volz15.pdf.plt/ctg Pen Table: volz15.pdf.tbl



STANDARD LINE POST DETAILS  
NTS

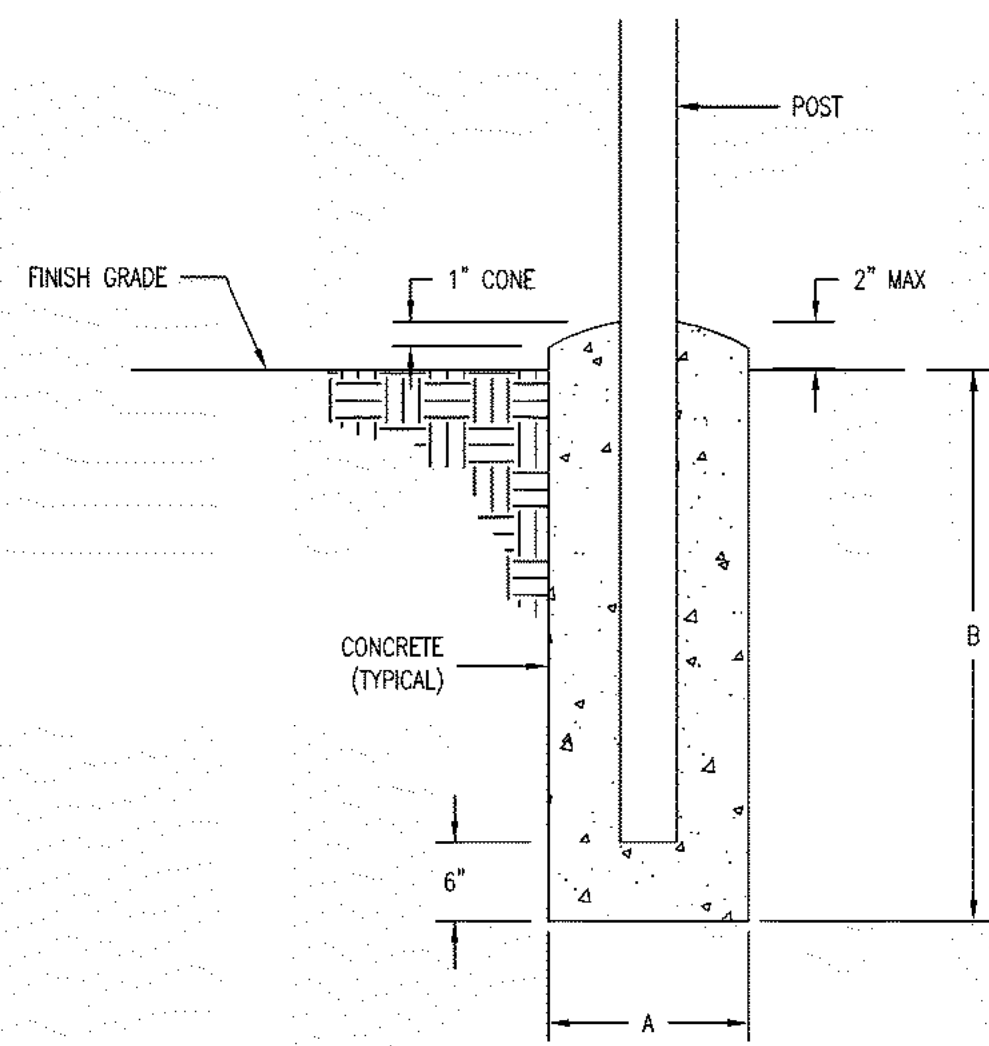


STANDARD CORNER DETAILS  
NTS



DOUBLE SWING GATE DETAILS  
NTS

FENCE NOMENCLATURE AND PARTS LIST		
NO.	DESCRIPTION	REMARK
1	FABRIC: CHAIN LINK TYPE	6" HIGH CHAIN LINK FABRIC, 11 GAUGE
2	POSTS: PULL, CORNER, P.L.'S	WIRE SHALL BE GALVANIZED STEEL WOVEN IN A 2" MESH
3	POST: LINE	
4	BASE, FOR POSTS	SEE DETAIL IN THIS DWG.
5	RAIL, TOP	
6	RAIL, BRACE	
7	POST TOP OR EXTENSION ARM	EXTENDING 45° OUTWARD
8	ROD, TRUSS	
9	BAND, TRUSS & BRACE	
10	TRUSS TIGHTENER	
11	RAIL, END	COMPLETE ASSEMBLY
12	BAND, BRACE	TO FIT SHAPE BEING USED
13	BAND, STRETCHER BAR	FOR BRACE BOTH SIDES OF POSTS
14	BAR, STRETCHER	LENGTH TO SUIT FABRIC
15	TIES, FABRIC TO RAILS	ON GATE ONLY
16	TIES, FABRIC TO POSTS	(TOP RAILS)
17	TIES, FABRIC TO WIRES	
18	WIRE, BARBED	3 ROWS ON EXTENSION ARMS
19	WIRE, TENSION COIL SPRING STEEL	BOTTOM ONLY
20	POSTS, GATE	
21	FRAMES, GATE	
22	HINGE	180° SWINGING, BOLT TO POST WITH 1/2" BOLT AFTER GATE IS INSTALLED
23	TOP CAP	
24	BAND END	
25	MALLEABLE IRON GATE KEEPER	
26	FORK LATCH AND HANGER	
27	PRIVACY SLATS	INSTALL "SOLID SLAT" PRIVACY SLATS 1-1/8" x 6", COLOR - BEIGE

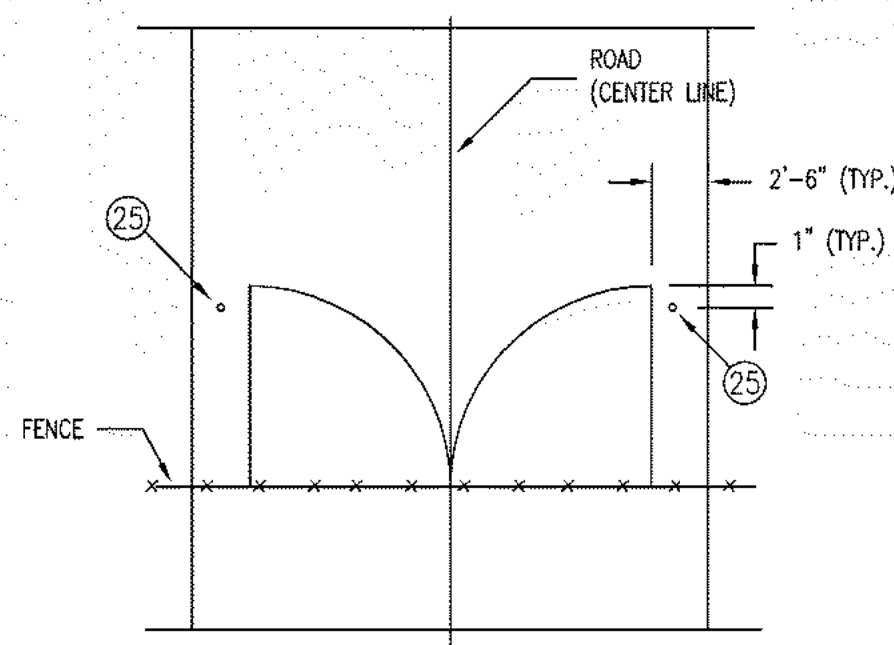


CONCRETE BASE DETAIL  
NTS

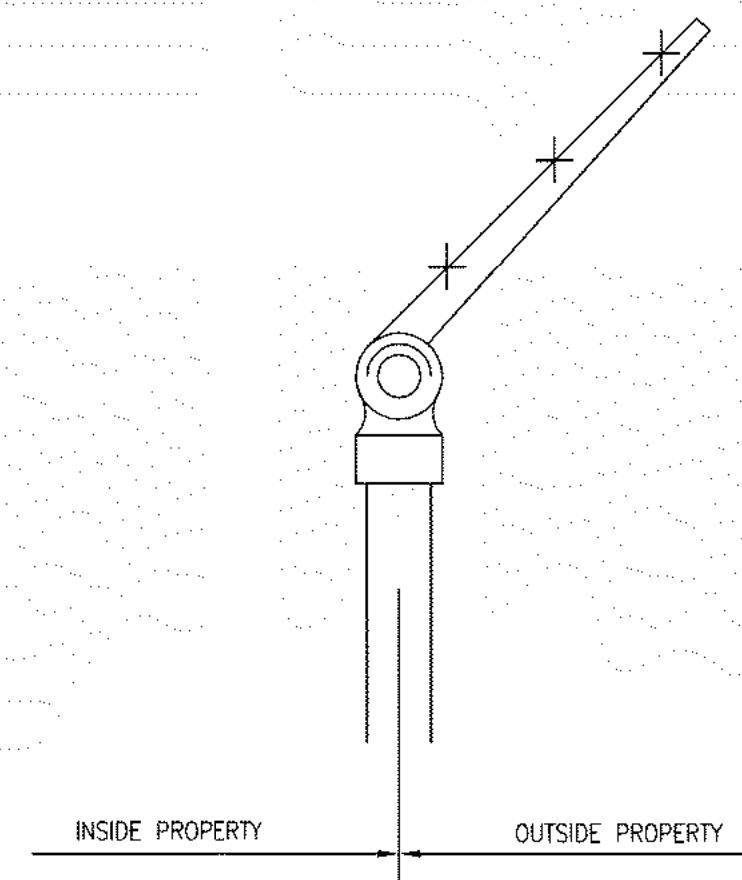
TYPE OF POST	SIZE	DIA. "A" MIN	DEPTH "B"
LINE & GATE FRAME	1-1/2" NOMINAL (1.9" O.D.)	12"	3'-6"
END CORNER OR PULL POST	2" NOMINAL (2.875" O.D.)	16"	4'-0"
GATE & POST	3-1/2" NOMINAL (4" O.D.)	16"	4'-0"



4 REQUIRED  
WARNING SIGN DETAIL  
NTS



DOUBLE SWING GATE DETAIL  
NTS



EXTENSION ARM DETAIL  
NTS

NOTE: SEE SECTION 9.2 OF THE PUMP STATION DESIGN REQUIREMENTS FOR ADDITIONAL INFORMATION ON THE FENCE SPECIFICATIONS.

	Duckett Creek Sanitary District		
	FENCE DETAILS	Drawn By: MSM App By: KLA Date: FEB 2016	Detail No.: PS-5

**MCKELVEY HOLMES**  
Building A Tradition Of Excellence Since 1888  
218 Chesterfield Towne Center  
Chesterfield, MO 63005  
Phone: (636) 530-6800

**VOLZ**  
INCORPORATED  
10849 Indian Head Ind. Blvd.  
St. Louis, Missouri 63132  
314.850.1250 FAX  
www.volzinc.com  
Aulinity #203

RYAN L. HOLMES  
Professional Engineer  
PE-2017018988

**SOMMERLIN**

PUMP STATION DETAILS:  
SHEET 3  
Design By: R/H  
Drawn By: R/H  
Checked By: R/H  
Volz Project # 22074  
06-28-21  
C48.2