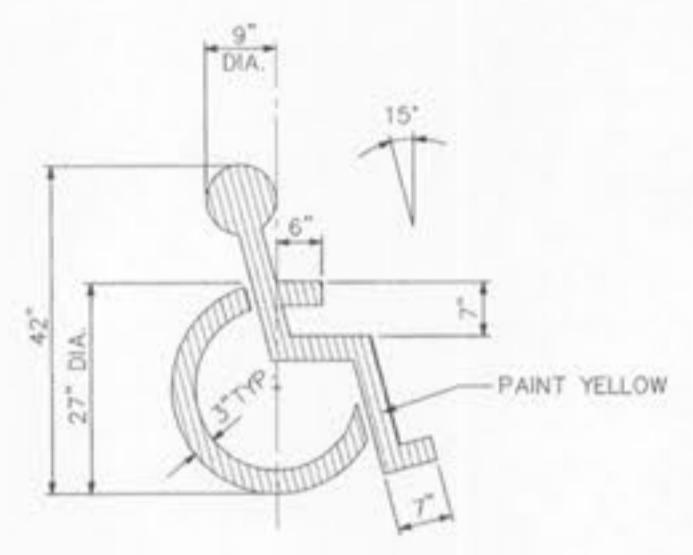


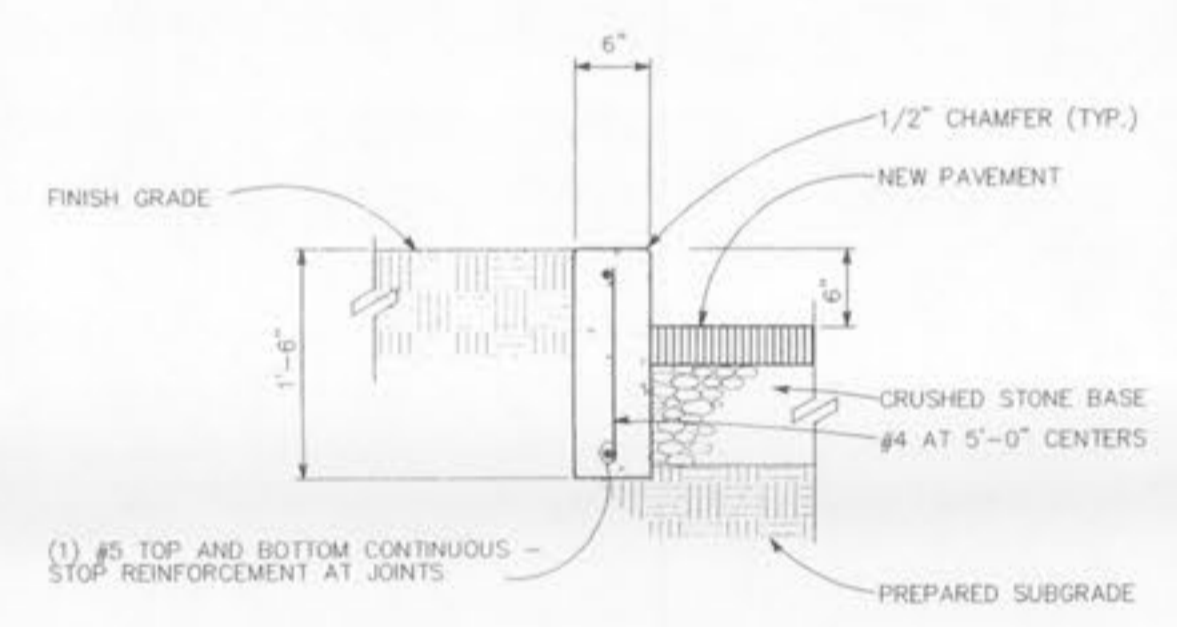
LIGHT POLE & BASE
NOT TO SCALE



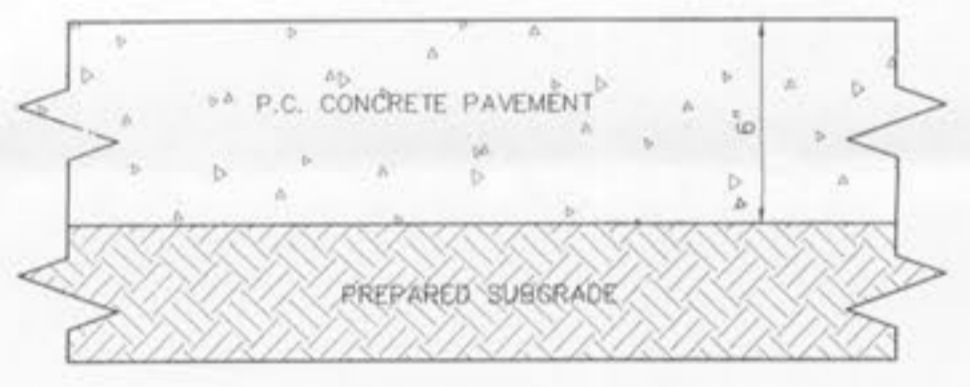
HANDICAP PARKING SIGN (CITY OF O'FALLON)
NOT TO SCALE



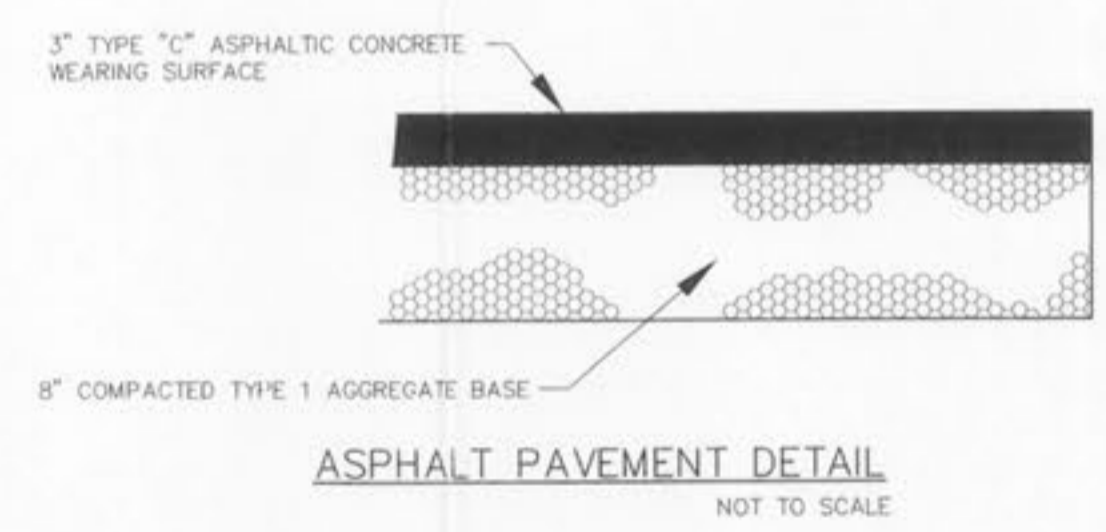
PAINTED HANDICAPPED PARKING SYMBOL
NOT TO SCALE



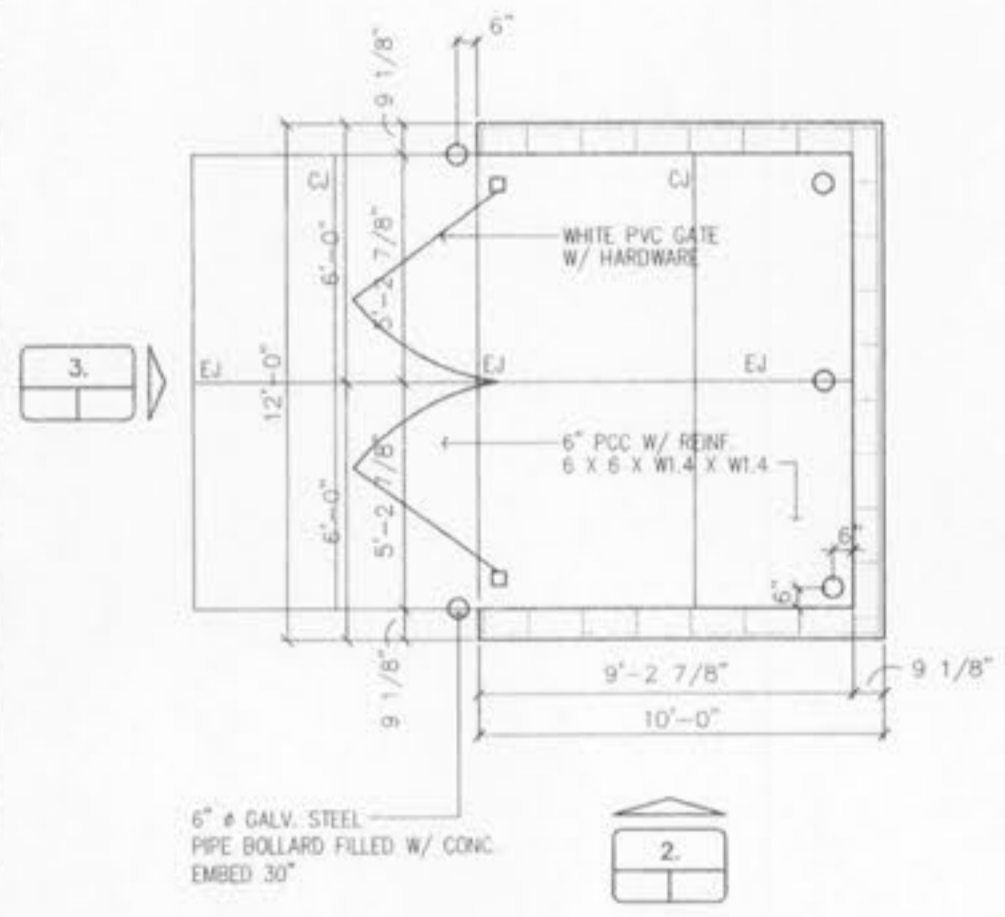
CONCRETE CURB DETAIL
NOT TO SCALE



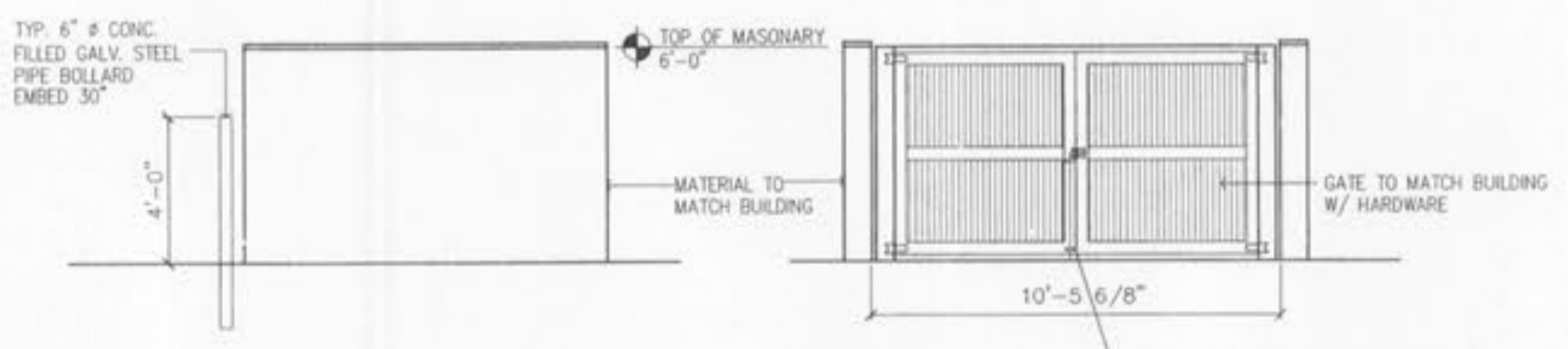
TRASH ENCLOSURE PAVEMENT DETAIL
NOT TO SCALE



ASPHALT PAVEMENT DETAIL
NOT TO SCALE

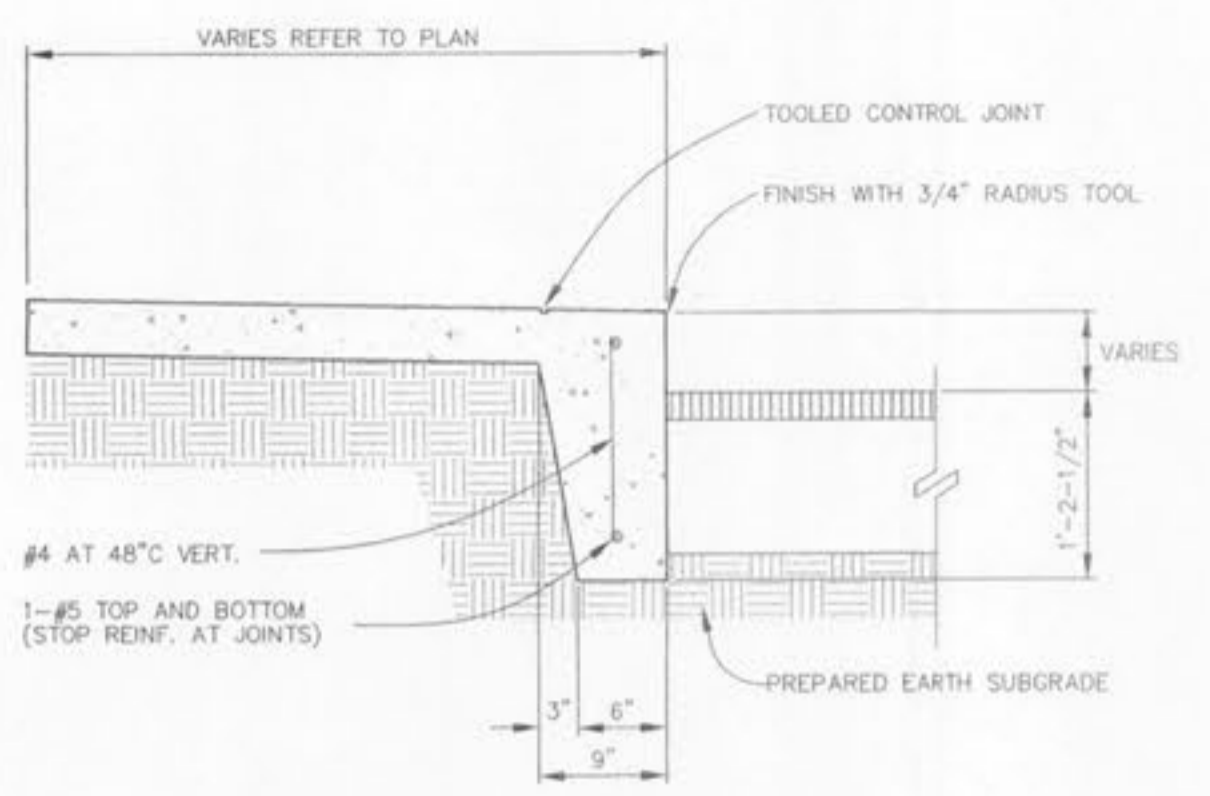


1. TRASH ENCLOSURE PLAN
NOT TO SCALE

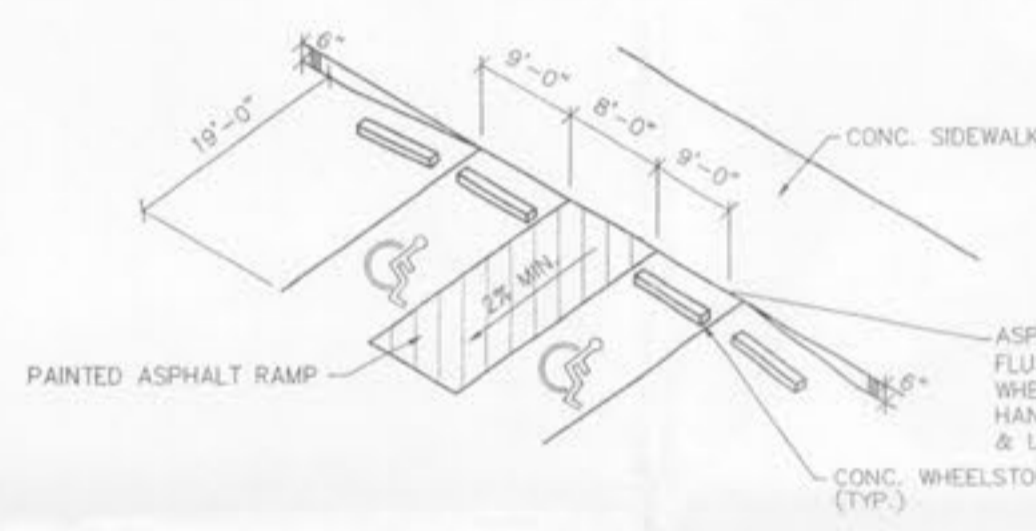


2. ELEVATION
NOT TO SCALE

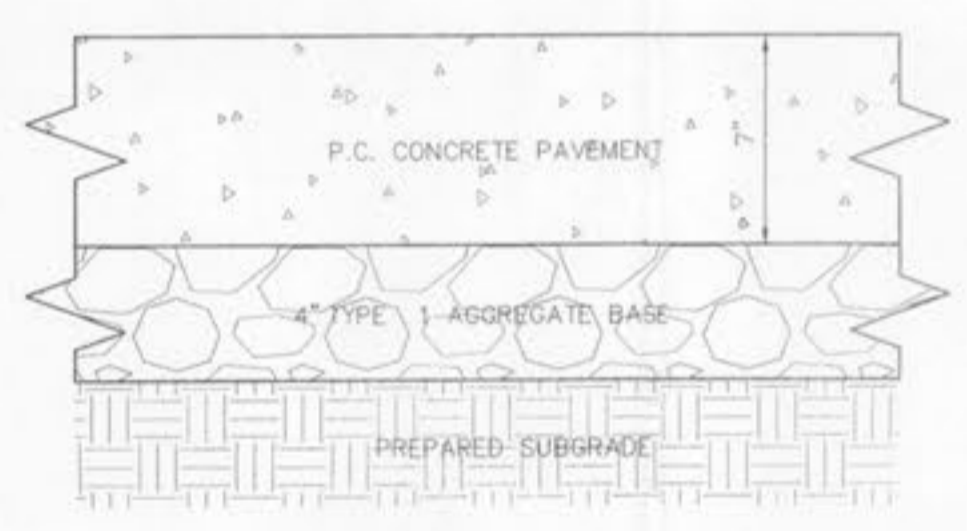
3. ELEVATION
NOT TO SCALE



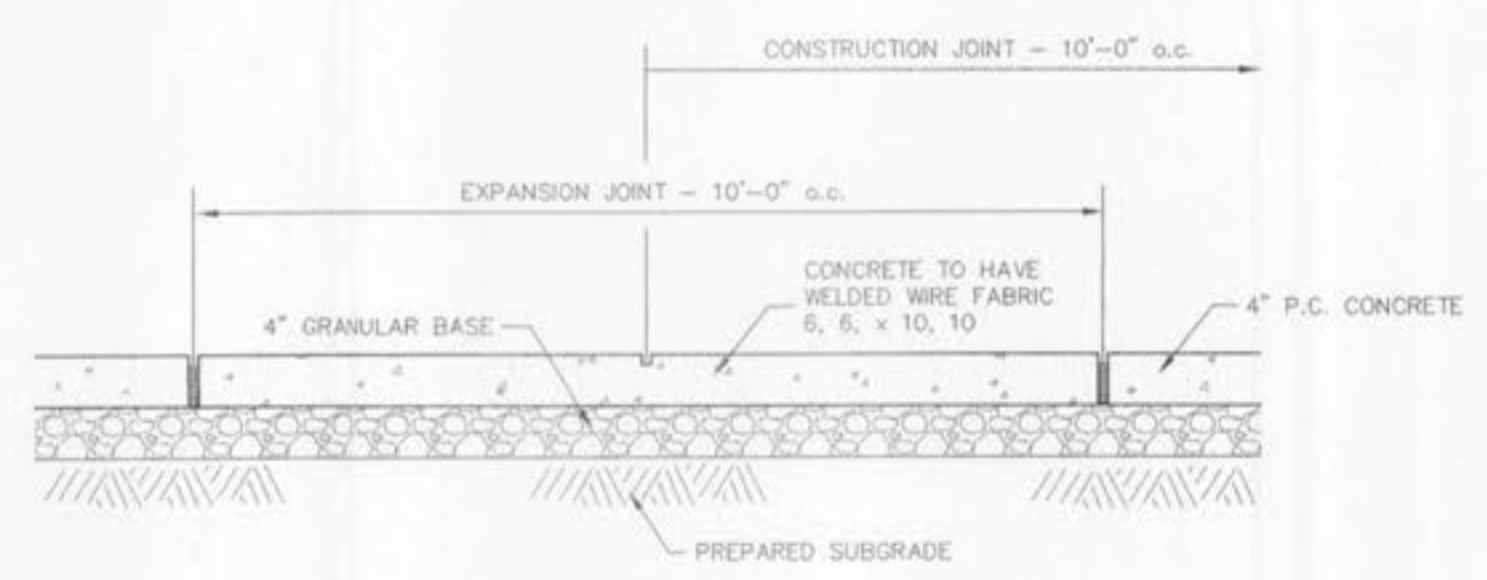
TURNED DOWN CONCRETE WALK
NOT TO SCALE



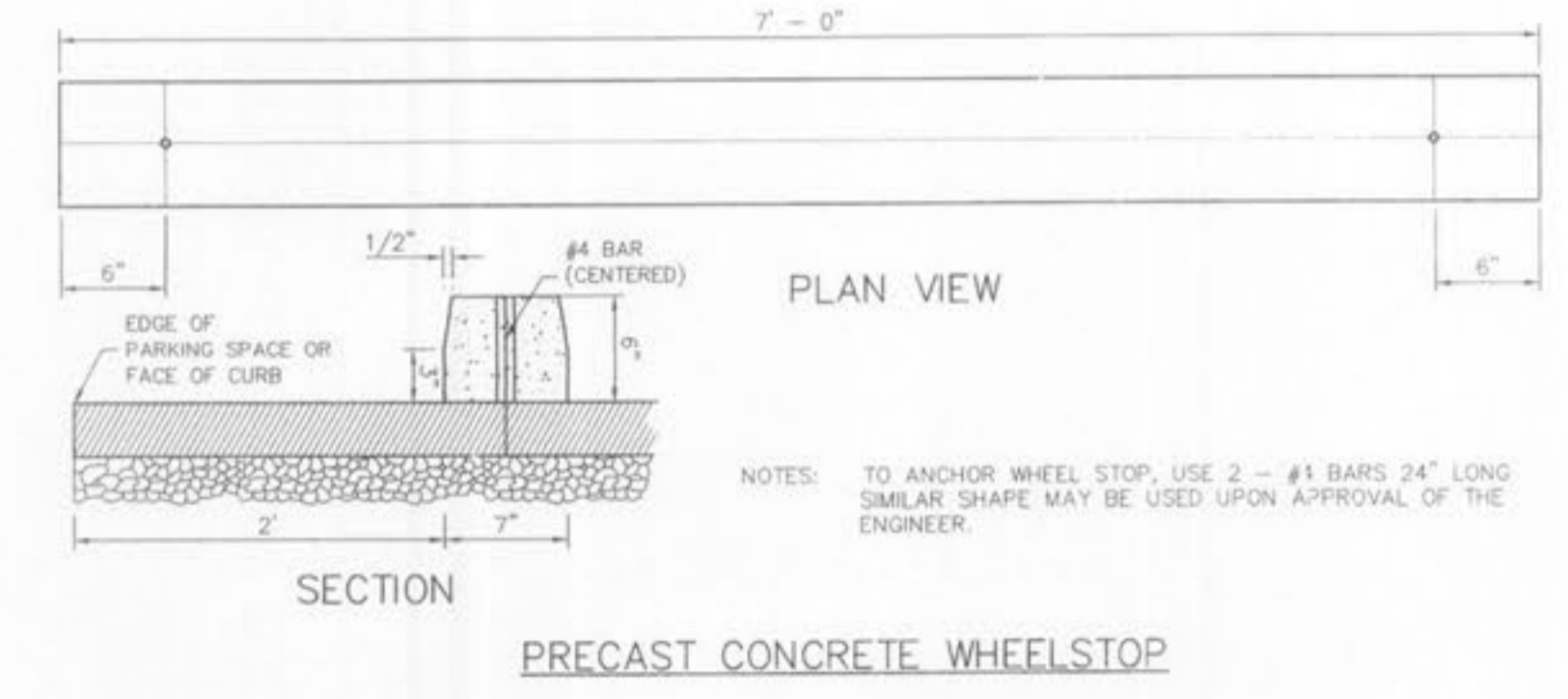
HANDICAPPED NO RAMP DETAIL
NOT TO SCALE



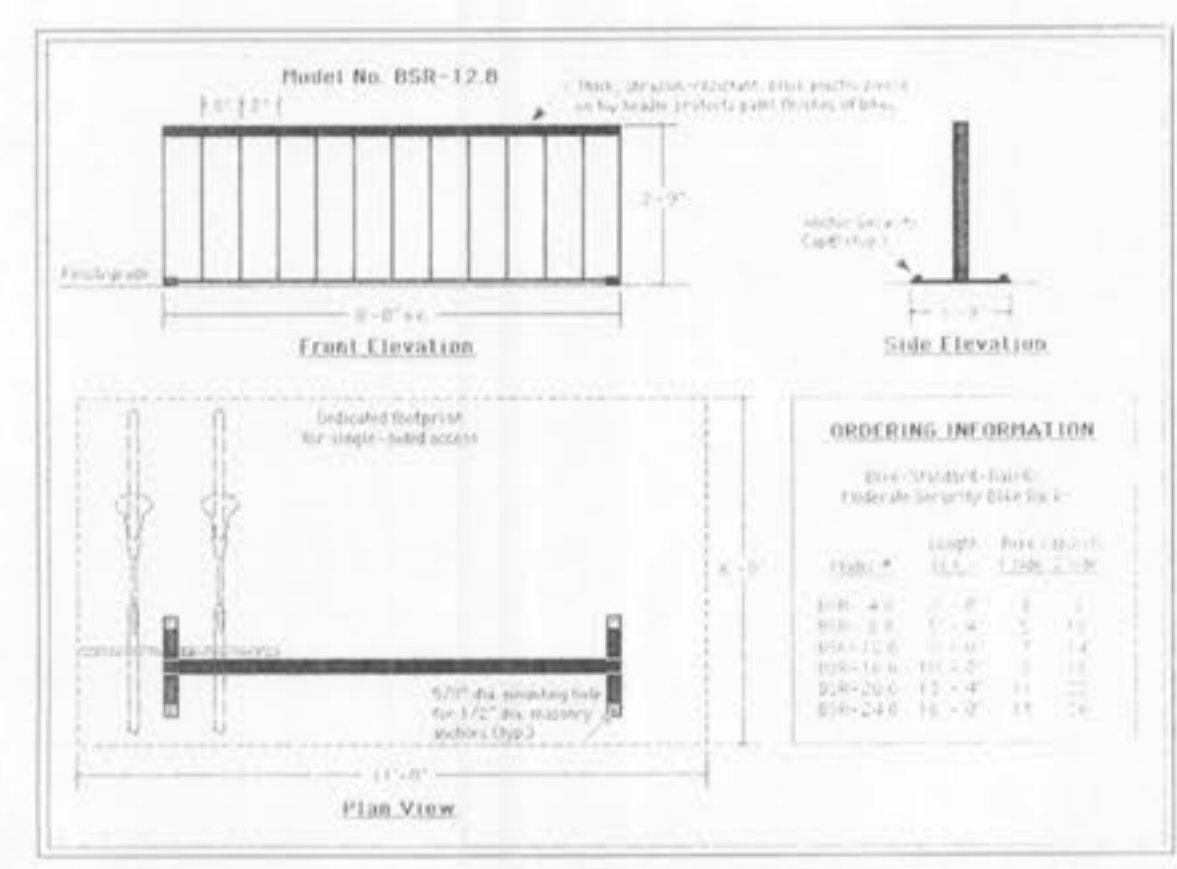
ENTRANCE PAVEMENT DETAIL
NOT TO SCALE



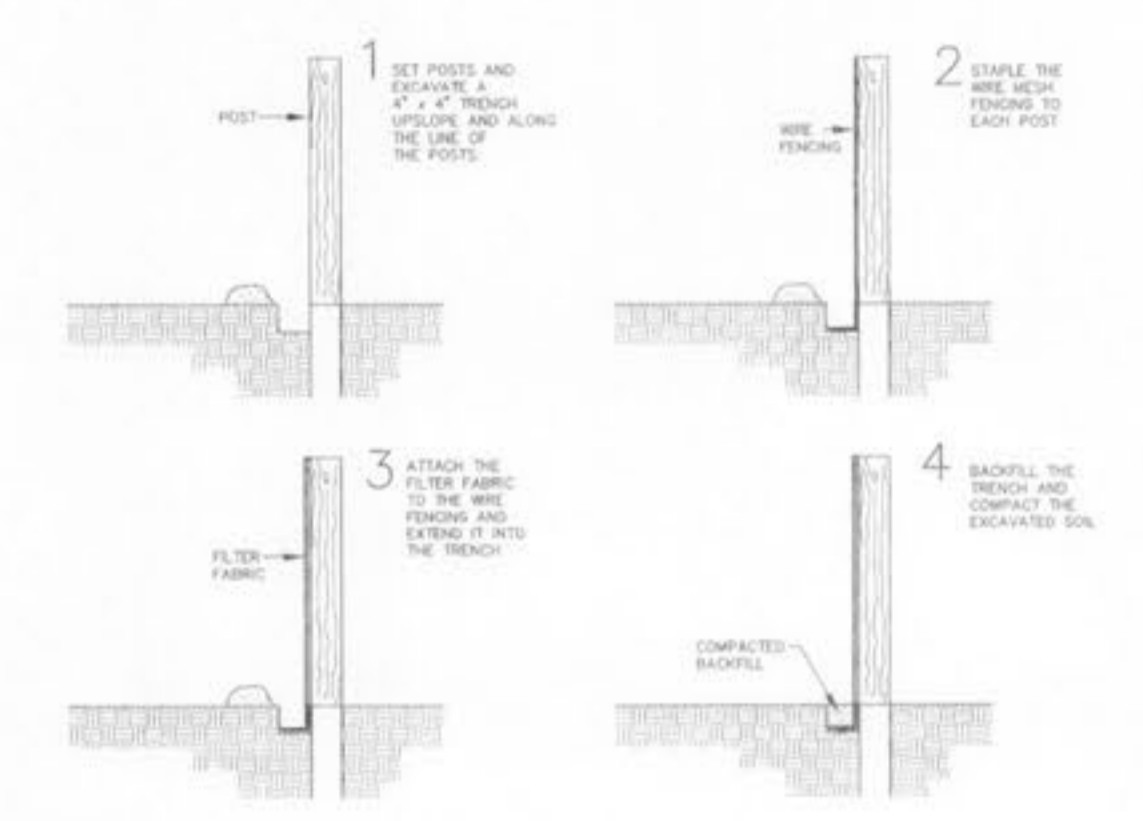
CONCRETE SIDEWALK DETAIL
NOT TO SCALE



PRECAST CONCRETE WHEELSTOP



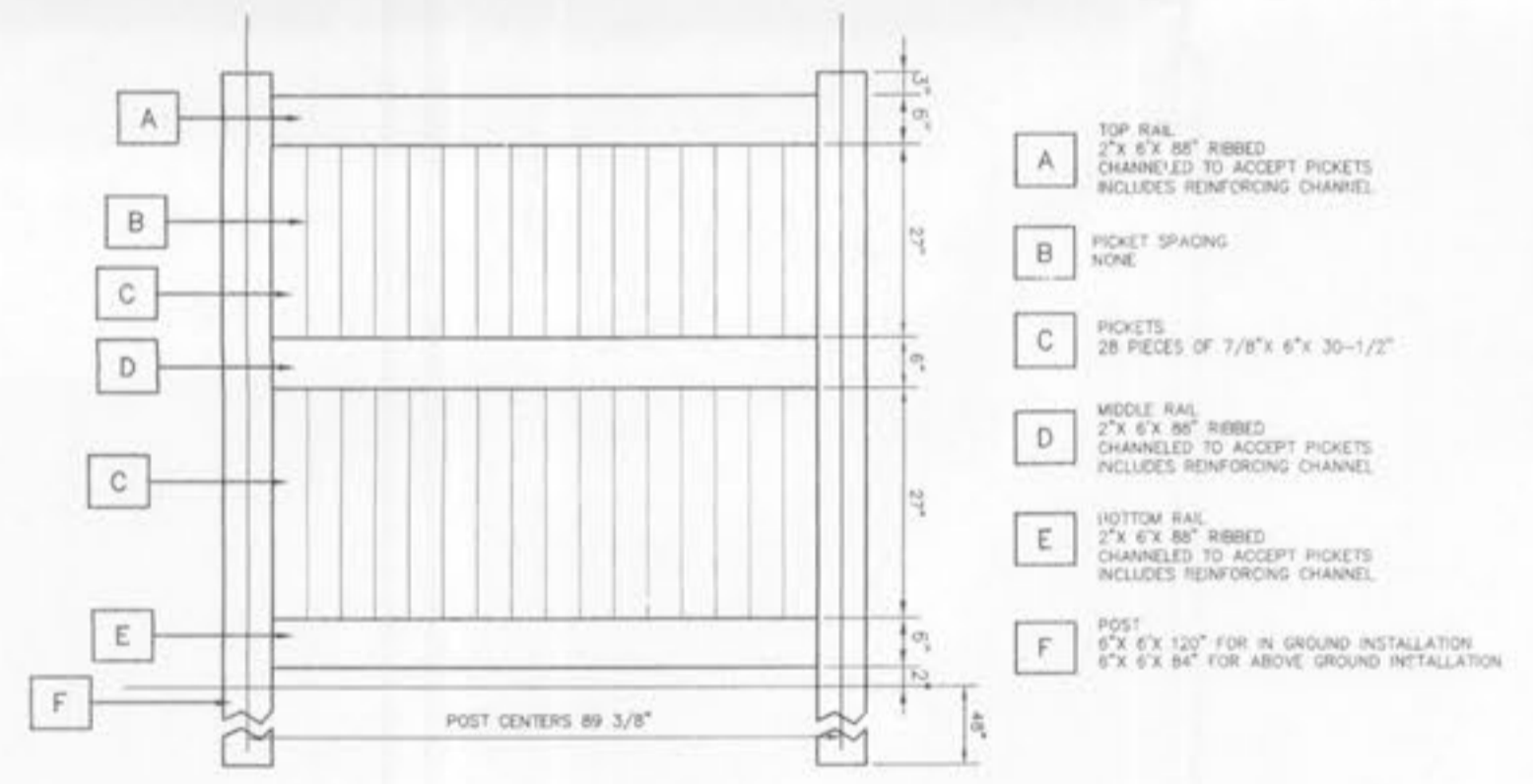
BIKE RACK DETAIL (OR EQUIVALENT)
NOT TO SCALE



1. FILTER BARRIERS SHALL BE INSPECTED IMMEDIATELY AFTER EACH RAINFALL AND AT LEAST DAILY DURING PROLONGED RAINFALL. ANY REQUIRED REPAIRS SHALL BE MADE IMMEDIATELY. THE END OF THE EXPECTED SERVICE LIFE AND THE BARRIER STILL BE NECESSARY, THE FABRIC SHALL BE REPLACED PROMPTLY.
2. SHOULD THE FABRIC BECOME DAMAGED OR WEAR, REPAIRS SHALL BE MADE IMMEDIATELY. THEY MUST BE REPAIRED WHEN DISTURBED TO APPROXIMATELY HALF THE HEIGHT OF THE BARRIER.
3. SOILS SHOULD BE REPAIRED AFTER EACH STORM EVENT.
4. ANY REMOVED DEBRIS REMAINING IN PLACE AFTER THE SILT FENCE OR FILTER BARRIER IS NO LONGER REQUIRED SHALL BE GRESSED TO CONFORM WITH THE EXISTING GRADE, PREPARED AND RESEED.

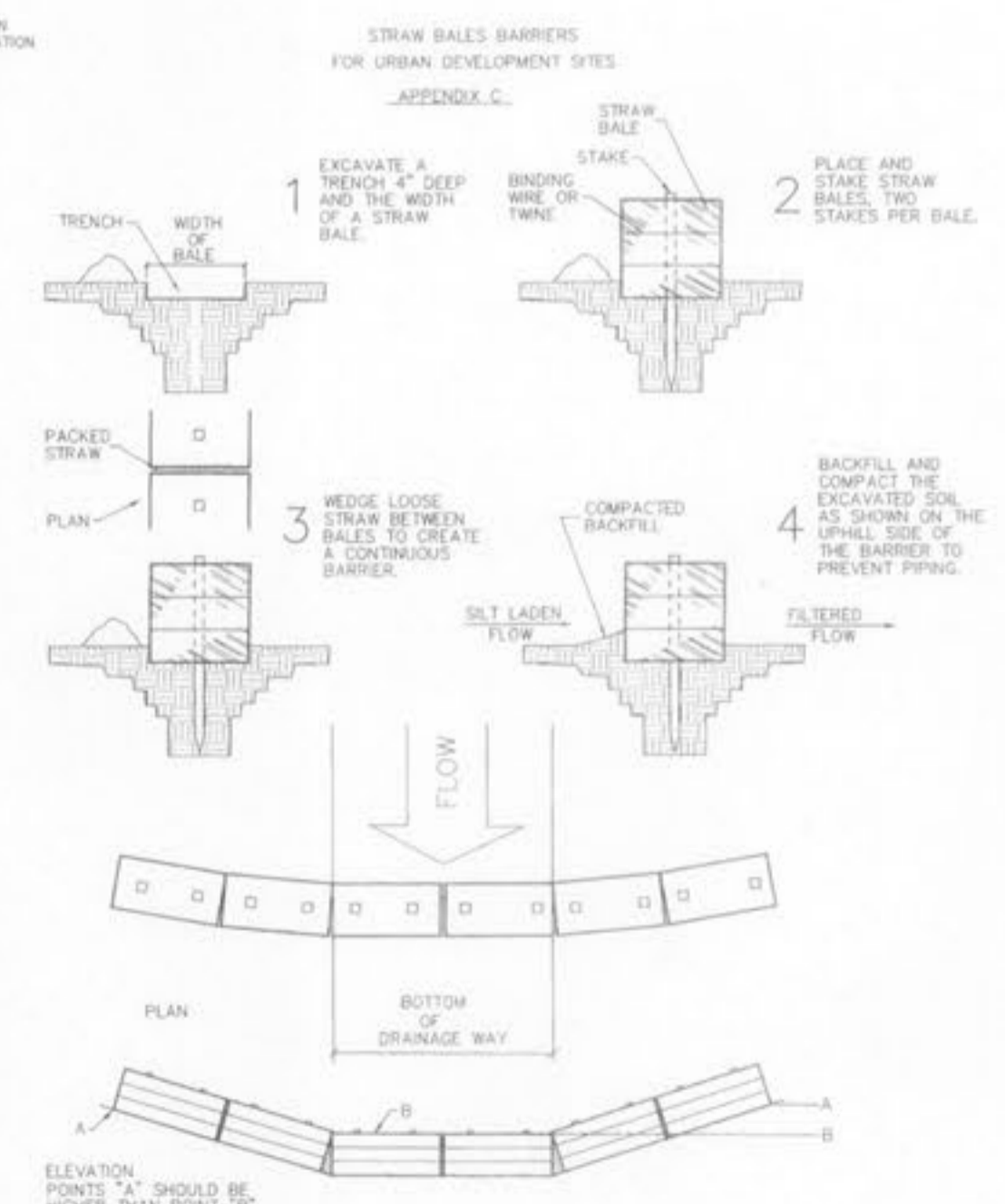


SILTATION FENCE DETAIL



6' HIGH VINYL PRIVACY FENCE
NOT TO SCALE

- A TOP RAIL 2" X 6" X 8" RIBBED CHANNEL TO ACCEPT PICKETS INCLUDES REINFORCING CHANNEL
- B PICKET SPACING NONE
- C PICKETS 28 PIECES OF 1/2" X 6" X 30-1/2"
- D MIDDLE RAIL 2" X 6" X 8" RIBBED CHANNEL TO ACCEPT PICKETS INCLUDES REINFORCING CHANNEL
- E BOTTOM RAIL 2" X 6" X 8" RIBBED CHANNEL TO ACCEPT PICKETS INCLUDES REINFORCING CHANNEL
- F POST 6" X 6" X 12" FOR IN-GROUND INSTALLATION 6" X 6" X 8" FOR ABOVE-GROUND INSTALLATION



PLACEMENT AND CONSTRUCTION OF STRAW BAIL BARRIER

UNDERGROUND UTILITIES HAVE BEEN PLOTTED FROM AVAILABLE INFORMATION AND THEREFORE THEIR LOCATIONS SHALL BE CONSIDERED APPROXIMATE ONLY. THE VERIFICATION OF THE LOCATION OF ALL UNDERGROUND UTILITIES, EITHER SHOWN OR NOT SHOWN ON THESE PLANS, SHALL BE THE RESPONSIBILITY OF THE CONTRACTOR AND SHALL BE LOCATED PRIOR TO ANY GRADING OR CONSTRUCTION OF THE IMPROVEMENTS.