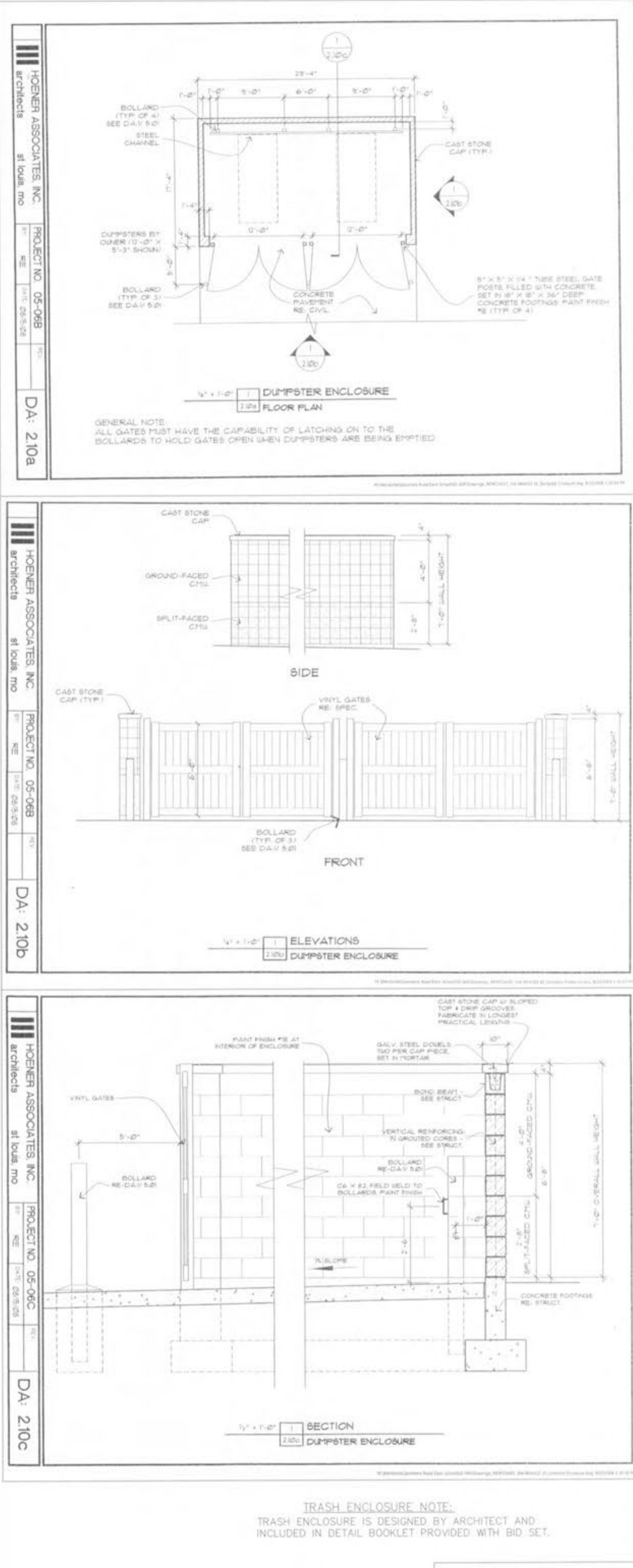
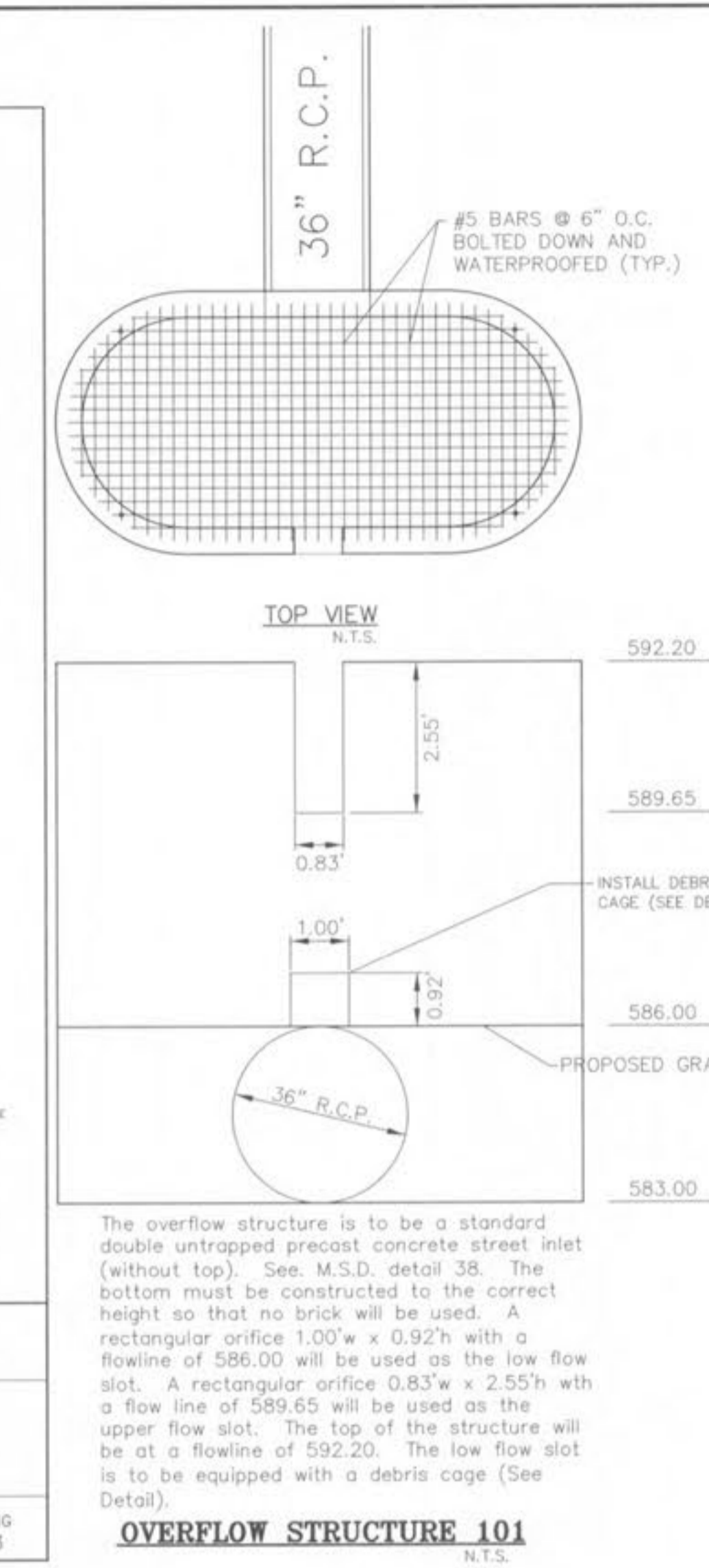
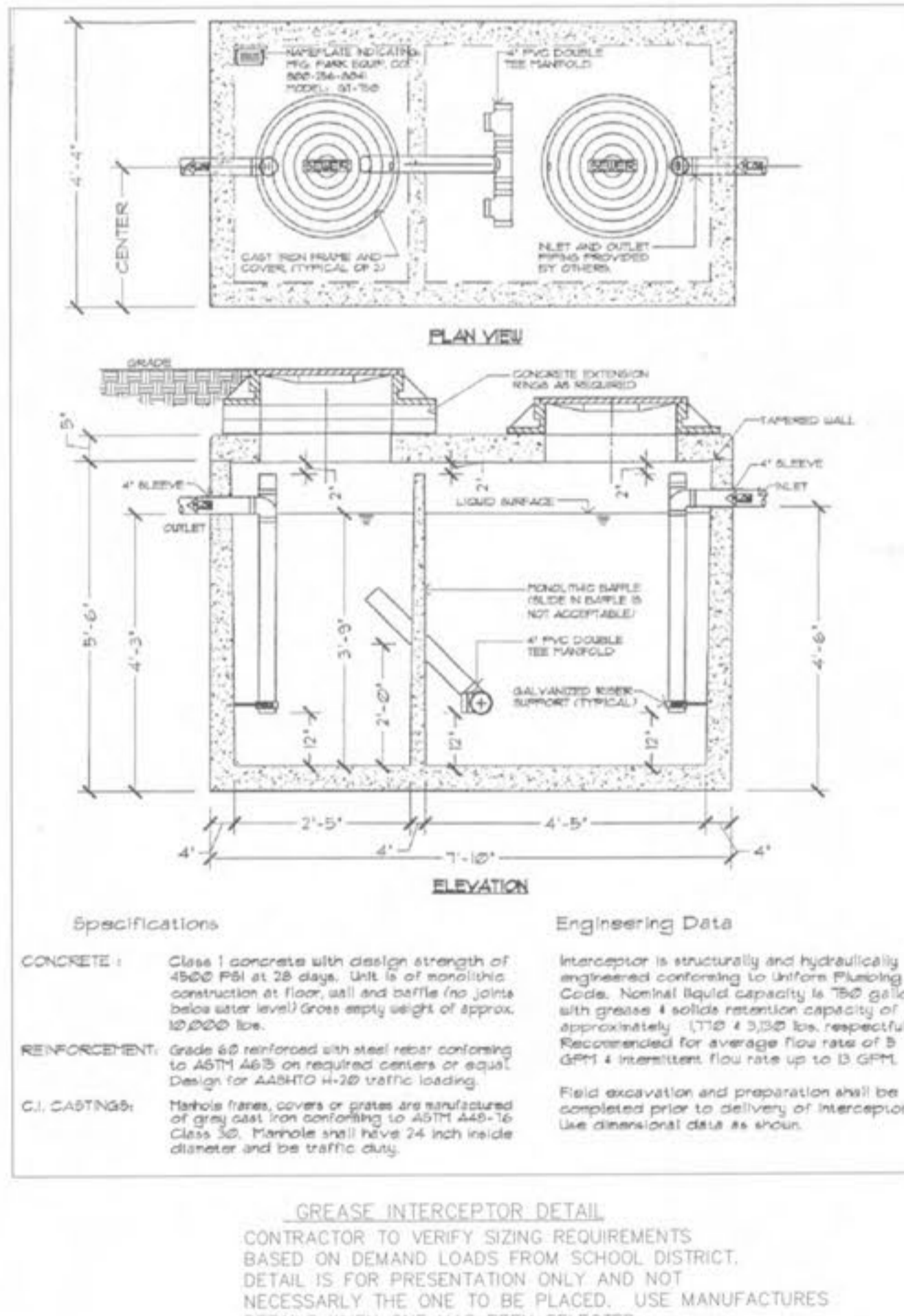
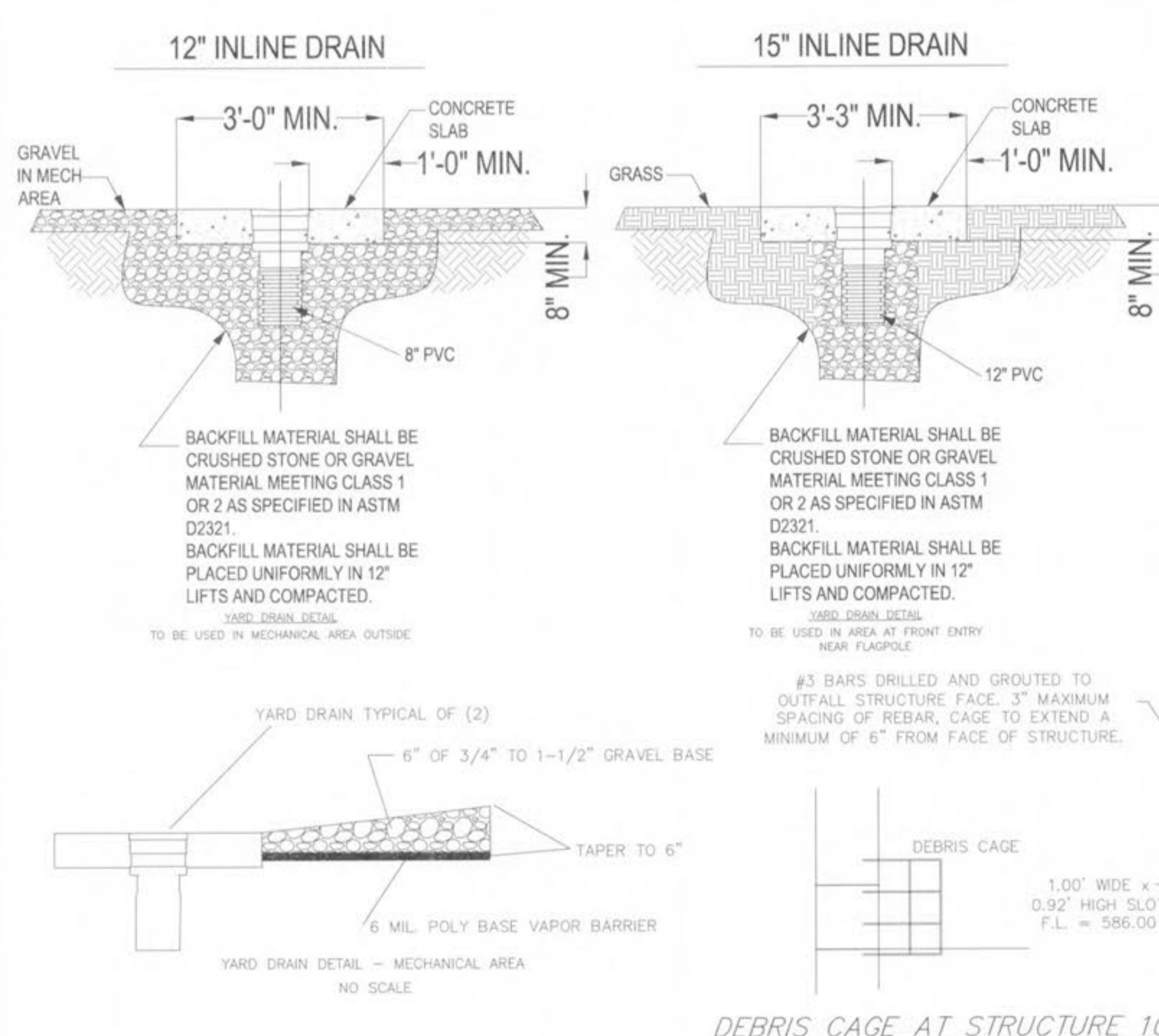


SAINT CHARLES COUNTY HIGHWAY DEPARTMENT ST. CHARLES, MISSOURI	
GUARDRAIL TYPE A & D	
DATE: December, 2000	DRAWING: 606.03



STATE OF MISSOURI
Professional Engineer
Michael J. Mann
 License No. 000000000
 E-288239

HOENER ASSOCIATES, INC.
 ARCHITECTS
 ST. LOUIS, MISSOURI

SOMMERS ROAD ELEMENTARY SCHOOL - PHASE 1, 1.5 AND 2
 2523 SOMMERS ROAD
 WENTZVILLE R-IV SCHOOL DISTRICT
 OF ALLON, MISSOURI

CONSULTING ENGINEERS:
 ABS CONSULTING, INC.
 MECHANICAL/ELECTRICAL/PLUMBING ENGINEERING ASSOCIATION
 BAX ENGINEERING
 DENNIS G. GLORE, INC.

job no. 05-06B
 date issued
 AUG. 15, 2008
 date revised
 10-24-08 CITY COMMENTS
 12-4-08 CITY COMMENTS
 12-24-08 CITY COMMENTS

drawn by SWR
 checked by SWR
 sheet no.

C26.0

JULY 17, 2008 CITY FILE #3407.03

BAWF 03-12495A