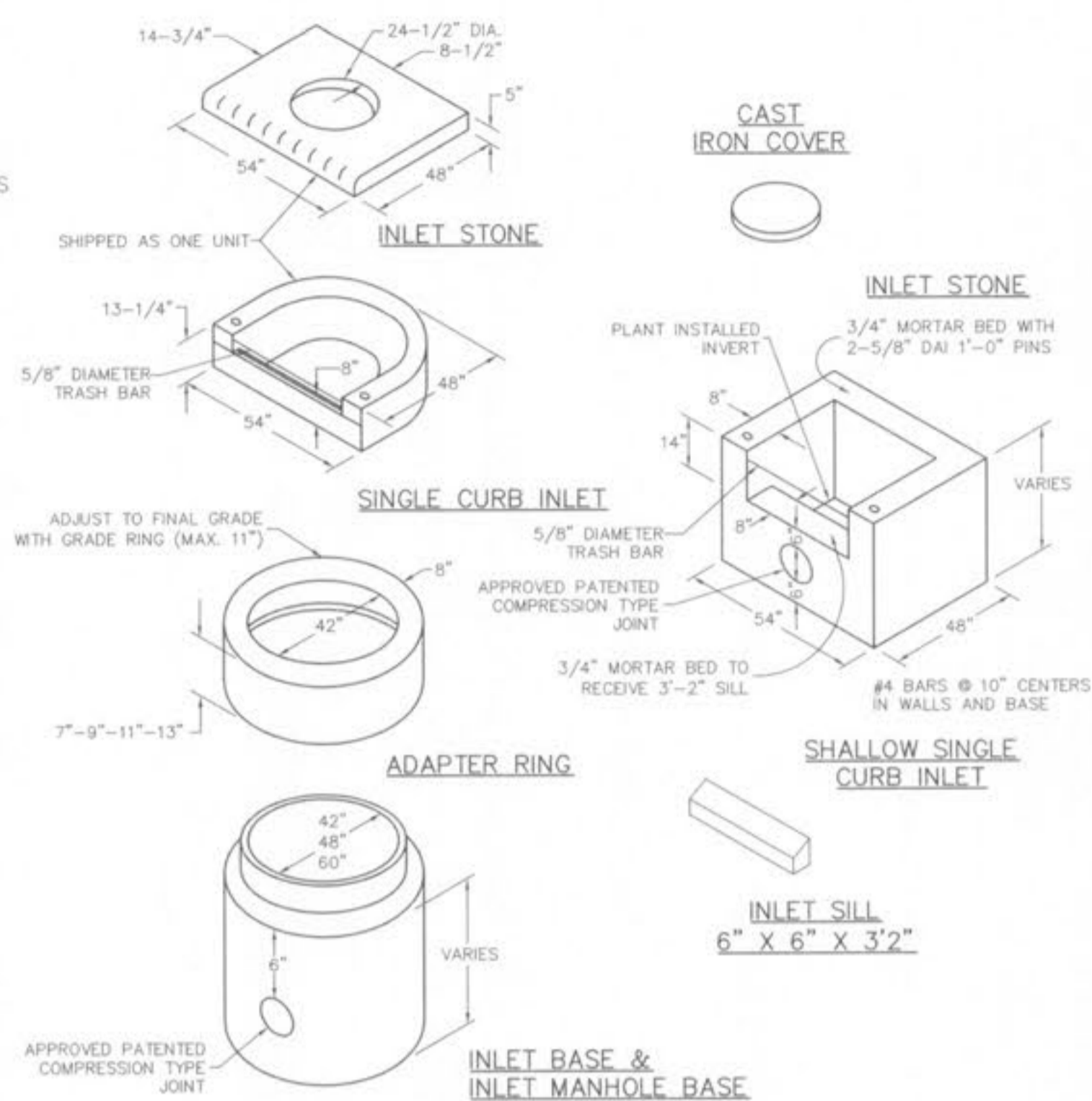


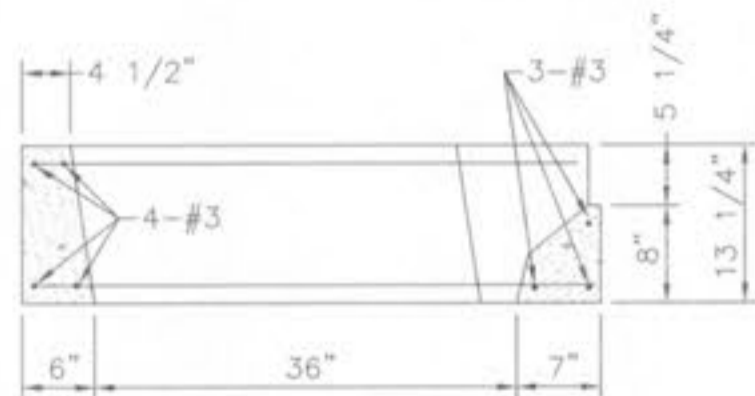
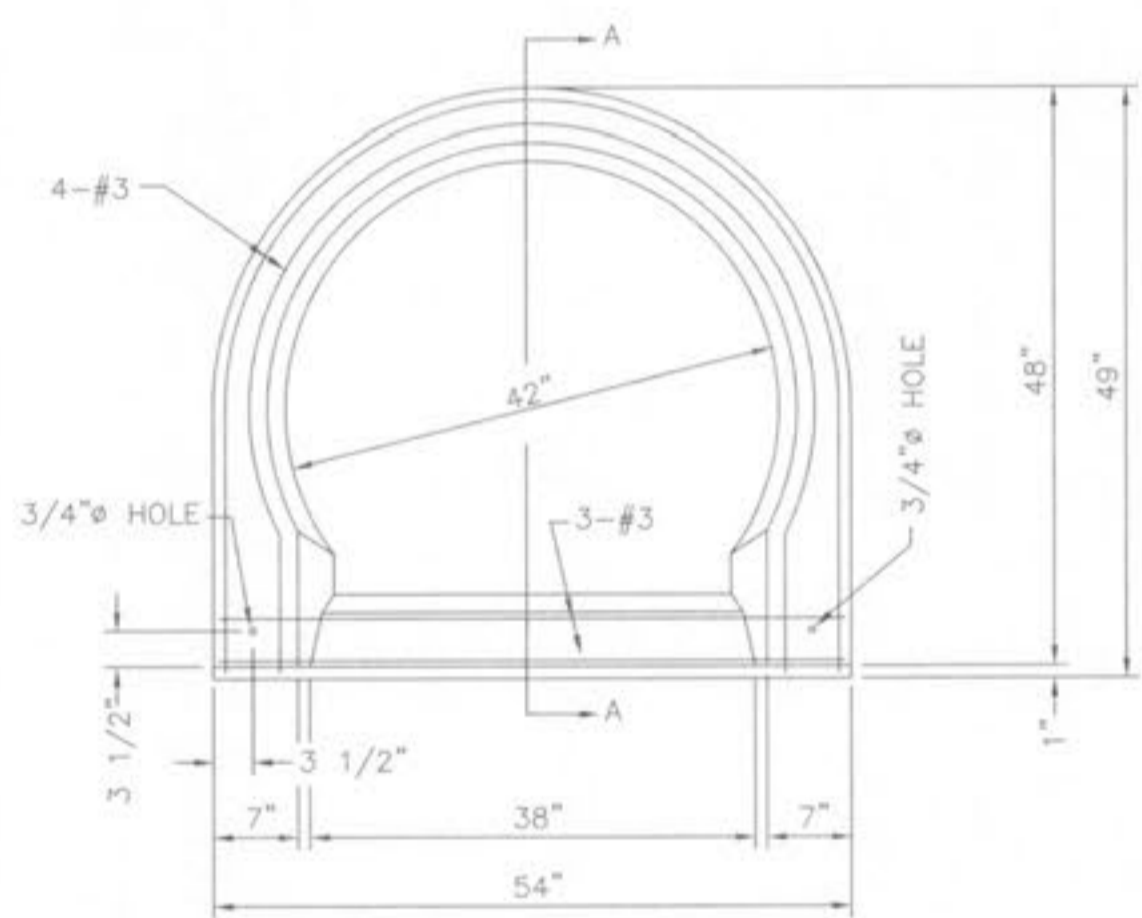
**AREA INLET
(12" THRU 24")**

NOTE: INLETS SHALL HAVE A 5/8" TRASH BAR INSTALLED.



**SINGLE STREET INLETS
PRECAST CONCRETE**

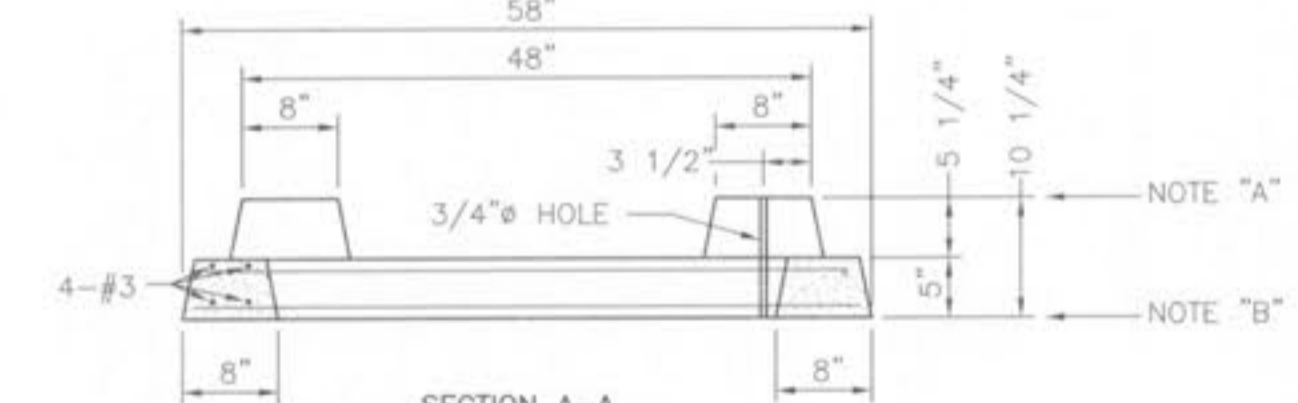
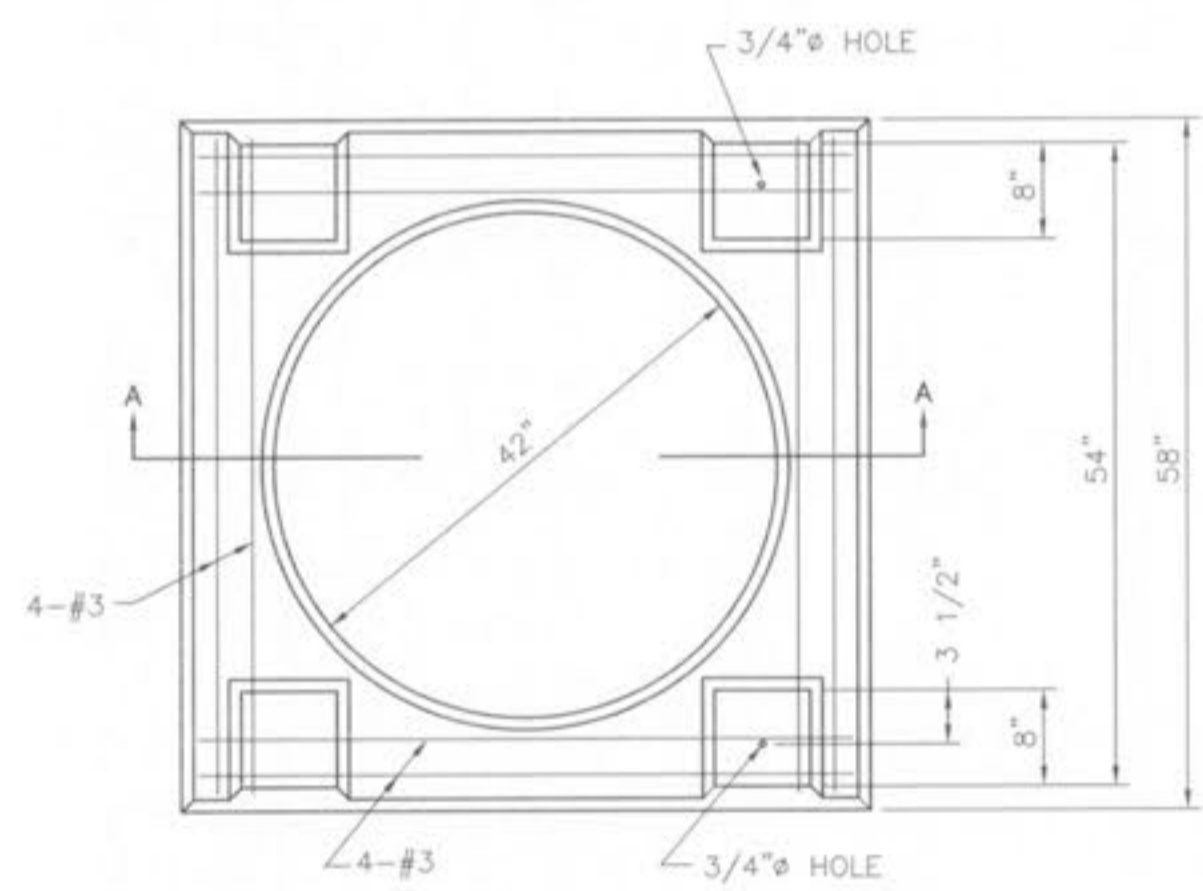
NOT TO SCALE



SECTION A-A

**PRECAST CONCRETE UNIT
FOR
SINGLE CURB INLET**

- NOTES:
- SET STANDARD INLET STONE IN 3/4" MORTAR BED AND DOWEL WITH 5/8" 1'-0" LONG PINS AND GROUT.
 - RAISE TO FINAL GRADE WITH GRADE RINGS.
 - THIS UNIT TO BE USED WITH, 42" I.D., POURED IN PLACE CONCRETE.
 - 4000 P.S.I. CONCRETE REQ'D.
 - PROVIDE 5/8" # TRASH BAR.

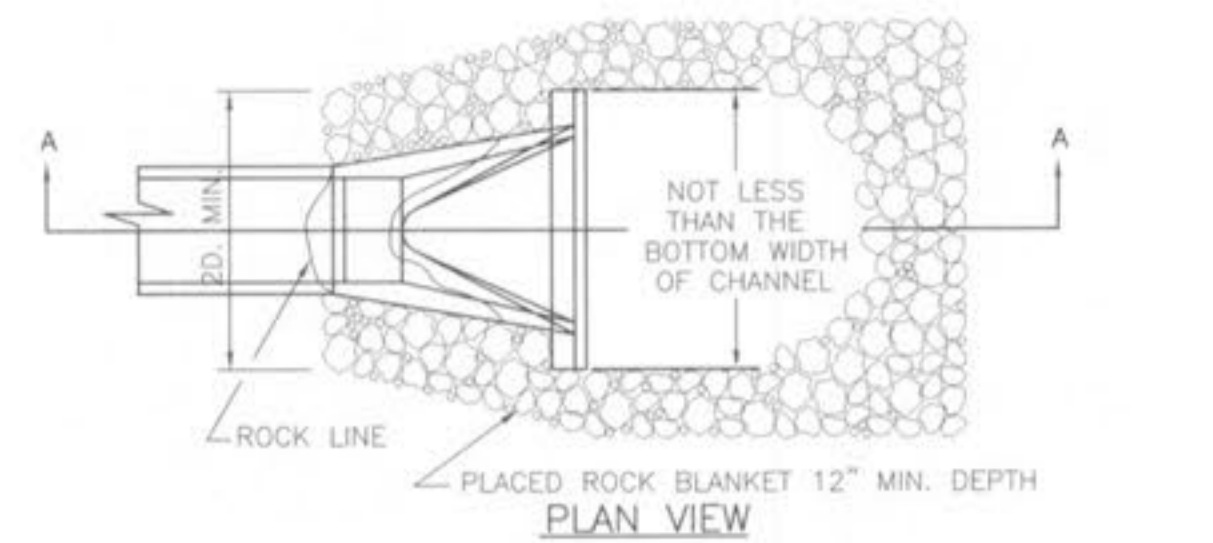


SECTION A-A

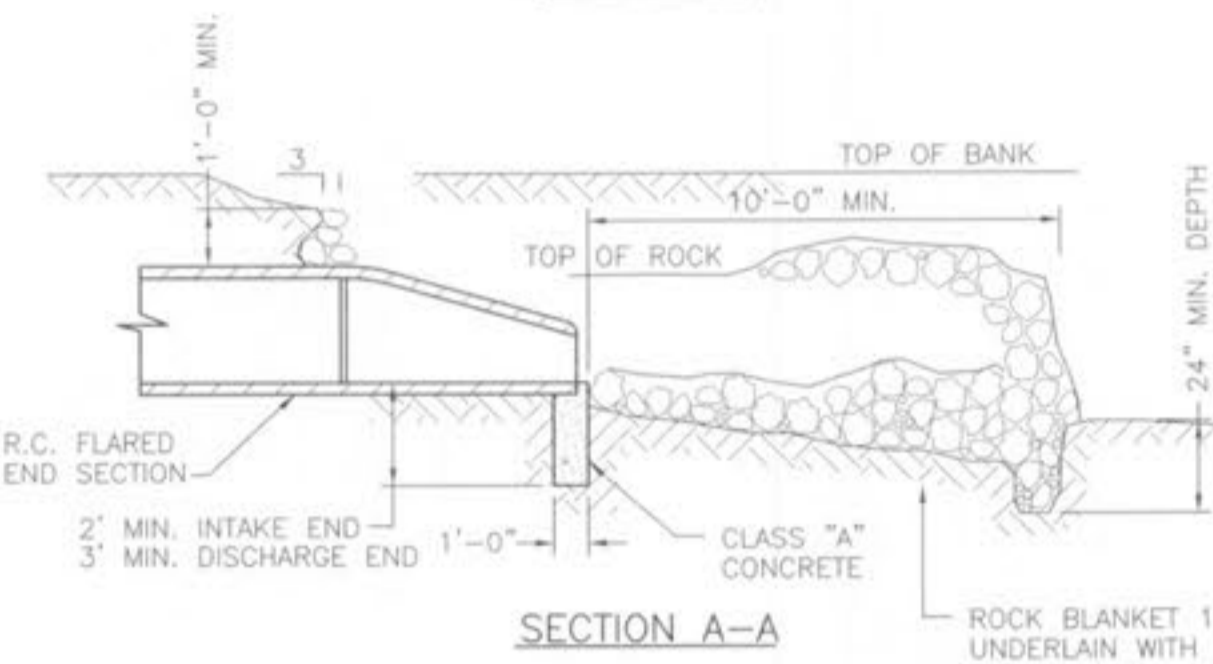
**PRECAST CONCRETE UNIT
FOR
4-WAY AREA INLET**

- NOTES:
- SET STANDARD INLET STONE IN 3/4" MORTAR BED AND DOWEL WITH 5/8" 1'-0" LONG PINS AND GROUT.
 - RAISE TO FINAL GRADE WITH GRADE RINGS.
 - THIS UNIT TO BE USED WITH, 42" I.D., POURED IN PLACE CONCRETE.
 - PROVIDE 5/8" # TRASH BAR ON ALL OPEN SIDES.

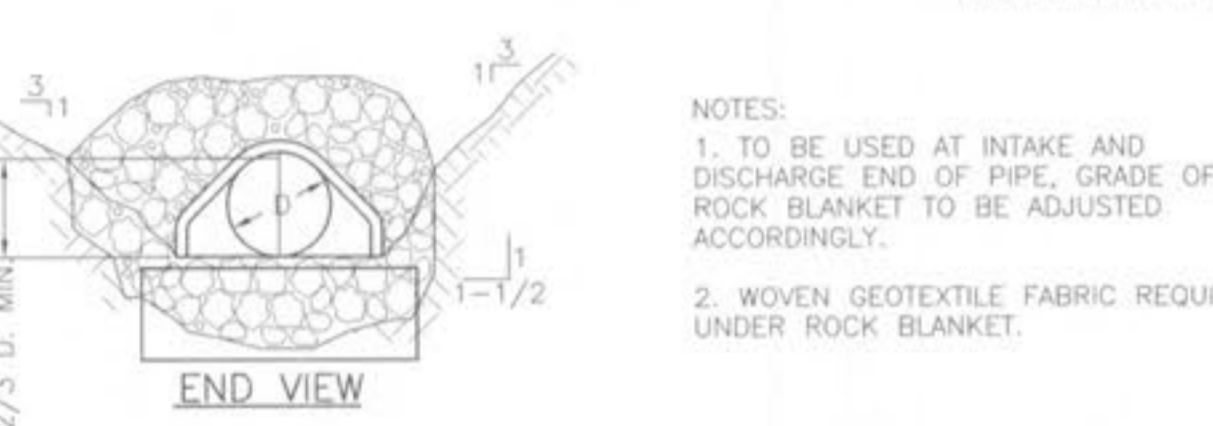
4000 P.S.I. CONCRETE REQUIRED



PLAN VIEW



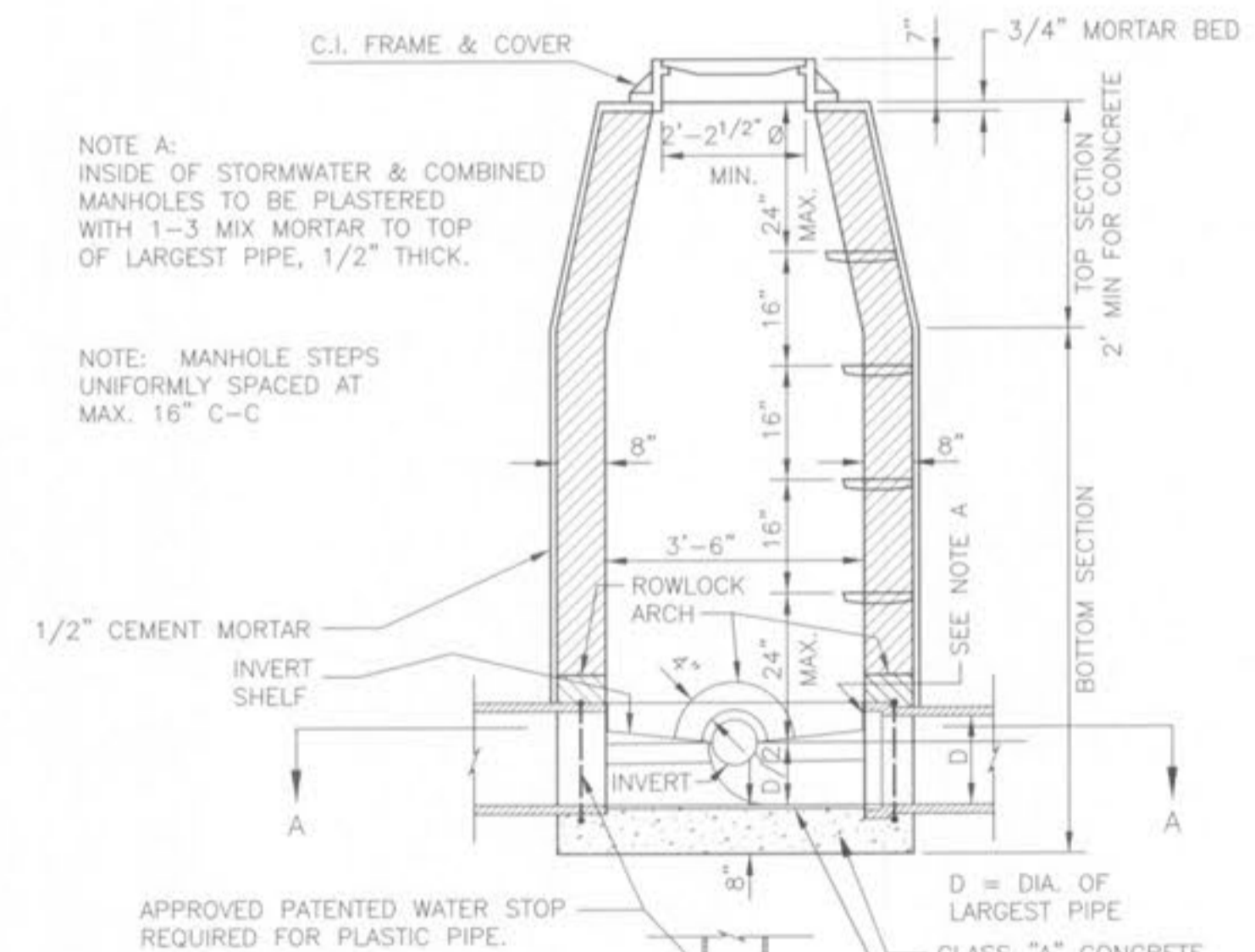
SECTION A-A



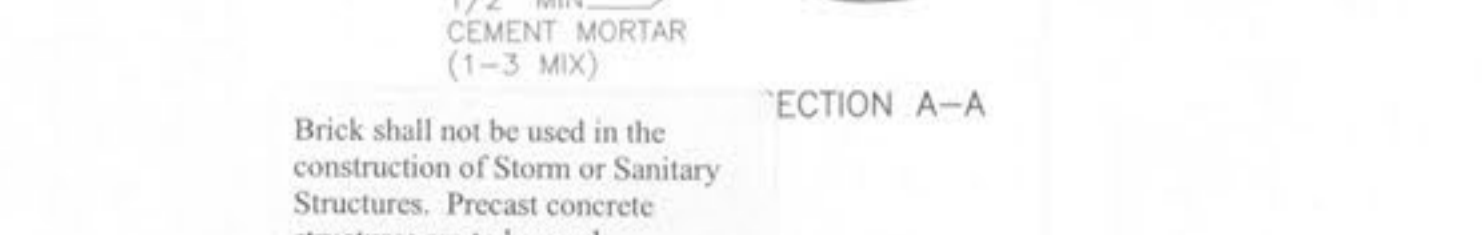
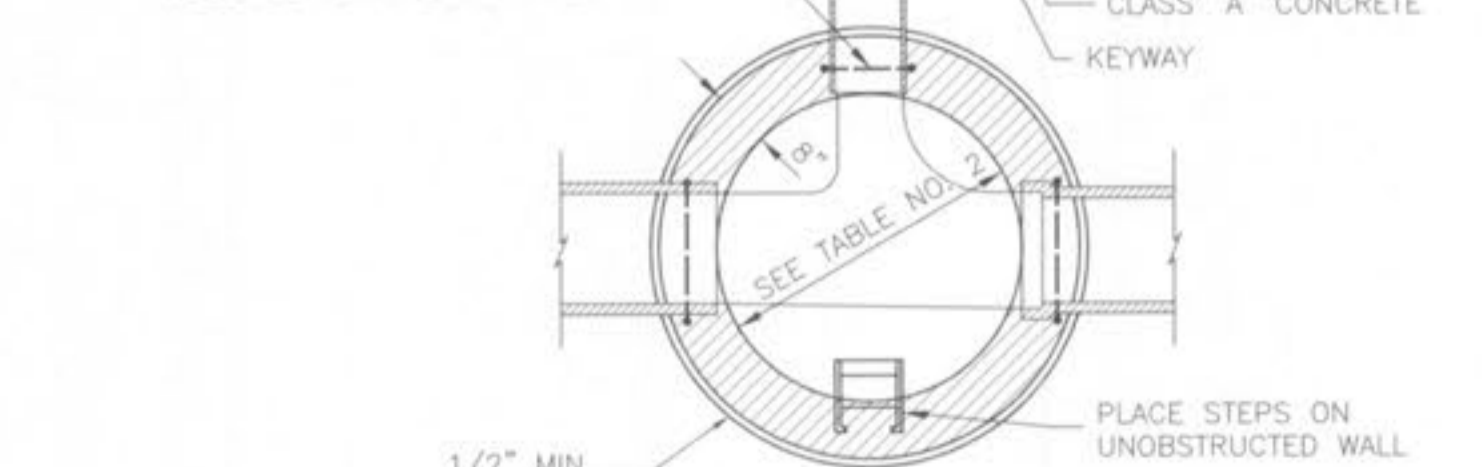
END VIEW

- NOTES:
- TO BE USED AT INTAKE AND DISCHARGE END OF PIPE. GRADE OF ROCK BLANKET TO BE ADJUSTED ACCORDINGLY.
 - WOVEN GEOTEXTILE FABRIC REQUIRED UNDER ROCK BLANKET.

FLARED END SECTION



- NOTE A: INSIDE OF STORMWATER & COMBINED MANHOLES TO BE PLASTERED WITH 1-3 MIX MORTAR TO TOP OF LARGEST PIPE, 1/2" THICK.
- NOTE: MANHOLE STEPS UNIFORMLY SPACED AT MAX. 16" C-C

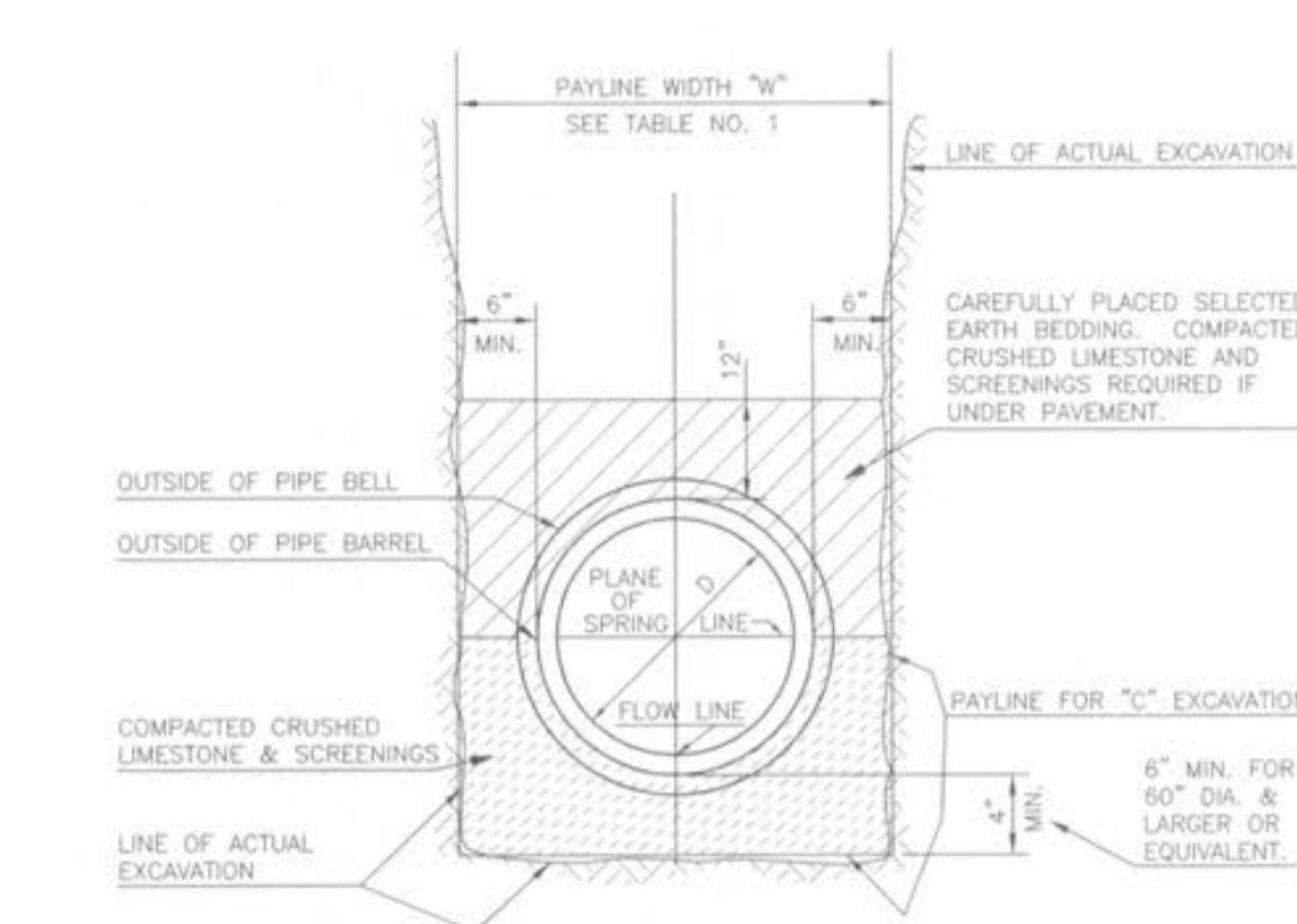


1/2" MIN. CEMENT MORTAR (1-3 MIX)

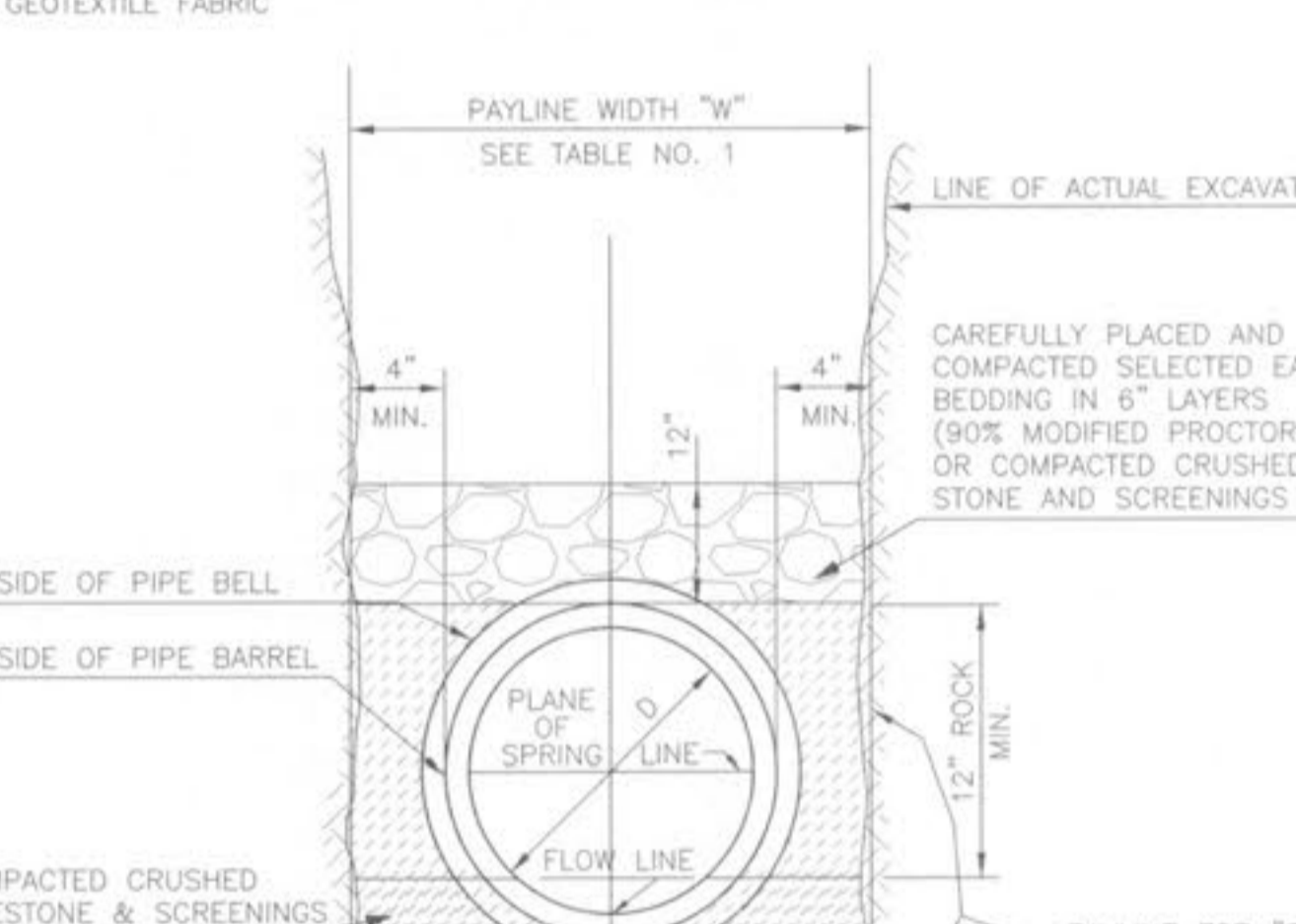
Brick shall not be used in the construction of Storm or Sanitary Structures. Precast concrete structures are to be used.

**NE MANHOLE
PIPE SEWERS 8"-24" DIA.**

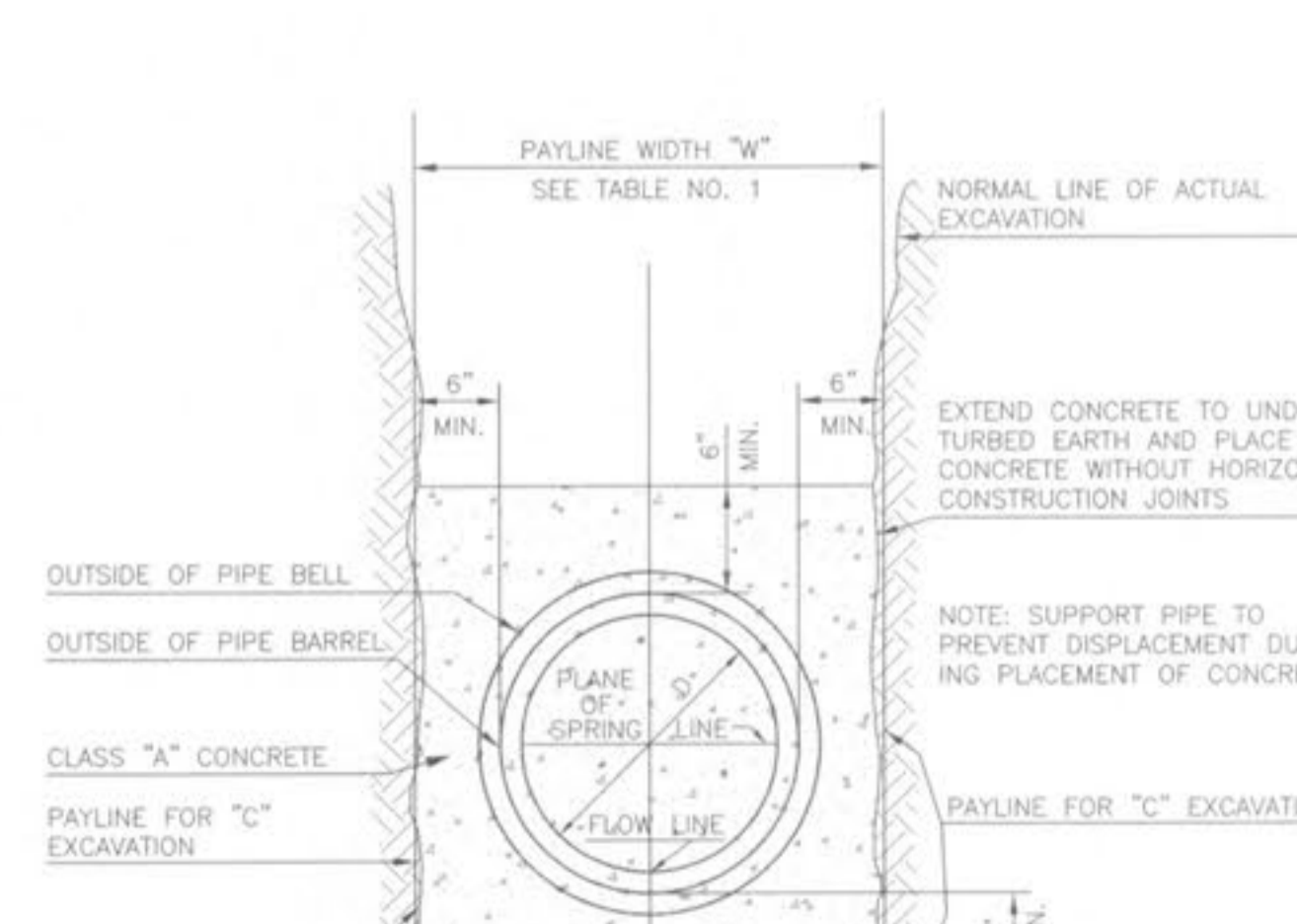
ALL SANITARY MANHOLES TO HAVE 31 MIL WATERPROOFING AND HAVE 0.2" DROP THROUGH THE STRUCTURE



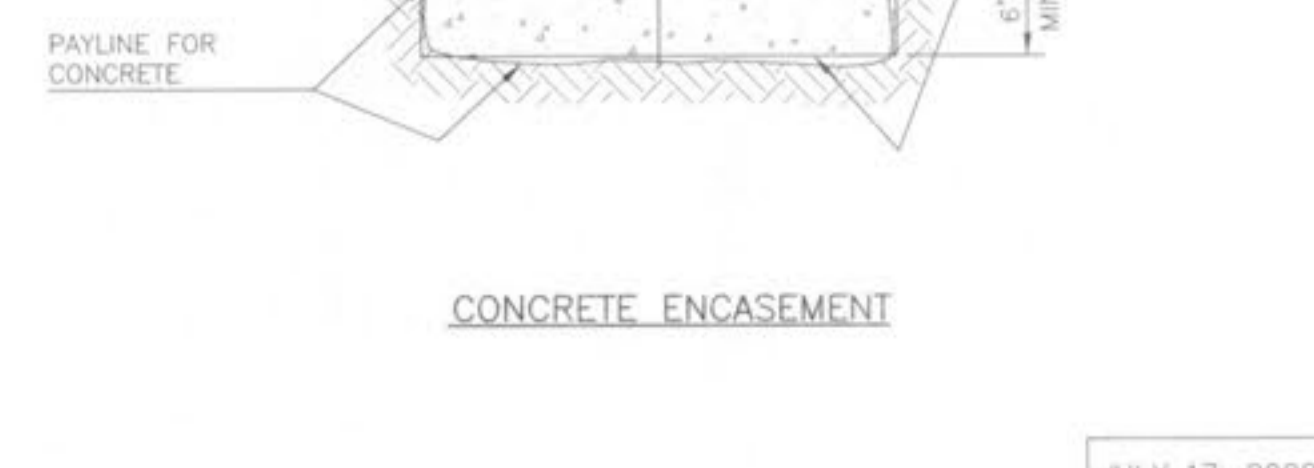
**O'FALLON DETAIL
PIPE BEDDING CLASS "C"
(MODIFIED FOR REINFORCED
CONCRETE PIPE)**



**PIPE BEDDING CLASS "C"
(FOR ALL PIPE EXCEPT
REINFORCED CONCRETE PIPE)**



CONCRETE ENCASUREMENT



SOMMERS ROAD ELEMENTARY SCHOOL - PHASE 1, 15 AND 2
2523 SOMMERS ROAD
O'FALLON, MISSOURI

WENTZVILLE, R-IV SCHOOL DISTRICT

CONSULTING ENGINEERS:
HOENER ASSOCIATES, INC.
ARCHITECTS
ST. LOUIS, MISSOURI

ENGINEERING:
221 Third Fed. Bld.
St. Charles, Mo. 63301
636-629-5522
STRUCTURAL
MECH/ELECT/PLUMB
STARTING
DENNIS G. GLORE, INC.
FOOD SERVICE

ALL DIMENSIONS MUST BE VERIFIED AT BUILDING BEFORE WORK IS EXECUTED. THIS DRAWING IS THE PROPERTY OF THE ARCHITECTS AND SHALL NOT BE COPIED OR DUPLICATED WITHOUT THEIR CONSENT.

job no. 05-06B
date issued
AUG. 15, 2008
date revised
10-24-08 CITY COMMENTS
12-4-08 CITY COMMENTS
12-24-08 CITY COMMENTS

drawn by SWR
checked by SWR
sheet no.

C30.0

JULY 17, 2008 CITY FILE #3407.03