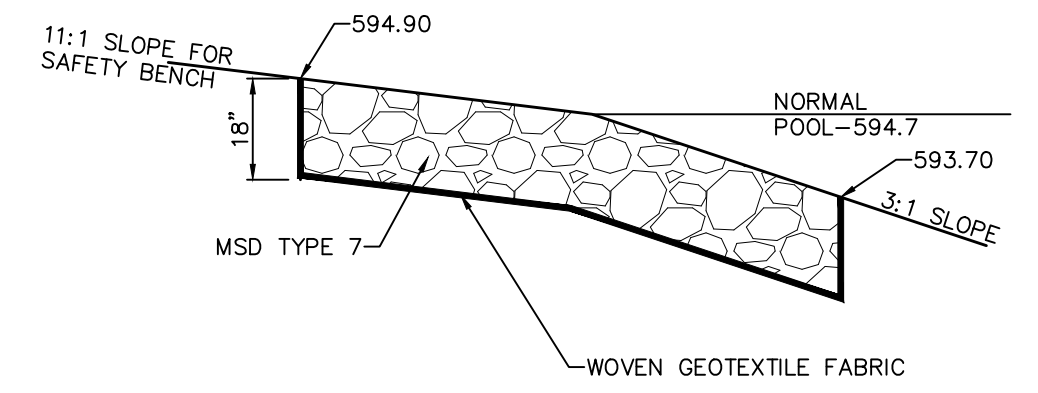
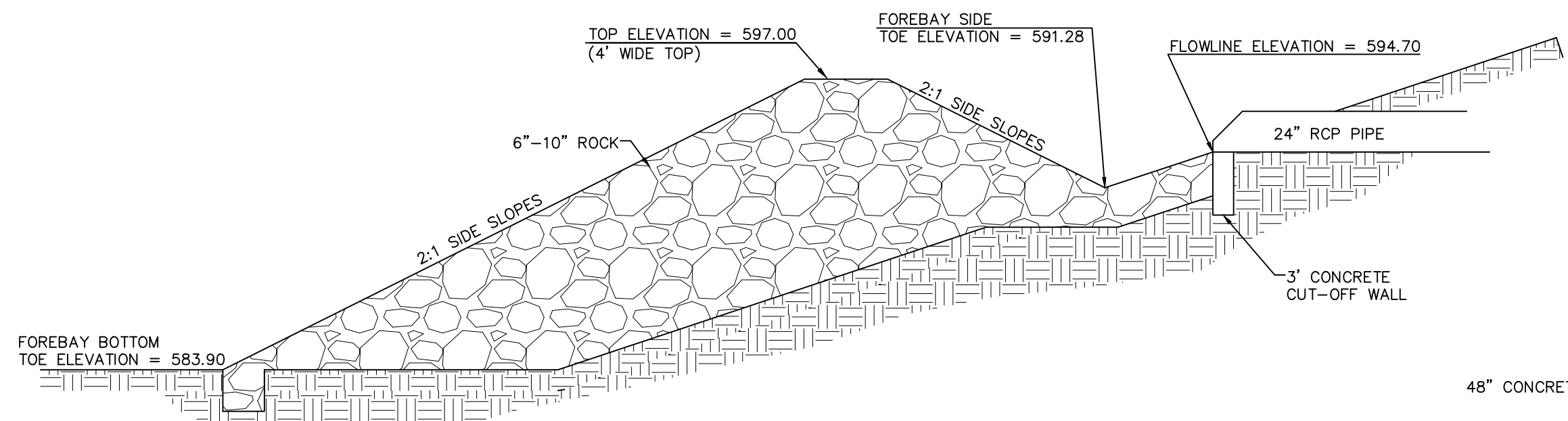


Upp Str	Low Str	PL	S	Upp FL LN	Low FL LN	PS	Upp ST EL	Depth HY GR	Upp HY EL	Low HY EL	Hyd Grade	FR Head	VEL Head	Junc Loss	Turn Loss	Curve Loss	STR Grade	Inl Cap	DR Area	P.I.	Q	TQ	Pipe Cap	Remarks		
1	AI10	AI5A	259	12	602.50	599.91	1.00	606.50	3.51	602.98*	600.91	0.00240	0.62	2.20	0.08	0.08	0.00	0.00	4S	11.00	0.67	2.58	1.73	1.73	3.56	
2	AI9	CI8	106	12	607.60	606.54	1.00	611.60	3.42	608.18*	607.54	0.00410	0.44	2.89	0.13	0.13	0.00	0.00	4S	11.00	0.89	2.58	2.27	2.27	3.56	
3	CI8	CI7	35	12	606.34	605.99	1.00	612.98	5.70	607.28	606.99	0.00820	0.29	4.10	0.26	0.00	0.00	2.0%	1.84	0.37	2.58	0.95	3.22	3.56		
4	CI7	AI6	101	15	605.79	604.78	1.00	612.98	6.47	606.52*	606.03	0.00430	0.44	3.45	0.18	0.00	0.01	0.00	2.0%	1.64	0.39	2.58	1.01	4.23	6.46	
5	AI6	AI5A	269	15	604.58	599.41	1.92	611.70	6.36	605.34*	600.74	0.00840	2.53	5.11	0.41	0.00	0.12	0.00	4S	11.00	0.79	2.58	2.04	6.27	8.95	
6	AI5A	AI5	91	18	599.21	598.30	1.00	606.30	5.56	600.74	599.80	0.00830	0.75	5.42	0.46	0.19	0.00	0.00	4S	11.00	0.61	2.58	1.57	9.57	10.50	
7	AI5	CI4	84	18	598.10	596.44	1.77	604.80	5.50	599.10	597.94	0.00840	0.88	5.76	0.52	0.00	0.28	0.00	4S	11.00	0.29	2.14	0.60	10.17	13.98	
8	CI4	FE3	181	24	596.24	584.70	0.85	603.75	6.34	597.41	596.53	0.00320	0.58	4.04	0.25	0.00	0.30	0.00	LOW	3.40	0.98	2.58	2.53	12.70	20.86	100 LFB=596.53
9	OS2	FE1	75	24	590.55	583.84	9.00	596.20	4.83	591.27*	585.84	0.00680	0.51	5.93	0.55	0.55	0.00	0.00	OS	0.00	2.33	2.14	5.92	18.62	67.87	ITP=585.84

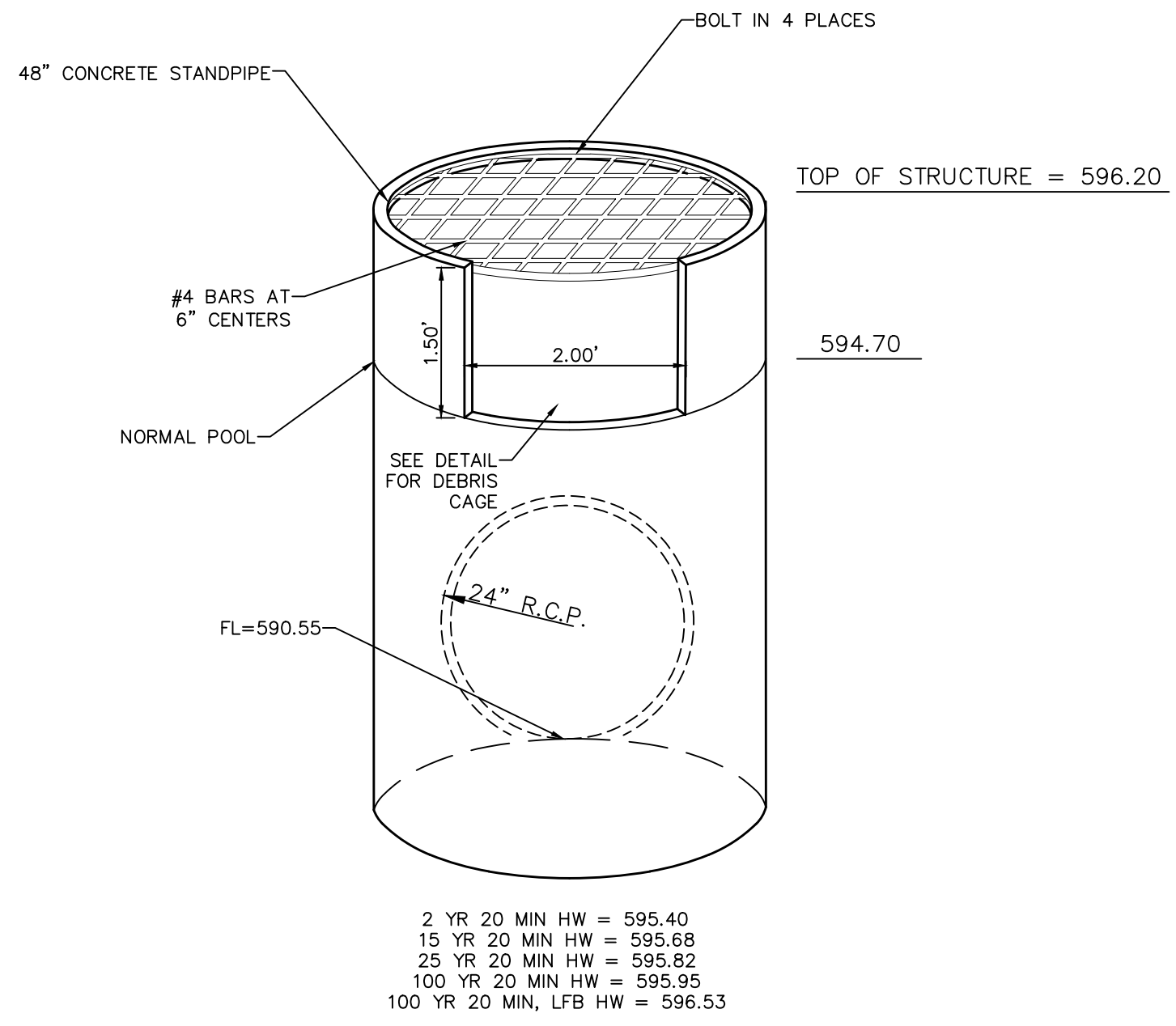
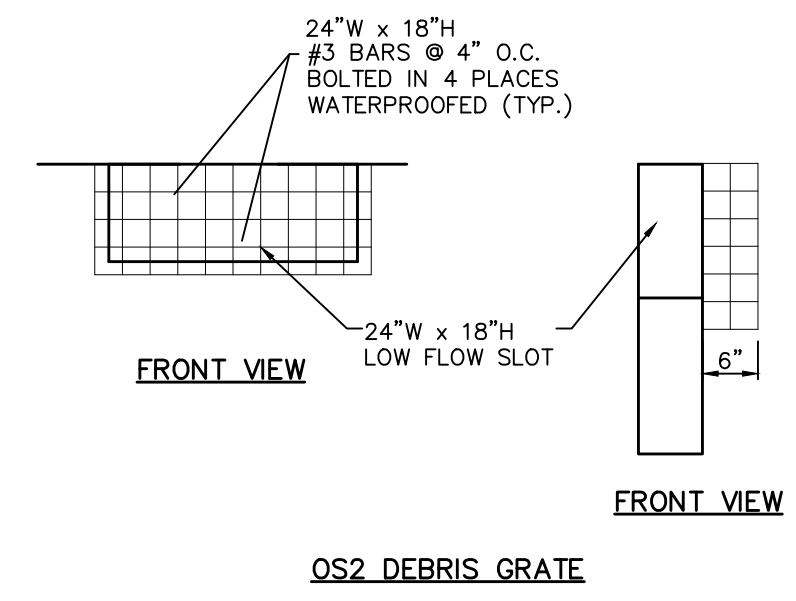


WET POND PERIMETER RIPRAP
NOT TO SCALE

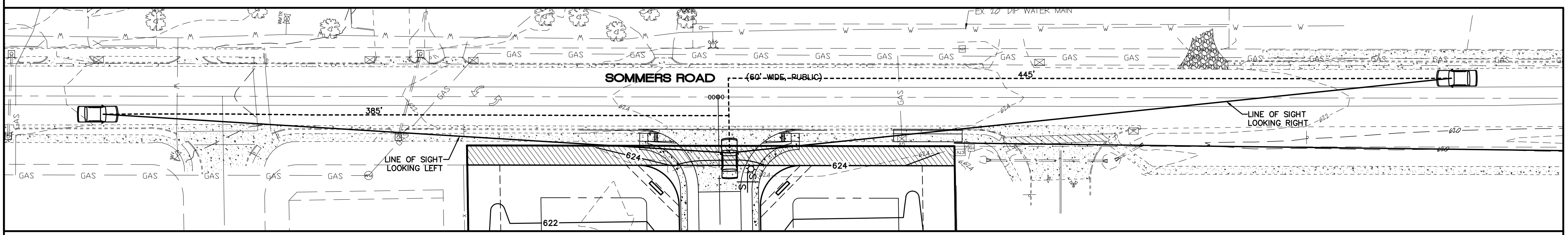
PERIMETER RIPRAP TO EXTEND
3 FEET HORIZONTALLY ON BOTH
SIDES OF NORMAL POOL



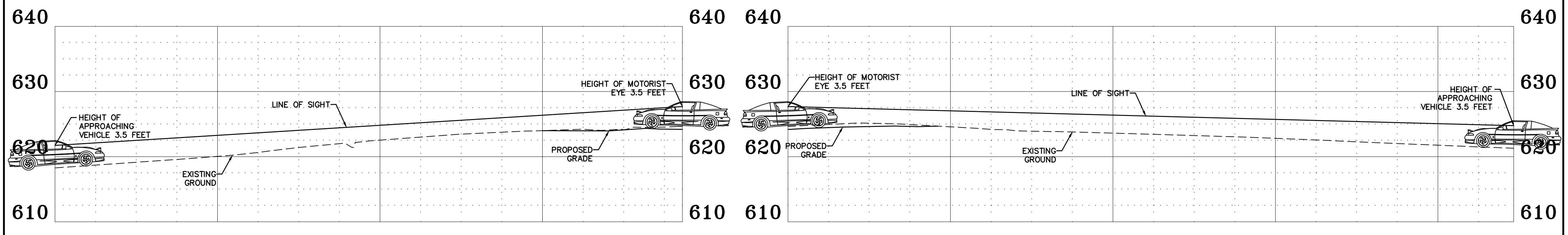
WET POND FE 3 ROCK FOREBAY DETAIL
NOT TO SCALE



OVERFLOW STRUCTURE WET POND OS 2
N.T.S.



LINE OF SIGHT: PLAN/PROFILES
SCALE: 1" = 40'

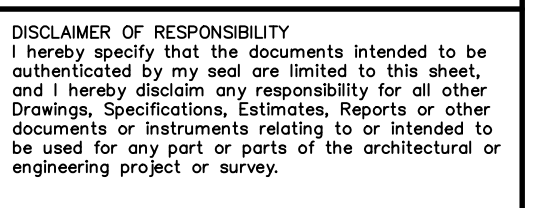


LINE OF SIGHT TO THE LEFT

LINE OF SIGHT TO THE RIGHT

PROJECT TITLE:
**SOMMERSET
ESTATES**
Issue Date: 07/26/2021

ENGINEERING
PLANNING
SURVEYING
221 Point West Blvd.
St. Charles, MO 63301
636-928-6562
FAX 636-928-1718



DISCLAIMER OF RESPONSIBILITY
I hereby specify that the documents intended to be
authentic and true to the best of my knowledge and
belief, and I hereby disclaim any responsibility for all other
Drawings, Specifications, Estimates, Reports or other
documents or instruments relating to or intended to be
used for any part or parts of the architectural or
engineering project or survey.

STATE OF MISSOURI
JEFFREY B. SIMMONS
NUMBER
2007030831
PROFESSIONAL ENGINEER
10/11/21

JEFFREY B. SIMMONS
CIVIL ENGINEER
2007030831

REVISIONS

DATE	BY	DESCRIPTION
09/02/21	PWSD#2 & DUCKETT	COMMENTS
09/10/21	PWSD#2	COMMENTS
09/27/21	CITY	COMMENTS
10/11/21	CITY	COMMENTS

Developer / Owner:
KAPB, L.L.C.
410 Crestview Drive
O'Fallon, MO 63366
636-272-4200

STORM SEWER PROFILE, LINE OF SIGHT
PLAN/PROFILES, HYDRAULICS AND DETAILS

P+Z No. #21-003778
Approval Date: 09/23/2021
City No. RSP21-000005

Page No.
12 of 23