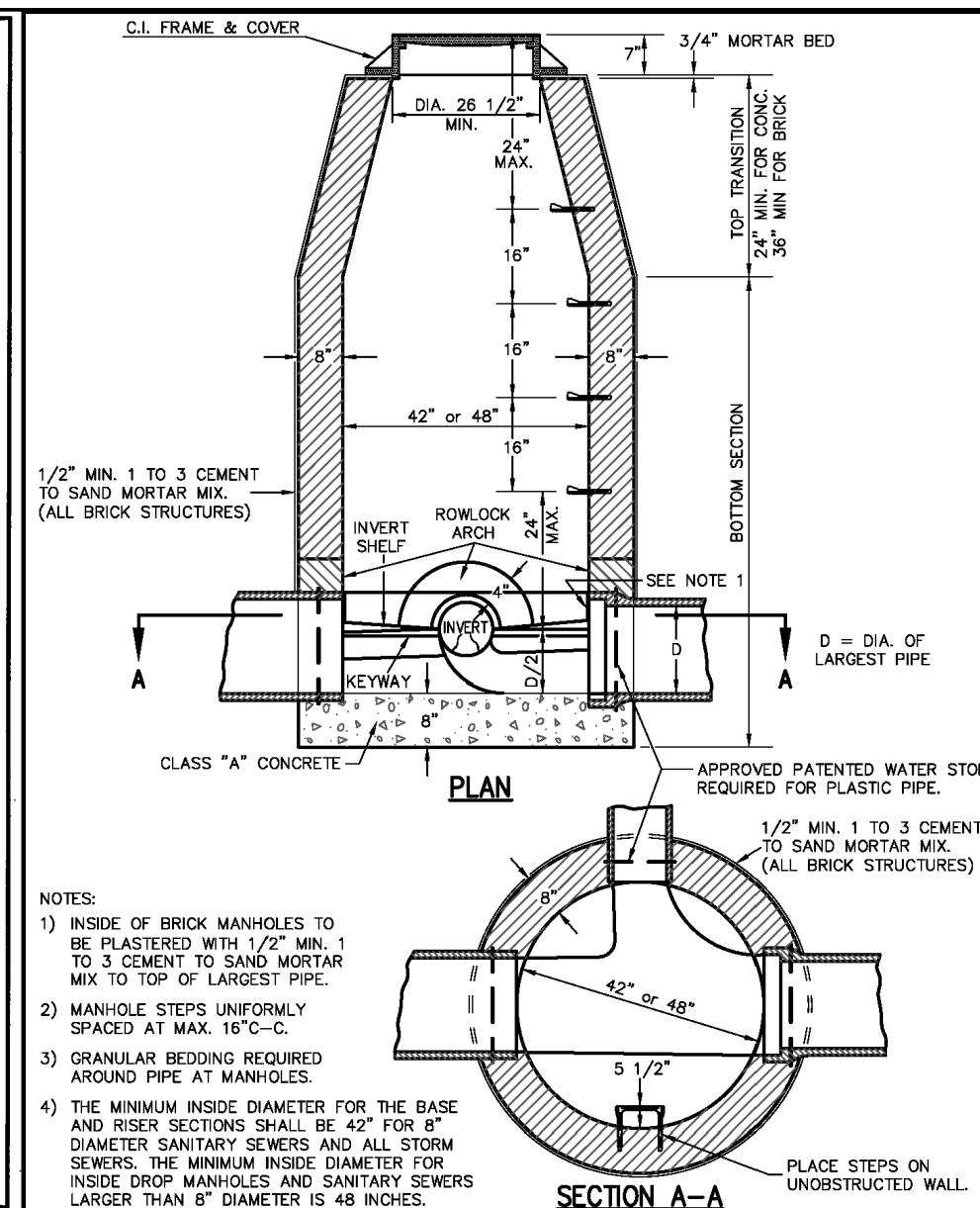
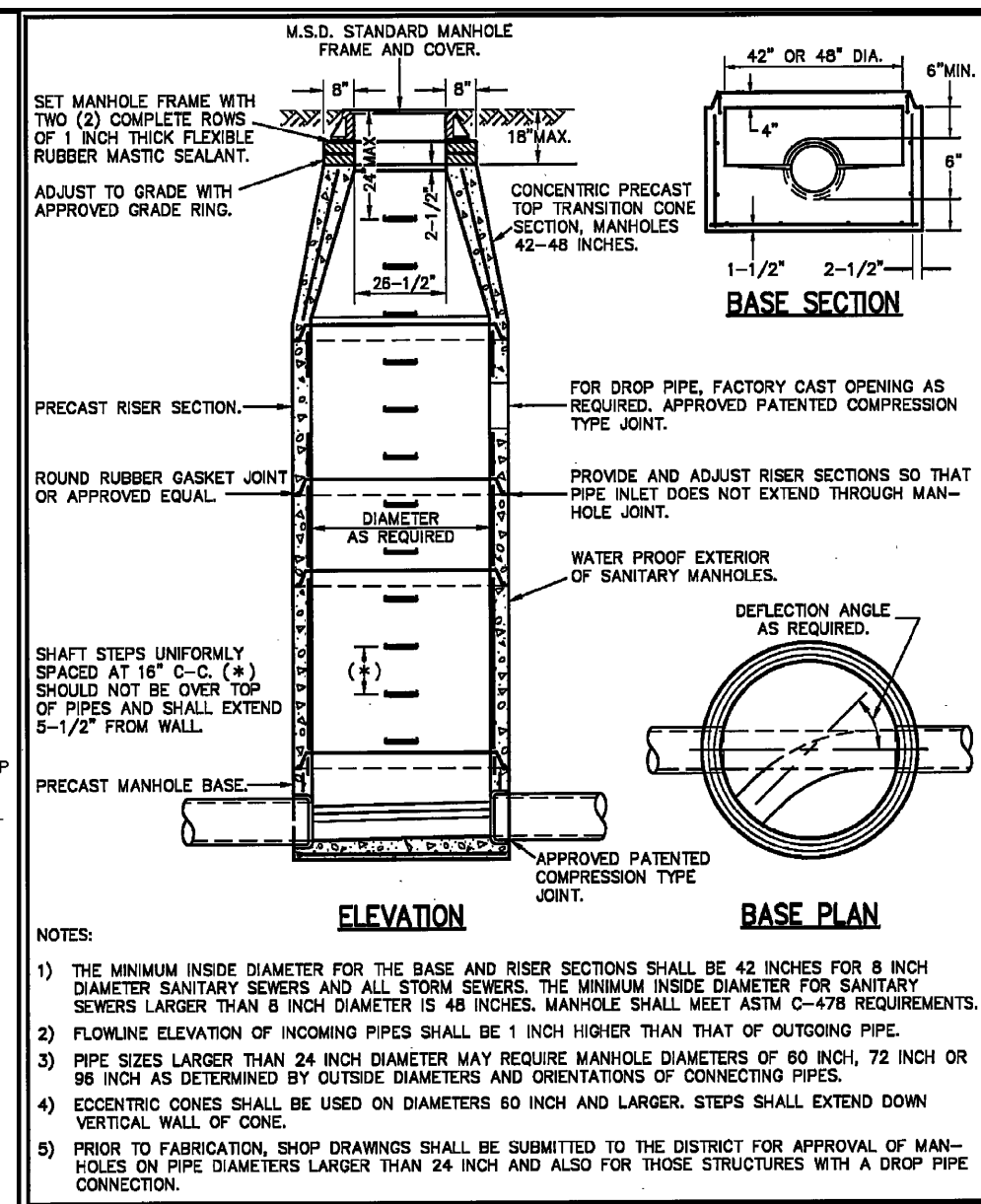


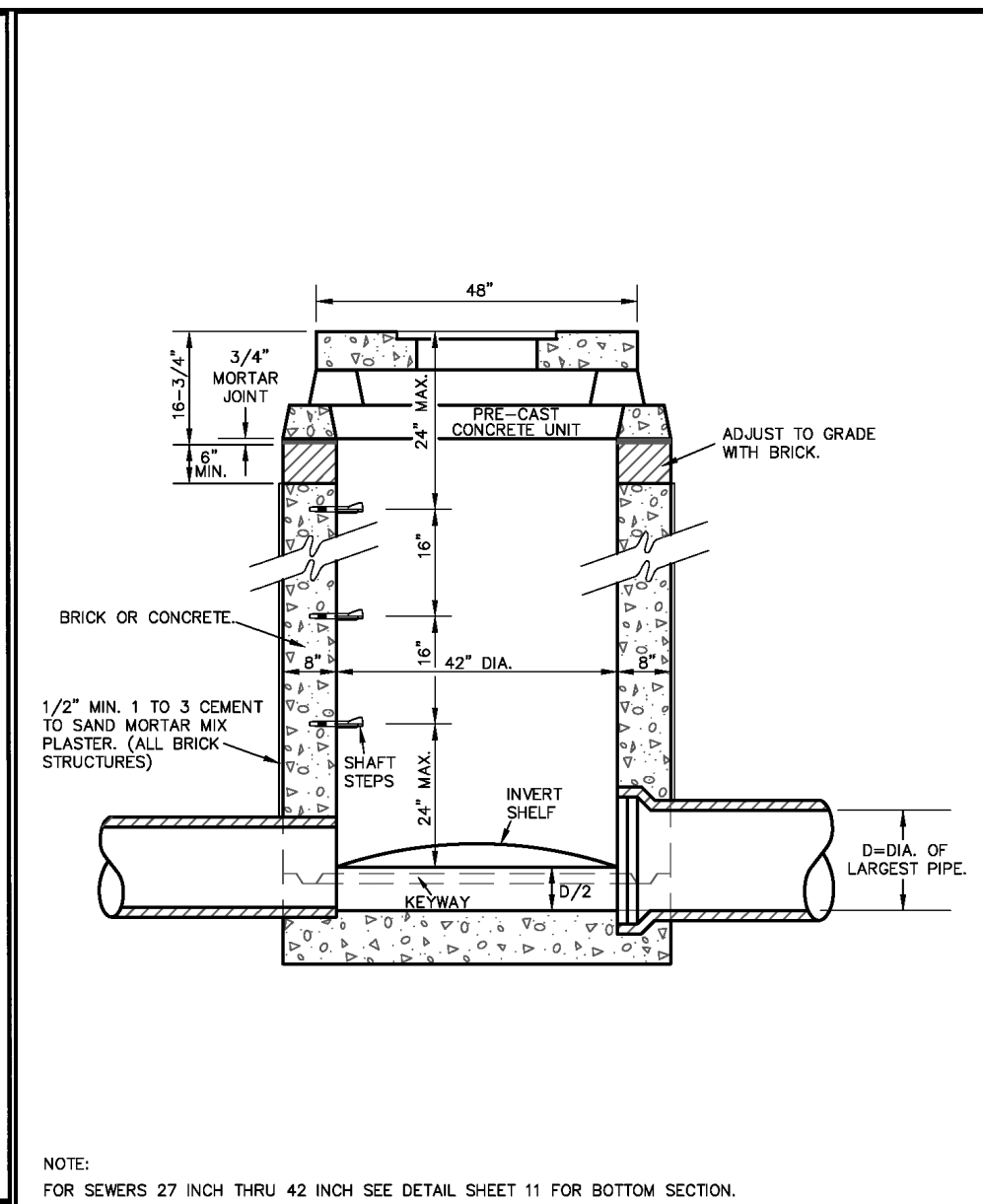
PIPE BEDDING CLASS "C" (MODIFIED FOR REINFORCED CONCRETE PIPE)	METROPOLITAN ST. LOUIS SEWER DISTRICT Standard Details of Sewer Construction
Dr. WSH/SAM Ch. J.C.K.	2009 SHEET 5



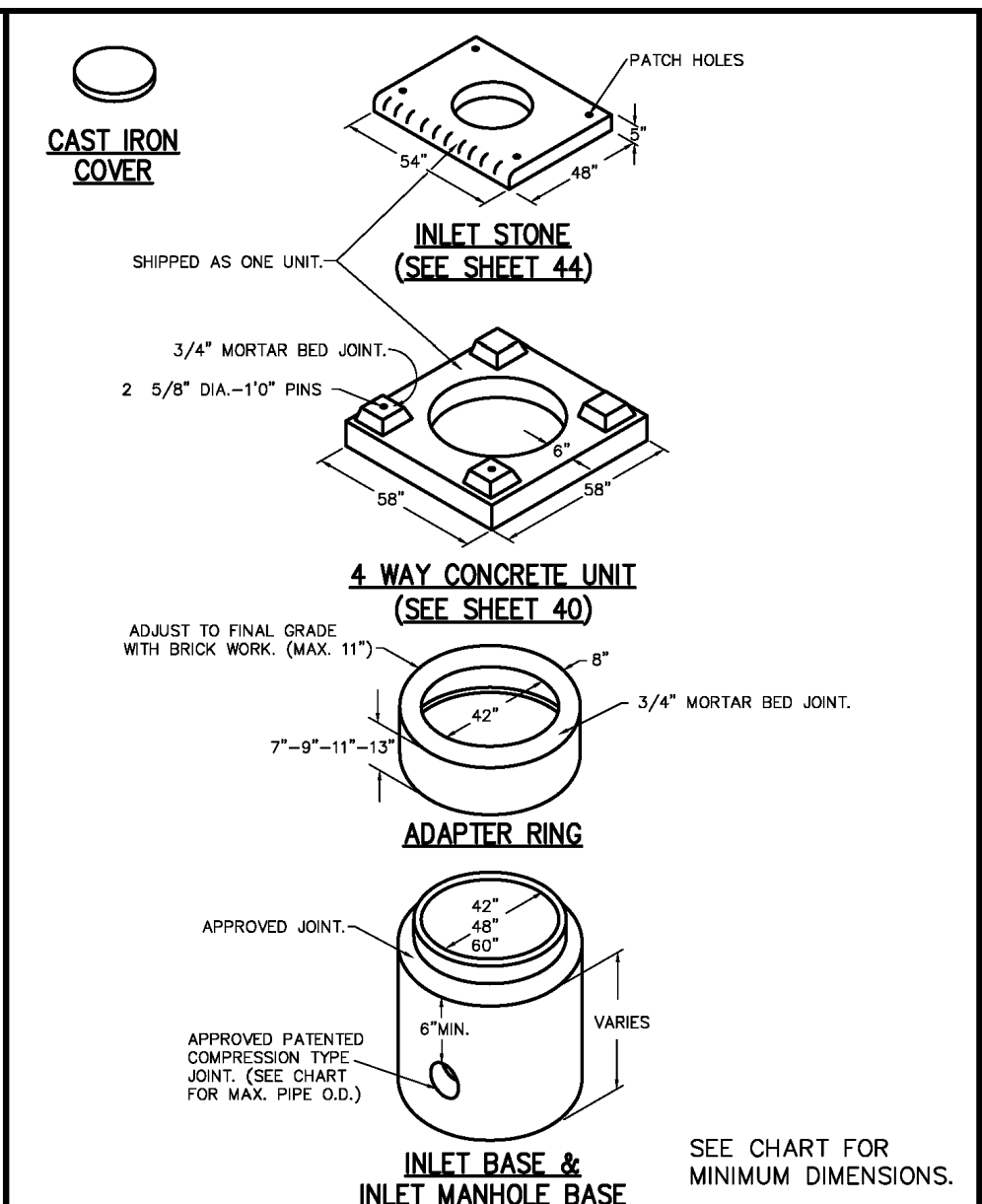
LINE MANHOLE PIPE SEWERS 8"-24" DIA.	METROPOLITAN ST. LOUIS SEWER DISTRICT Standard Details of Sewer Construction
Dr. WSH/SAM Ch. J.C.K.	2009 SHEET 10



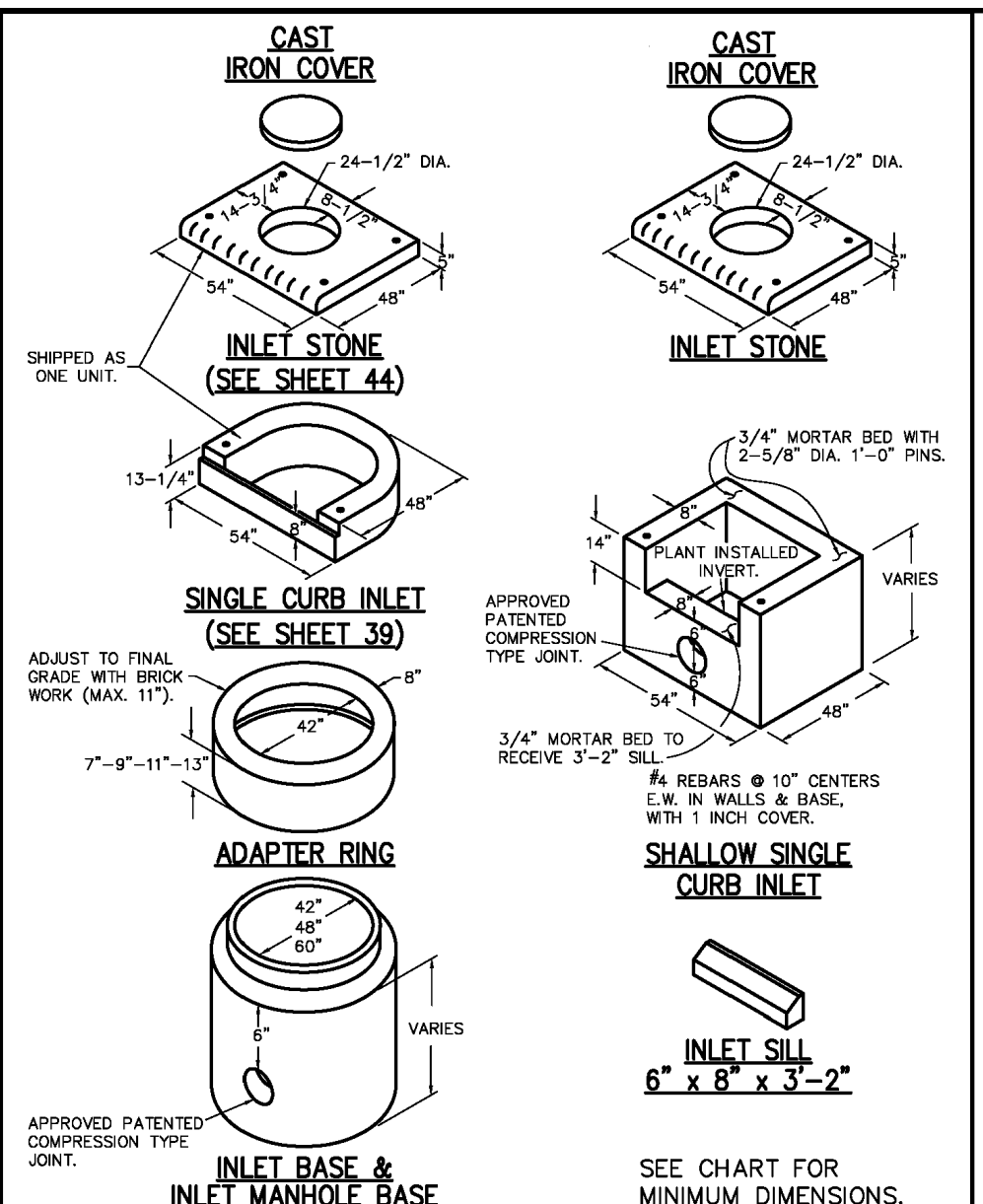
PRECAST CONCRETE MANHOLE	METROPOLITAN ST. LOUIS SEWER DISTRICT Standard Details of Sewer Construction
Dr. WSH/SAM Ch. J.C.K.	2009 SHEET 21



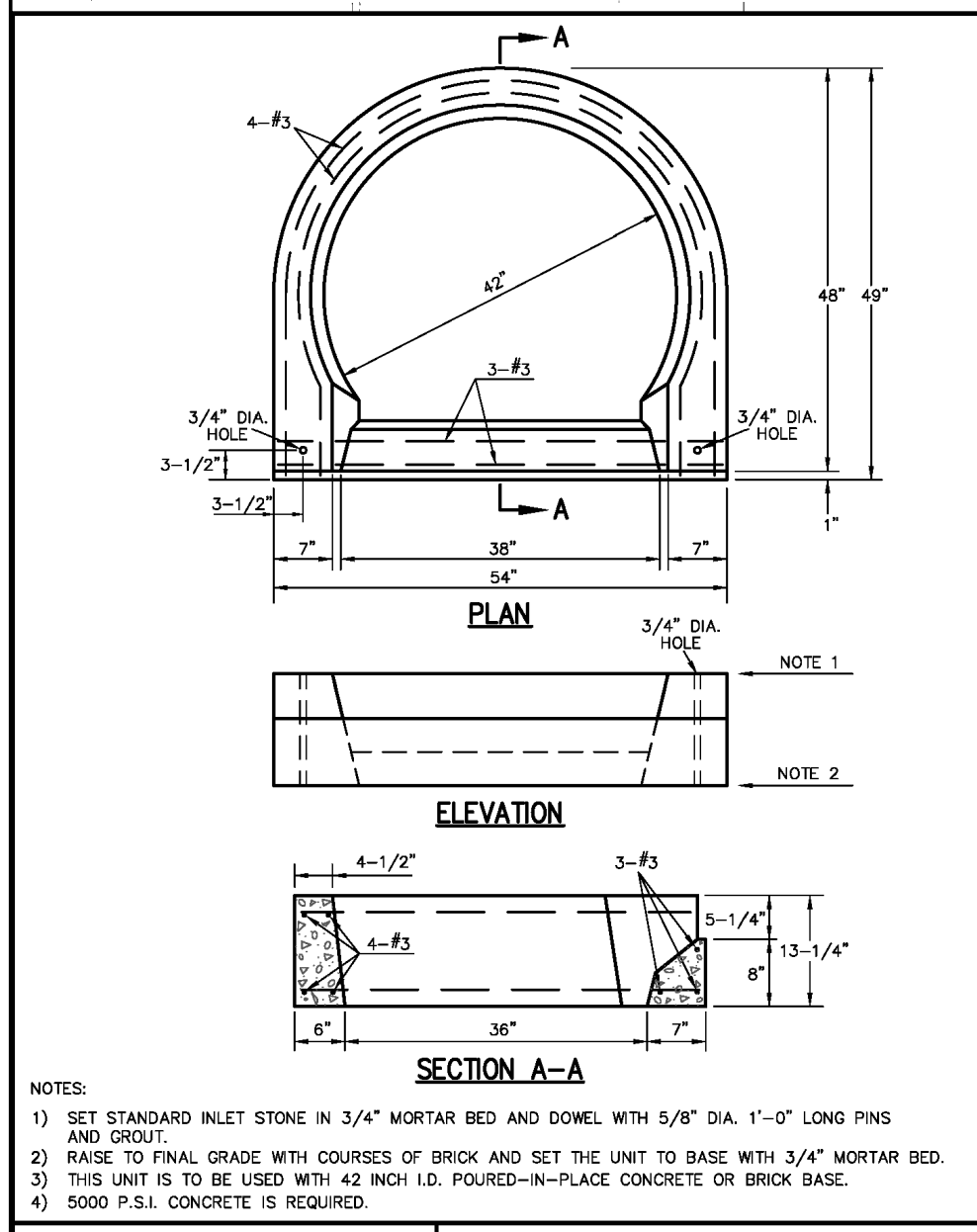
AREA INLET MANHOLE (12" THRU 24")	METROPOLITAN ST. LOUIS SEWER DISTRICT Standard Details of Sewer Construction
Dr. RW/SAM Ch. J.C.K.	2009 SHEET 29



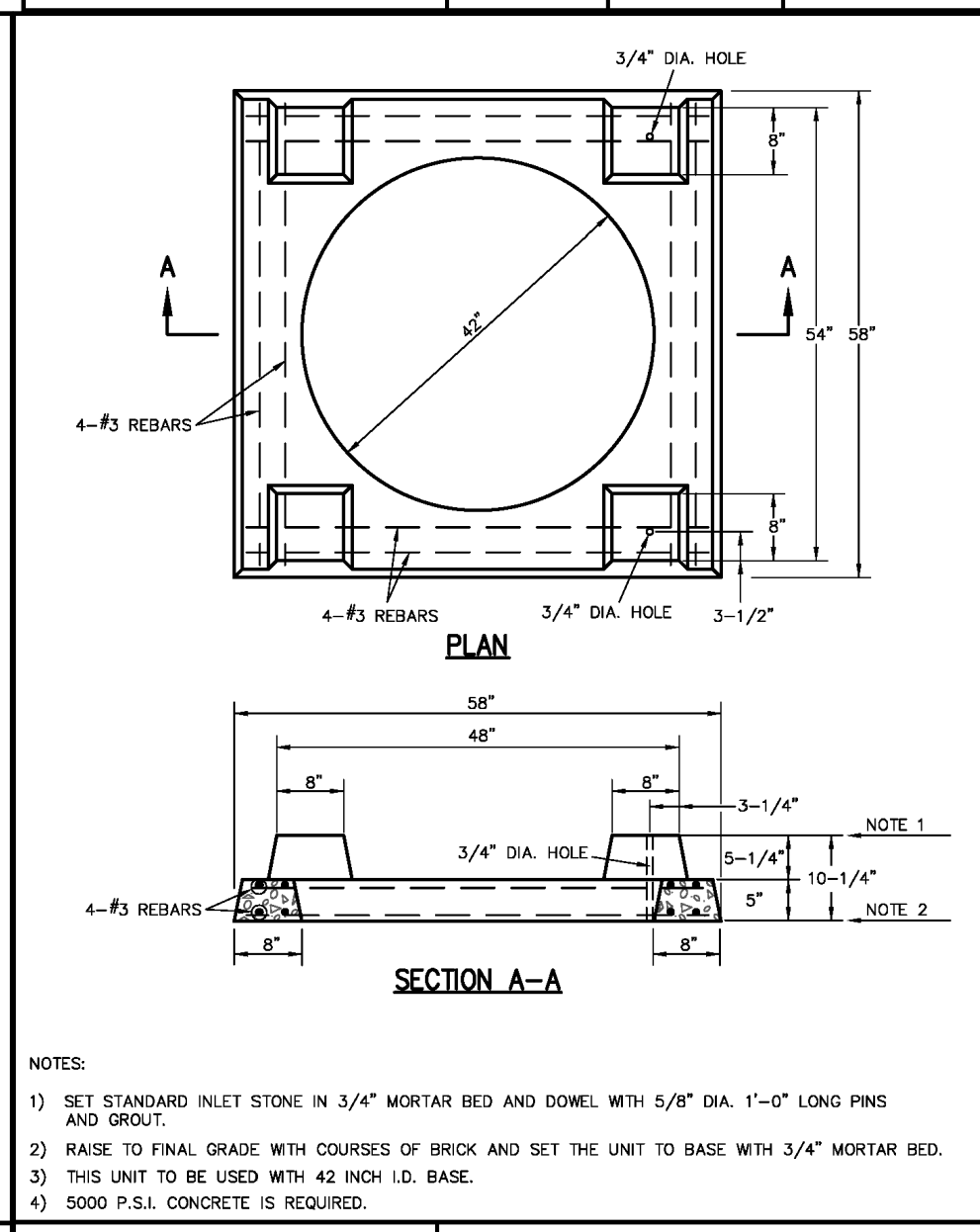
AREA INLET PRECAST CONCRETE	METROPOLITAN ST. LOUIS SEWER DISTRICT Standard Details of Sewer Construction
Dr. JLG/SAM Ch. J.C.K.	2009 SHEET 34



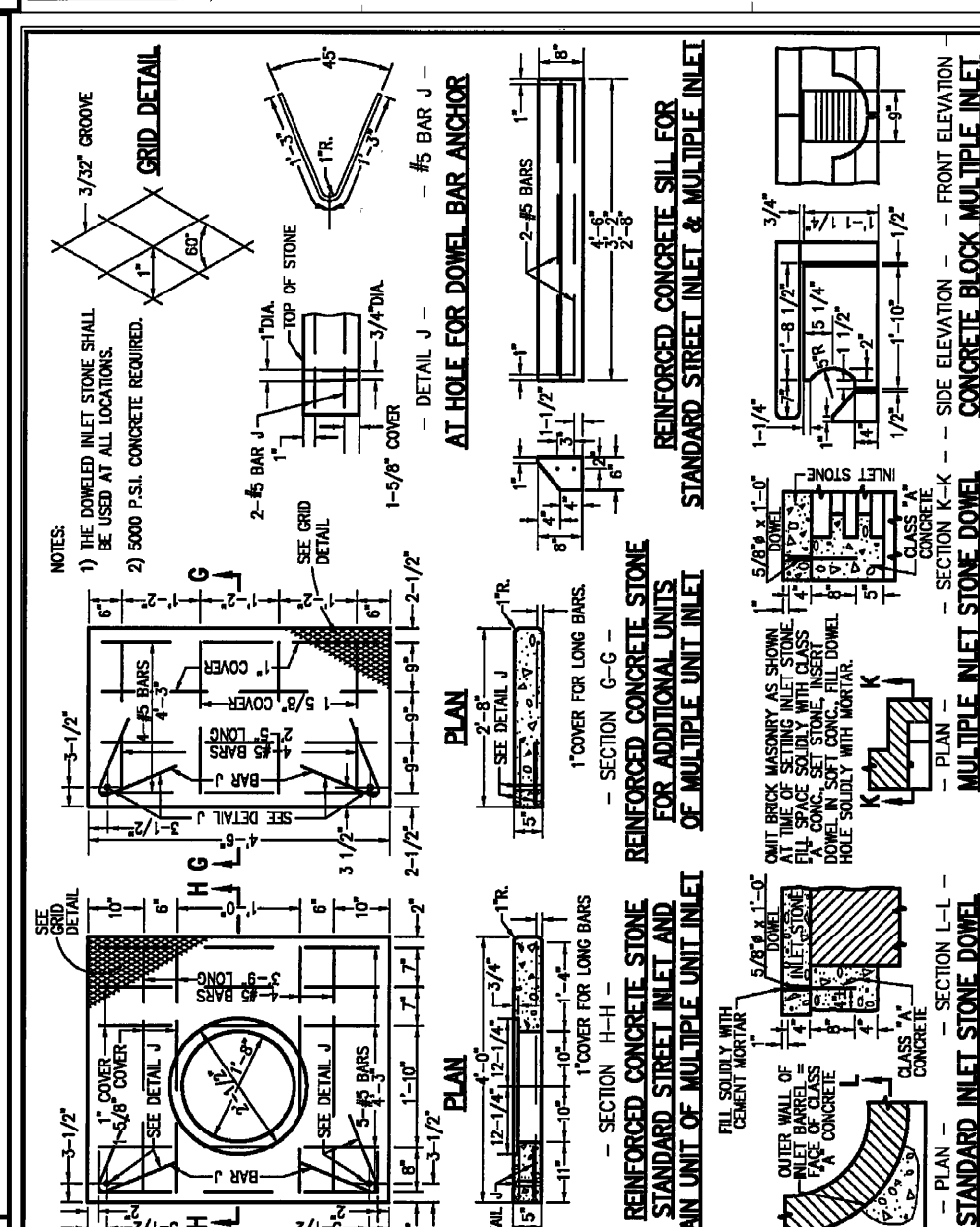
SINGLE STREET INLETS PRECAST CONCRETE	METROPOLITAN ST. LOUIS SEWER DISTRICT Standard Details of Sewer Construction
Dr. JLG/SAM Ch. J.C.K.	2009 SHEET 36



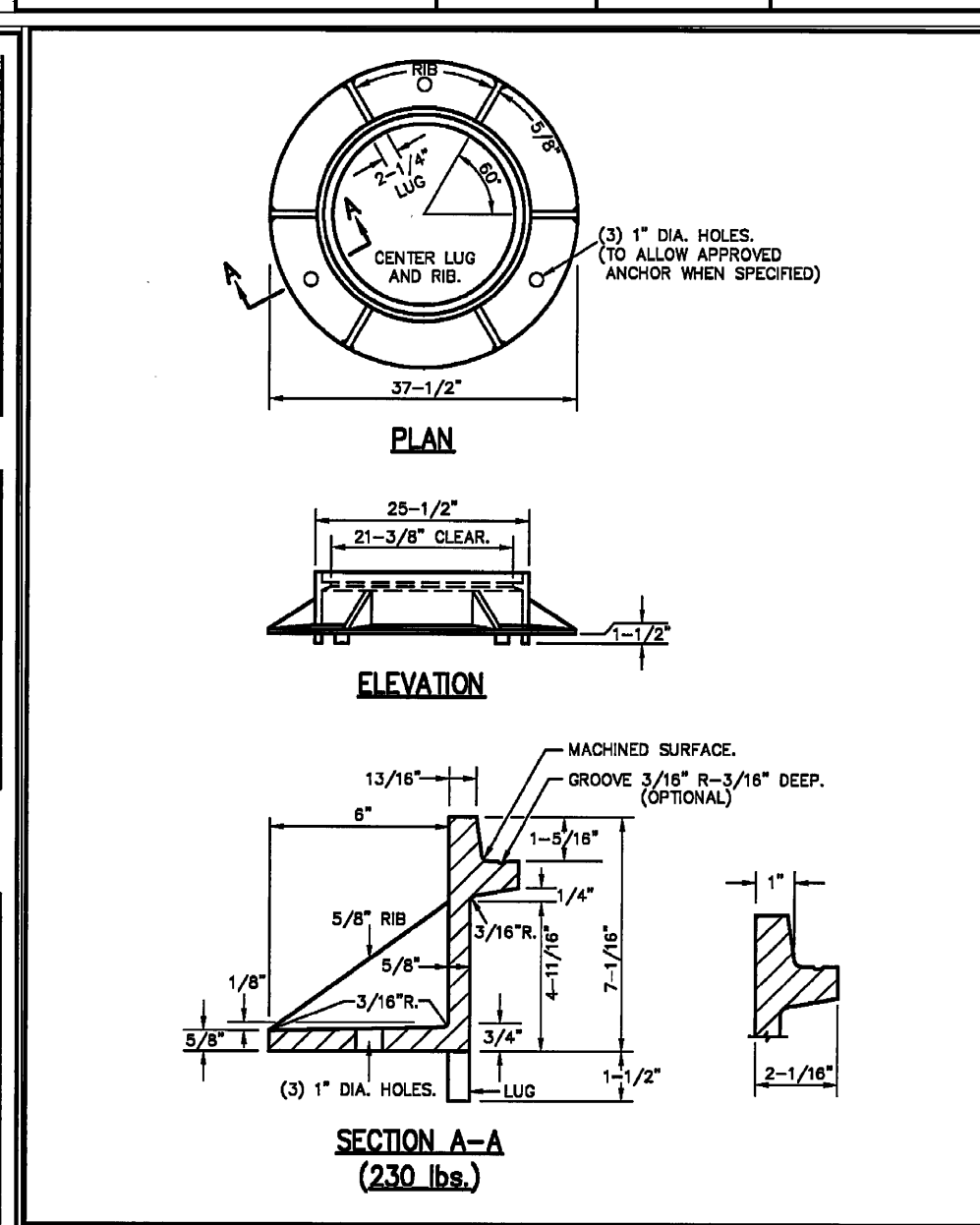
PRECAST CONCRETE UNIT FOR SINGLE STREET INLET	METROPOLITAN ST. LOUIS SEWER DISTRICT Standard Details of Sewer Construction
Dr. WSH/SAM Ch. J.C.K.	2009 SHEET 39



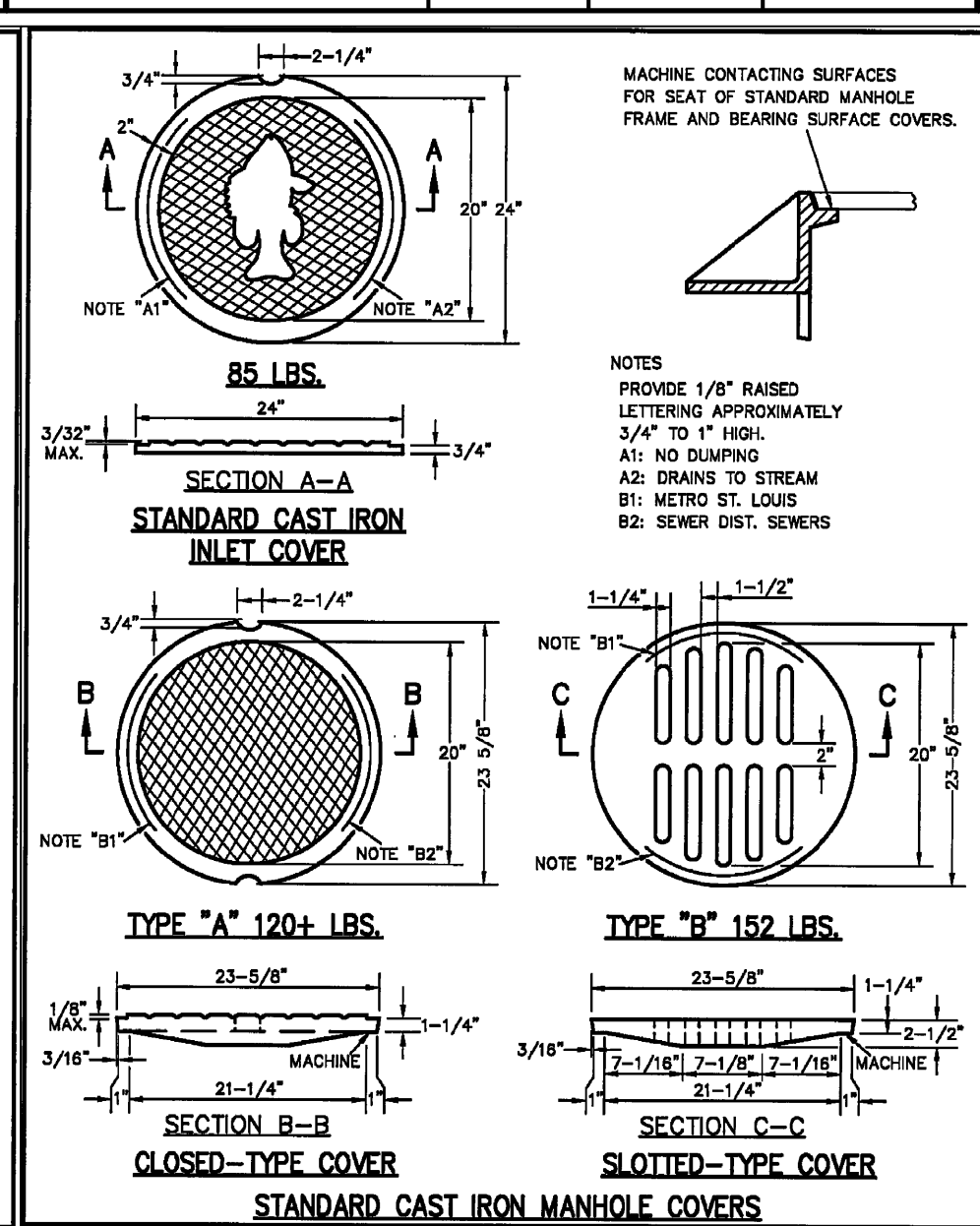
PRECAST CONCRETE UNIT FOR 4 WAY AREA INLET	METROPOLITAN ST. LOUIS SEWER DISTRICT Standard Details of Sewer Construction
Dr. DAB/SAM Ch. J.C.K.	2009 SHEET 40



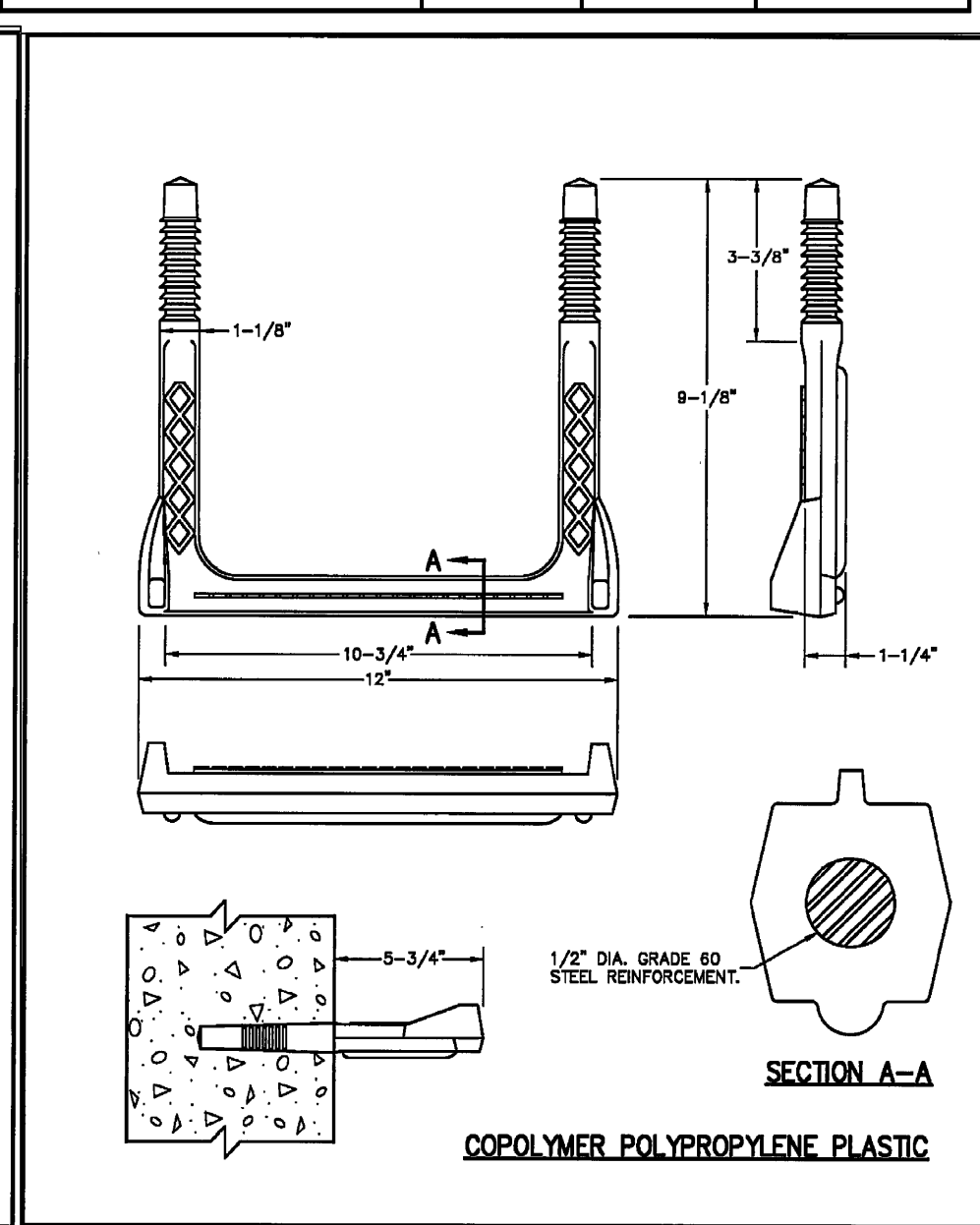
STANDARD - INLET STONES, BLOCKS & DESIGN DETAILS	METROPOLITAN ST. LOUIS SEWER DISTRICT Standard Details of Sewer Construction
Dr. WSH/SAM Ch. J.C.K.	2009 SHEET 44



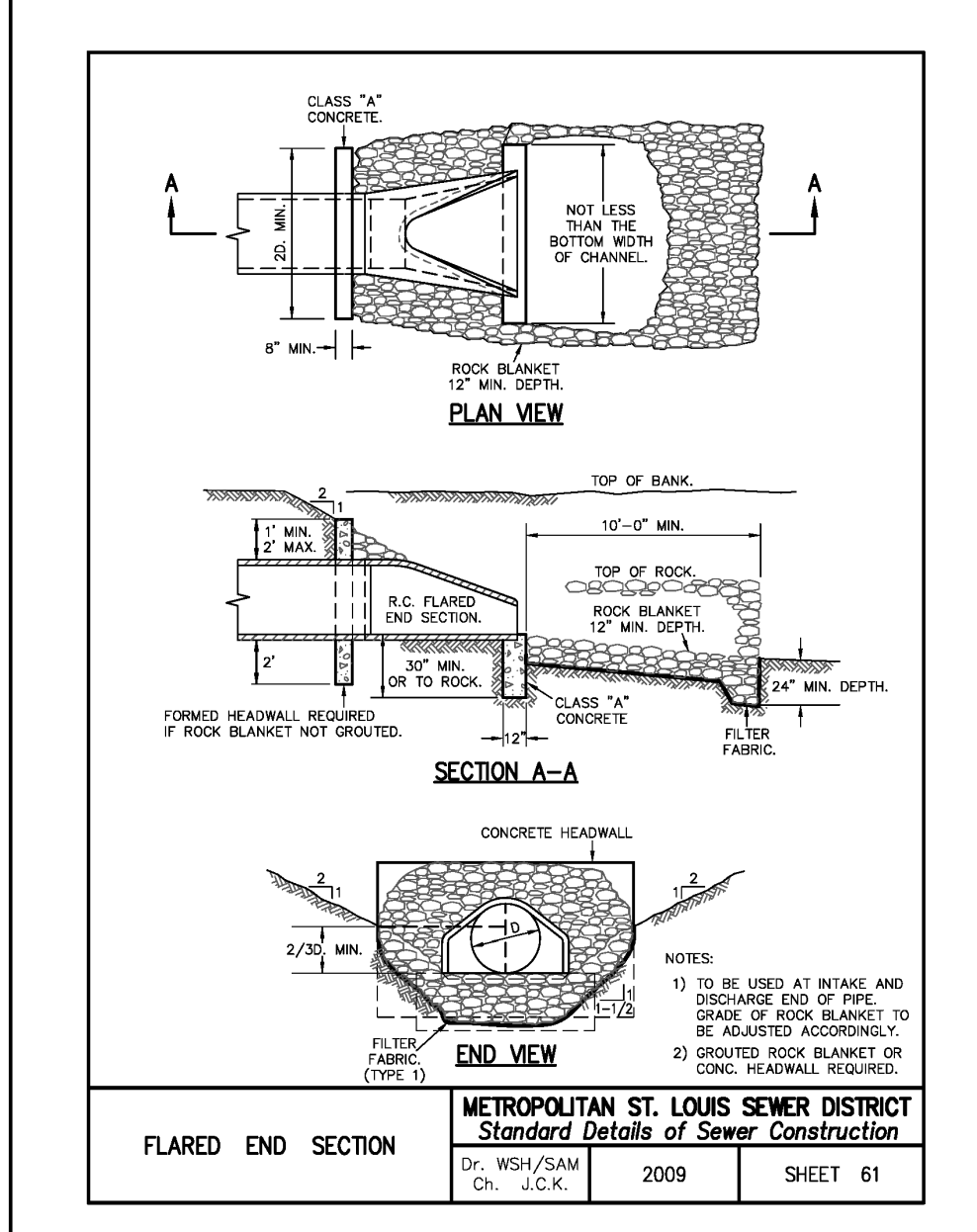
CAST IRON MANHOLE FRAME	METROPOLITAN ST. LOUIS SEWER DISTRICT Standard Details of Sewer Construction
Dr. DAB/SAM Ch. J.C.K.	2009 SHEET 52



CAST IRON COVERS FOR MANHOLES AND INLETS	METROPOLITAN ST. LOUIS SEWER DISTRICT Standard Details of Sewer Construction
Dr. RW/SAM Ch. J.C.K.	2009 SHEET 53



MANHOLE STEP FOR PRECAST & CAST-IN-PLACE MANHOLE	METROPOLITAN ST. LOUIS SEWER DISTRICT Standard Details of Sewer Construction
Dr. D.A.B. Ch. J.C.K.	2009 SHEET 58



FLARED END SECTION	METROPOLITAN ST. LOUIS SEWER DISTRICT Standard Details of Sewer Construction
Dr. WSH/SAM Ch. J.C.K.	2009 SHEET 61

PROJECT TITLE:

SOMMERSET ESTATES

ENGINEERING
PLANNING
SURVEYING

221 Point West Blvd.
St. Charles, MO 63301
636-928-6562
FAX 636-928-1718

Box Project # 21-18318 Issue Date: 07/26/2021

DISCLAIMER OF RESPONSIBILITY

I hereby specify that the documents intended to be authorized by my seal are limited to this sheet, and I hereby disclaim any responsibility for all other drawings, specifications, estimates, reports or other documents or instruments relating to or intended to be used for any part or parts of the architectural or engineering project or survey.

REVISIONS	
09/02/21	PWSD#2 & DUCRETT COMMENTS
09/10/21	PWSD#2 COMMENTS
09/27/21	CITY COMMENTS
10/11/21	CITY COMMENTS

Developer / Owner:
KAPB, L.L.C.
410 Crestview Drive
O'Fallon, MO 63366
636-272-4200

STORM SEWER DETAILS

P+Z No. #21-003778
Approval Date: 09/23/2021
City No. RSP21-000005
Page No. 23 of 23

ENGINEER'S SEAL DOES NOT APPLY TO DETAILS ON THIS SHEET