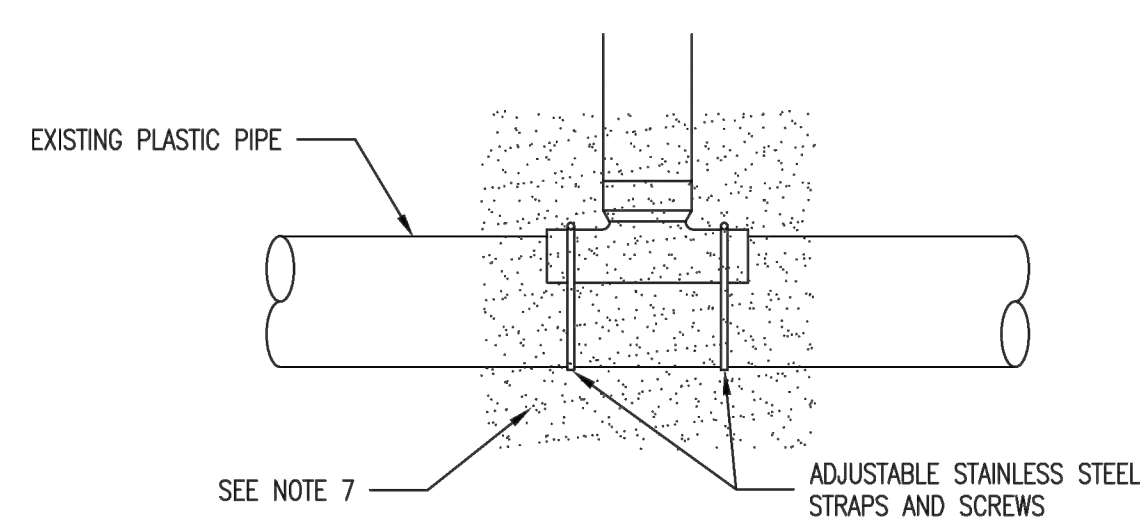


PLASTIC SADDLE TEE OR WYE FITTING (SOLVENT WELD)



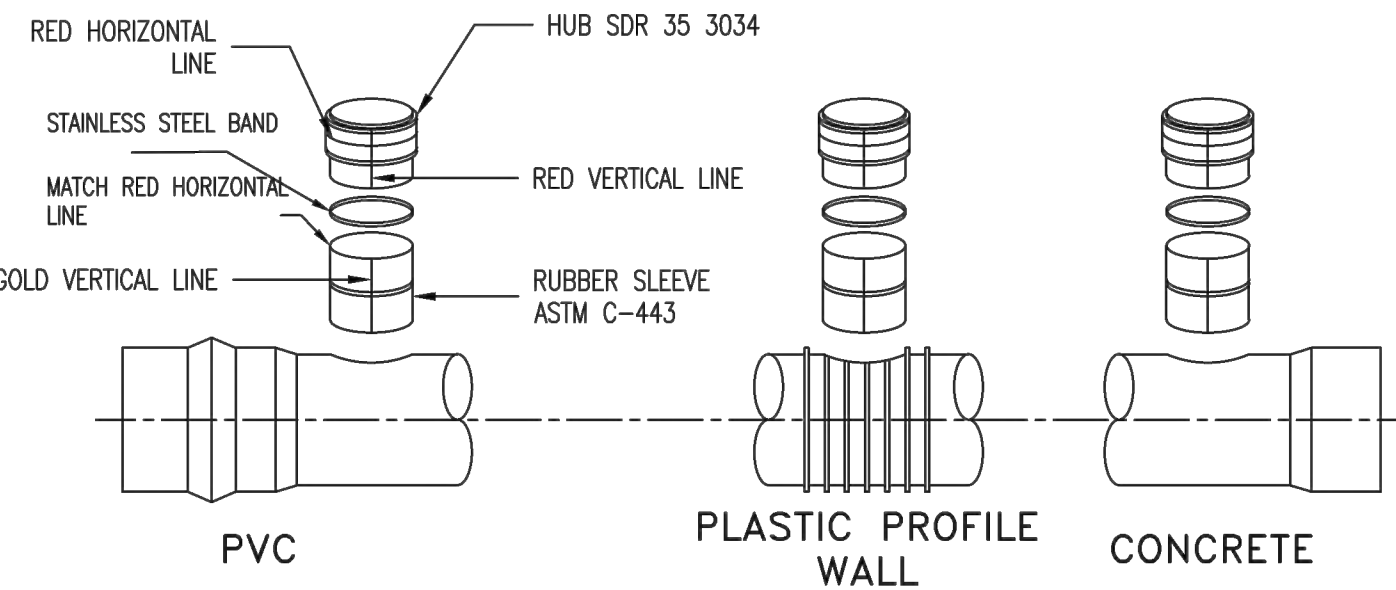
WHEN CONNECTION TO A PLASTIC PIPE IS ALLOWED AND A CONNECTION IS LARGER THAN 6" IN DIAMETER, A SOLVENT WELD WYE OR TEE FITTING OF A SIMILAR MATERIAL MUST BE USED. (EXAMPLE: 10" x 8")

THIS IS ACCOMPLISHED BY CAREFULLY CUTTING A HOLE WITH A SAW IN THE MAIN AT THE REQUIRED LOCATION AFTER CUTTING AND SHAPING THE HOLE TO THE SIZE OF THE FITTING. THE FOLLOWING STEPS SHOULD BE TAKEN:

- CLEAN AND DRY BOTH INSIDE THE SADDLE WYE SURFACE AND PIPE SURFACE TO BE SOLVENT CEMENTED.
- IMPORTANT:** APPLY A LIBERAL, HEAVY COAT OF ONE-STEP SOLVENT CEMENT TO THE INSIDE SURFACE OF THE SADDLE WYE AND TO THE EXTERIOR WELDING SURFACE TO THE PIPE.
- WITHOUT DELAY, MATE THE SURFACES AND STRAP DOWN TIGHTLY. A BEAD OF SOLVENT SHOULD APPEAR AFTER THE SADDLE HAS BEEN STRAPPED DOWN TIGHTLY.
- USING A RAG OR PAPER TOWEL, WIPE BEAD AND ANY EXCESS SOLVENT CEMENT OFF PIPE AND SADDLE.
- ALLOW 30-60 MINUTES FOR SET-UP TIME BEFORE BACKFILLING. CURE TIME DEPENDS ON SIZE FIT OF MATERIALS BEING INSTALLED AND VARIOUS COLD DAMP CONDITIONS.
- DISCARD OLD SOLVENT IF IT BECOMES JELLED OR LUMPY.
- A CLEAN, DRY BEDDING MATERIAL IS REQUIRED AROUND THE COMPLETED CONNECTION BEFORE BACKFILLING. THE BEDDING MATERIAL SHOULD BE ONE OF THE FOLLOWING:
 - 1 TO 3 CEMENT TO SAND MIX
 - "PRE-MIX" CONCRETE.
 - DCSD APPROVED BEDDING FOR SANITARY SEWERS.

Duckett Creek Sanitary District
 SADDLE TEE CONNECTION TO EXISTING PLASTIC MAIN
 Dwn By: BSM App By: KA Detail No. 20A
 Ckd By: MDOB Date: DEC. 2015

INSERTA TEE
 THE USE OF AN INSERTA TEE REQUIRES DISTRICT APPROVAL.

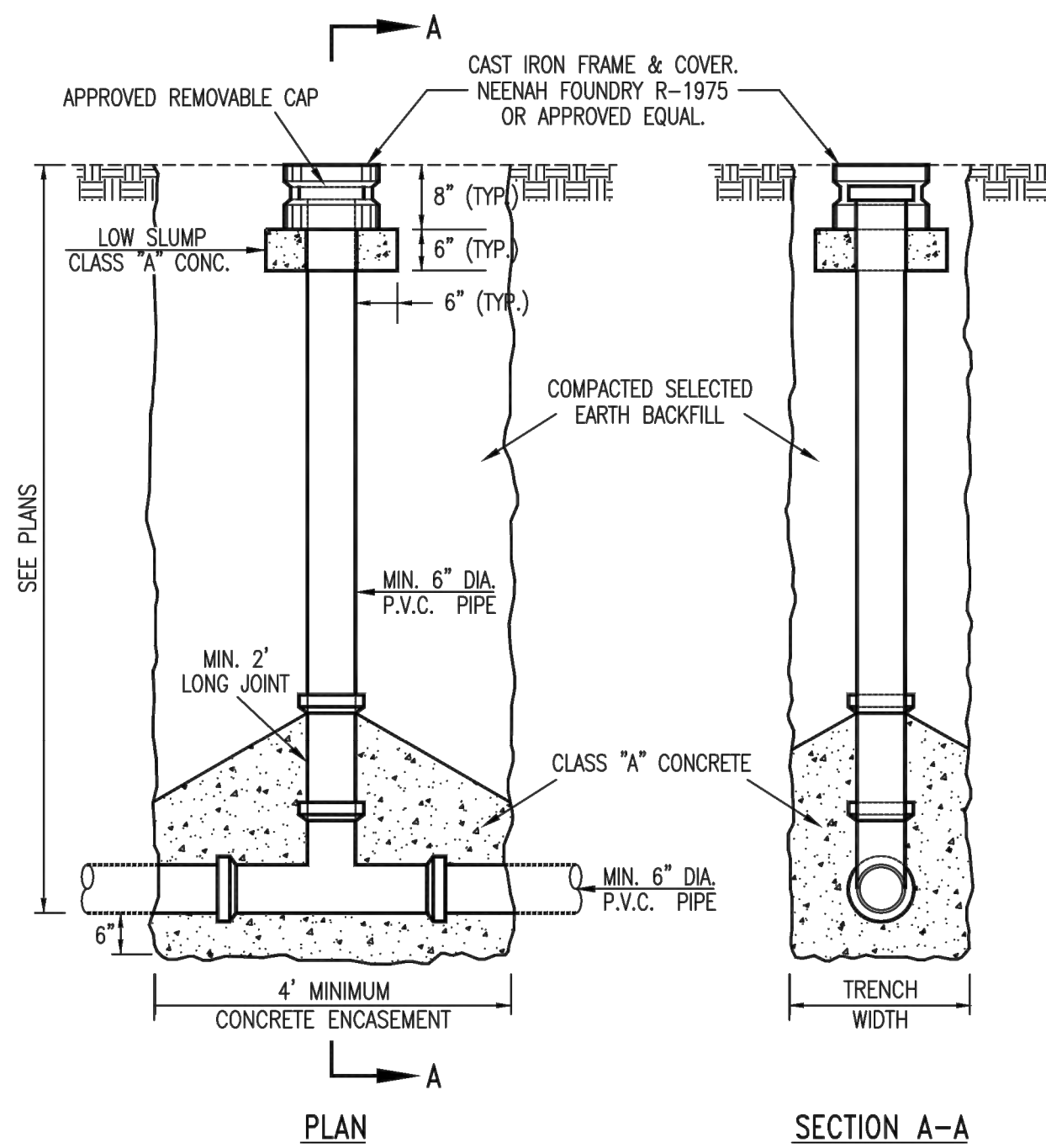


INSTALLATION PROCEDURE:

- CORE THE PROPER SIZE HOLE.

TEE SIZE:	4"	6"	8"	10"	12"	15"
BIT SIZE:	4 1/2"	6 1/4"	8 1/4"	10 1/8"	12 1/8"	15 1/8"
- INSERT THE RUBBER SLEEVE ① IN THE CORED HOLE WITH THE GOLD VERTICAL LINE ON THE RUBBER SLEEVE ② FACING TO THE SIDE OF THE MAIN LINE. THE UPPER SEGMENT SHOULD BE ON TOP OF THE WALL OR RIB AND THE LOWER SEGMENT (PVC, PROFILE WALL, AND POLYETHYLENE PIPE ONLY) SHOULD BE ON THE INSIDE OF THE PIPE.
- APPLY THE INSERTA TEE SOLUTION SUPPLIED TO THE INSIDE OF THE RUBBER SLEEVE AND TO THE OUTSIDE OF THE PVC HUB ADAPTER. **CAUTION - DO NOT USE AN OIL-BASED LUBRICANT.**
- PLACE THE PVC HUB ADAPTER ③ INTO THE RUBBER SLEEVE. MAKE SURE THAT THE RED VERTICAL LINE ④ ON THE PVC HUB ADAPTER IS IN LINE WITH THE GOLD VERTICAL LINE ② ON THE RUBBER SLEEVE.
- PLACE THE 2x4 BOARD ONTO THE TOP OF THE PVC HUB ADAPTER.
- THE RED HORIZONTAL LINE ⑤ AT THE TOP OF THE HUB ADAPTER IS A DEPTH MARK. THIS TELLS THE INSTALLER HOW FAR TO DRIVE THE ADAPTER INTO THE RUBBER SLEEVE. DRIVE THE PVC HUB ADAPTER INTO THE RUBBER SLEEVE TO WHERE THE HORIZONTAL RED LINE ⑤ ON THE PVC HUB ADAPTER ③ MEETS THE TOP OF THE RUBBER SLEEVE ②.
- PLACE THE STAINLESS STEEL BAND ⑦ AROUND THE TOP OF THE RUBBER SLEEVE AND TIGHTEN DOWN.
- INSTALL PIPE IN NORMAL MANNER.

Duckett Creek Sanitary District
 INSERTA TEE DETAILS AND SPECIFICATIONS
 Dwn By: BSM App By: KA Detail No. 20B
 Ckd By: MDOB Date: DEC. 2015



SAMPLING TEE DETAIL

N.T.S.

NOTES:

- DO NOT USE WYES.

Duckett Creek Sanitary District
 SAMPLING TEE
 Dwn By: MSM App By: LRK Detail No. 31
 Ckd By: LRK Date: APRIL 2022

SOURCE ONE SOLUTIONS CONSTRUCTION PLAN
 PART OF ADJUSTED LOT 6 OF A BOUNDARY ADJUSTMENT PLAT THREE KEATON CORPORATE PARK PLAT THREE AND THE JAMES KNAUST TRACT, ACCORDING TO THE PLAT THEREOF, RECORDED IN PLAT BOOK 45, PAGE 352, WITHIN U.S. SURVEY 1669, TOWNSHIP 46 NORTH, RANGE 3 EAST, CITY OF O'FALLON, ST. CHARLES COUNTY, MISSOURI

Civil & Environmental Consultants, Inc.
 3000 Little Hills Expressway, Suite 102
 St. Charles, MO 63301
 314-656-4566 · 866-250-3679
 www.cecinc.com



JAMES R. PIPER, JR., PE
 #PE-201200797
 PROFESSIONAL CIVIL ENGINEER
 *HAND SIGNATURE ON FILE

APP	DRK	DRK	381-945
DRAWN BY:	CHECKED BY:	APPROVED BY:	PROJECT NO.

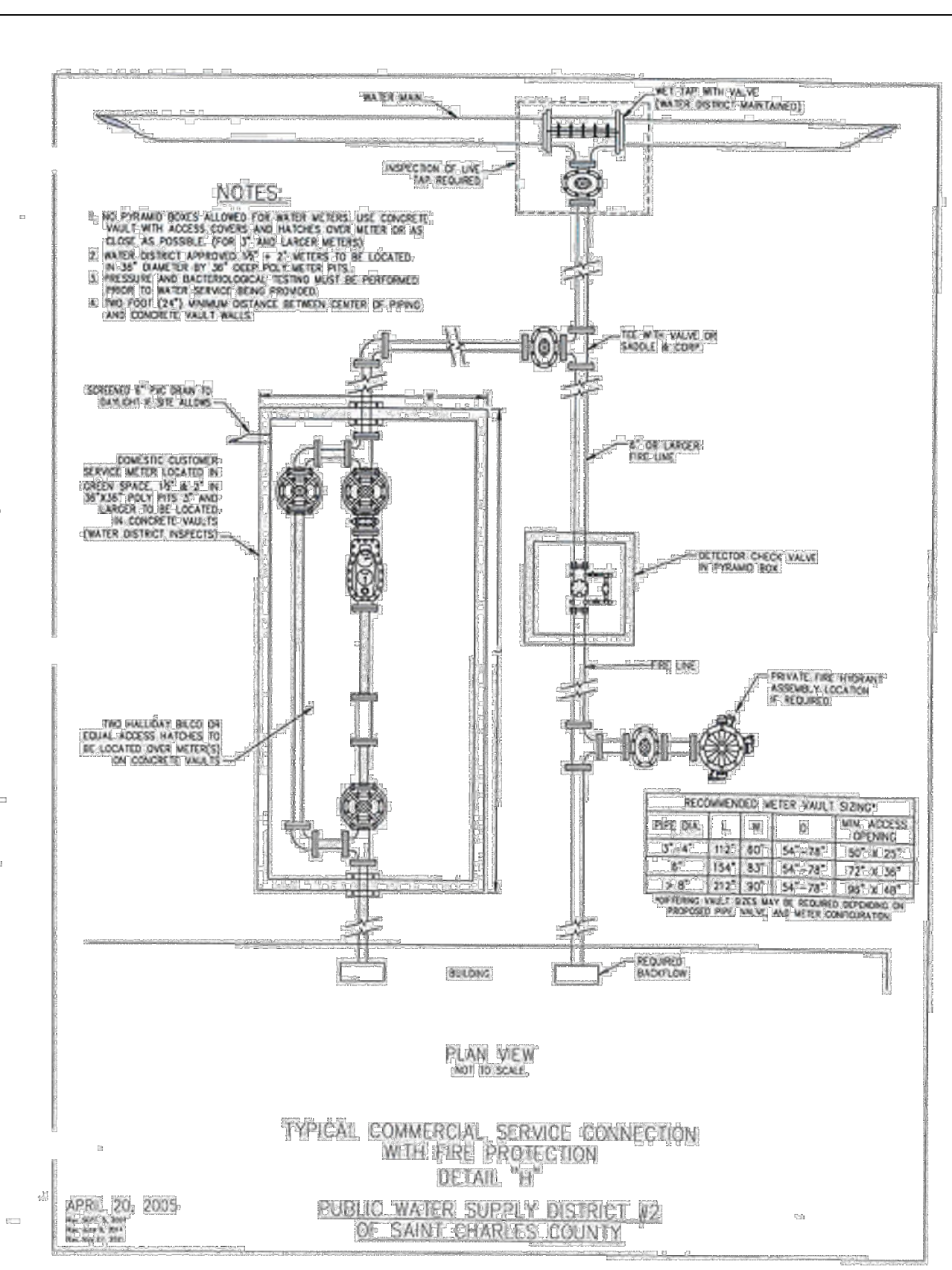
Developer / Owner Information
SOURCE ONE SOLUTIONS
 c/o KEYSTONE CONSTRUCTION CO.
 633 Spirit Valley Central Drive
 Chesterfield, MO 63005

CONSTRUCTION DETAILS

P+Z No. 23-007186
 Approval Date 08/09/2023
 Permit No.

Page No. **C802**

- NOTES:**
- REFER TO SHEET C001 FOR GENERAL NOTES AND ABBREVIATIONS.
 - CONTRACTOR SHALL REFER TO OTHER PLANS WITHIN THIS CONSTRUCTION SET FOR OTHER PERTINENT INFORMATION. IT IS NOT THE ENGINEER'S INTENT THAT ANY SINGLE PLAN SHEET IN THIS SET OF DOCUMENTS FULLY DEPICT ALL WORK ASSOCIATED WITH THIS PROJECT.



TYPICAL COMMERCIAL SERVICE CONNECTION WITH FIRE PROTECTION DETAIL "H"
 APRIL 20, 2005
 PUBLIC WATER SUPPLY DISTRICT #2 OF SAINT CHARLES COUNTY