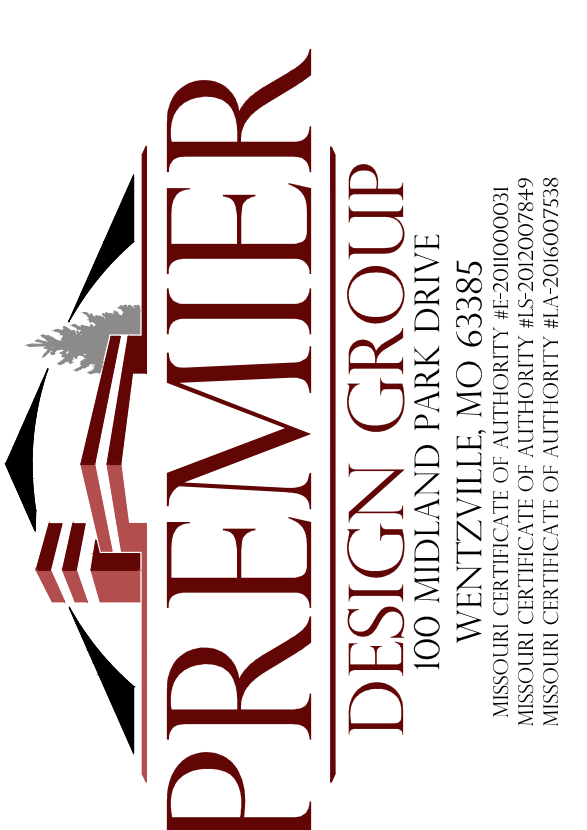
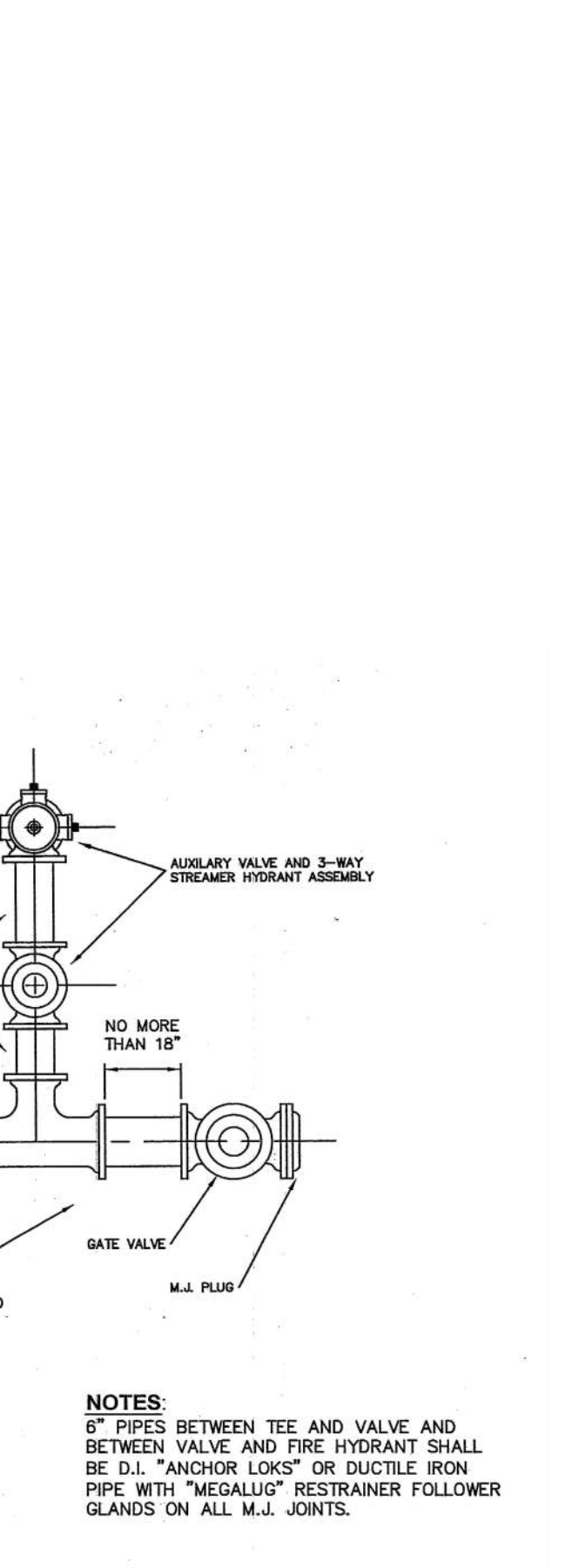
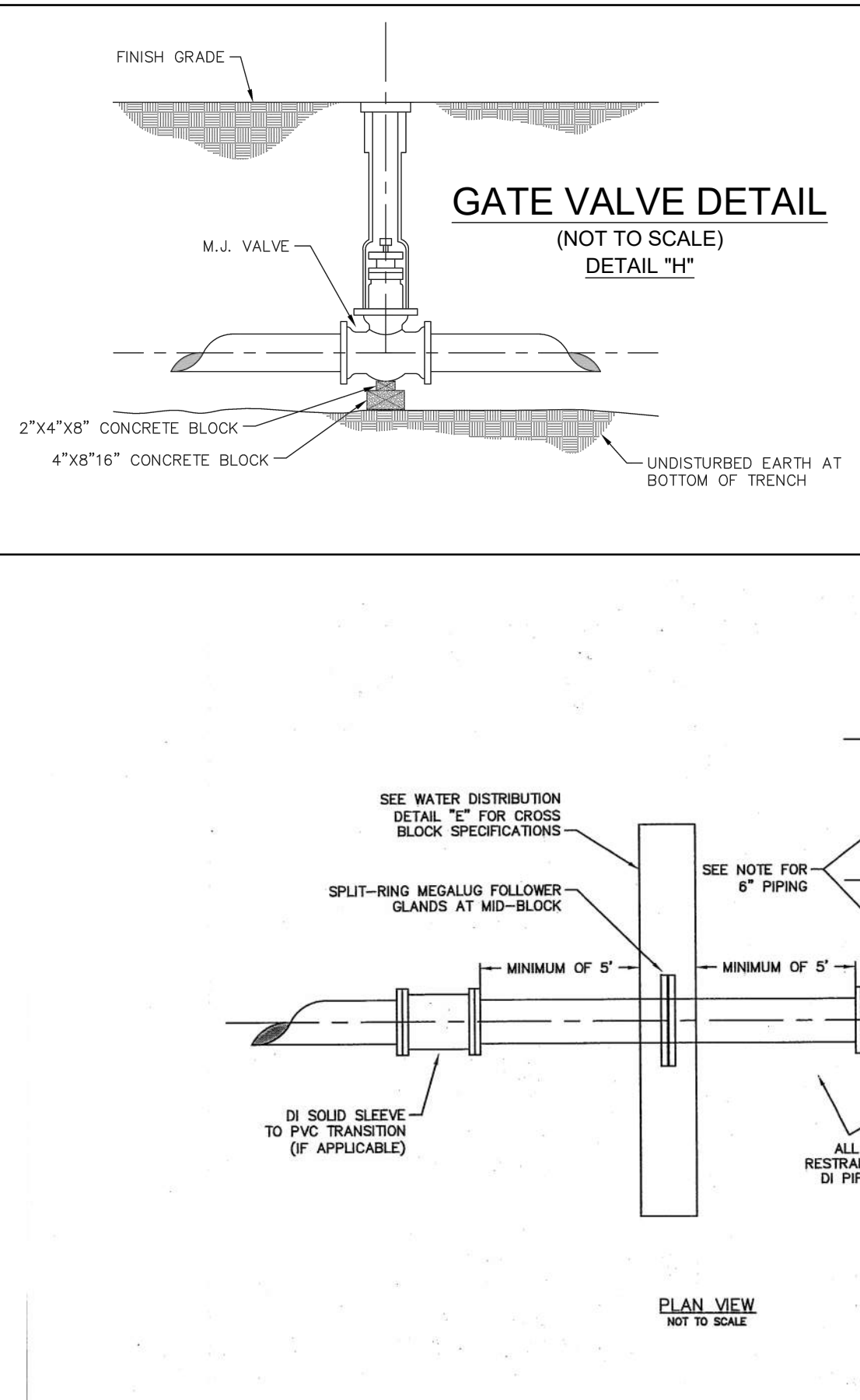
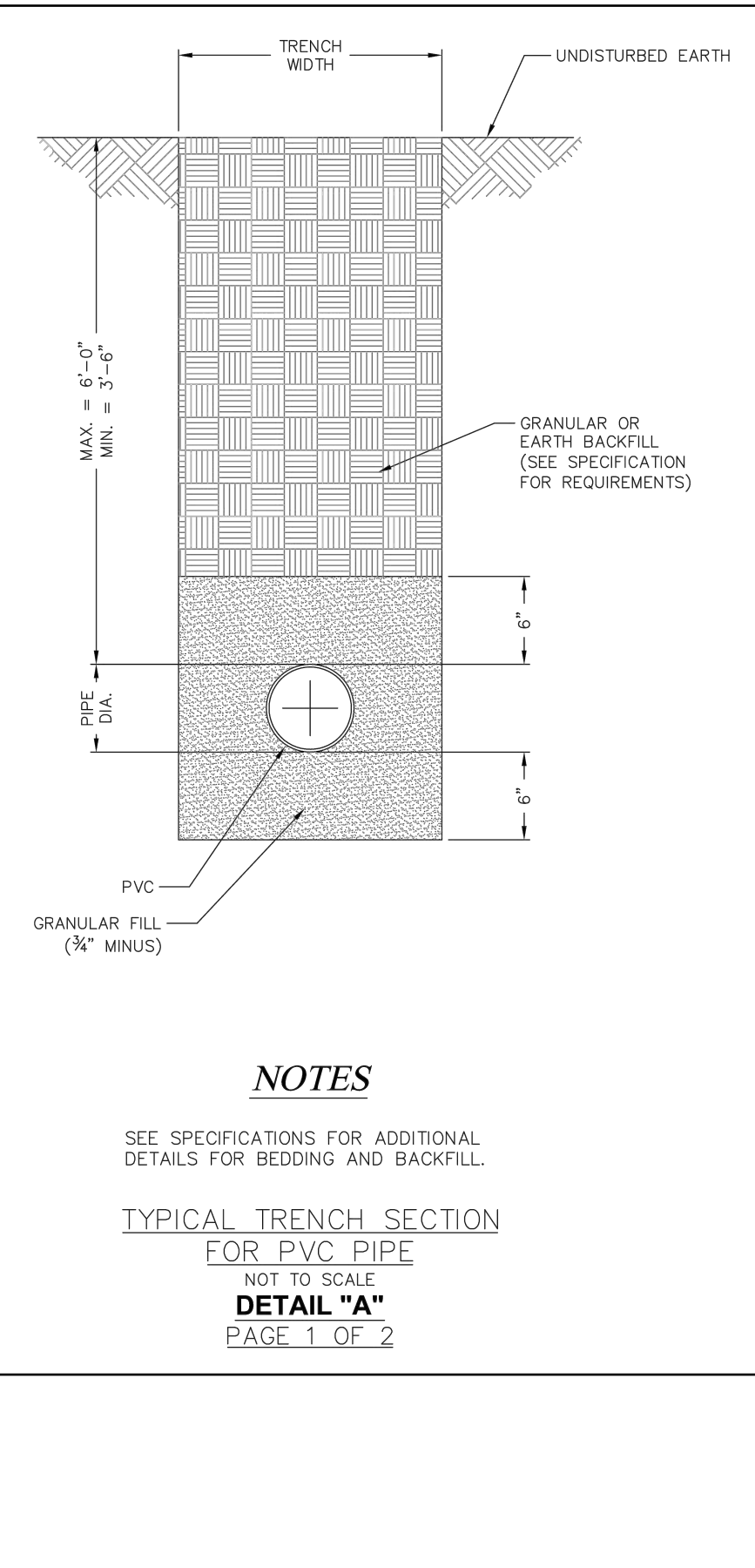


THRUST BLOCK DIMENSIONS - INCHES

PIPE DIA.	ALL FTGS.			TEE PLUG TAPPING		90 DEGREE BEND		45 DEGREE BEND		22-1/2 BEND		11-1/4 BEND	
	A	B	C	H	C	H	C	H	C	H	C	H	
4	14	4	24	12	26	15	18	12	12	12	12	12	
6	16	6	36	18	36	24	30	18	24	12	12	12	
8	20	8	36	30	42	36	36	24	24	18	18	12	
10	20	10	48	36	66	36	36	36	28	24	18	18	
12	24	12	68	36	82	42	52	36	40	24	28	18	

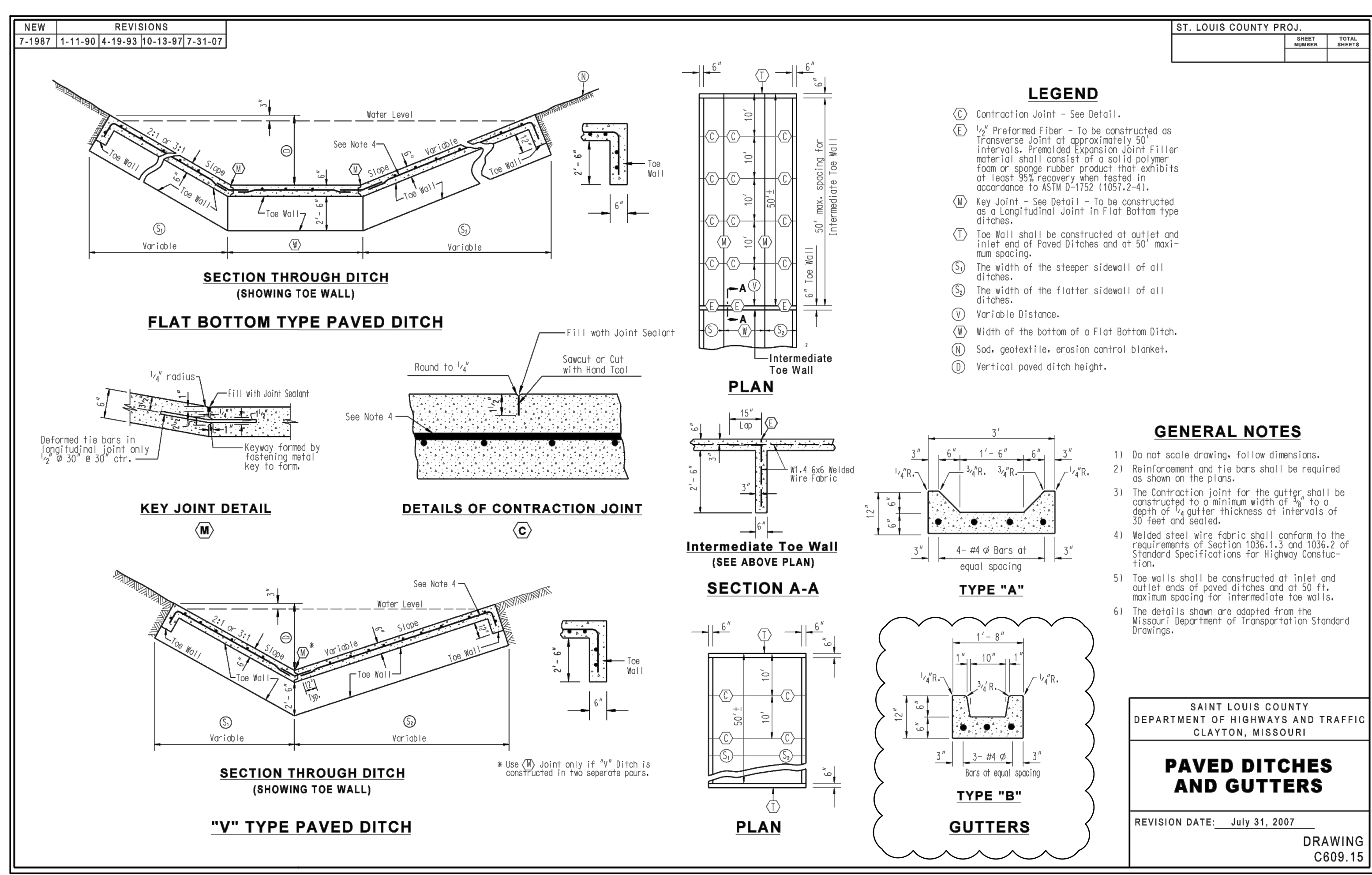
NOTE
FOR FITTINGS LARGER THAN 12", SPECIAL RESTRAINT DESIGNS ARE REQUIRED.

HORIZONTAL THRUST BLOCKING DETAIL "C"



ENGINEERS AUTHENTICATION
The responsibility for professional engineering actions on this project is hereby limited to the set of plans authorized by the seal, signature, and date hereunder attached. Responsibility is disclaimed for all other engineering plans involved in this project and specifically excludes revisions after the date stated hereunder.

STEVEN D. MARON, P.E.
PROFESSIONAL ENGINEER
PE 2006007195



SOUTH RIDGE SHOPPES, L.L.C.
OLD HIGHWAY N ROAD IMPROVEMENTS

8238 HWY N
OFALLON, MO
NEIL KERSTEN
16761 CONCORD HILL
MARTHASVILLE, MO 63357

Project: SOUTH RIDGE SHOPPES, L.L.C. OLD HIGHWAY N ROAD IMPROVEMENTS

Date: 2-08-2020

Revision Date	Description of Changes	Sheet Number
4/05/12-20	REVISIONS PER CITY COMMENTS	C-804

Project No. 168305
Drawn By A. JONES
Checked By J. WINTERS

NOT RELEASED FOR CONSTRUCTION