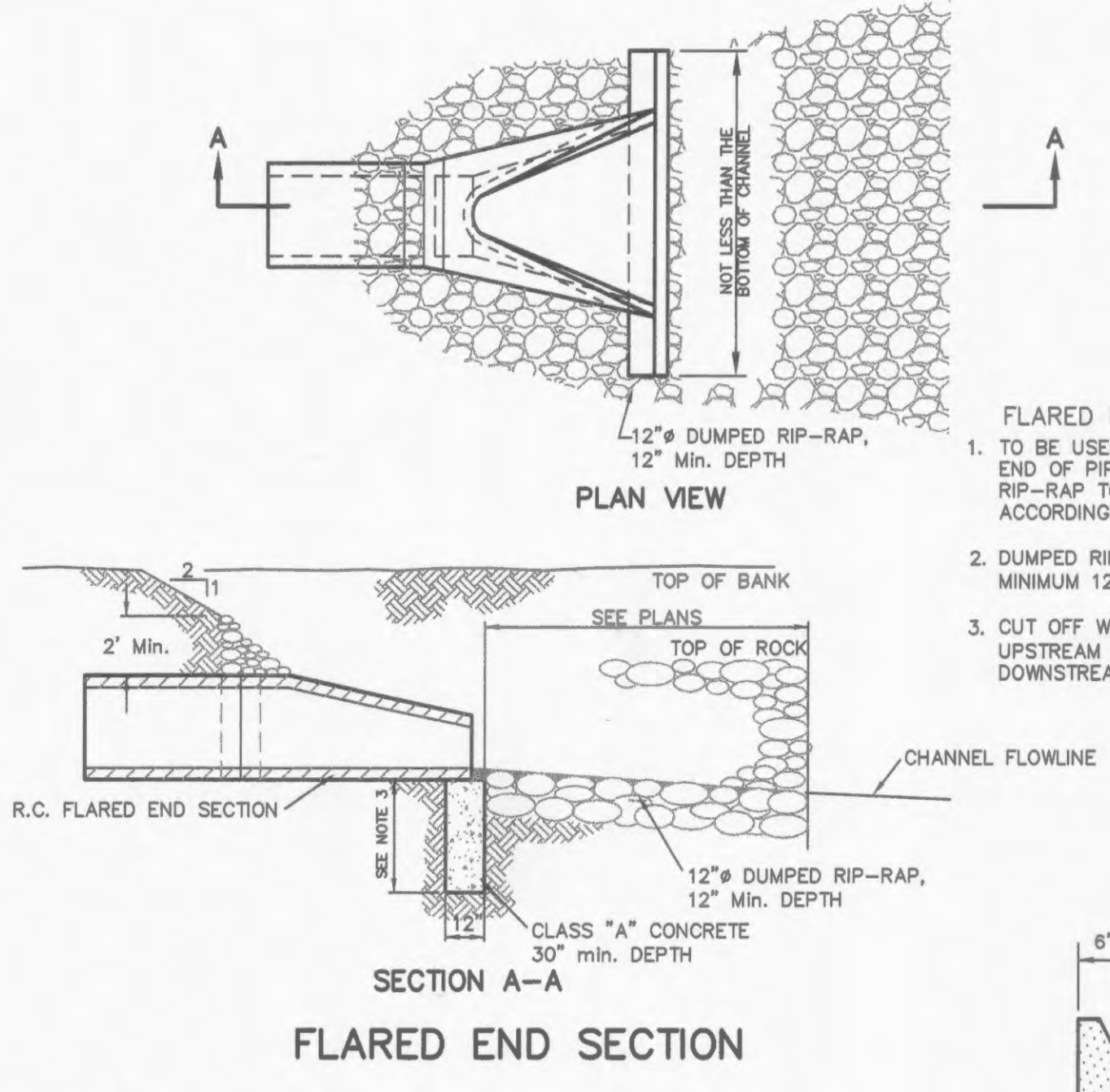
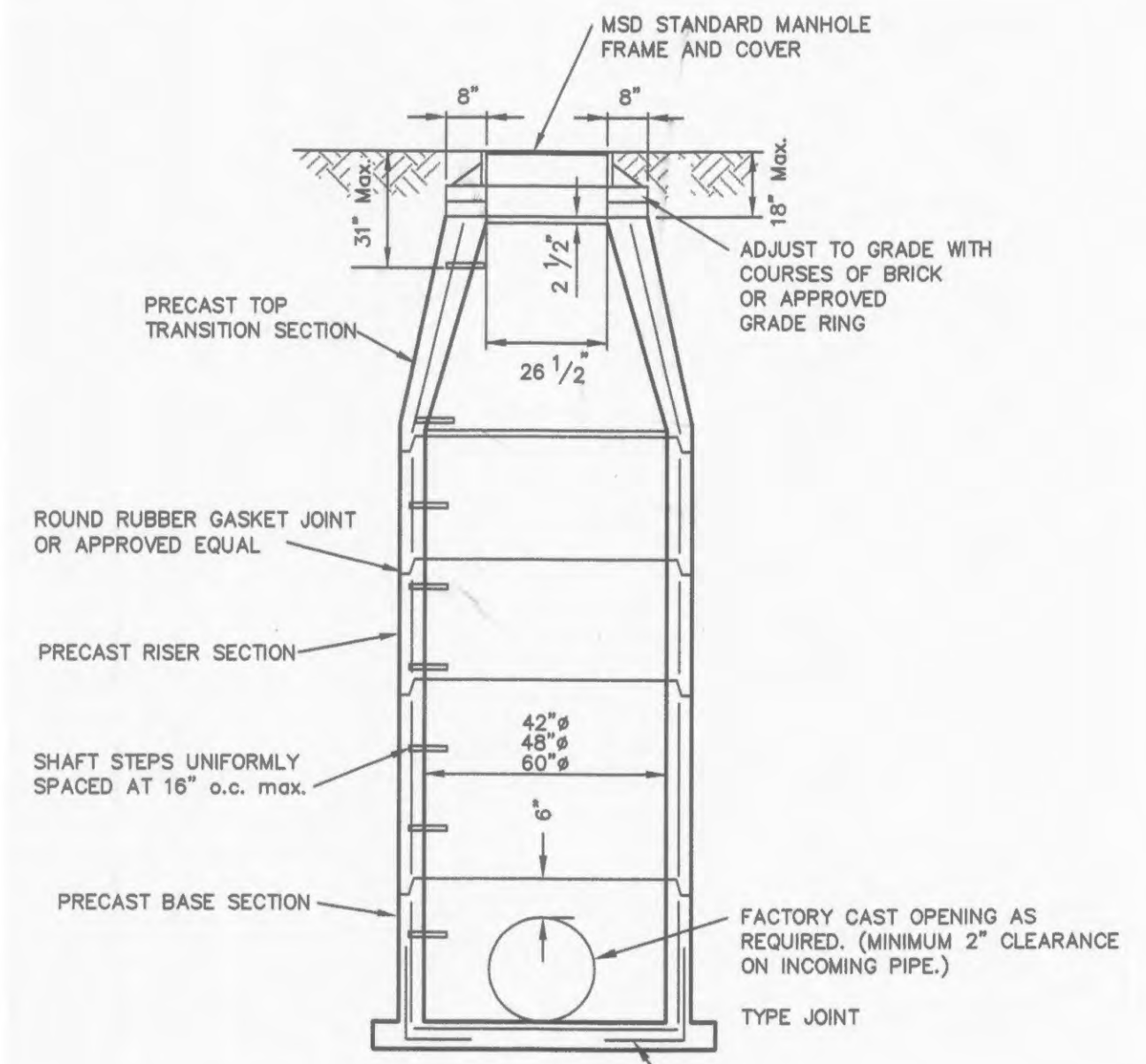
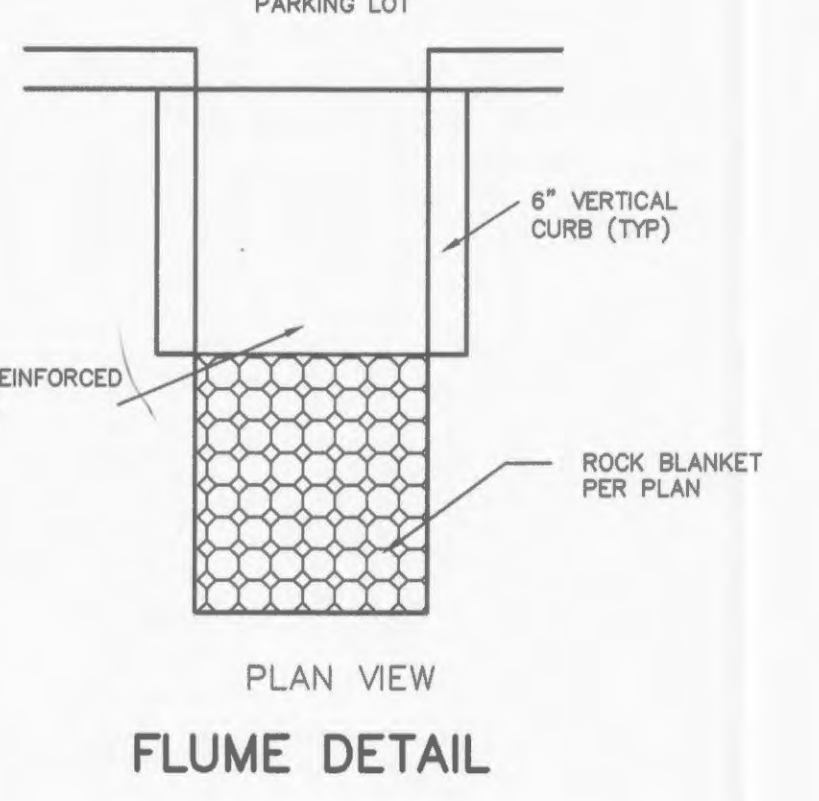
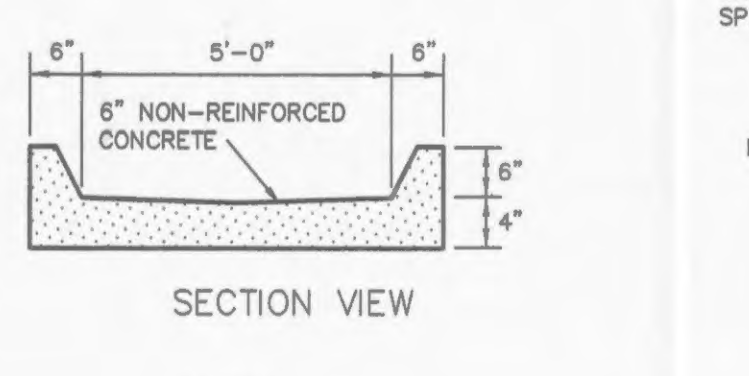


NOTE: STONE FOR HEAVY STONE REVETMENT SHALL BE SOUND, DURABLE, AND FREE FROM CRACKS AND OTHER STRUCTURAL DEFECTS THAT WOULD CAUSE IT TO DETERIORATE. IT SHALL NOT CONTAIN ANY SOAPSTONE, SHALE, OR OTHER MATERIAL EASILY DISINTEGRATED. THE STONE SHALL BE AT LEAST 12 INCH TO 18 INCH DIAMETER AND 15 INCH.

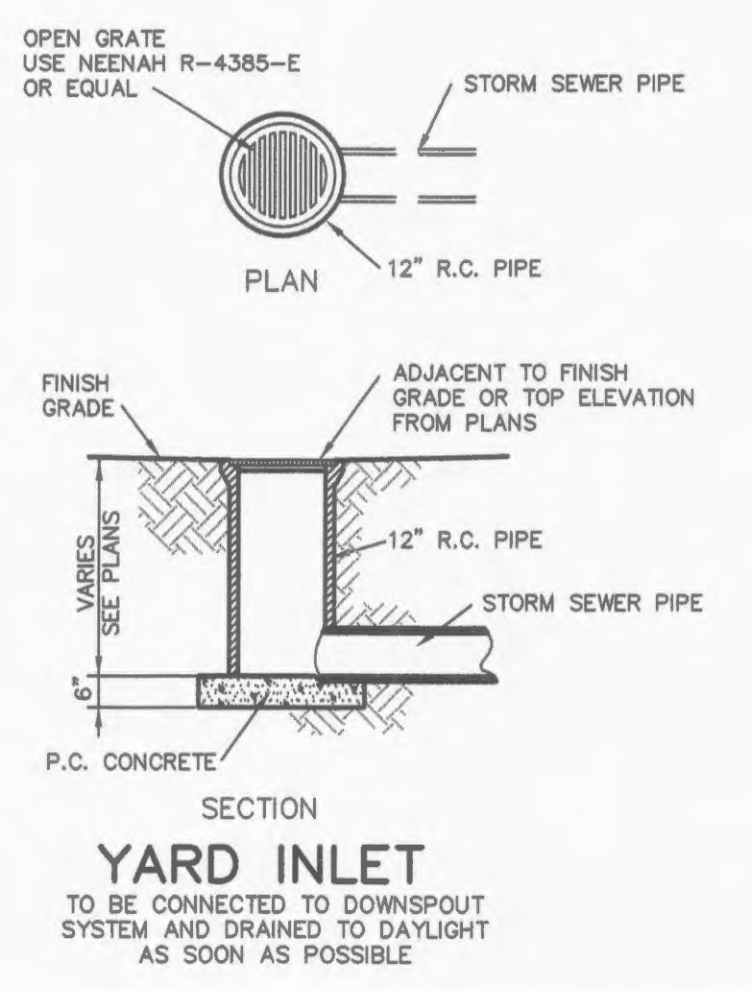
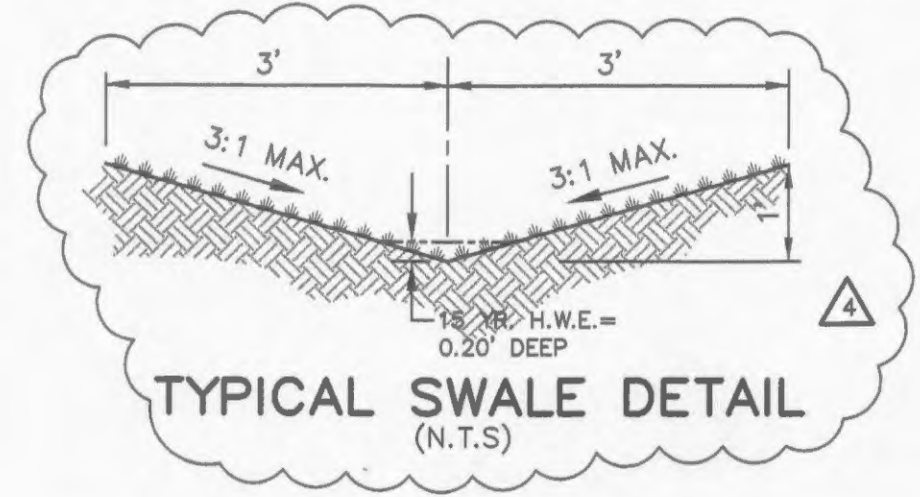


- FLARED END SECTION NOTES:**
1. TO BE USED AT INTAKE AND DISCHARGE END OF PIPE, GRADE OF DUMPED RIP-RAP TO BE ADJUSTED ACCORDINGLY.
  2. DUMPED RIP-RAP, 12" DEPTH REQUIRED. MINIMUM 12" STONE TO BE USED.
  3. CUT OFF WALLS SHALL BE 2' DEEP FOR UPSTREAM FLARED ENDS & 3' DEEP FOR DOWNSTREAM FLARED ENDS.



FLOWLINE ELEVATION OF INCOMING PIPES SHALL BE ONE (1) INCH HIGHER THAN THAT OF OUTGOING PIPE.

18" DIAMETER PIPE REQUIRES A 48" DIAMETER MANHOLE



- 7/28/05 CITY OF O'FALLON CMNTS
- 10/23/02 CITY OF O'FALLON CMNTS
- 8/12/02 CITY OF O'FALLON CMNTS

**SOUTHERNSIDE APARTMENTS**

**STORM DETAILS**

**JAMES ENGINEERING & SURVEYING CO., INC.**

ENGINEERS PLANNERS SURVEYORS

10811 BIG BEND BLVD. KIRKWOOD, MO 63122  
PHONE: (314) 822-1006 FAX: (314) 822-0006

PROJECT # 184025

N:\Engineering Projects\184025\dwg\021-22-STMOET.dwg 9/7/2005 4:13:00 PM CDT

PREPARED FOR:  
**HENNESSEY DEVELOPMENT**  
9904 CLAYTON RD.  
SUITE 122  
ST. LOUIS, MO. 63124  
PH. (314) 991-1248  
FAX (314) 991-0964

CITY OF O'FALLON FILE NO. 3101.01