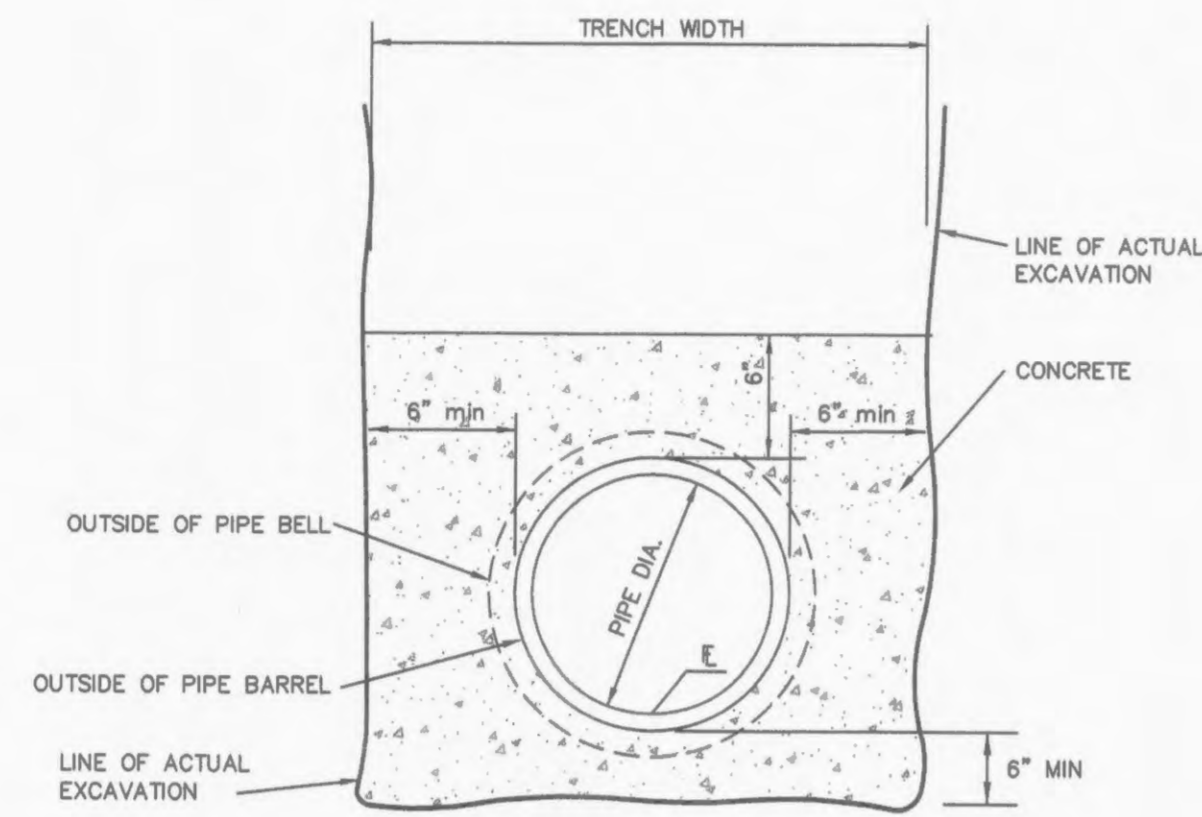
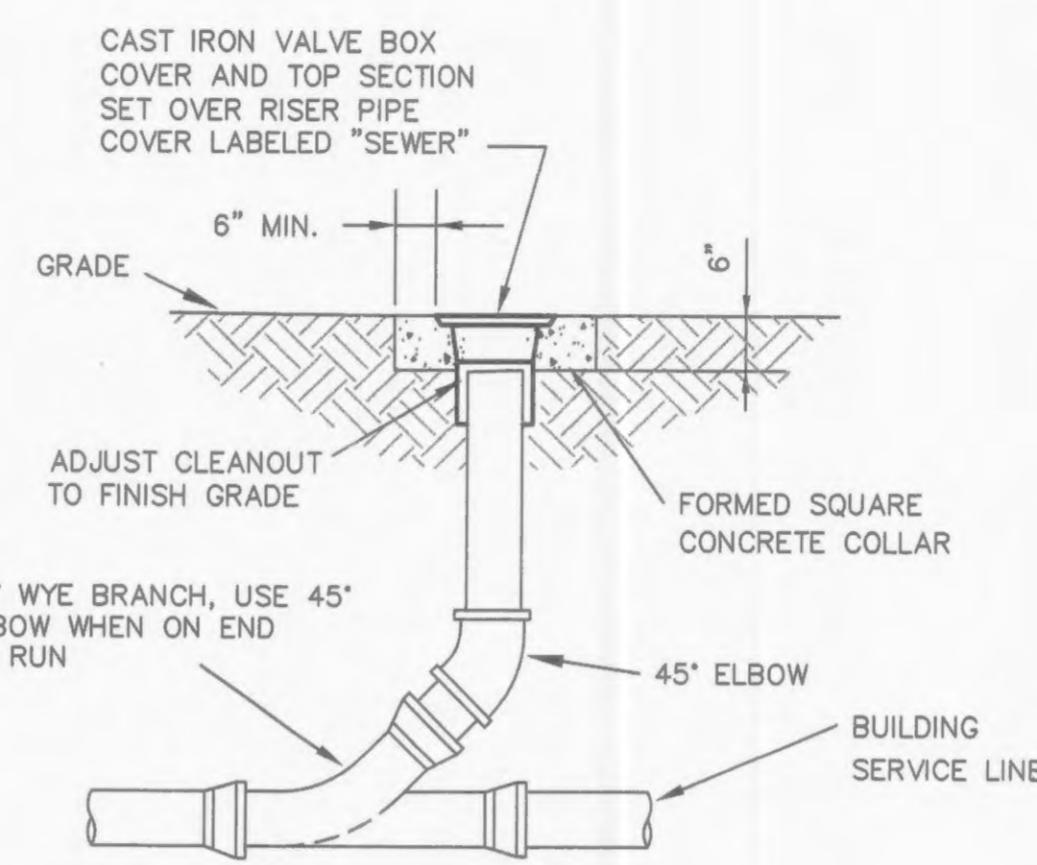


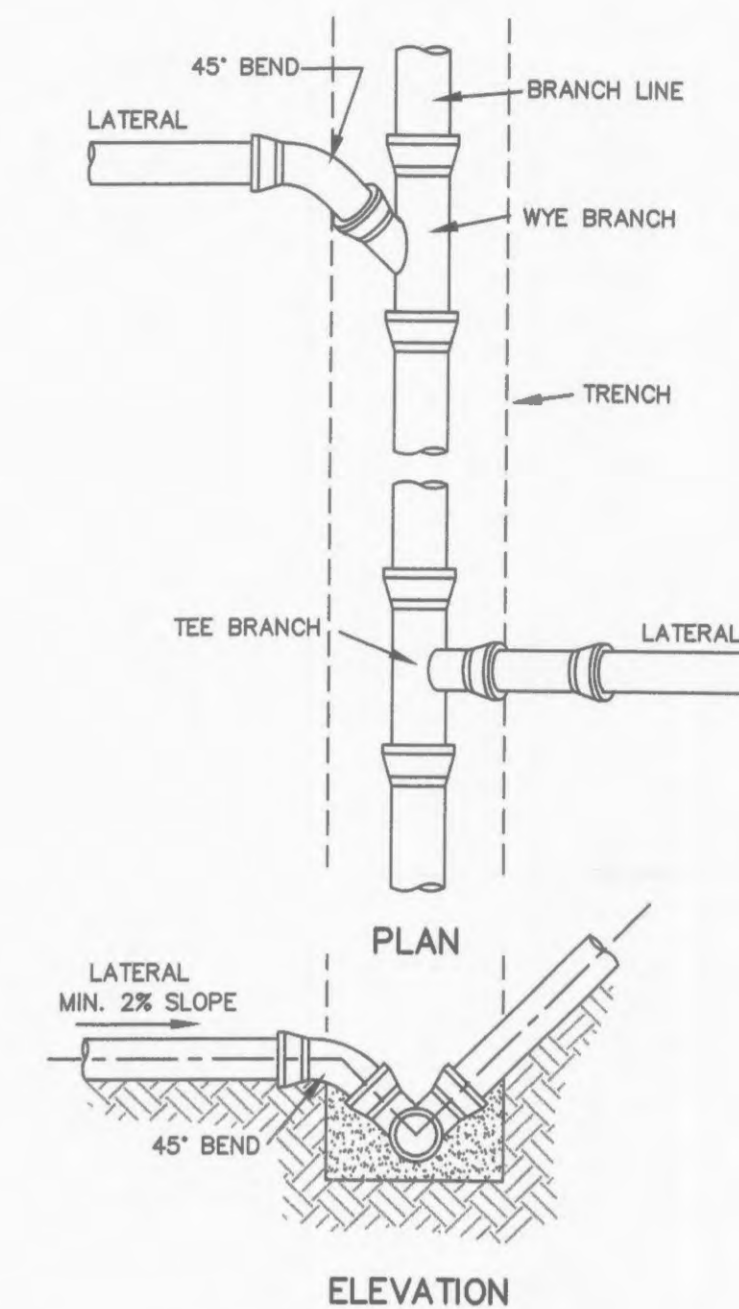
PIPE BEDDING CLASS "C"



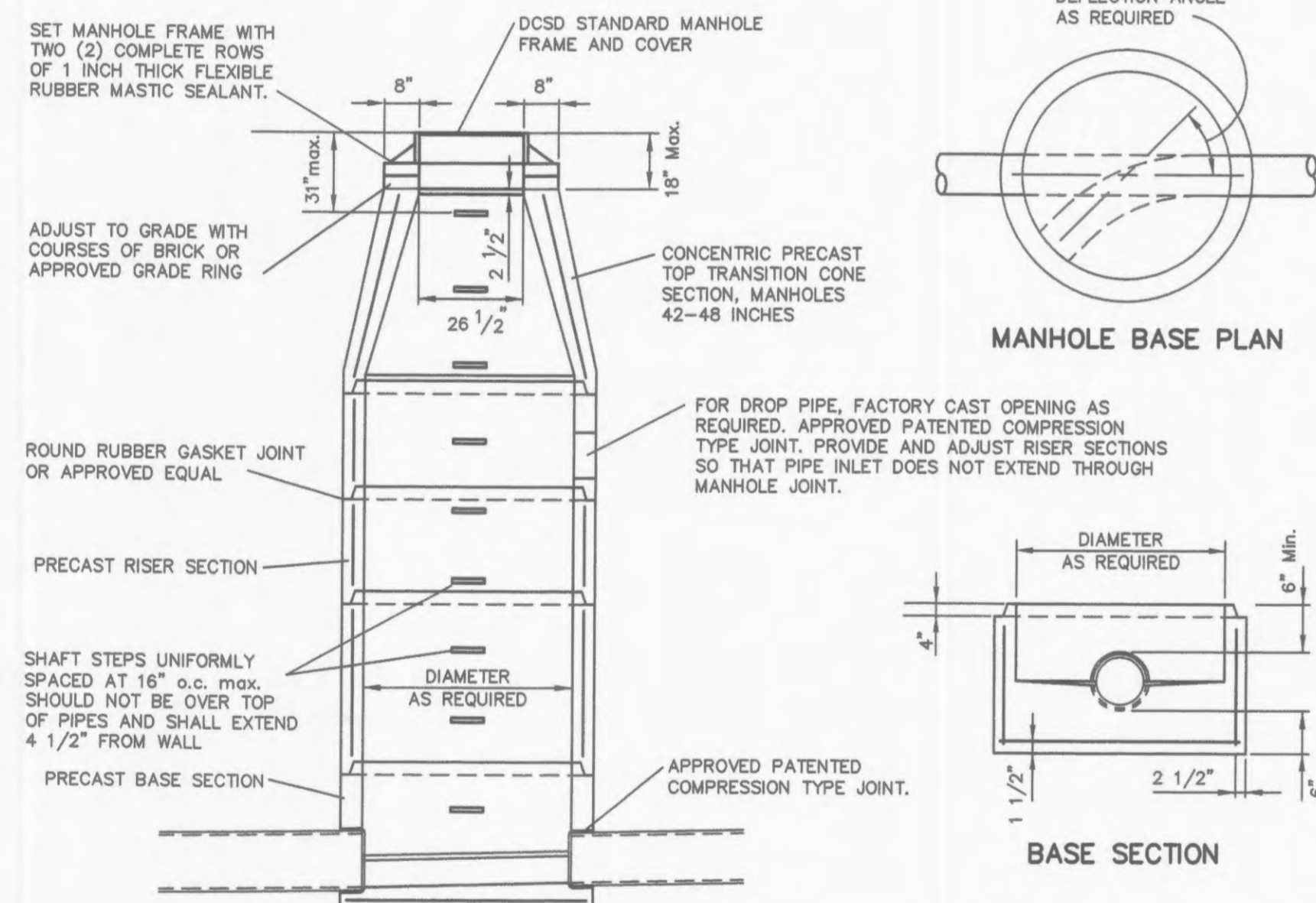
CONCRETE ENCASEMENT



SEWER CLEANOUT



TYP. LATERAL CONNECTION



MANHOLE BASE PLAN

BASE SECTION

- NOTES
1. THE MINIMUM INSIDE DIAMETER FOR THE BASE AND RISER SECTIONS SHALL BE 42 INCHES FOR 8 INCH DIAMETER SANITARY SEWERS AND ALL STORM SEWERS. THE MINIMUM INSIDE DIAMETER FOR SANITARY SEWER LARGER THAN 8 INCH DIAMETER IS 48 INCHES. MANHOLES SHALL MEET ASTM C-478 REQUIREMENTS.
 2. FLOWLINE ELEVATION OF INCOMING PIPES SHALL BE 1 INCH HIGHER THAN THAT OF OUTGOING PIPE.
 3. PIPE SIZES LARGER THAN 24 INCH DIAMETER MAY REQUIRE MANHOLE DIAMETERS OF 60 INCH, 72 INCH, OR 96 INCH AS DETERMINED BY OUTSIDE DIAMETERS AND ORIENTATION OF CONNECTING PIPES.
 4. ECCENTRIC CONES SHALL BE USED ON DIAMETERS 60 INCH AND LARGER. STEPS SHALL EXTEND DOWN VERTICAL WALL OF CONE.
 5. PRIOR TO FABRICATION, SHOP DRAWINGS SHALL BE SUBMITTED TO THE DISTRICT FOR APPROVAL OF MANHOLES ON PIPE DIAMETERS LARGER THAN 24 INCH AND ALSO THOSE STRUCTURES WITH A DROP PIPE CONNECTION.

PRECAST CONCRETE MANHOLE

SDR-35 x C900 BELL & BELL ADAPTERS

SIZE	CATALOG NO.	OD C900 SEWER	OD C900 SEWER	ID C900 SEWER	ID C900 SEWER	L	CTN QTY	CTN WT
4x4	337-040	4.80	4.215	4.86	4.25	10.0	1	4
6x6	337-060	6.90	6.275	6.96	6.32	11.13	1	8
8x8	337-080	9.05	8.400	9.13	8.45	12.50	1	15

Duckett Creek Sanitary District

SDR-35 x C900 BELL AND BELL 4", 6" & 8" ADAPTERS

Des. By: BSM App. By: KLA Detail No. 19C
 Cdr. By: MDOB Date: 1-3-01

NOTES:

1. GROUTED RIP-RAP IS REQUIRED AT ALL CREEK CROSSINGS WHERE THE EMBANKMENTS CROSSED ARE STEEPER THAN 1 VERTICAL TO 2 HORIZONTAL RATIO SLOPE; AND ALSO WHERE THERE IS 3 FEET OR LESS COVER OVER THE TOP OF THE SEWER MAIN.
2. PLACE RIP-RAP ON LOWER 3/4 OF SLOPE. GRADE UPPER 1/4 OF SLOPE AT 1 VERTICAL TO 2 HORIZONTAL SLOPE FOR 500 OR 1 VERTICAL TO 2.5 HORIZONTAL SLOPE FOR SEED AND STRAW.
3. RIP-RAP TO BE "MSD 5" GRADATION, MINIMUM 12" THICK, GROUTED WITH 8 SACK MIX, SAND-CEMENT SLURRY, BROOM FINISH.
4. INCORPORATE A 3 FEET DEEP TOE WALL ON EMBANKMENT'S UPPER EDGE OF RIP-RAP.
5. TOP SURFACE OF RIP-RAP SHOULD NOT BE HIGHER THAN ADJACENT GROUND SURFACE.
6. IF PIPE HAS LESS THAN 12" COVER, A PAVED CHANNEL MAY BE REQUIRED.
7. DUCTILE IRON PIPE IS REQUIRED WITHIN THE CREEK LIMITS.

Duckett Creek Sanitary District

TYPICAL CREEK CROSSING

Des. By: BSM App. By: KLA Detail No. 24
 Cdr. By: MDOB Date: 1-8-01



SOUTHERNSIDE APARTMENTS

SANITARY SEWER DETAILS

JAMES ENGINEERING & SURVEYING CO., INC.
ENGINEERS PLANNERS SURVEYORS

10811 BIG BEND BLVD. KIRKWOOD, MO 63122
PHONE: (314) 822-1006 FAX: (314) 822-0006

PROJECT # 184025

C30

PREPARED FOR:
HENNESSEY DEVELOPMENT
9904 CLAYTON RD.
SUITE 122
ST. LOUIS, MO. 63124
PH. (314) 991-1248
FAX (314) 991-0964

CITY OF O'FALLON FILE NO. 3101.01