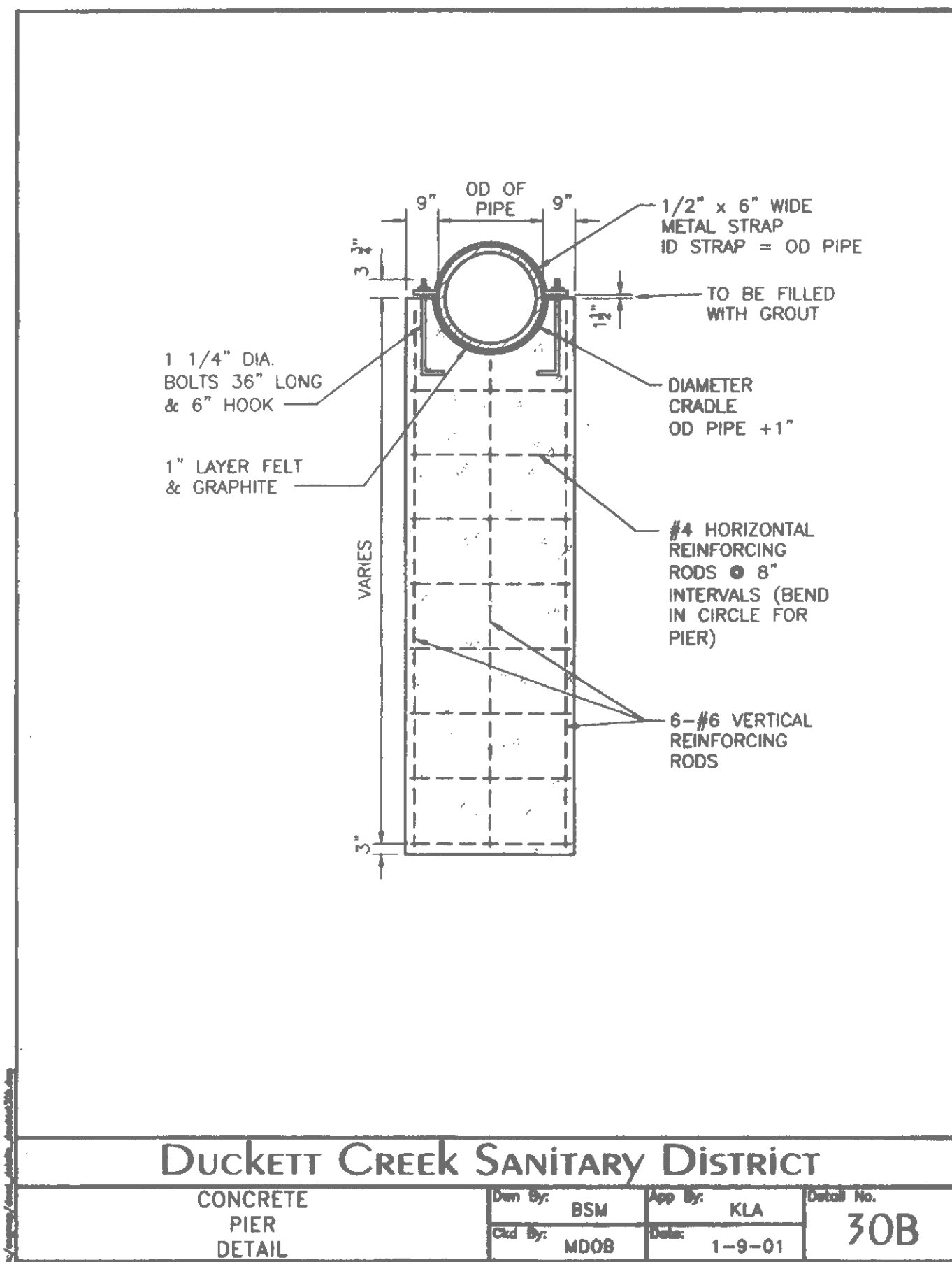


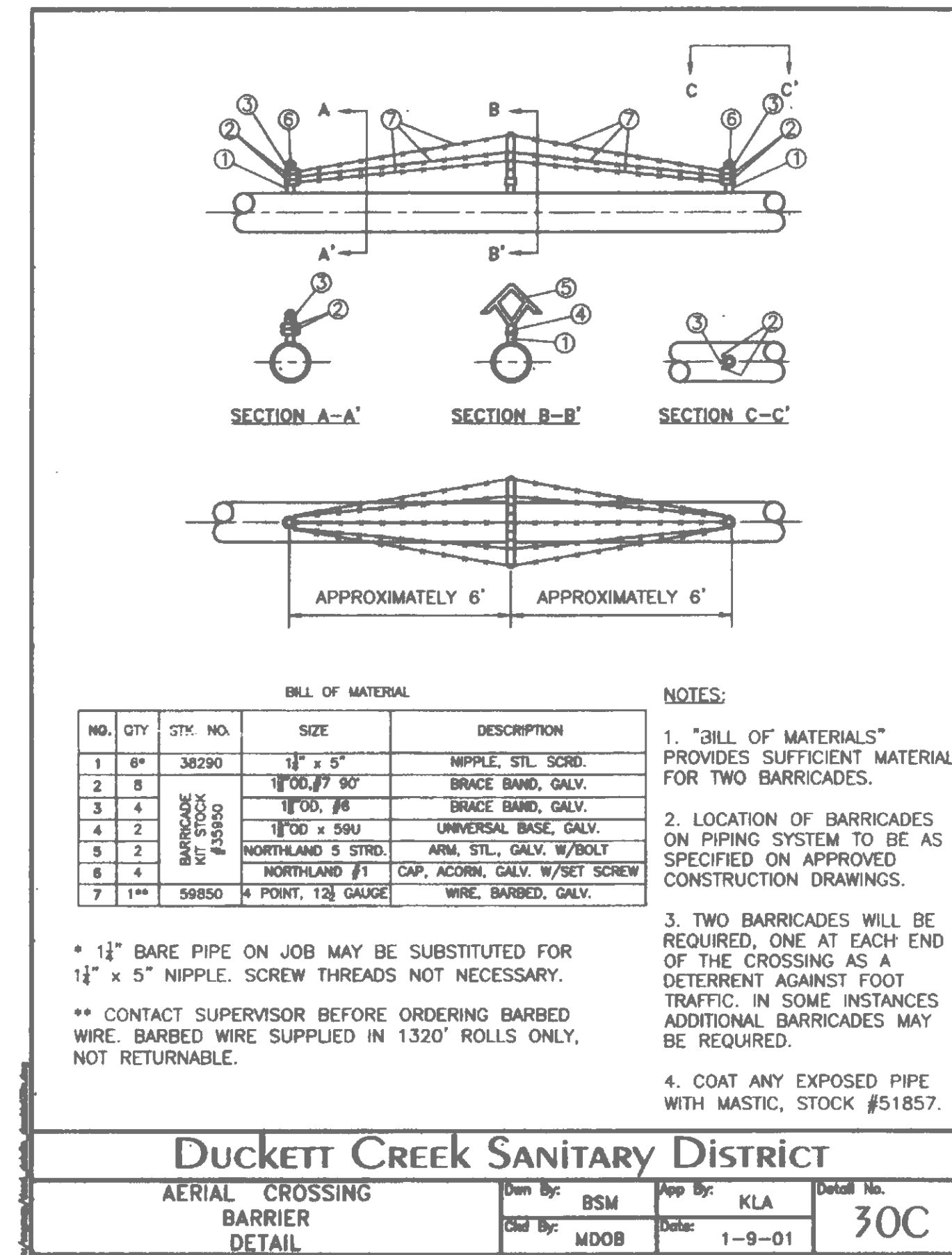
DUCKETT CREEK SANITARY DISTRICT
 AERIAL CREEK CROSSING
 DETAIL

Desn By: BSM	App By: KLA	Detail No. 30A
Chd By: MDOB	Date: 1-10-01	



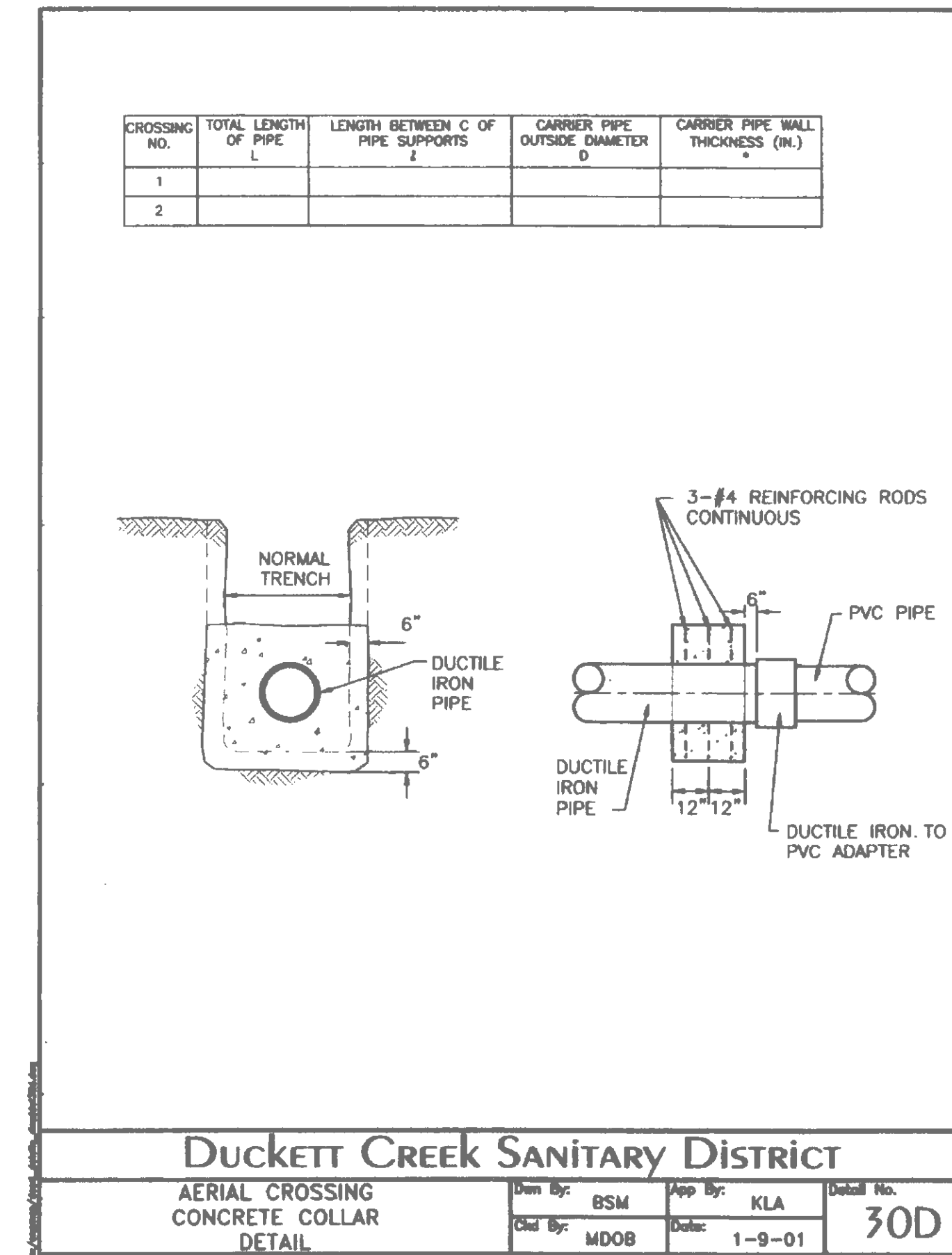
DUCKETT CREEK SANITARY DISTRICT
 CONCRETE PIER
 DETAIL

Desn By: BSM	App By: KLA	Detail No. 30B
Chd By: MDOB	Date: 1-9-01	



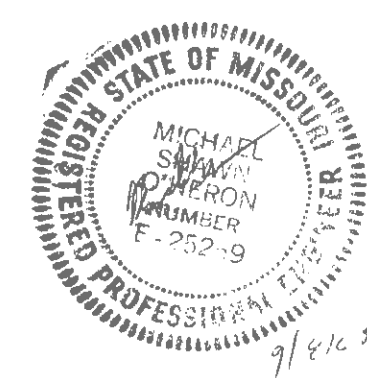
DUCKETT CREEK SANITARY DISTRICT
 AERIAL CROSSING BARRIER
 DETAIL

Desn By: BSM	App By: KLA	Detail No. 30C
Chd By: MDOB	Date: 1-9-01	



DUCKETT CREEK SANITARY DISTRICT
 AERIAL CROSSING CONCRETE COLLAR
 DETAIL

Desn By: BSM	App By: KLA	Detail No. 30D
Chd By: MDOB	Date: 1-9-01	



SOUTHERNSIDE APARTMENTS
 SANITARY SEWER DETAILS

JAMES ENGINEERING & SURVEYING CO., INC.
 ENGINEERS PLANNERS SURVEYORS
 10811 BIG BEND BLVD. KIRKWOOD, MO 63122
 PHONE: (314) 822-1006 FAX: (314) 822-0006

PROJECT # 184025

PREPARED FOR:
 HENNESSEY DEVELOPMENT
 9904 CLAYTON RD.
 SUITE 122
 ST. LOUIS, MO. 63124
 PH. (314) 991-1248
 FAX (314) 991-0964

CITY OF O'FALLON FILE NO. 3101.01

REV. 8/27/02 PER DUCKETT CREEK CMNTS
 REV. 8/12/02 PER CITY OF O'FALLON CMNTS