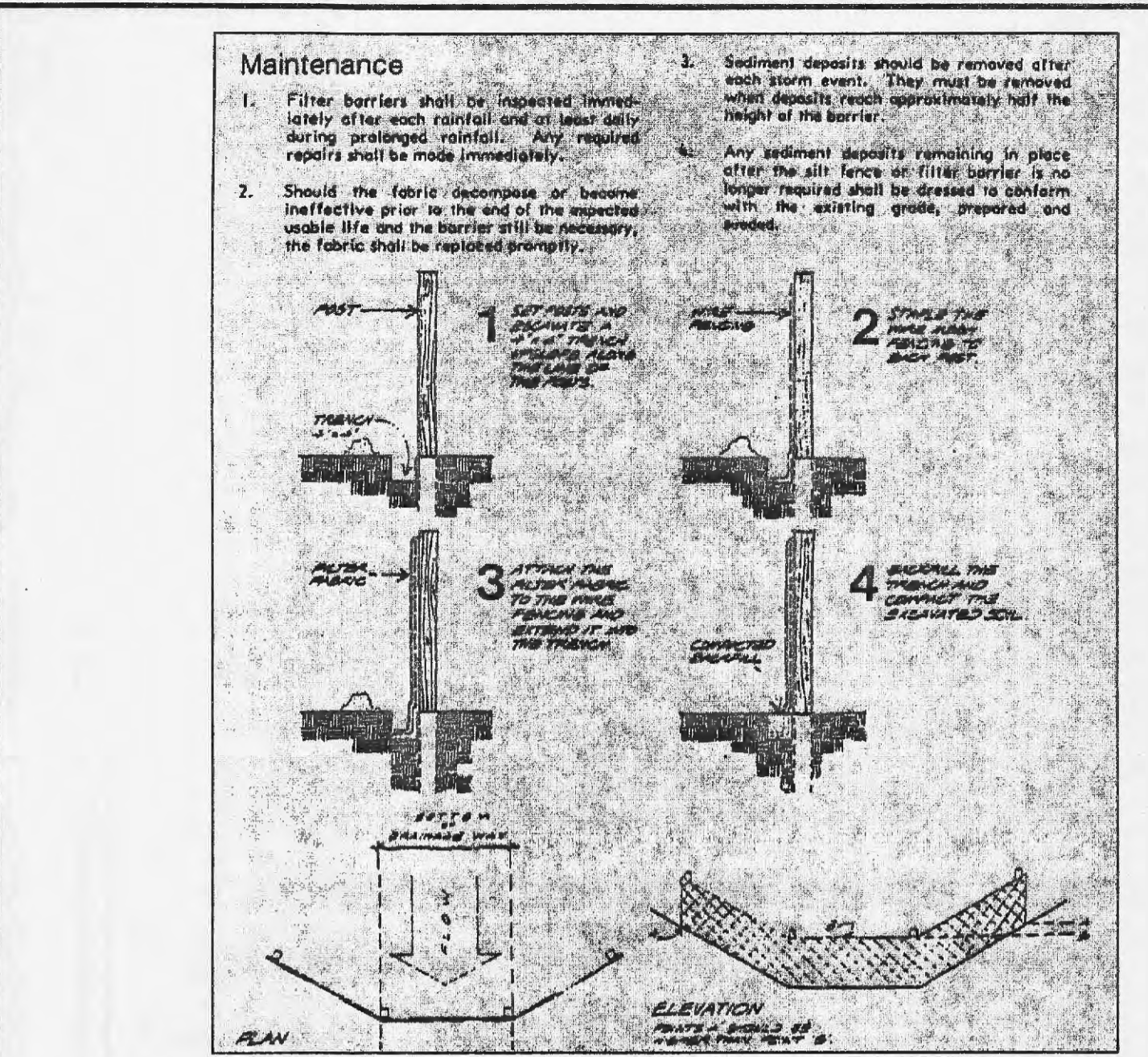
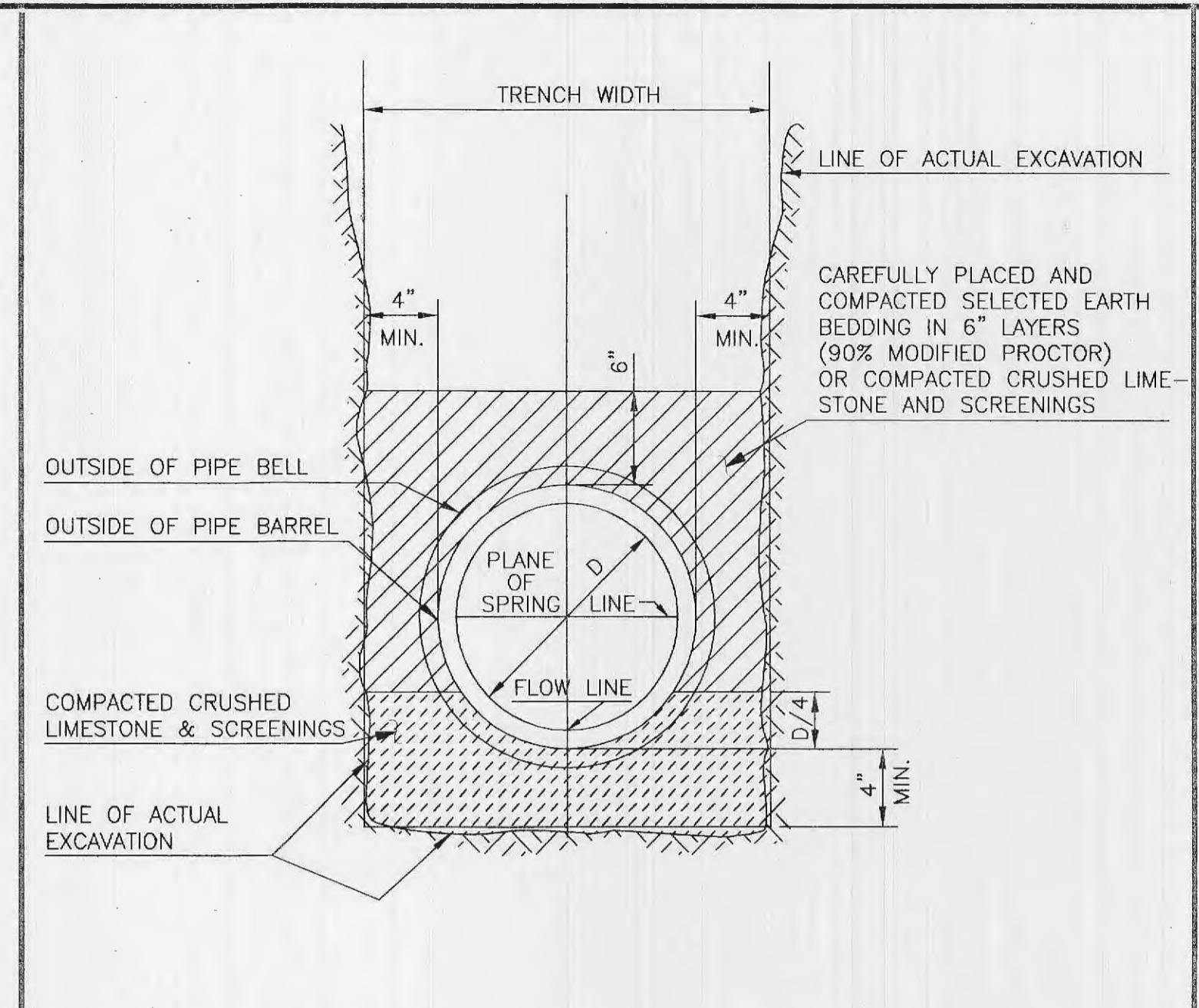


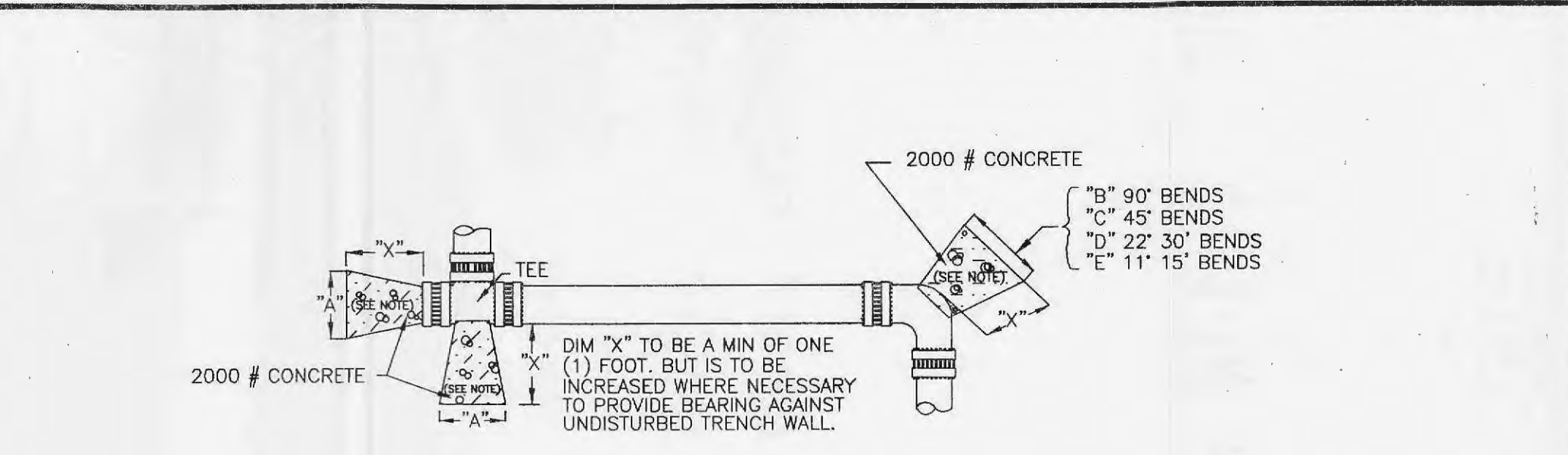
11 RAMP AT LOADING ZONE DETAIL
SCALE: N.T.S. REF. DWG. C2



8 SILT FENCE DETAIL
SCALE: N.T.S. REF. DWG. C3



13 PIPE BEDDING DETAIL (PVC)
SCALE: N.T.S. REF. DWG. C4

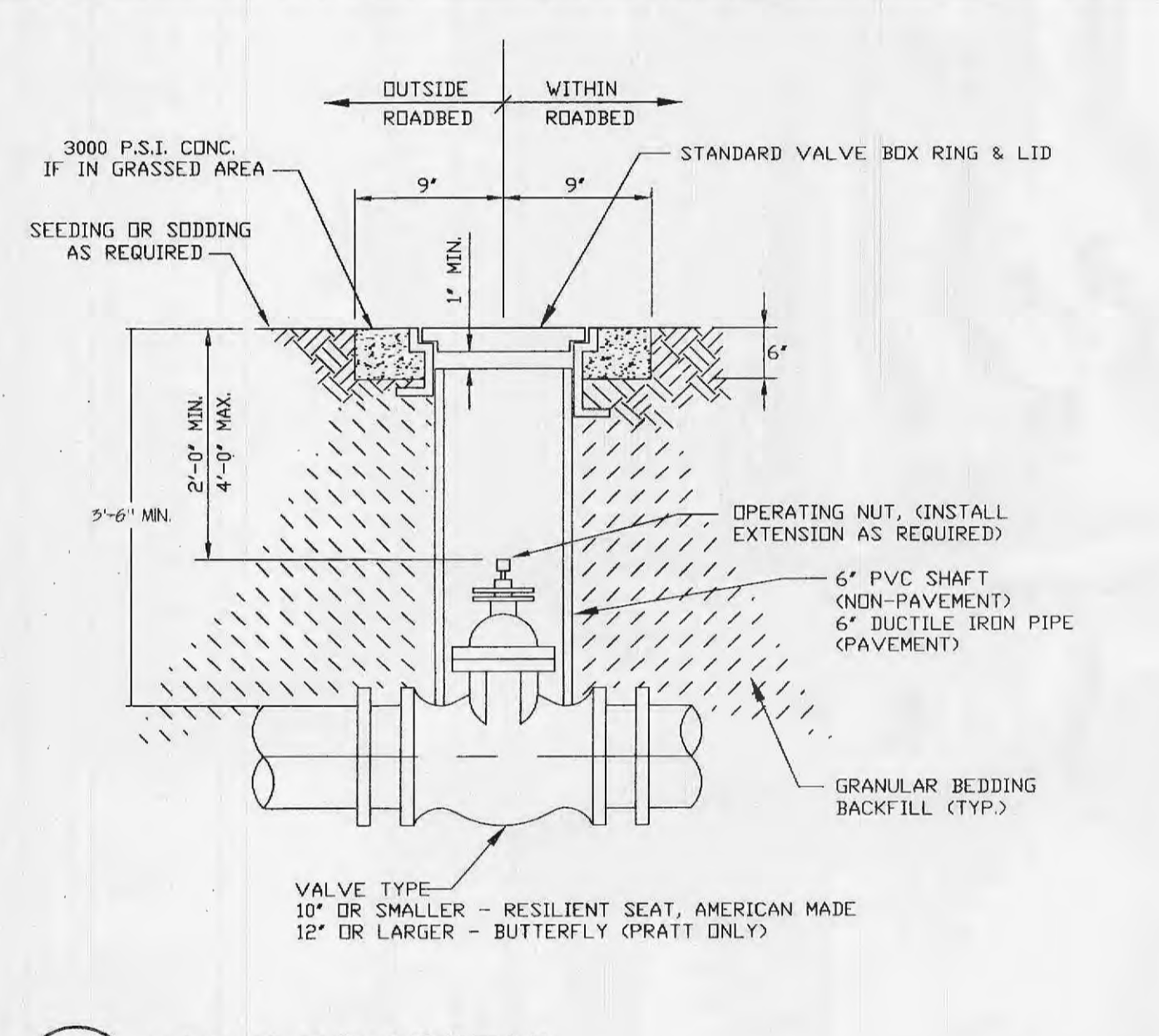


HORIZONTAL BLOCKING TABLE

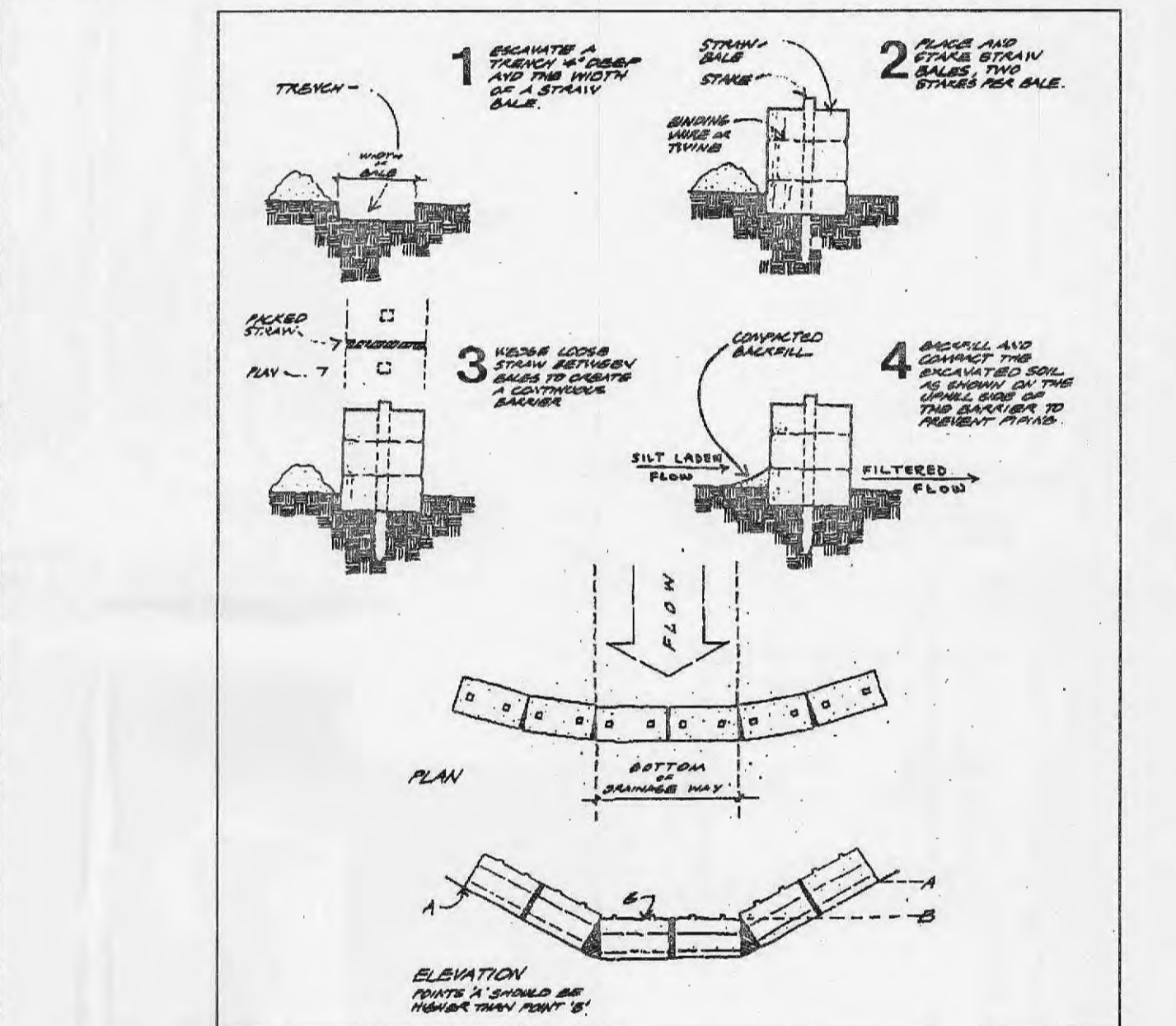
PIPE SIZE	"X" DIM.	PLUGS & TEES		90° BENDS		5° BENDS		22° 30' BENDS		11° 5' BENDS	
		"A" MIN. AREA	MAX. VOL.	"B" MIN. AREA	MAX. VOL.	"C" MIN. AREA	MAX. VOL.	"D" MIN. AREA	MAX. VOL.	"E" MIN. AREA	MAX. VOL.
4"	1'-0"	1'-0"	.83 .05	1'-0"	.83 .05	1'-0"	.83 .05	1'-0"	.83 .05	1'-0"	.83 .05
6"	1'-6"	1'-0"	1.06 .06	1'-2"	1.50 .09	1'-0"	.83 .05	1'-0"	.83 .05	1'-0"	.83 .05
8"	1'-6"	1'-3"	1.89 .11	1'-6"	2.66 .15	1'-3"	1.44 .08	1'-0"	.83 .05	1'-0"	.83 .05
10"	1'-6"	1'-9"	2.95 .17	2'-0"	4.17 .24	1'-6"	2.26 .13	1'-3"	1.15 .07	1'-0"	.83 .05
12"	1'-6"	2'-0"	4.25 .24	2'-3"	6.00 .34	1'-9"	3.25 .18	1'-3"	1.65 .10	1'-0"	.83 .05
16"	2'-0"	2'-7"	7.54 .56	3'-0"	10.65 .79	2'-3"	5.76 .43	1'-8"	2.94 .22	1'-2"	1.48 .11
18"	2'-0"	2'-11"	7.70 .57	3'-5"	10.89 .82	2'-6"	5.89 .44	1'-10"	3.01 .22	1'-5"	1.51 .11
20"	2'-0"	3'-3"	7.86 .59	3'-9"	11.12 .84	2'-9"	6.01 .45	2'-0"	3.07 .23	1'-7"	1.54 .12
24"	6'-0"	3'-8"	11.33 .84	4'-3"	16.00 1.20	3'-2"	8.65 .65	2'-0"	4.42 .33	1'-10"	2.22 .17

* CALCULATIONS IN MIN. AREA COLUMN ARE IN SQ. FT.
+ CALCULATIONS IN MAX. AREA COLUMN ARE IN CUBIC YARDS.

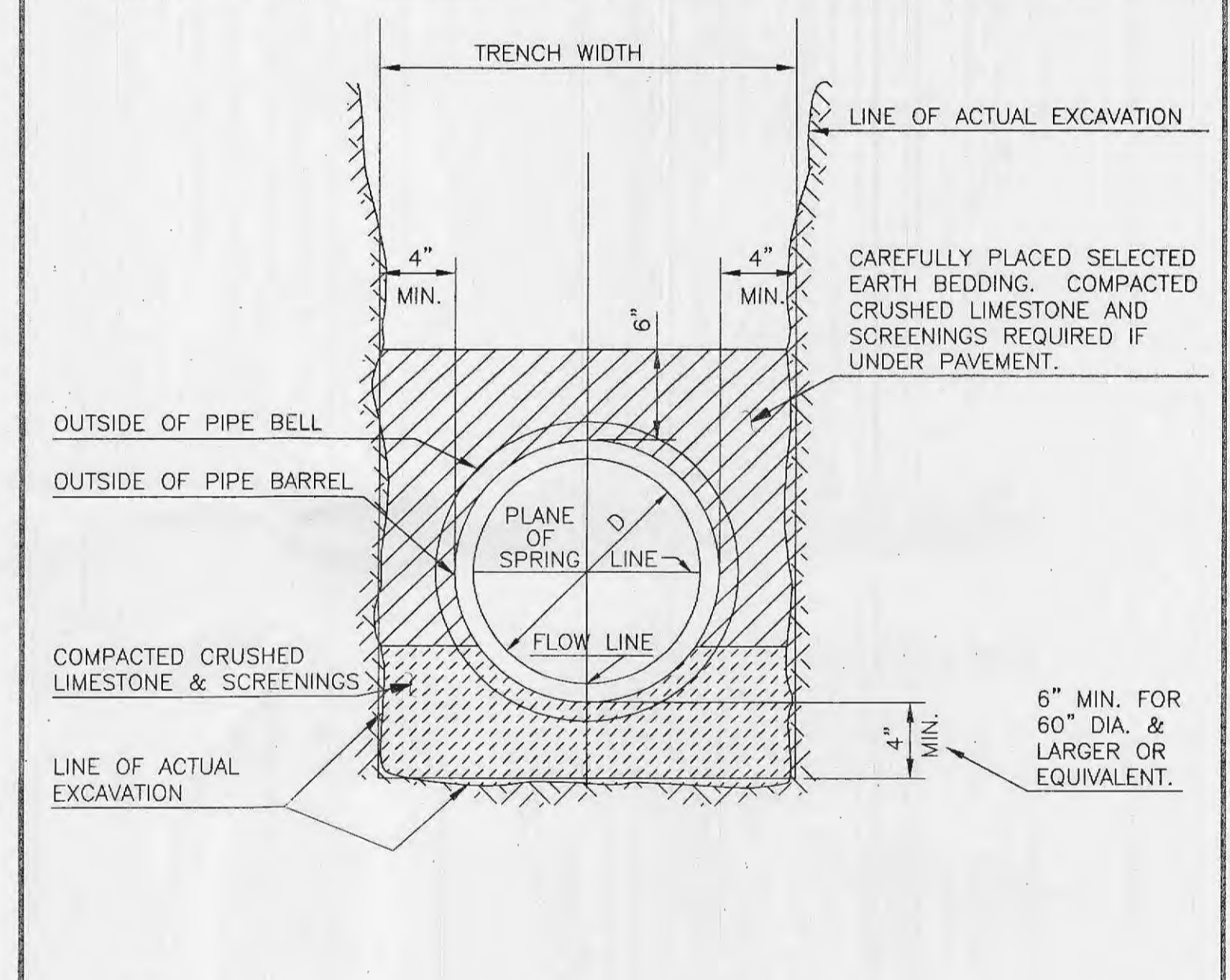
2 THRUST BLOCK DETAILS
SCALE: N.T.S. REF. DWG. C4



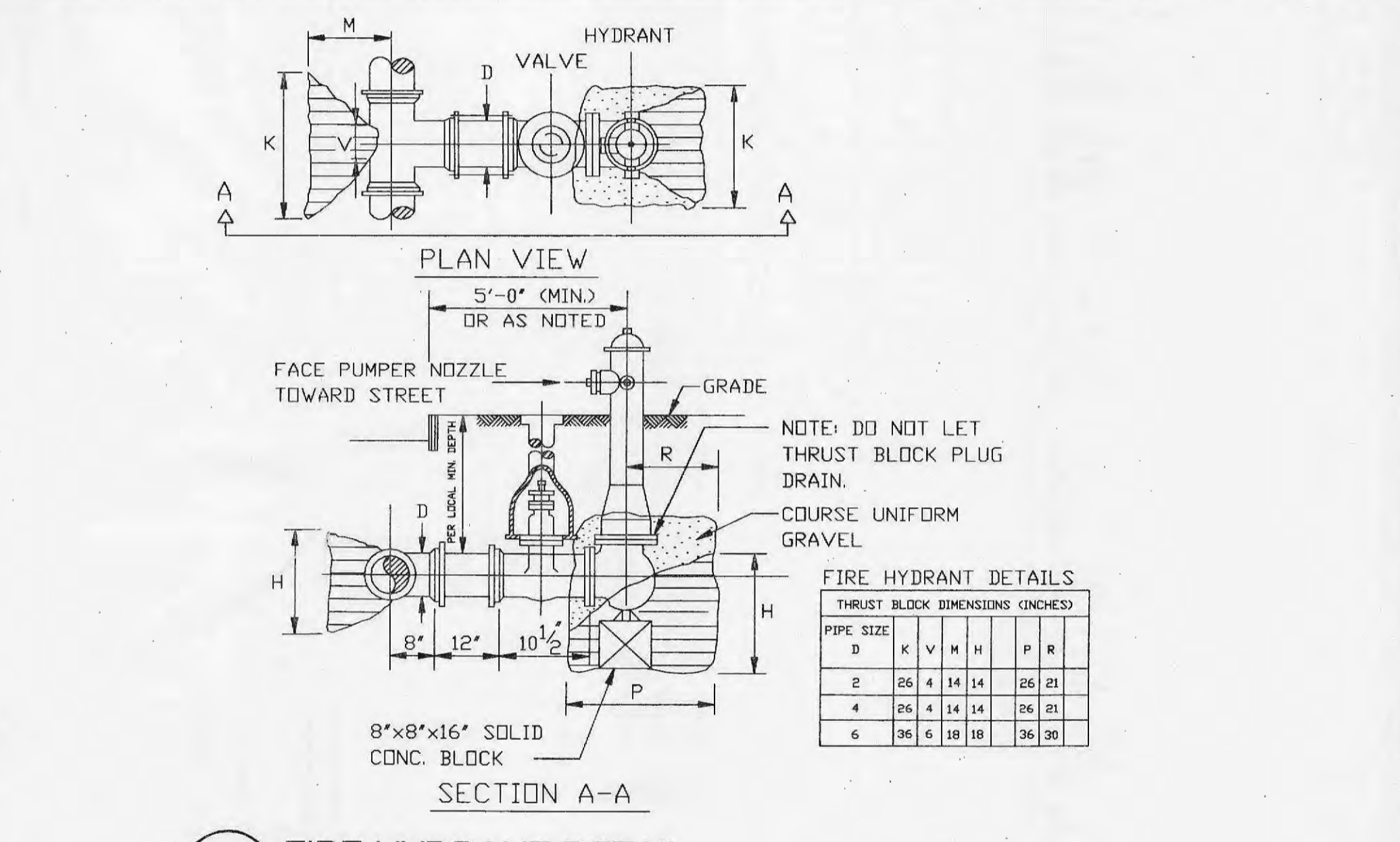
10 VALVE BOX DETAIL
SCALE: N.T.S. REF. DWG. C4



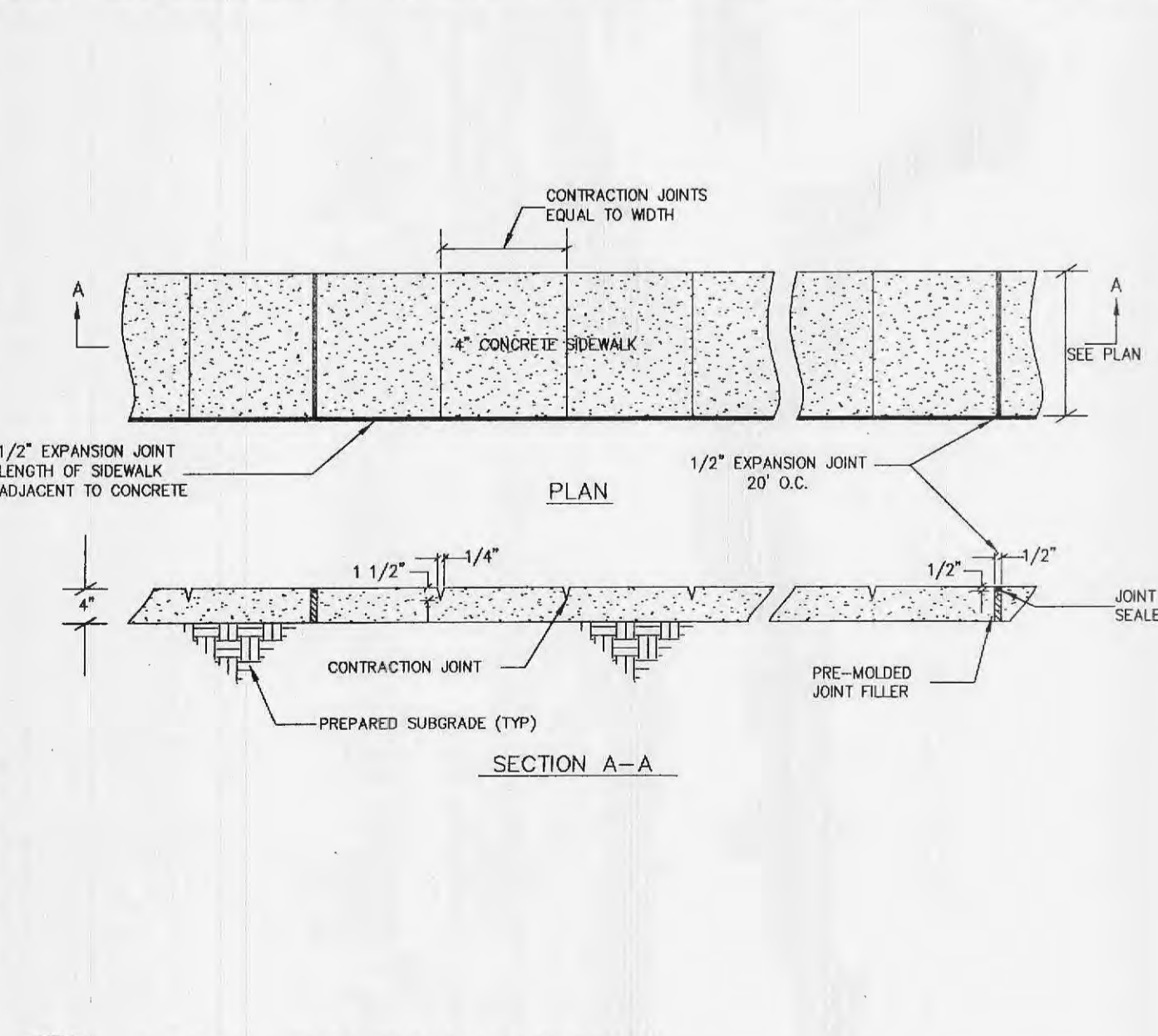
7 STRAW BALE DETAIL
SCALE: N.T.S. REF. DWG. C3



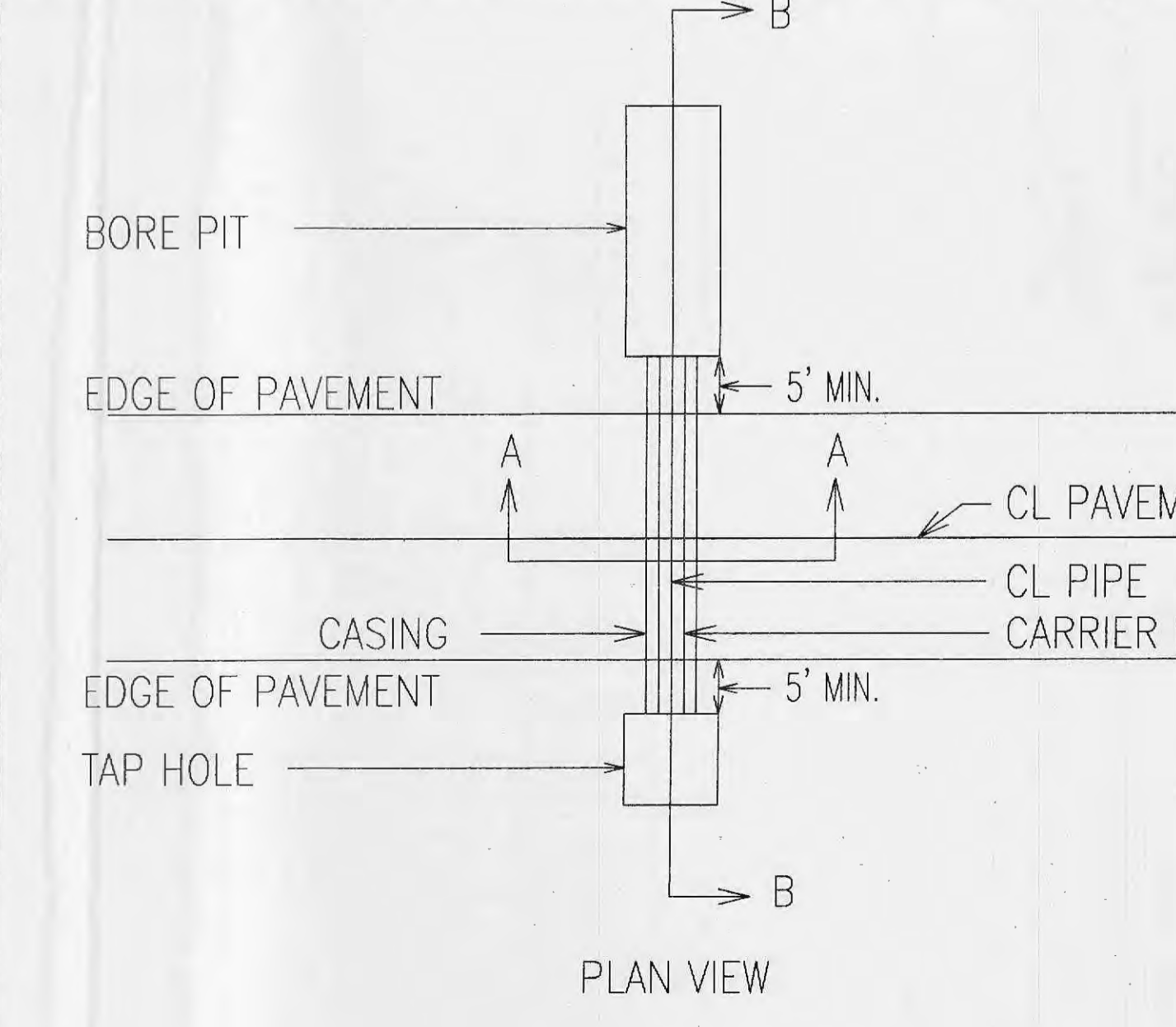
4 PIPE BEDDING DETAIL (RCP)
SCALE: N.T.S. REF. DWG. C4



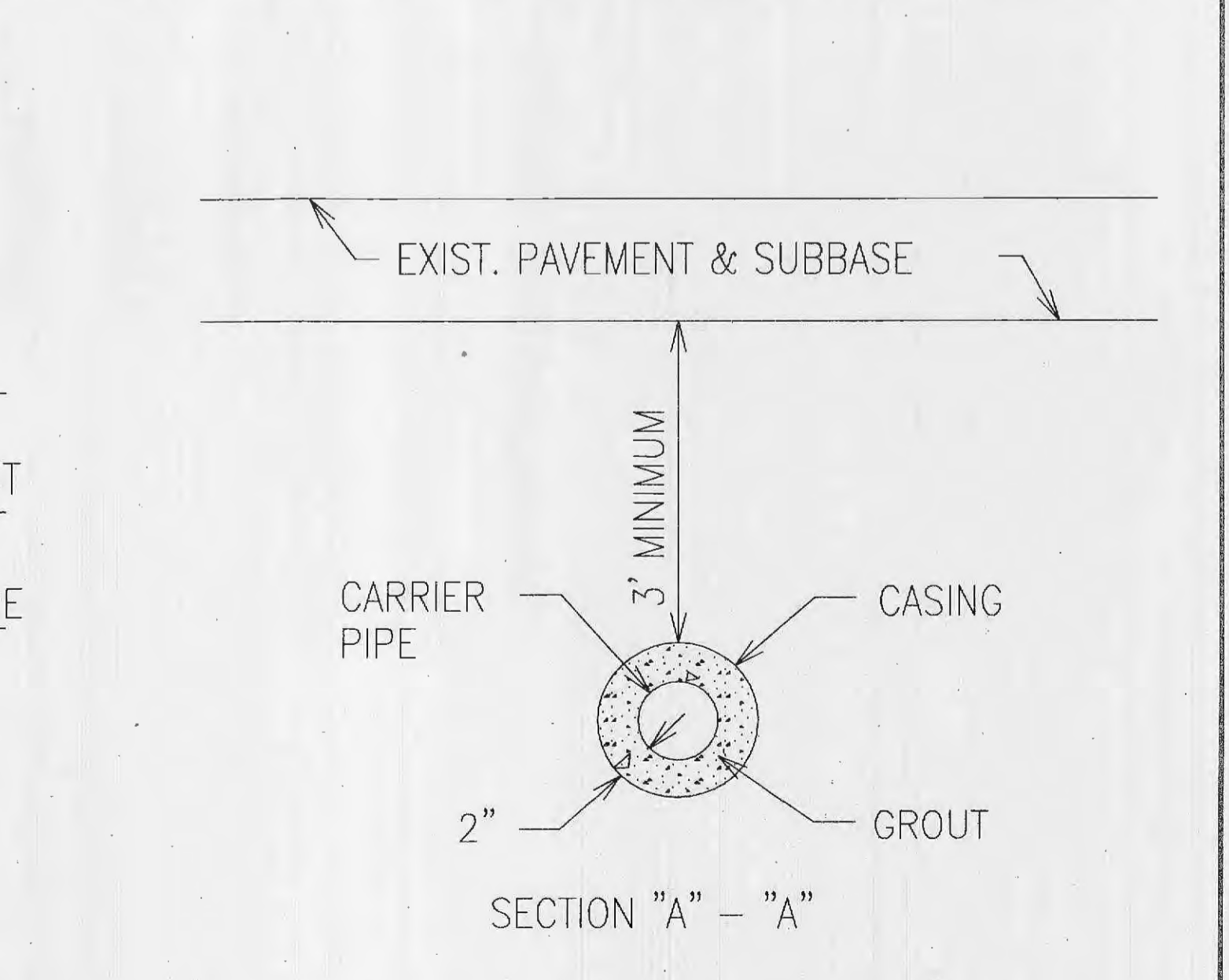
1 FIRE HYDRANT DETAIL
SCALE: N.T.S. REF. DWG. C4



9 CONC. SIDEWALK DETAIL
SCALE: N.T.S. REF. DWG. C2



3 BORING DETAIL
SCALE: N.T.S. REF. DWG. C4



3 BORING DETAIL
SCALE: N.T.S. REF. DWG. C4

THE SPA AT WINGHAVEN
SITE DETAILS
Cole & Associates Inc.
Planning - Civil Engineering - Land Surveying
10777 Sunset Office Drive, Suite 10
St. Louis, MO 63127 (314) 984-9887 FAX: 984-0587

Checked By	Drawn By	Project Number	Date	Sheet Number
JFH	BDG	02-245	02/25/03	C6

Revisions: Δ CITY REVIEW COMMENTS 4/10/03

THE PROFESSIONAL WHOSE SIGNATURE AND PERSONAL SEAL APPEAR HEREON ASSUMES RESPONSIBILITY ONLY FOR WHAT APPEARS ON THIS PAGE, AND DISCLAIMS (PURSUANT TO SECTION 327.411 RSMo) ANY RESPONSIBILITY FOR ALL OTHER PLANS, SPECIFICATIONS, ESTIMATES, REPORTS, OR OTHER DOCUMENTS OR INSTRUMENTS NOT SEALED BY THE UNDERSIGNED PROFESSIONAL RELATING TO, OR INTENDED TO BE USED FOR, ANY PART OR PARTS OF THE PROJECT TO WHICH THIS PAGE REFERS.

FILE # 98316.46