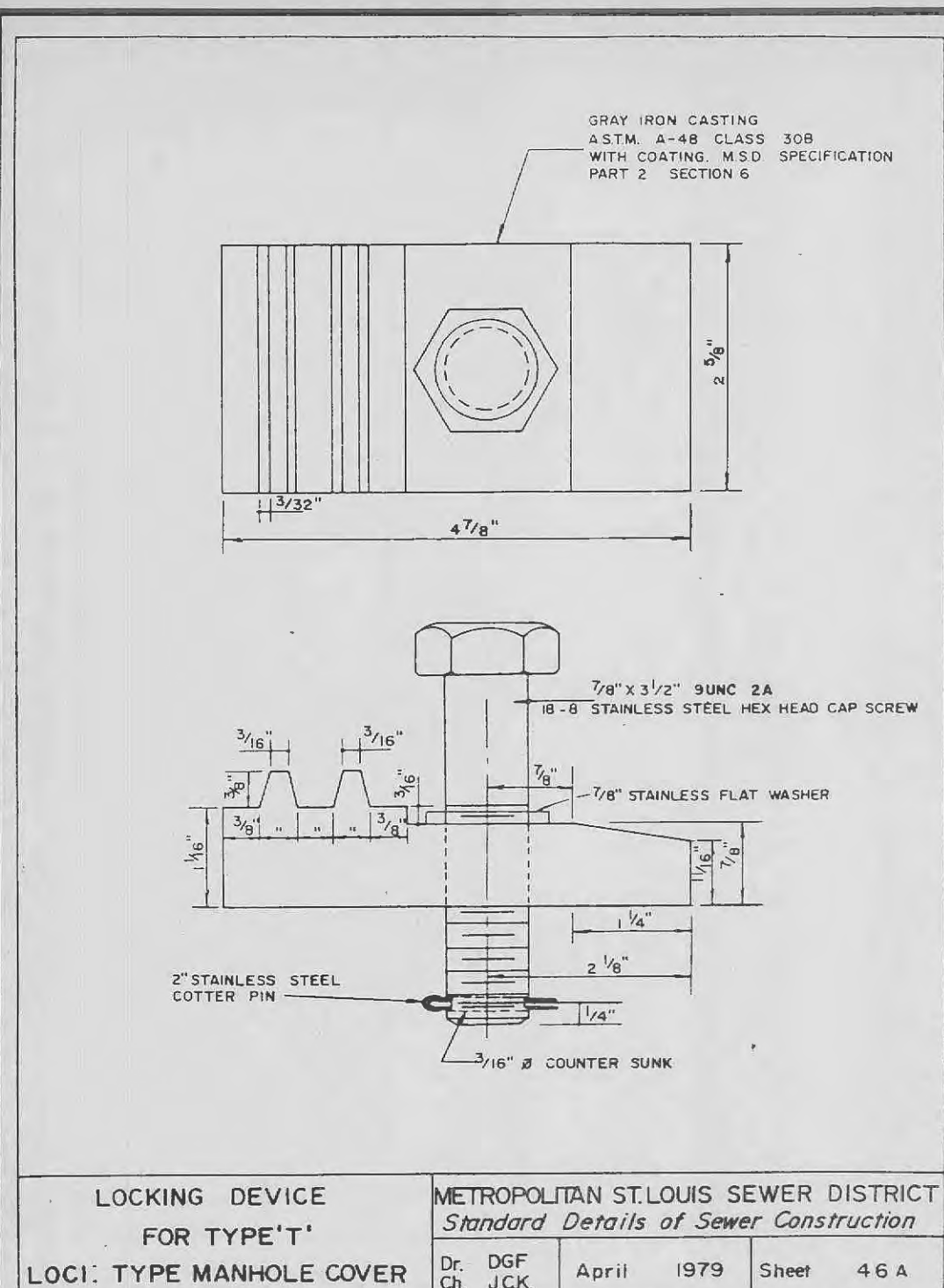


**CAST IRON MANHOLE COVERS (LOCK TYPE)**

**METROPOLITAN ST. LOUIS SEWER DISTRICT**  
Standard Details of Sewer Construction

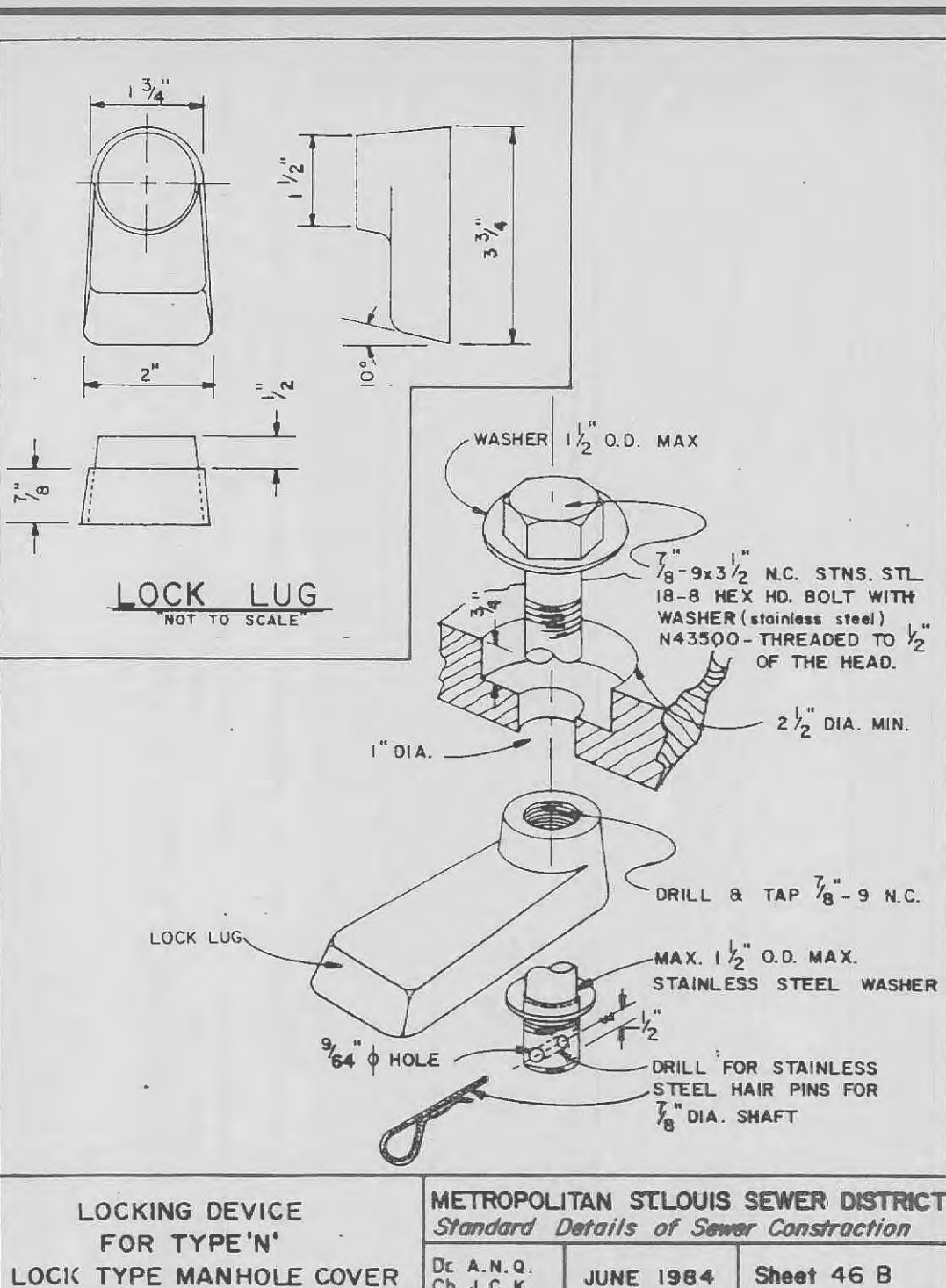
Dr. R.J.S. Ch. J.C.K. April 1984 Sheet 46



**LOCKING DEVICE FOR TYPE 'I'**

**METROPOLITAN ST. LOUIS SEWER DISTRICT**  
Standard Details of Sewer Construction

Dr. D.G.F. Ch. J.C.K. April 1979 Sheet 46 A



**LOCKING DEVICE FOR TYPE 'N'**

**METROPOLITAN ST. LOUIS SEWER DISTRICT**  
Standard Details of Sewer Construction

Dr. A.N.Q. Ch. J.C.K. JUNE 1984 Sheet 46 B

