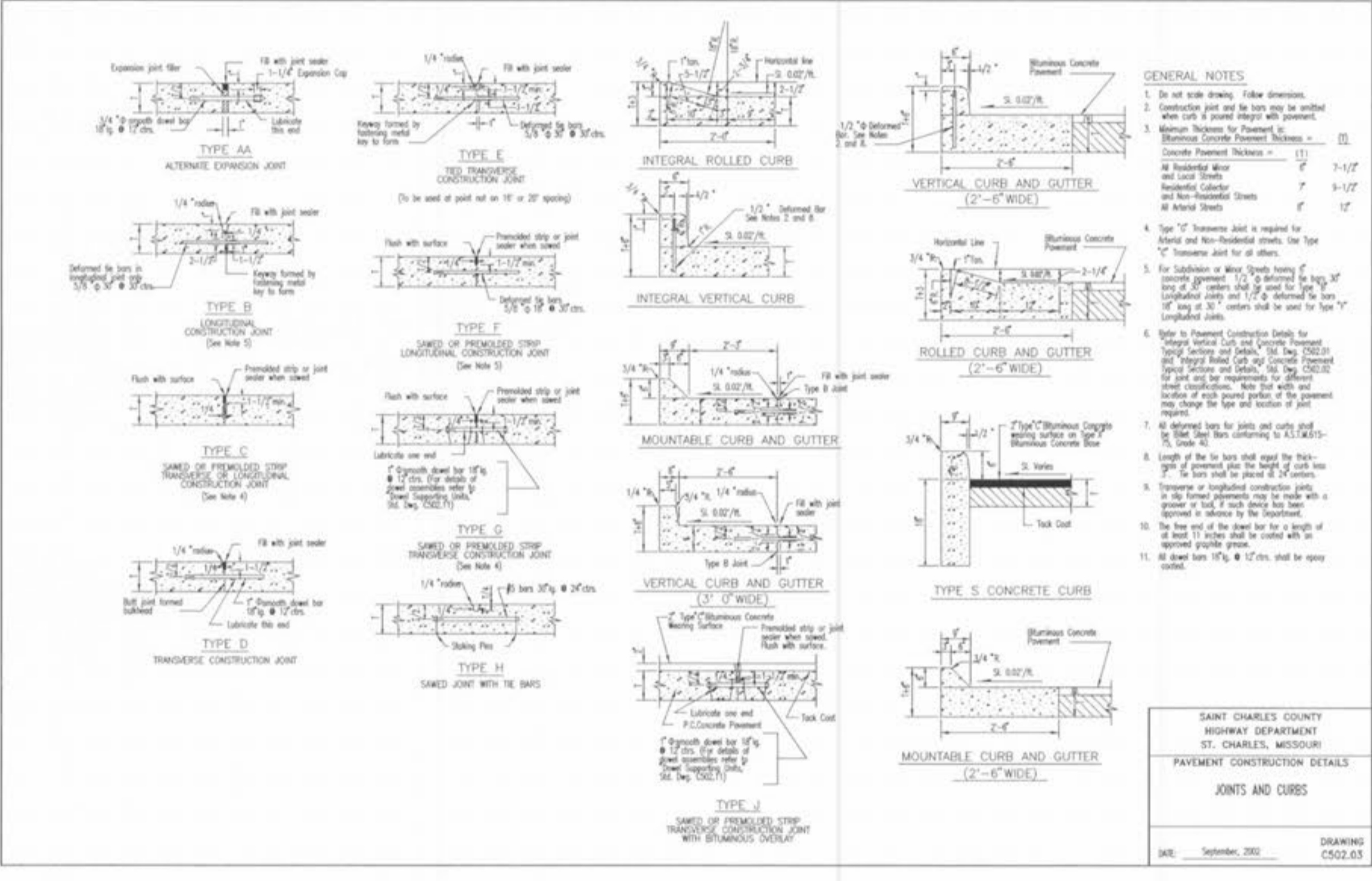
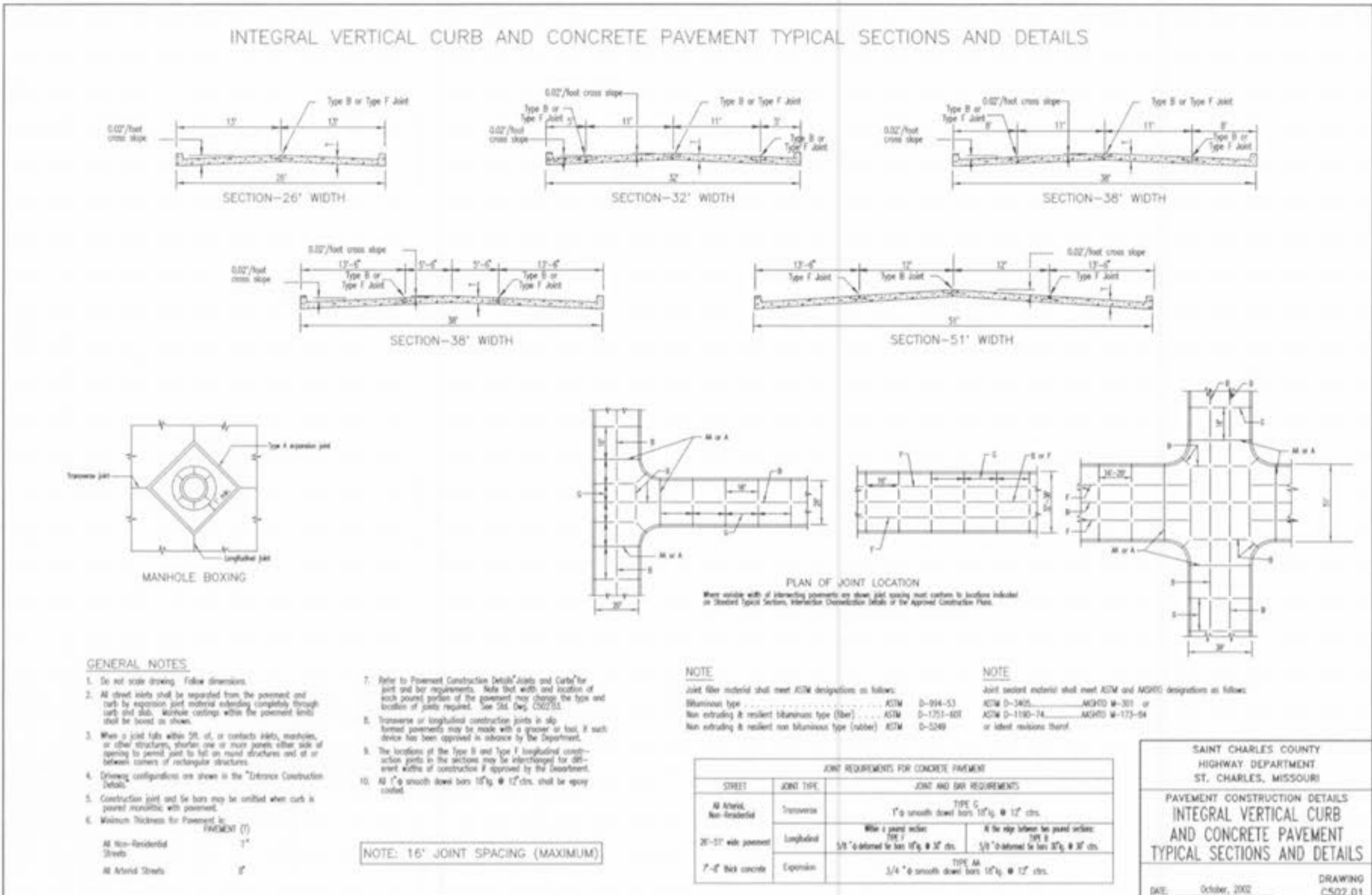
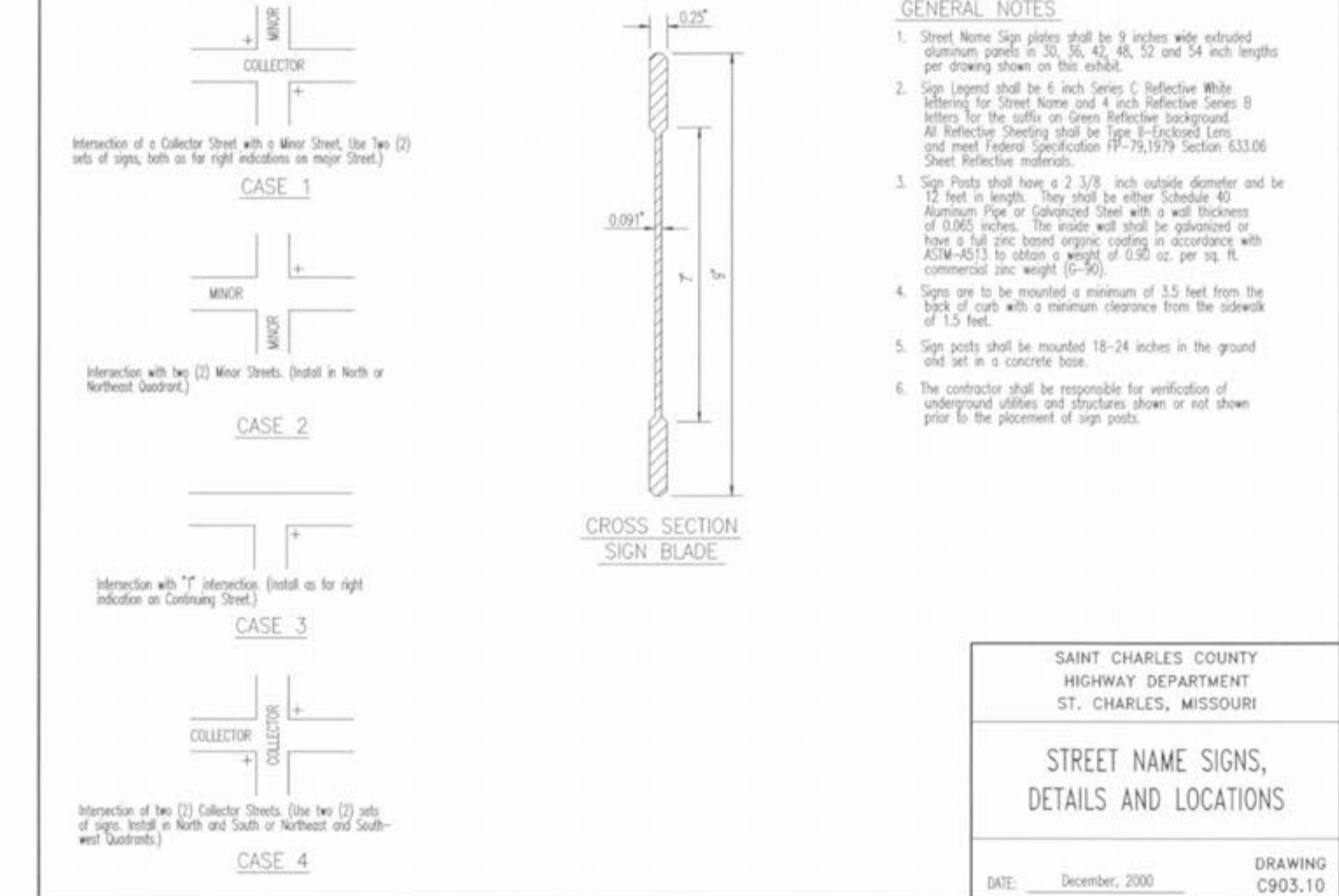
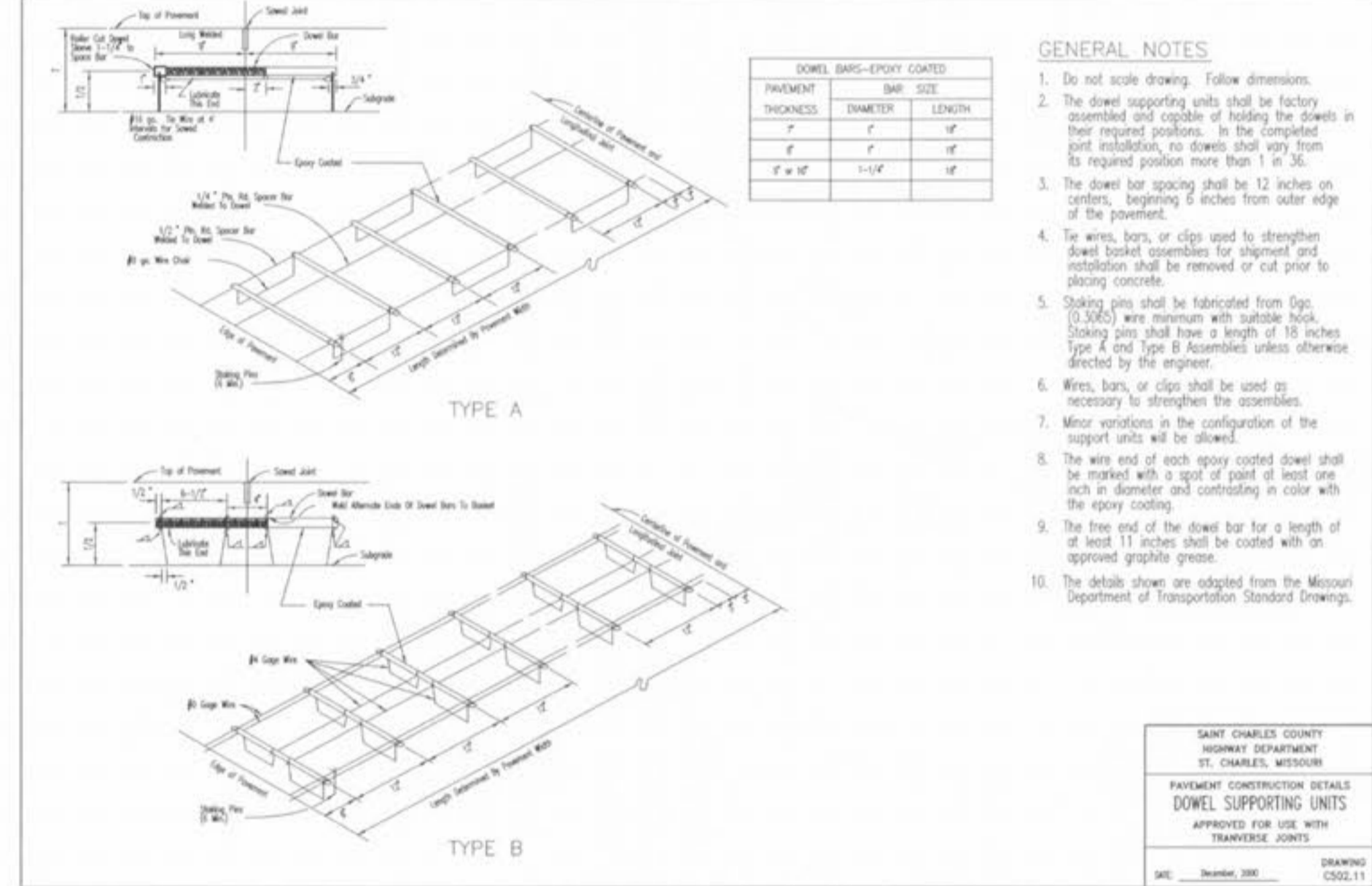
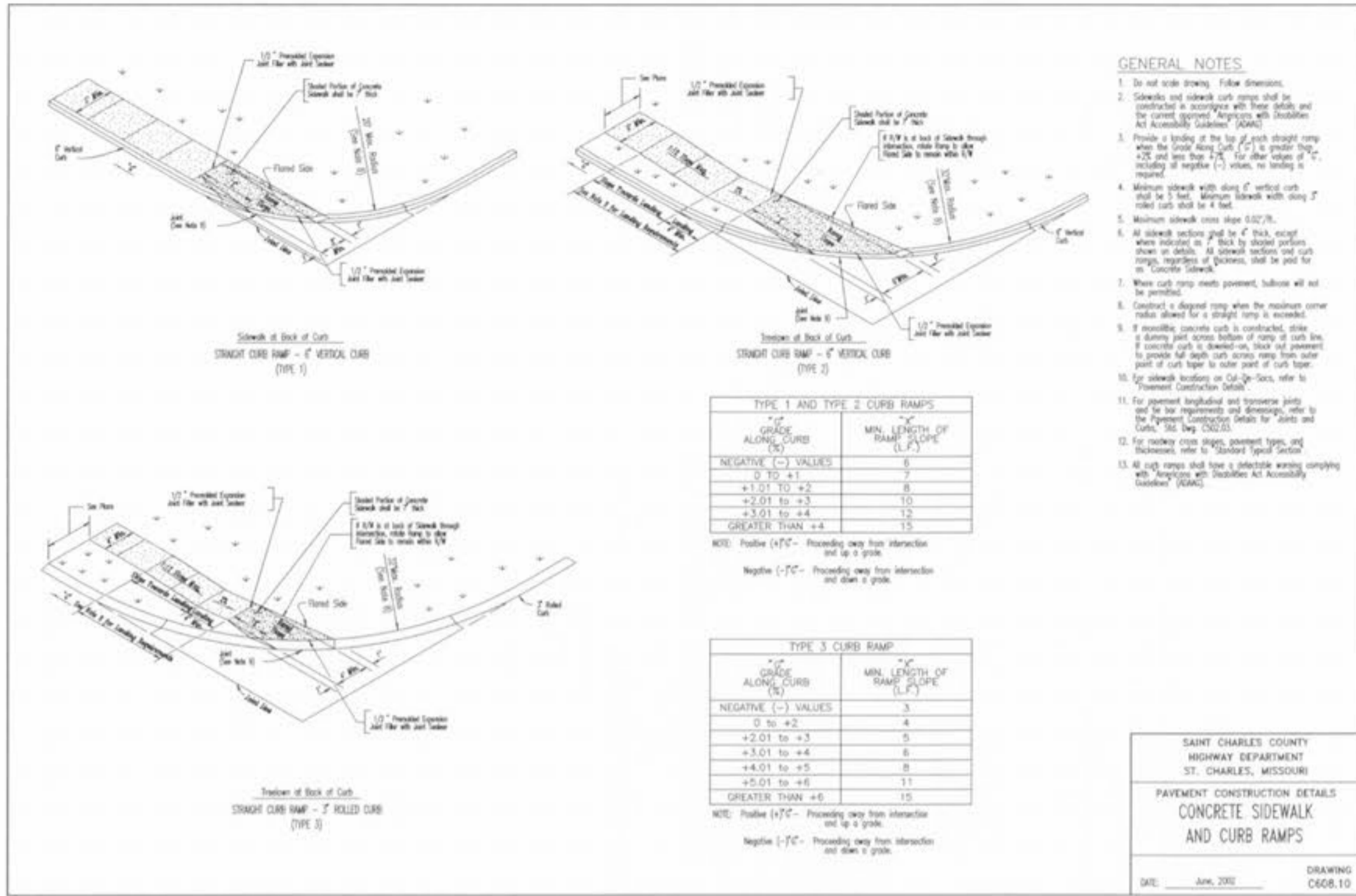


NOTE:  
USE 96\"/>



05/02/2006 - REVISED PER CITY & MoDOT COMMENTS  
04/07/2006 - REVISED PER CITY & MoDOT COMMENTS  
02/23/2006 - REVISED PER CITY COMMENTS

**SPRINGHURST PARKWAY ROAD PLANS**  
STANDARD DETAILS

**STOCK & ASSOCIATES**  
Consulting Engineers, Inc.

257 Chesterfield Business Parkway  
St. Louis, MO 63005  
PH: (636) 530-9100  
FAX: (636) 530-9130  
e-mail: general@stockassoc.com  
Web: www.stockassoc.com

GEORGE M. STOCK E-25116  
A.C.D. 12/14/05 D.P.B. 12/14/05 205-3705 C6 of 11