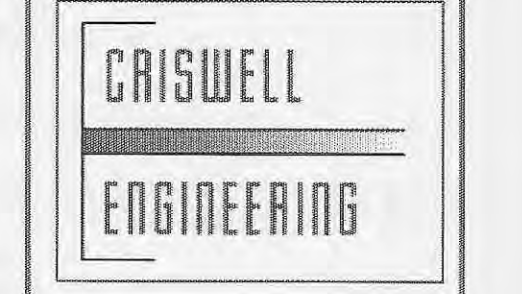


ST. BARNABAS CATHOLIC CHURCH
 O'FALLON, MISSOURI
 STORM SEWER IMPROVEMENTS - PROFILES/DETAILS
 PREPARED FOR: KUESEL EXCAVATING
 155 BROWN ROAD, SUITE 100
 ST. PETERS, MO 63376
 (636)397-3478

CRISWELL ENGINEERING LLC
 1663 NORTH MAIN STREET
 O'FALLON, MISSOURI 63366
 (636) 240-4031

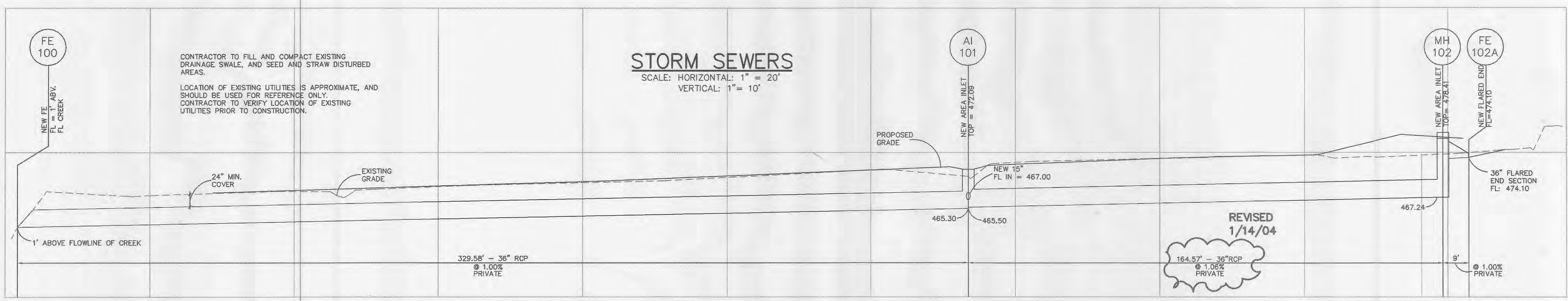
REVISIONS
1 11/13/03
2 11/19/03
3 11/20/03
4 12/03/03
5 1/14/04



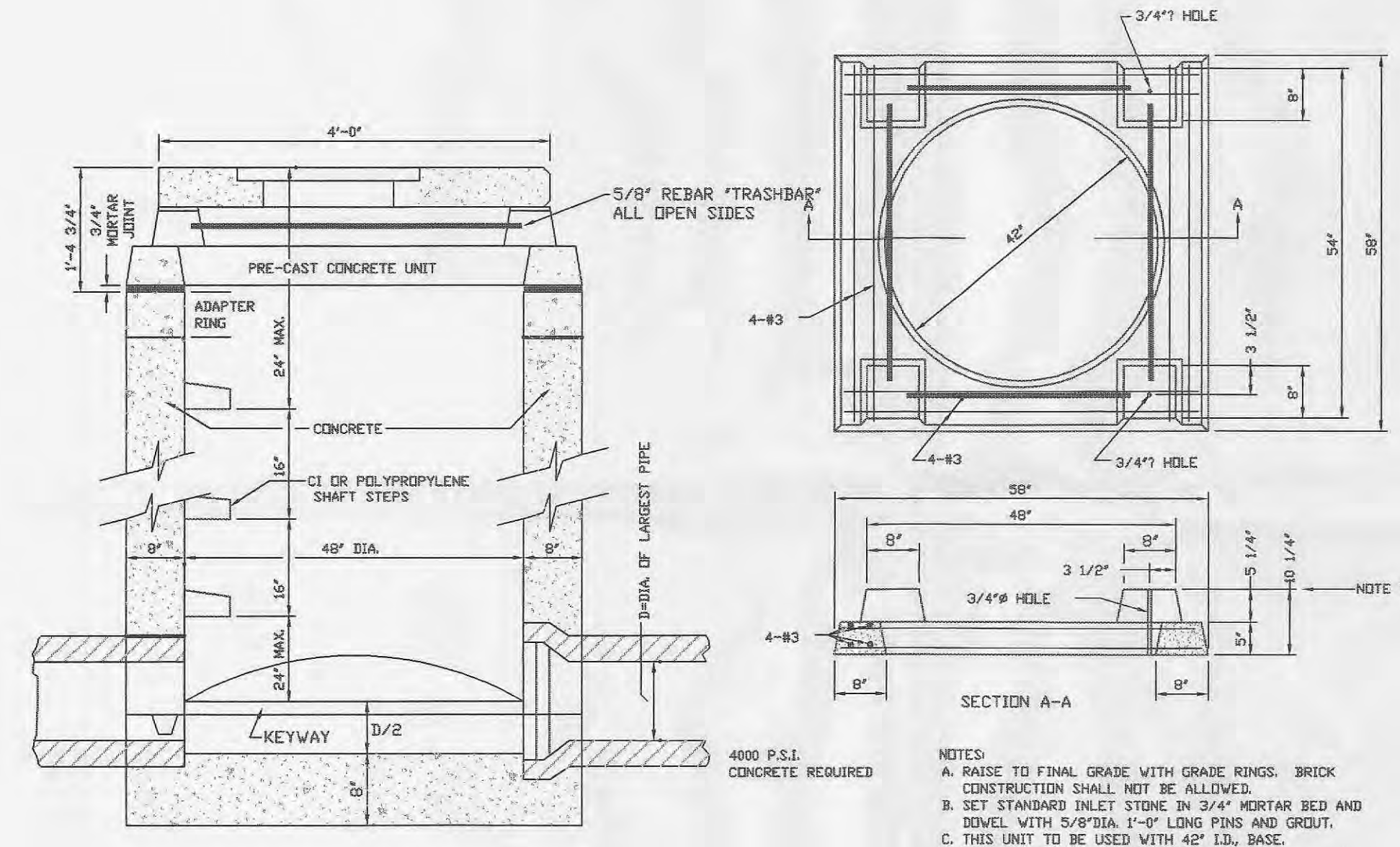
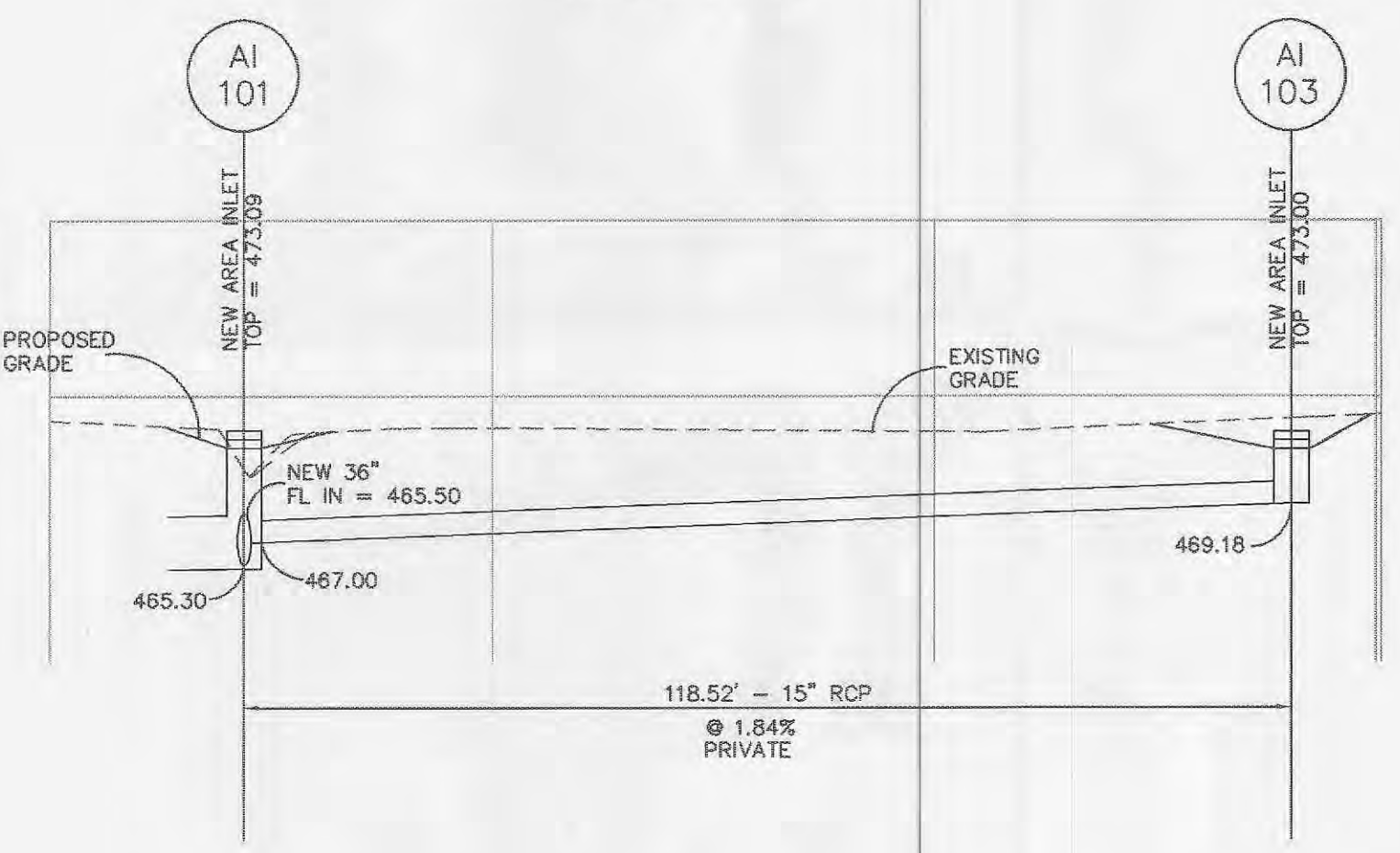
DISCLAIMER OF RESPONSIBILITY
 HEREBY SPECIFY THAT THE DOCUMENTS INTENDED TO BE REPRODUCED BY ANY MEANS ARE LIMITED TO THE SHEETS AND REPORTS AND ARE NOT RESPONSIBLE FOR ALL OTHER DRAWINGS, SPECIFICATIONS, DETAILS, REPORTS OR OTHER DOCUMENTS OF INSTRUMENTS RELATING TO OR INTRODUCED TO BE USED FOR ANY PART OR PARTS OF THE ARCHITECTURAL OR ENGINEERING PROJECT OR SERVICE.



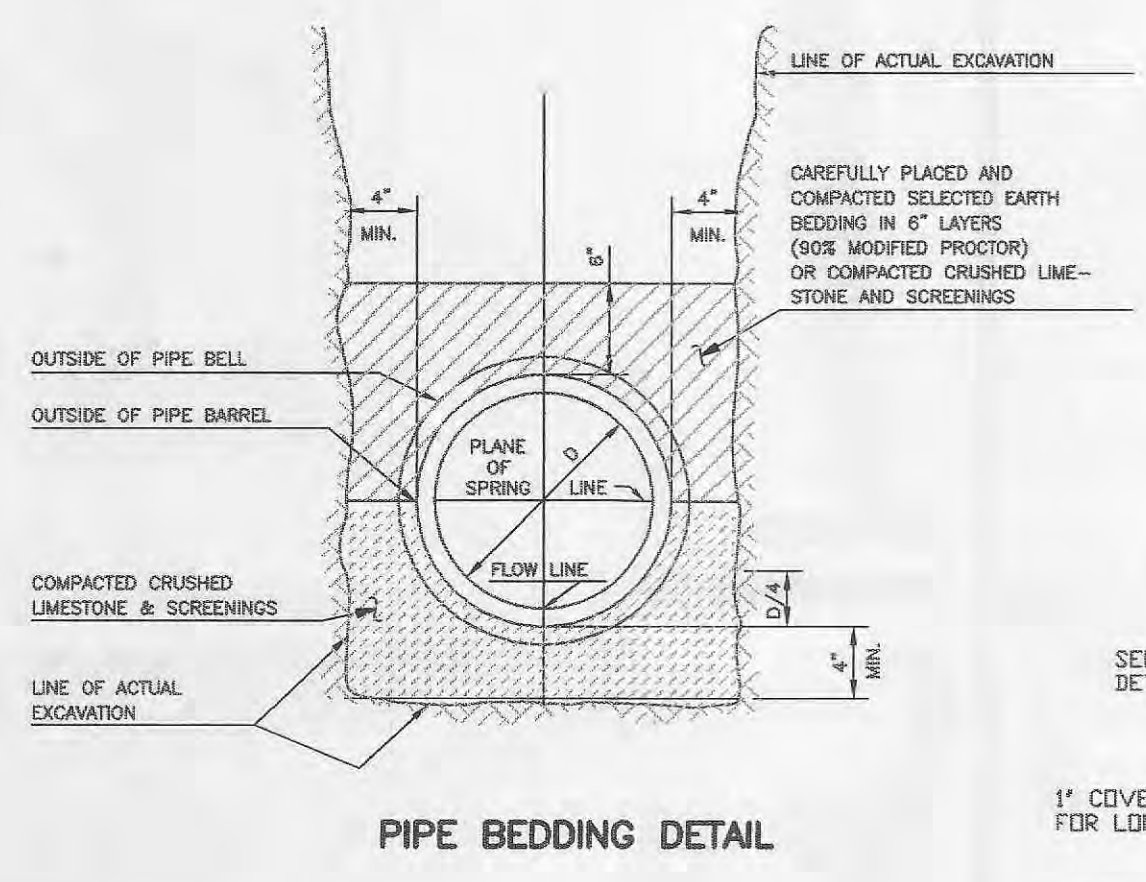
DESIGNED: CAL
 CHECKED: TAC
 DATE: 10/09/03
 PROJECT NO.: CE03-063



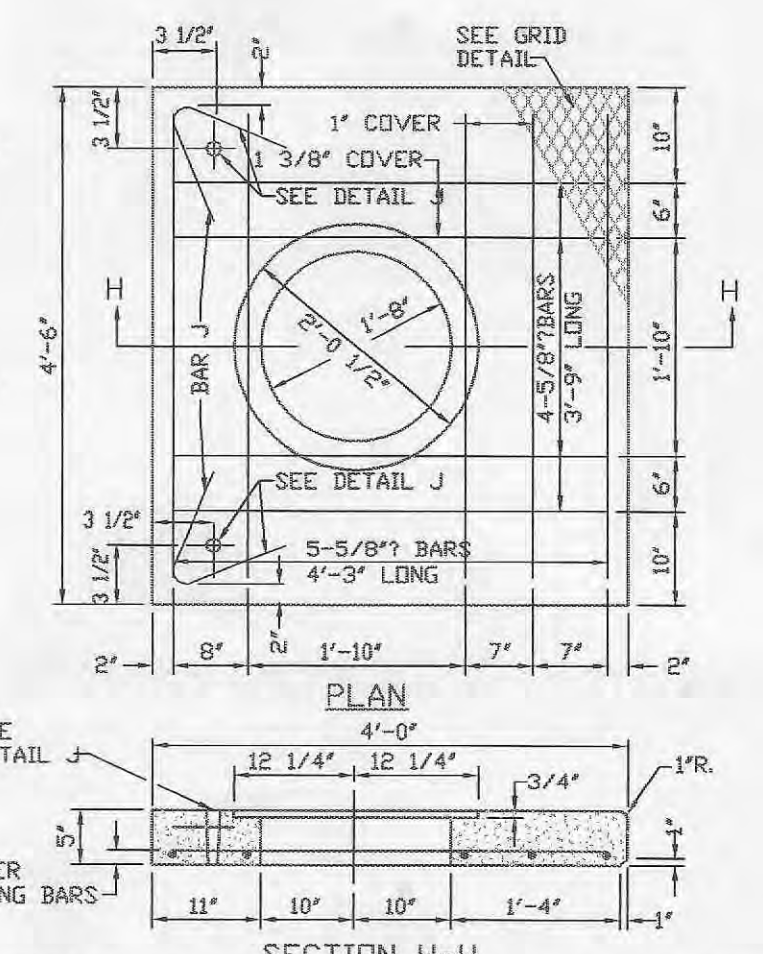
STORM SEWERS
 SCALE: HORIZONTAL: 1" = 20'
 VERTICAL: 1" = 10'



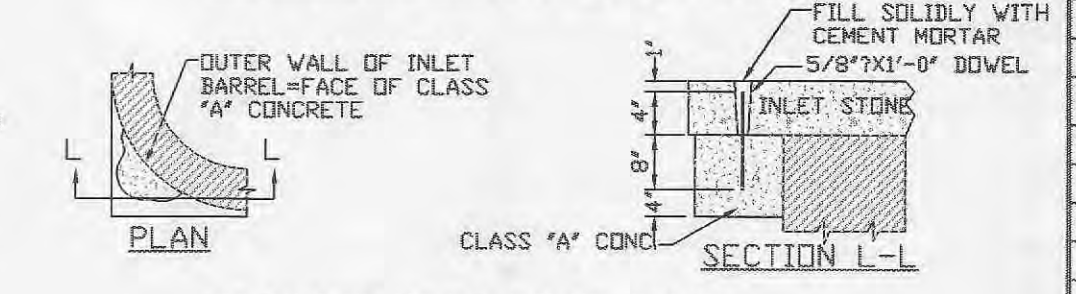
AREA INLET
 PRECAST CONCRETE UNIT FOR 4-WAY AREA INLET



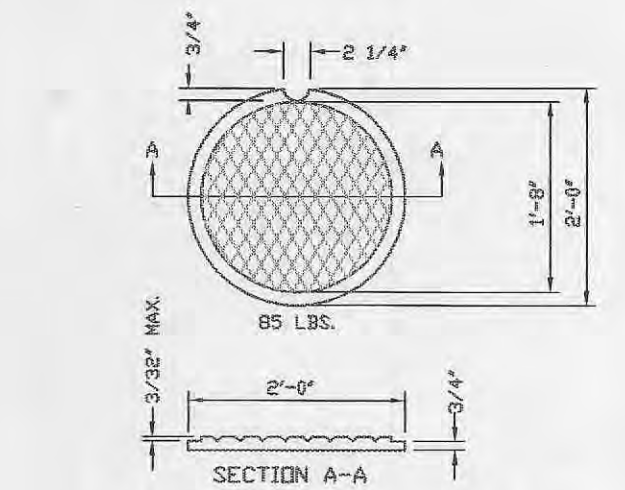
PIPE BEDDING DETAIL



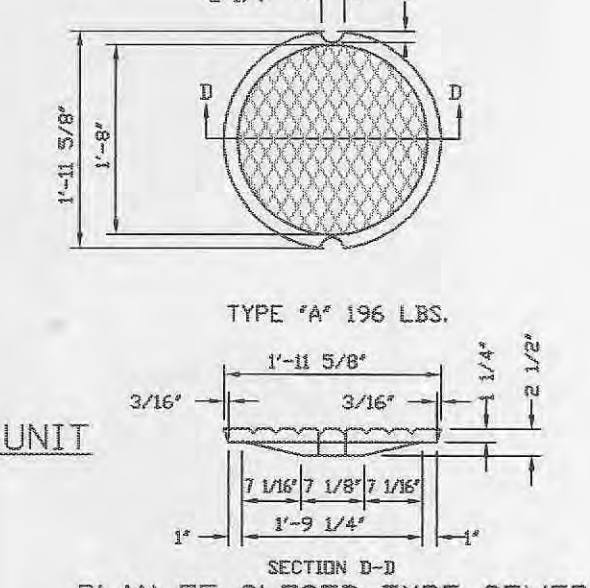
REINFORCED CONCRETE STONE STANDARD STREET INLET AND MAIN UNIT OF MULTIPLE UNIT INLET



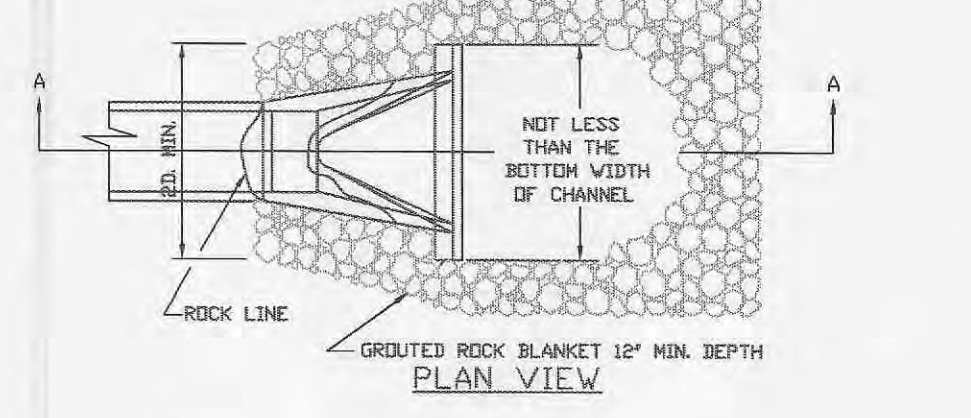
STANDARD INLET STONE DOWEL
 STANDARD - INLET STONES, BLOCKS & DESIGN DETAILS



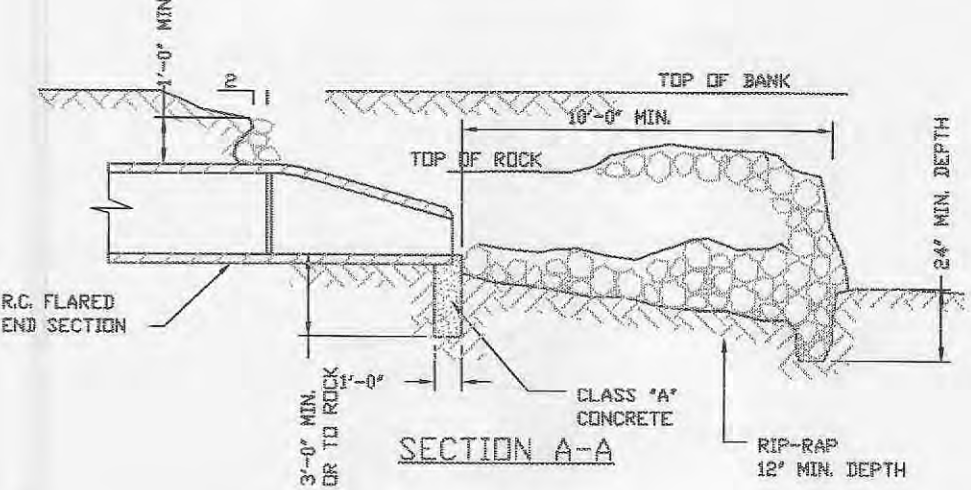
STANDARD CAST IRON INLET AND MANHOLE COVER



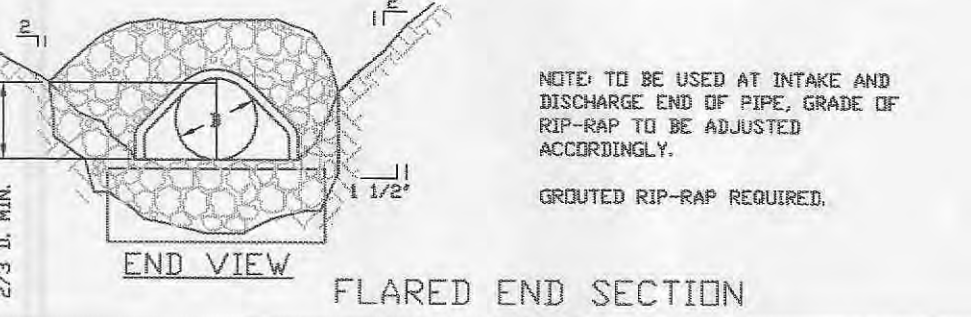
PLAN OF CLOSED-TYPE COVER
 CAST IRON COVERS MANHOLES AND INLETS



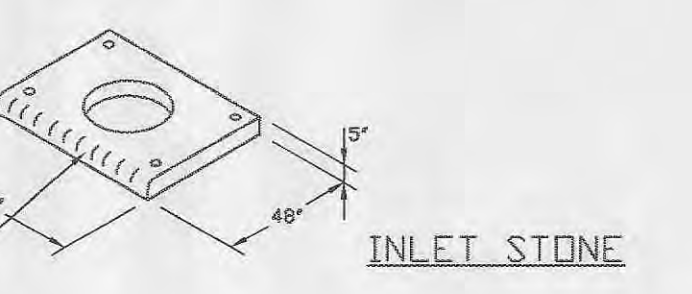
ROCK LINE
 PLAN VIEW



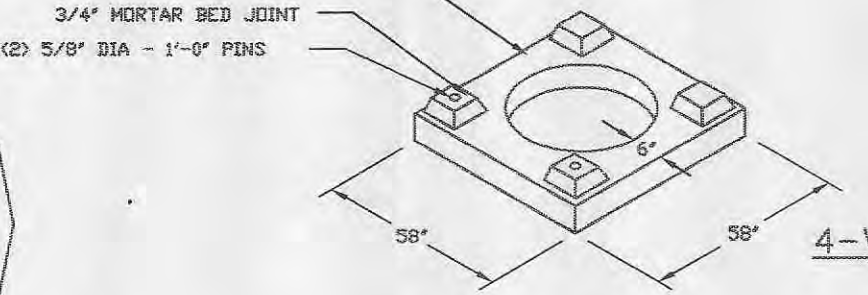
SECTION A-A
 FLARED END SECTION



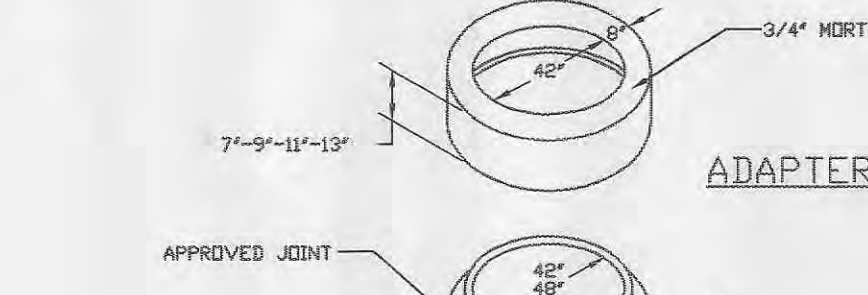
END VIEW
 FLARED END SECTION



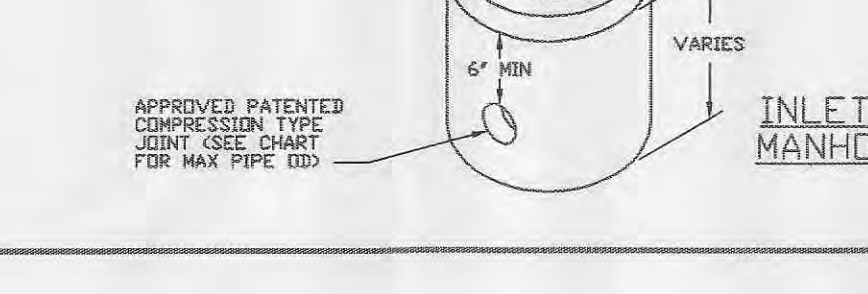
CAST IRON COVER



INLET STONE



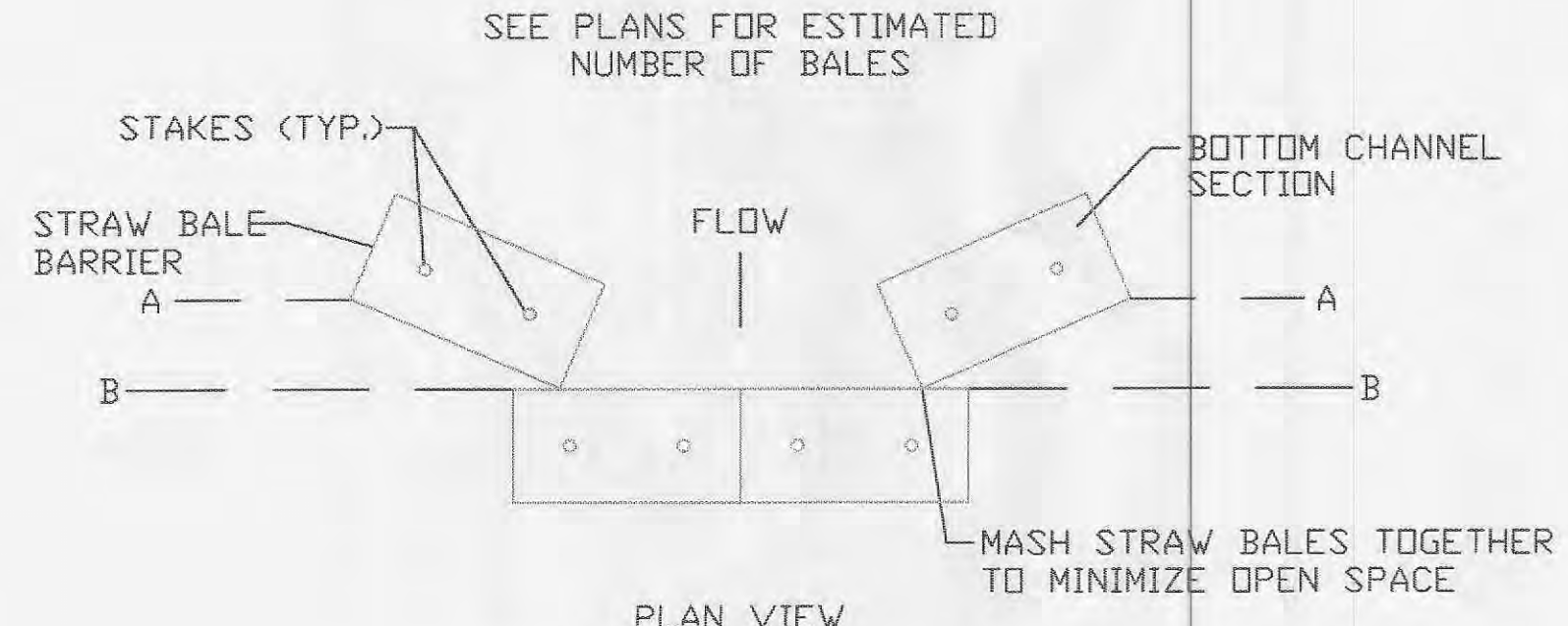
4-WAY CONCRETE UNIT



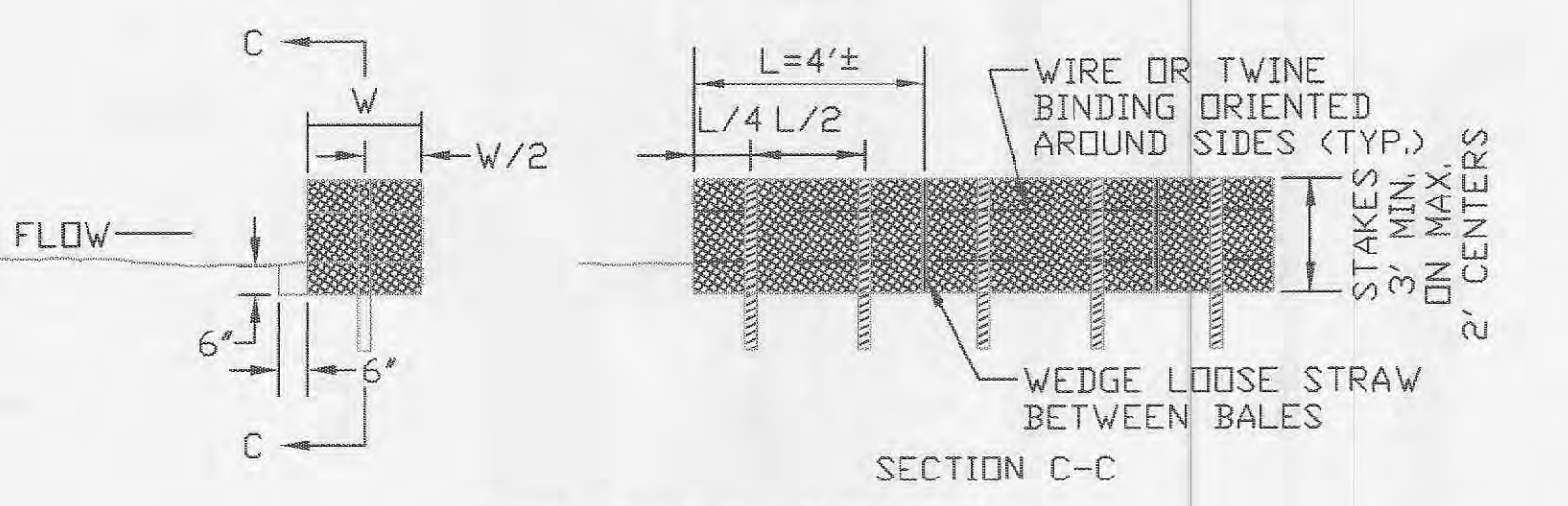
ADAPTER RING



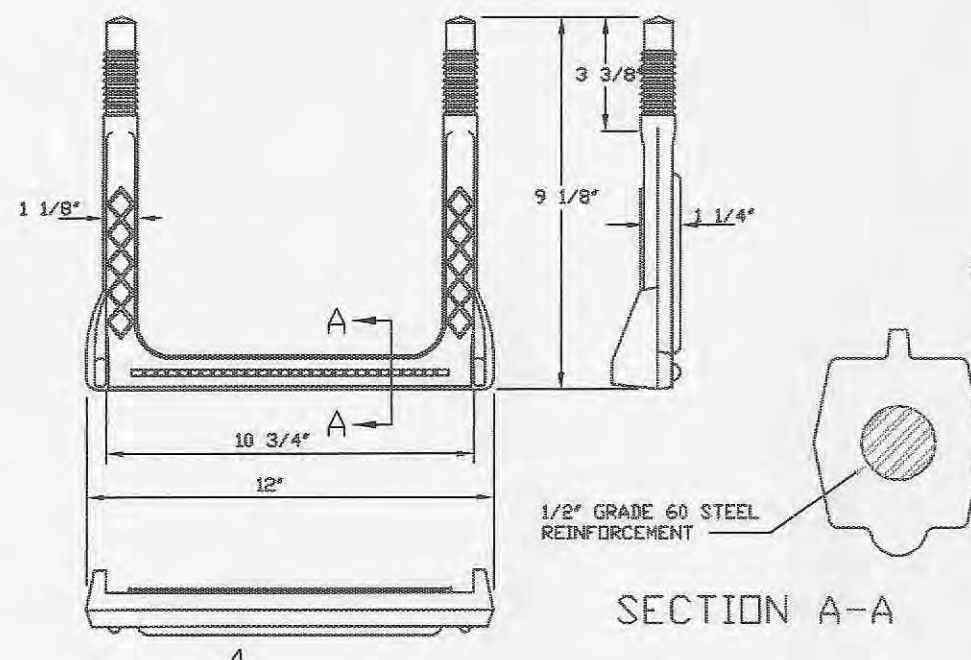
INLET BASE & MANHOLE BASE



DITCH APPLICATION DETAILS



STRAW BALE BARRIER DETAIL
 NOT TO SCALE



SECTION A-A
 COPOLYMER POLYPROPYLENE PLASTIC MANHOLE STEP FOR PRECAST MANHOLE

CONTRACTOR TO FILL AND COMPACT EXISTING DRAINAGE SWALE, AND SEED AND STRAW DISTURBED AREAS.
 LOCATION OF EXISTING UTILITIES IS APPROXIMATE, AND SHOULD BE USED FOR REFERENCE ONLY.
 CONTRACTOR TO VERIFY LOCATION OF EXISTING UTILITIES PRIOR TO CONSTRUCTION.

STORM SEWERS
 SCALE: HORIZONTAL: 1" = 20'
 VERTICAL: 1" = 10'