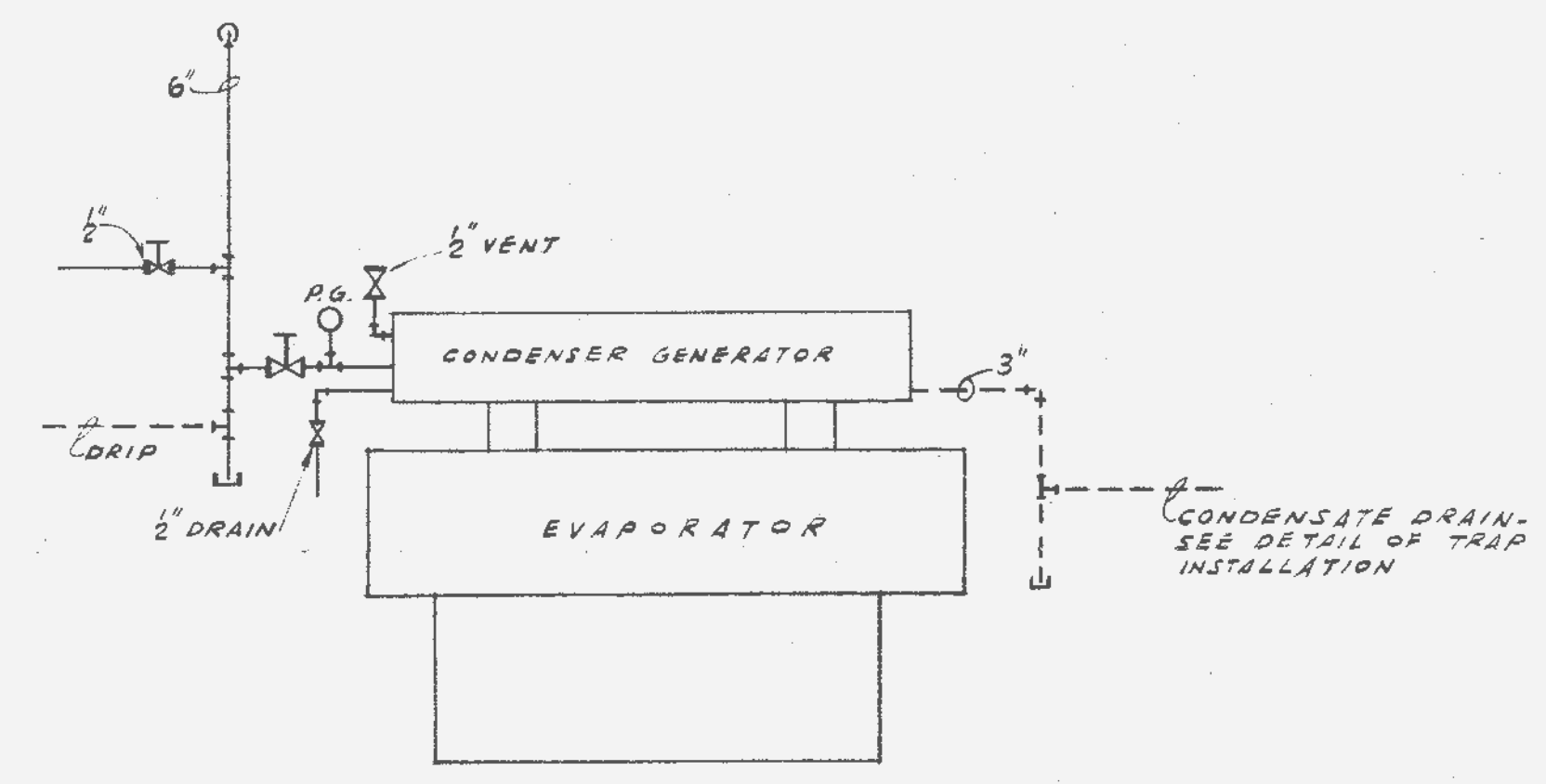
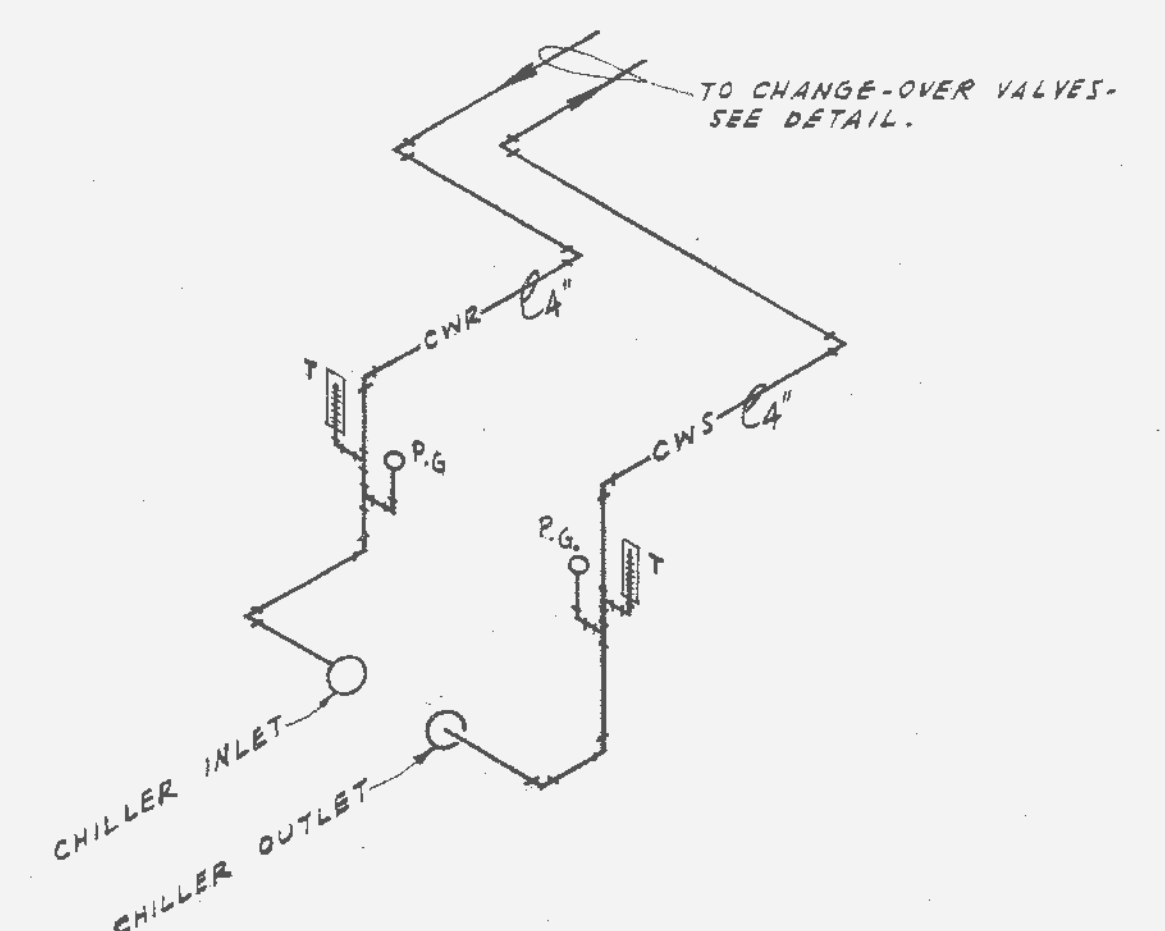


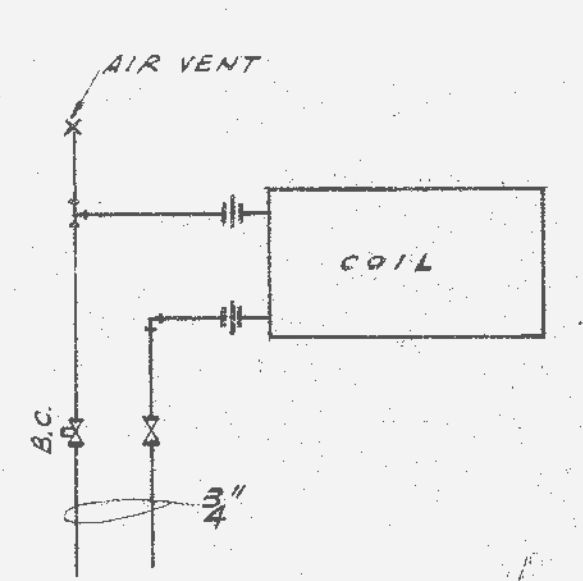
DETAIL, CONDENSING WATER PIPING @ ABSORPTION MACHINE



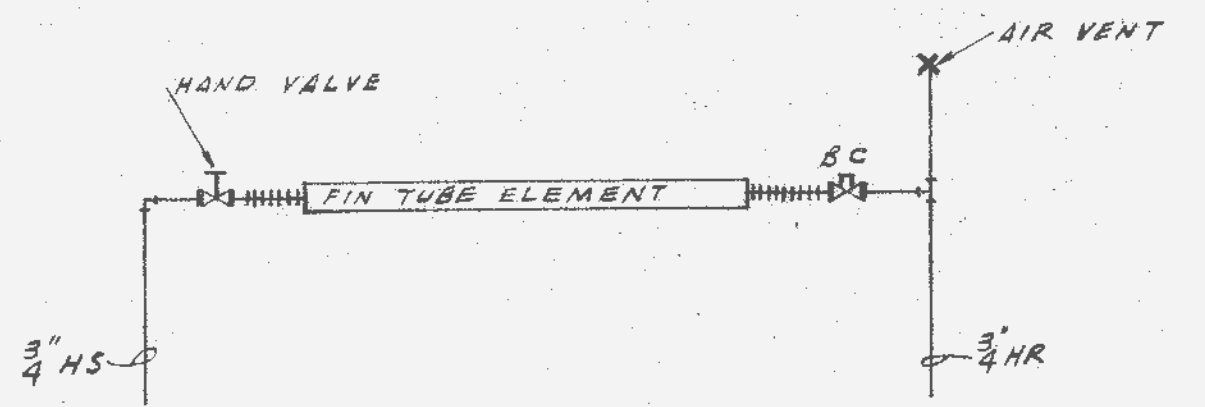
DETAIL, STEAM & CONDENSATE PIPING @ ABSORPTION MACHINE



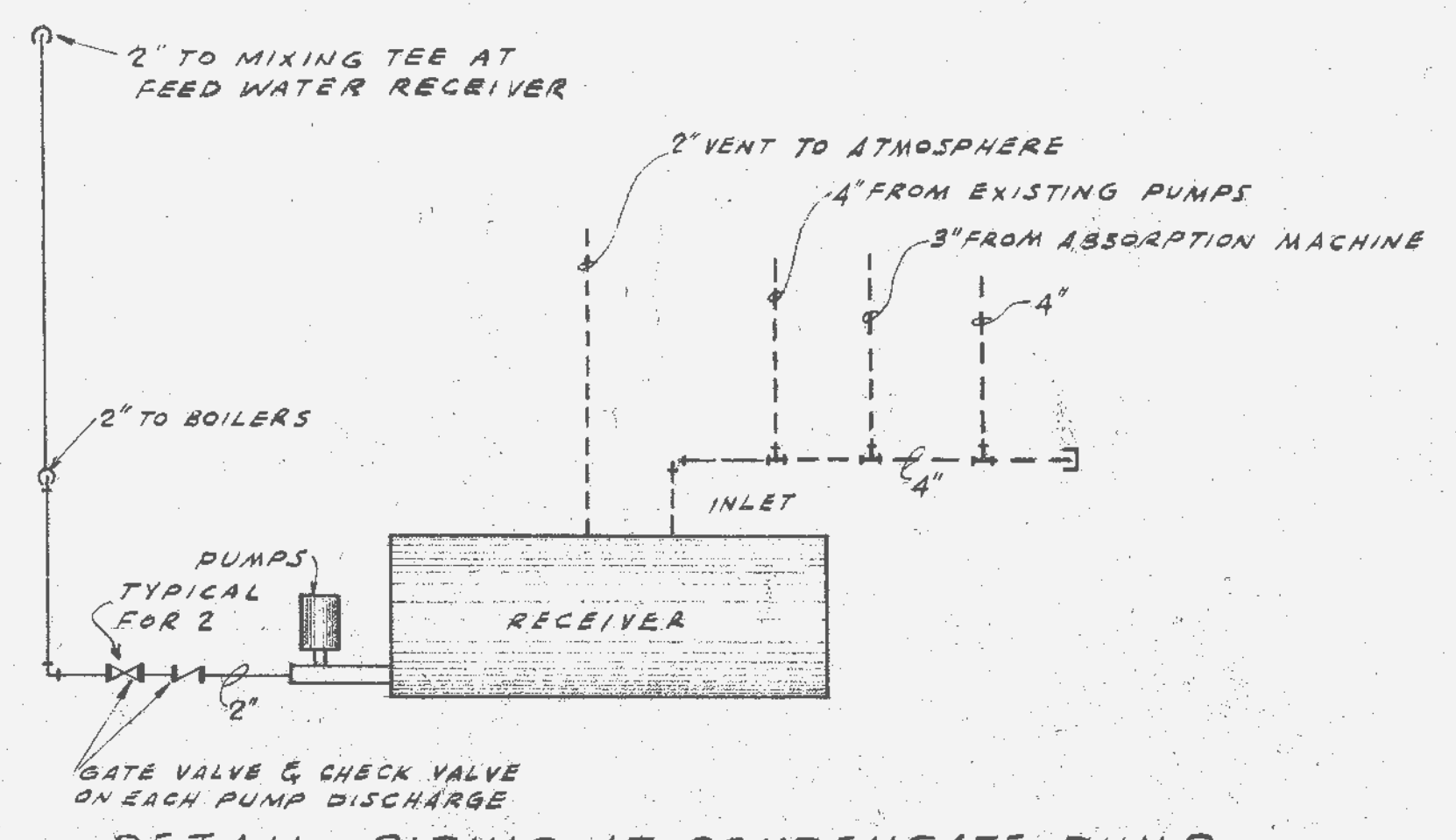
DETAIL, CHILLED WATER PIPING @ ABSORPTION MACHINE



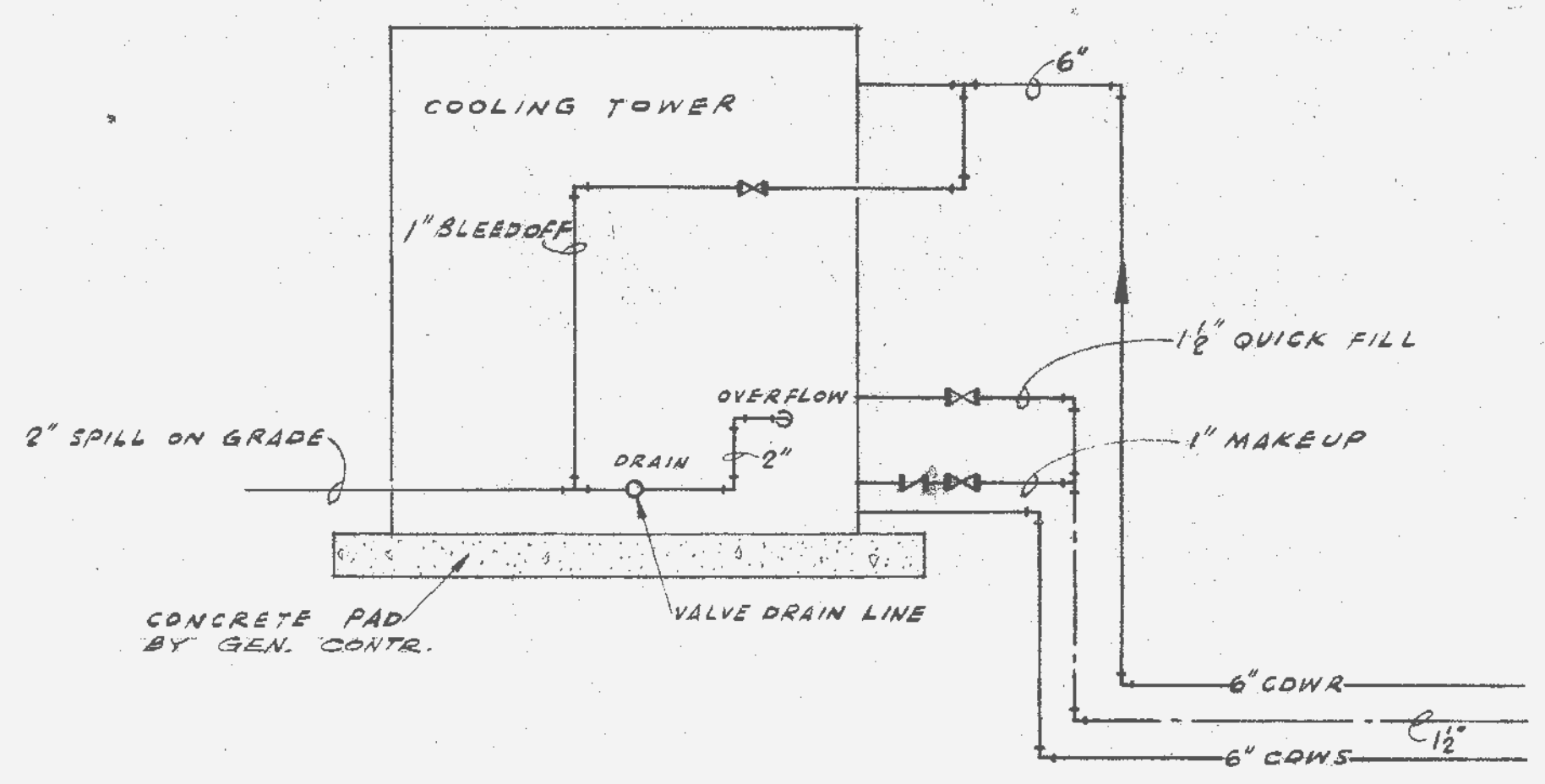
DETAIL, PIPING @ ENTRY HEATERS



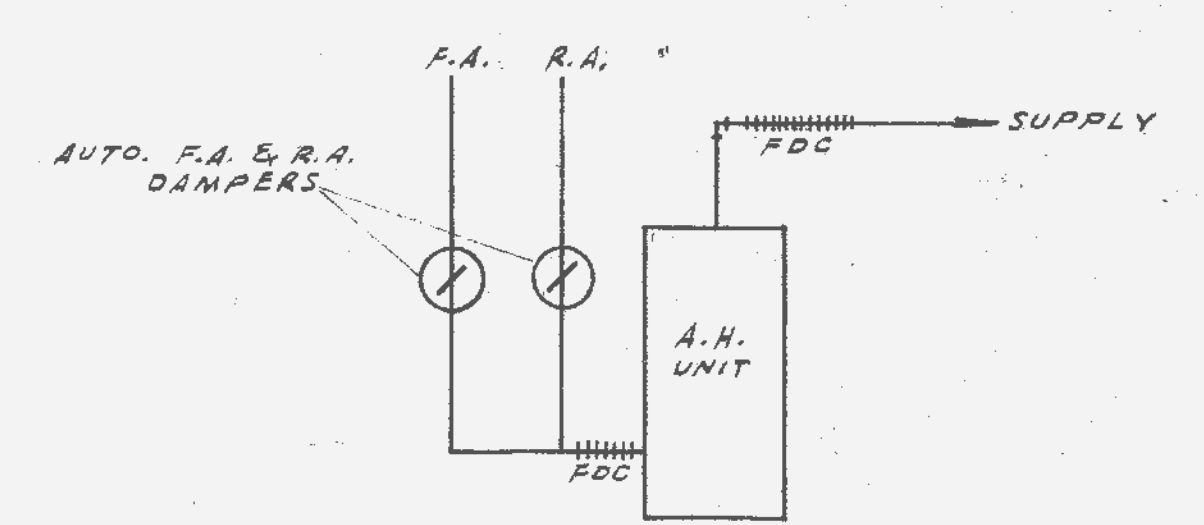
DETAIL, PIPING @ FIN TUBE RADIATION (PIPING FROM BELOW)



DETAIL, PIPING AT CONDENSATE PUMP

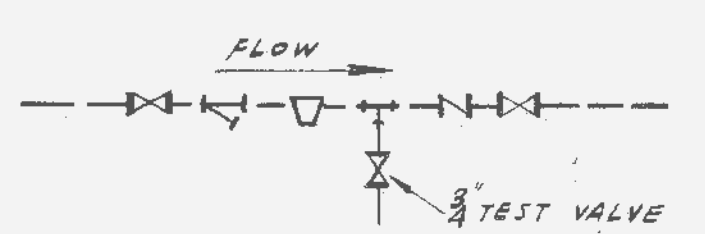


DETAIL, PIPING @ COOLING TOWER

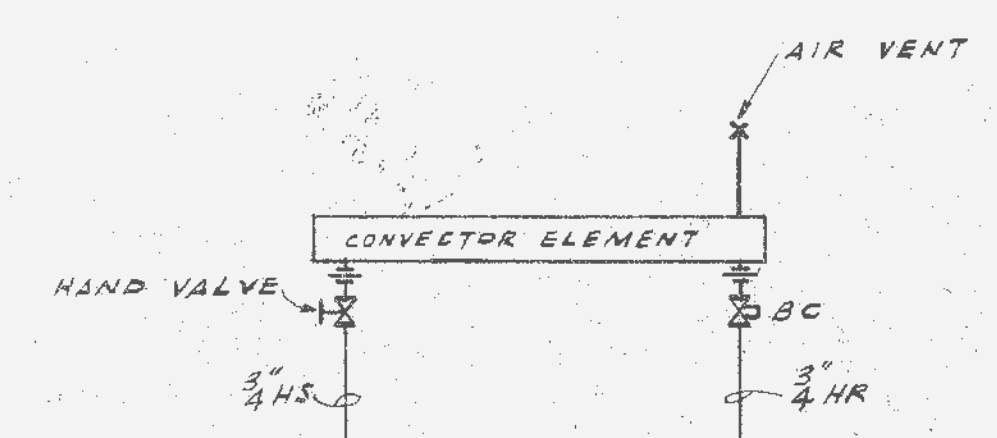


TYPICAL AIR FLOW DIAGRAM FOR AH-1 THRU AH-5

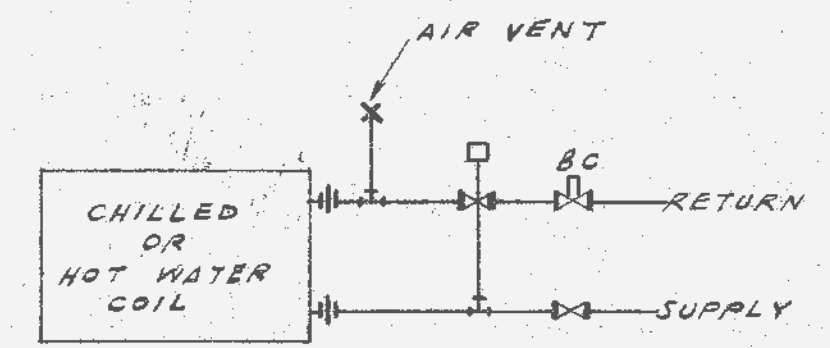
A.H. NO.	SUPPLY DUCT SIZE	R.A. DUCT SIZE	R.A. DUCT SIZE
1	24" x 26"	36" x 16"	36" x 16"
2	24" x 18"	24" x 16"	24" x 18"
3	24" x 14"	36" x 12"	36" x 12"
4	24" x 12"	24" x 12"	24" x 12"
5	26" x 12"	24" x 10"	24" x 12"



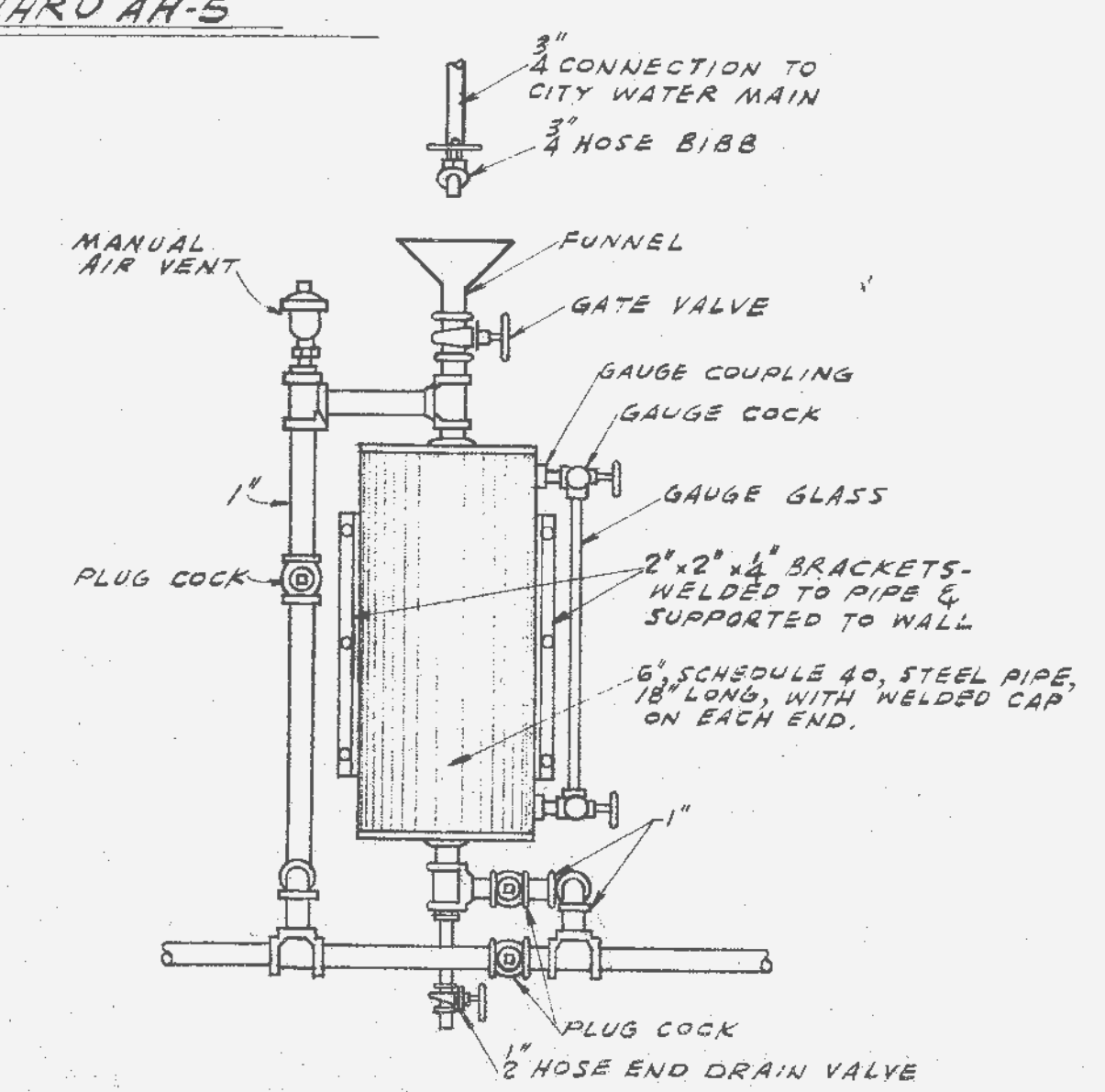
DETAIL, TYPICAL STEAM TRAP INSTALLATION



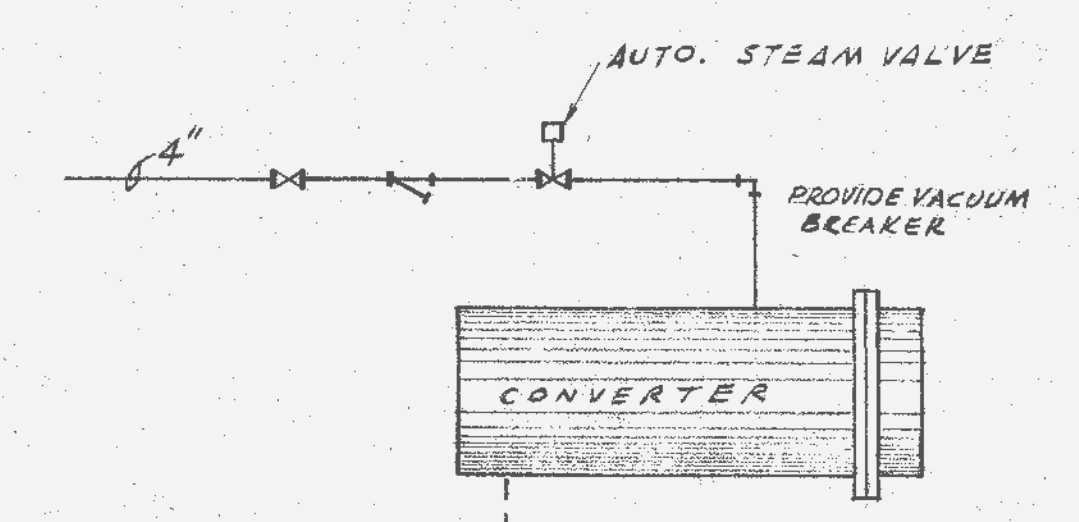
DETAIL, PIPING @ CONVECTORS



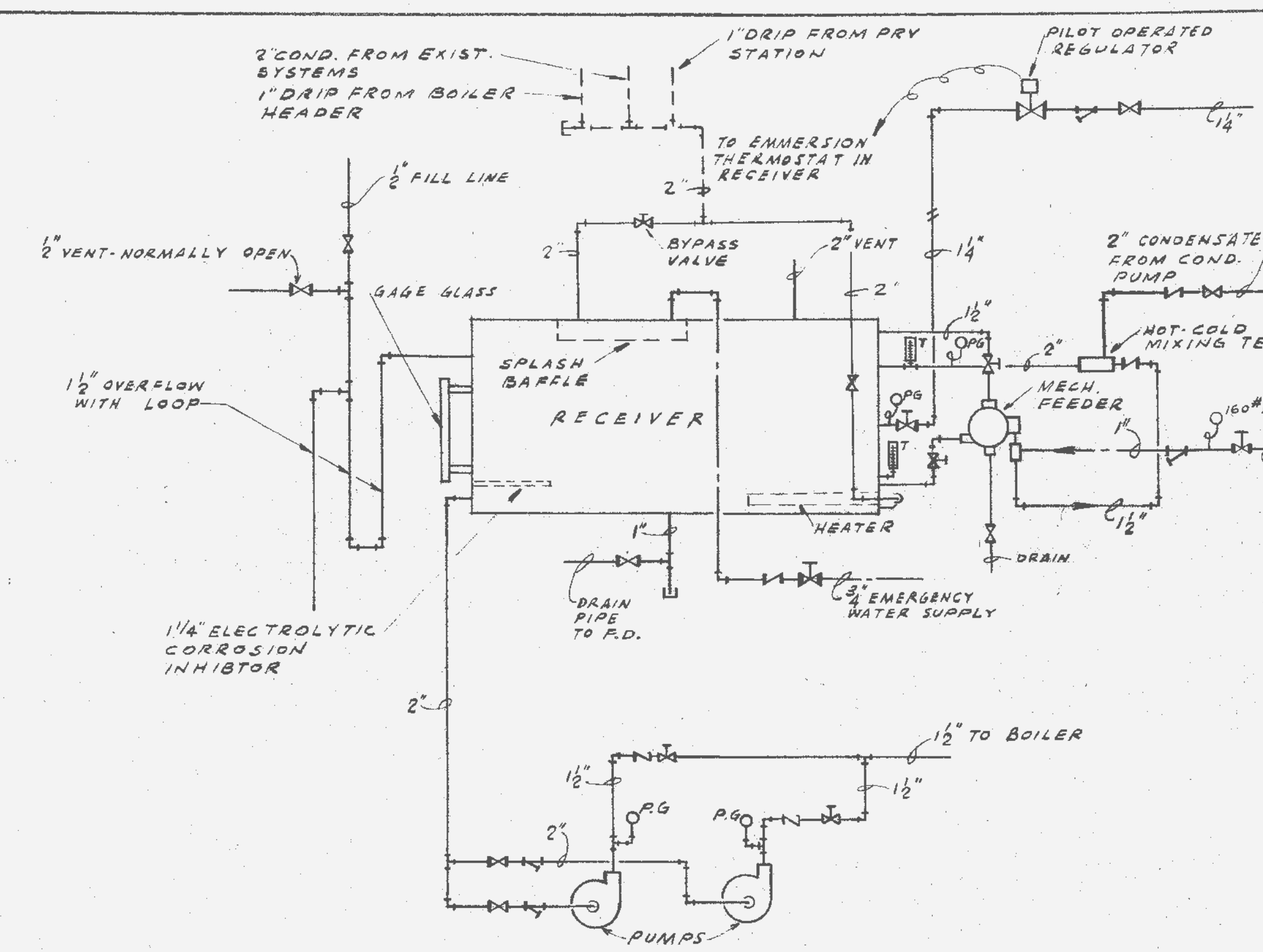
DETAIL, PIPING @ CHILLED OR HOT WATER COIL



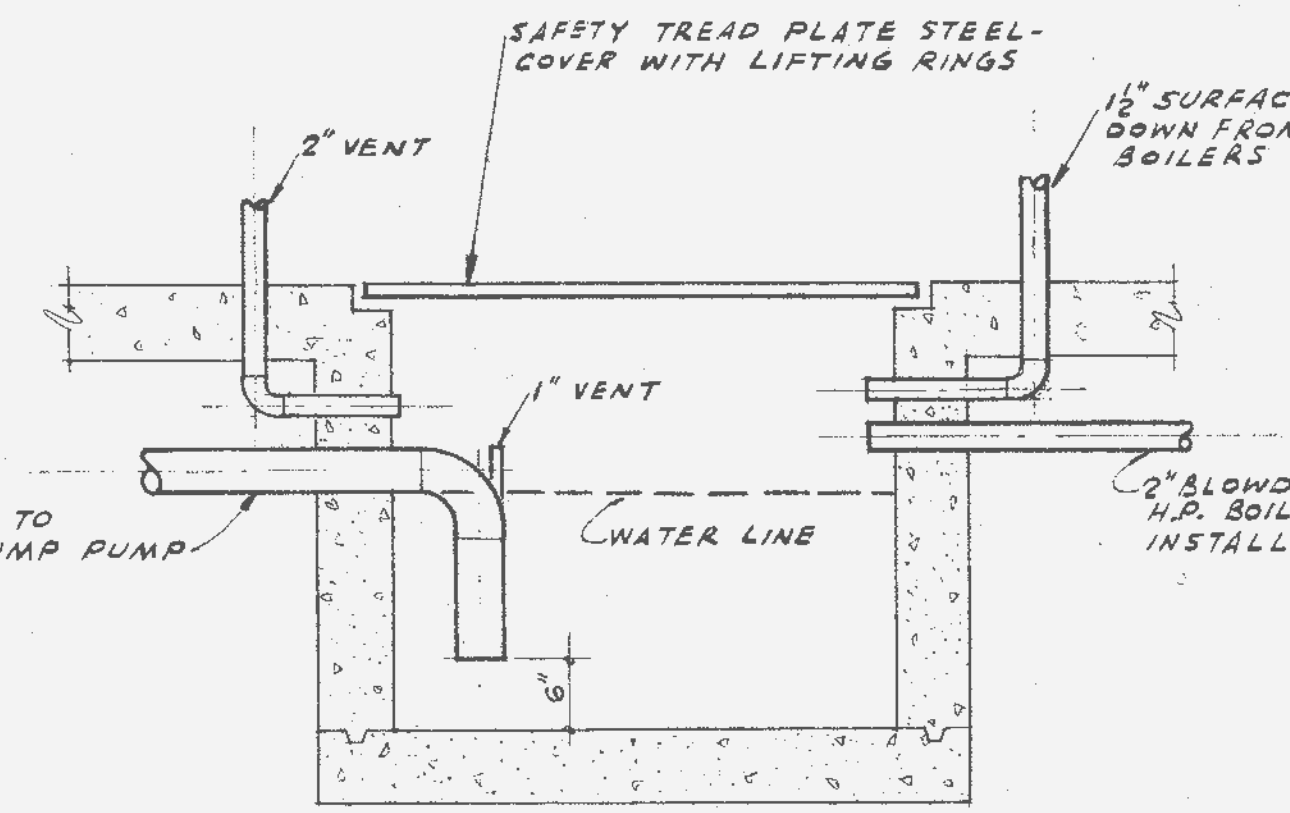
DETAIL, BOILER COMPOUND FEEDER NO SCALE



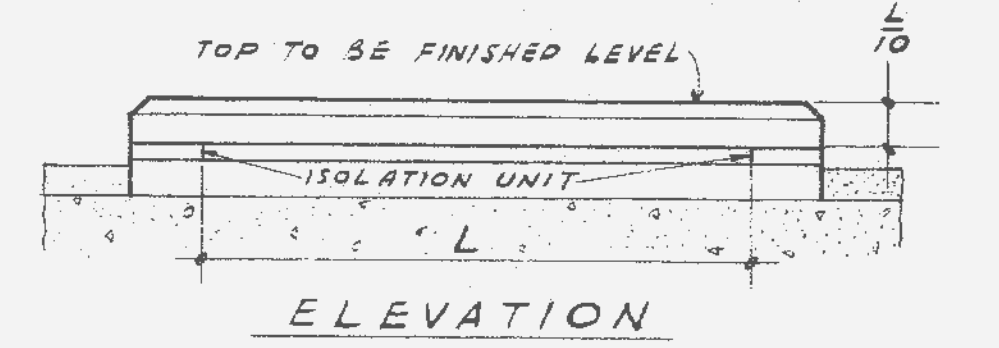
DETAIL, PIPING @ CONVERTER



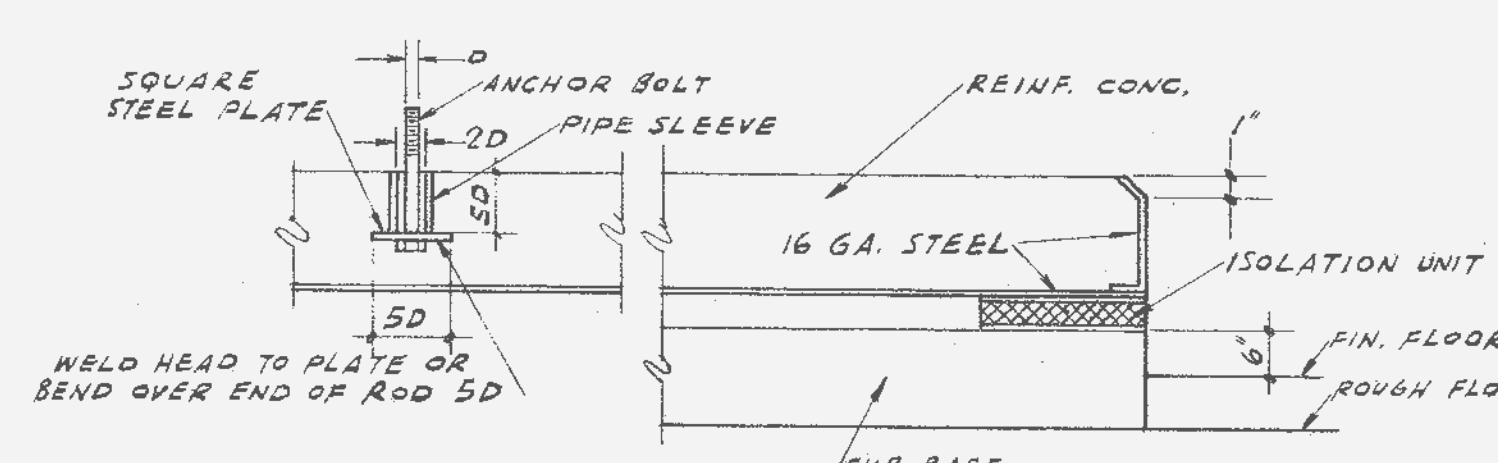
DETAIL, PIPING @ RECEIVER & FEED PUMPS FOR H.P. BOILER



SECTION DETAIL, PIPING @ BLOWDOWN PIT NOT TO SCALE



ELEVATION



ENLARGED VIEW

NOTES:
NUMBER OF ISOLATION UNITS TO BE AS REQ'D FOR PROPER WEIGHT DISTRIBUTION
PROJECTION OF ANCHOR BOLTS ABOVE SLAB DETERMINED BY EQUIPMENT BASE THICKNESS

DETAIL, MACHINERY FOUNDATION TYPICAL FOR ALL PUMPS NO SCALE

STRAINER SIZE	BLOWOFF SIZE
1" & 2"	1/2"
1" & 1 1/4"	3/4"
1 1/2" & 2"	1"
2" & OVER	1 1/4"

DETAIL, STRAINER BLOWOFF CONNECTION

DATE: ADDITION TO ST. MARYS INSTITUTE O'FALLON, MO.
DRAWN BY: FOR THE SISTERS OF THE MOST PRECIOUS BLOOD MOTHER M. LORENZA, G.P.S., MOTHER GENERAL
JOB NO. 3102 A.F. & ARTHUR STAUDER, ARCHITECTS 3608 SOUTH GRAND BLVD. ST. LOUIS 18, MISSOURI PAUL LONDE & ASSOC. CONSULTING ENGINEERS
REVISIONS:



SHEET M-10