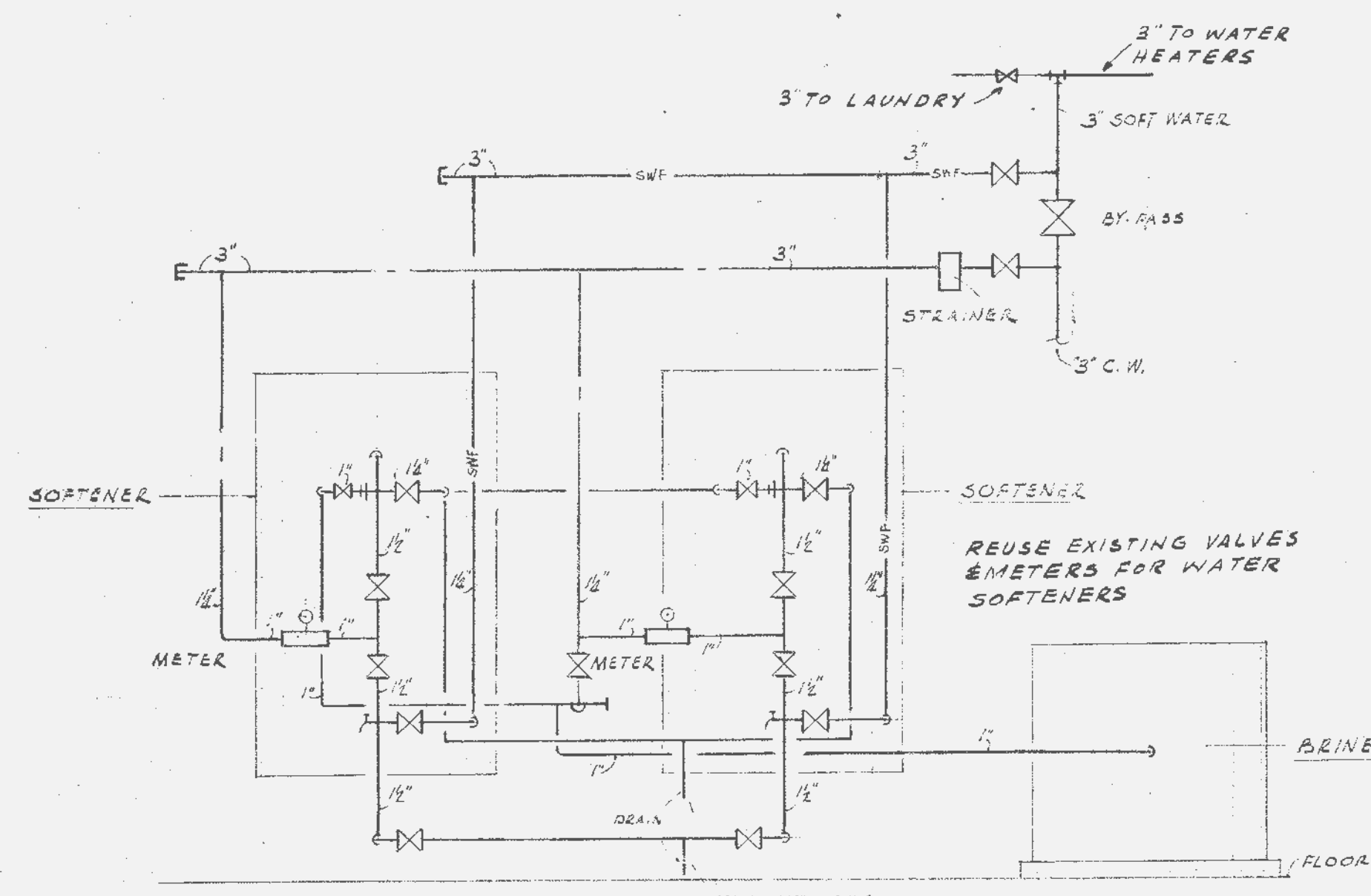
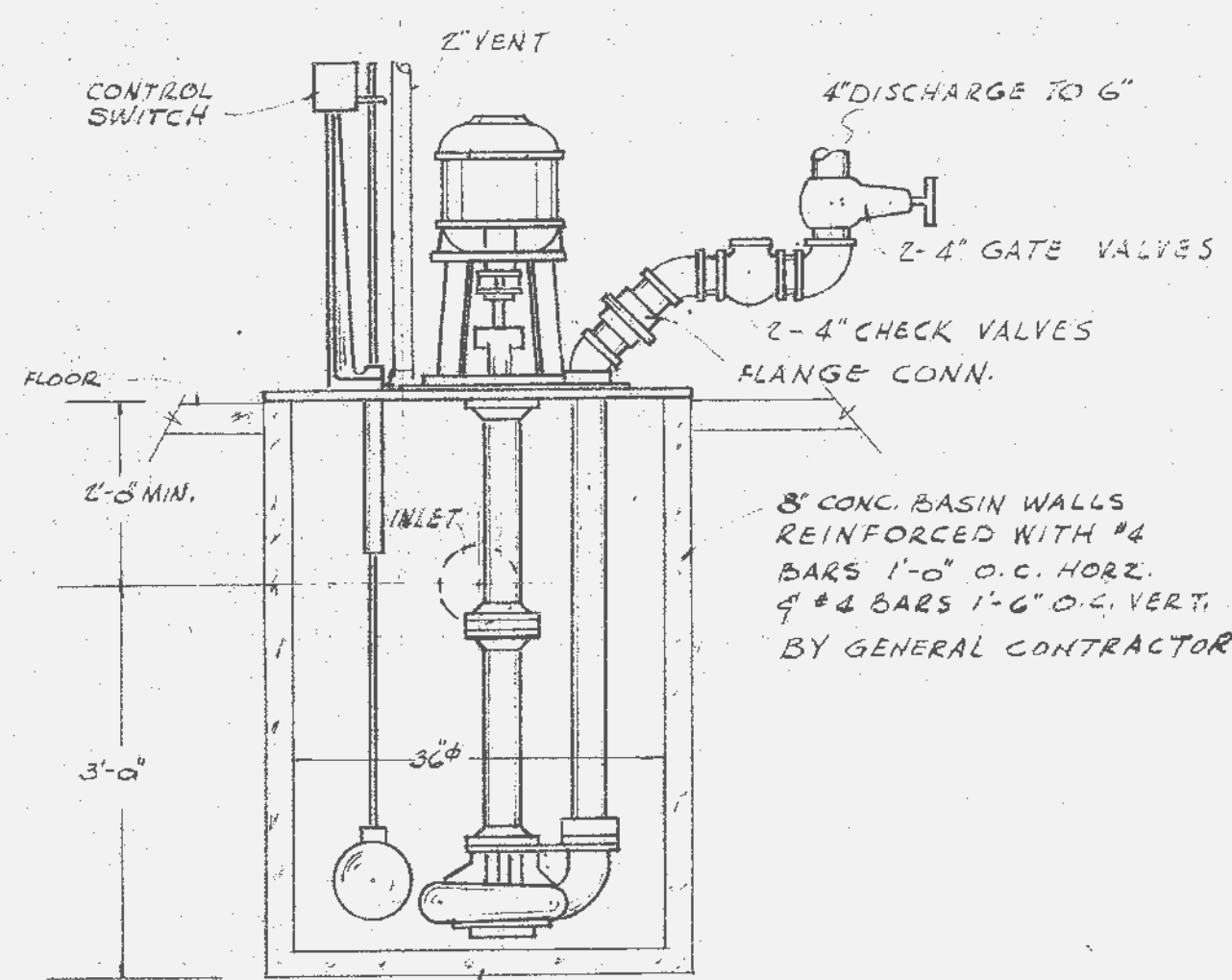


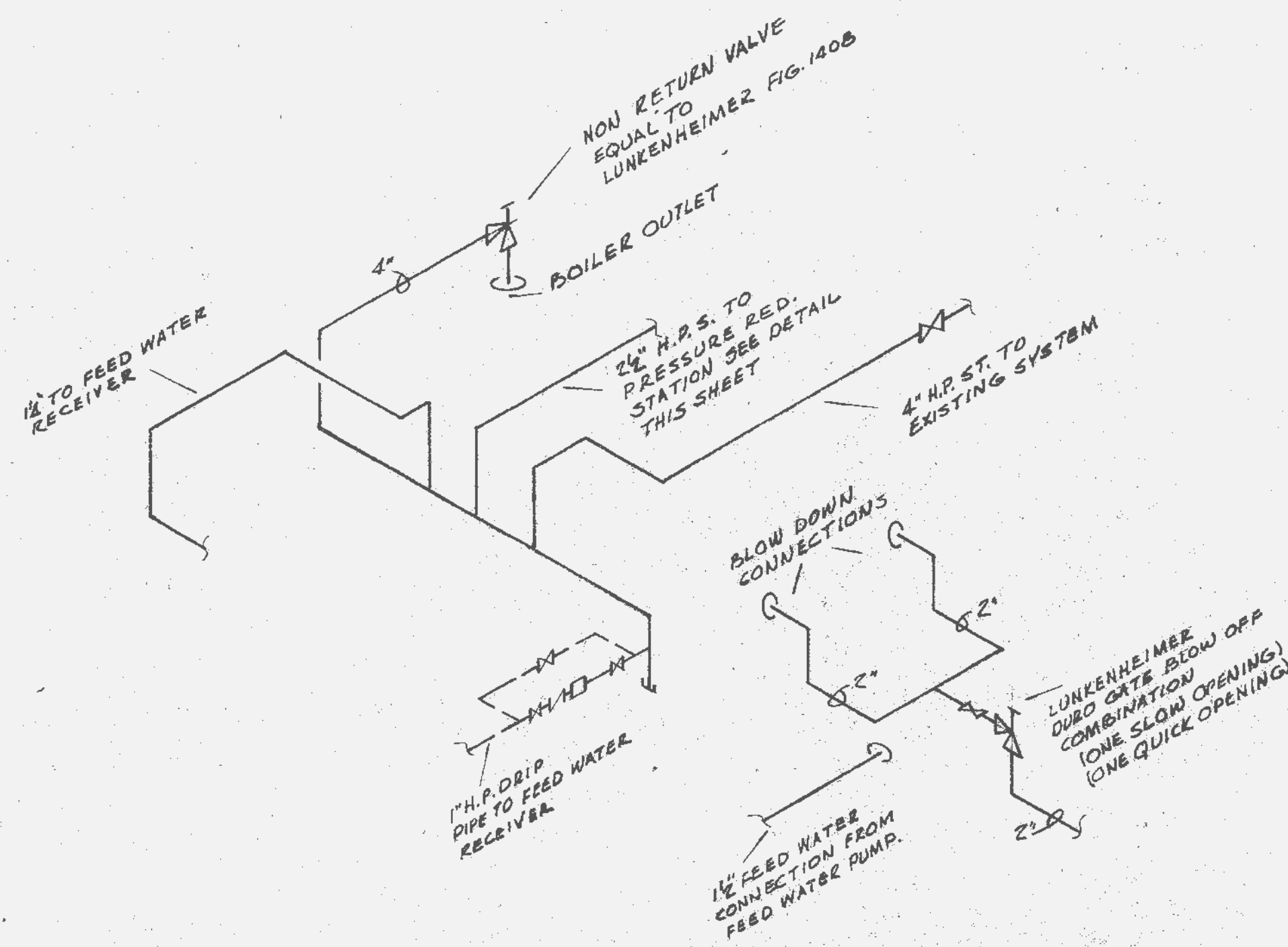
DETAIL OF PIPING AT CONVERTOR AND PIPING FOR ZONES '1'-'2' & '3'



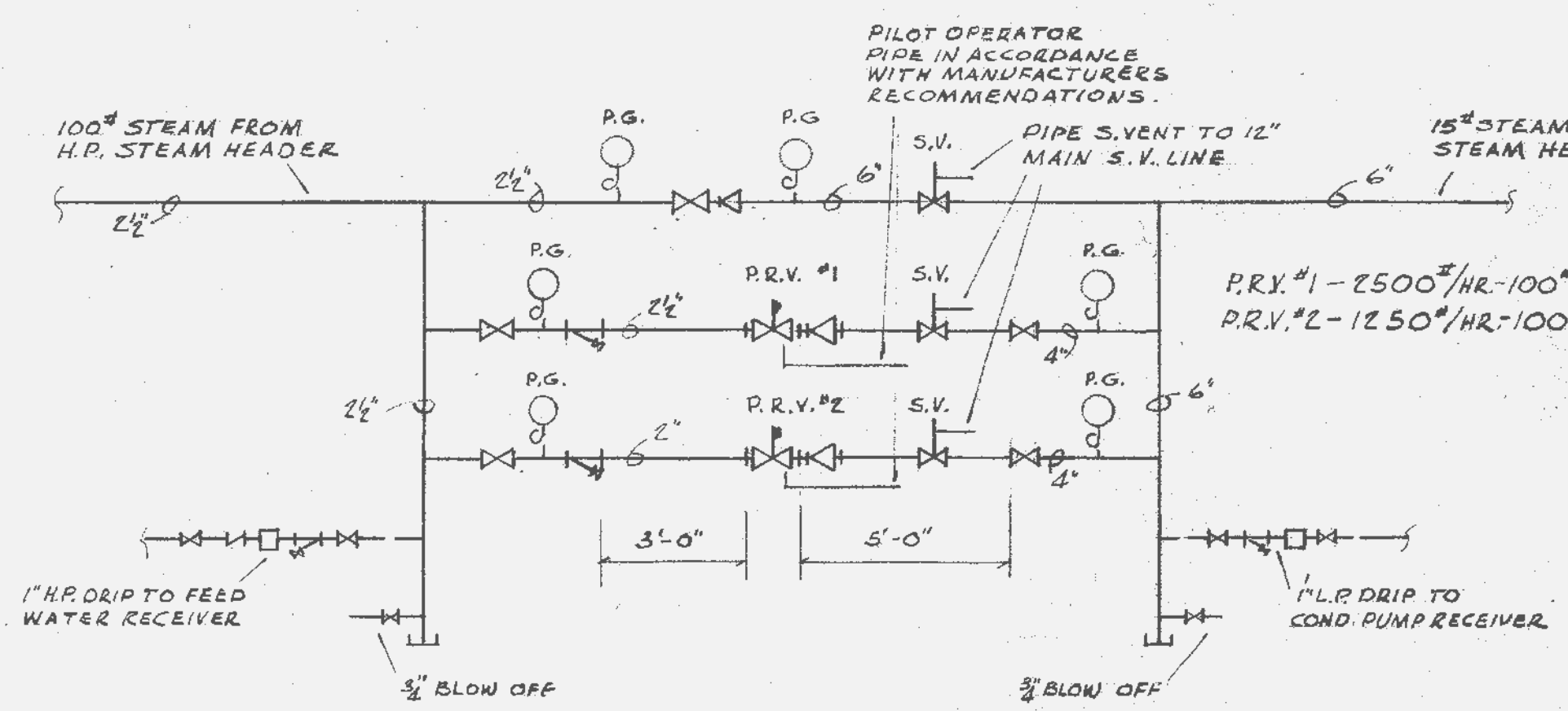
SCHEMATIC OF WATER SOFTENERS



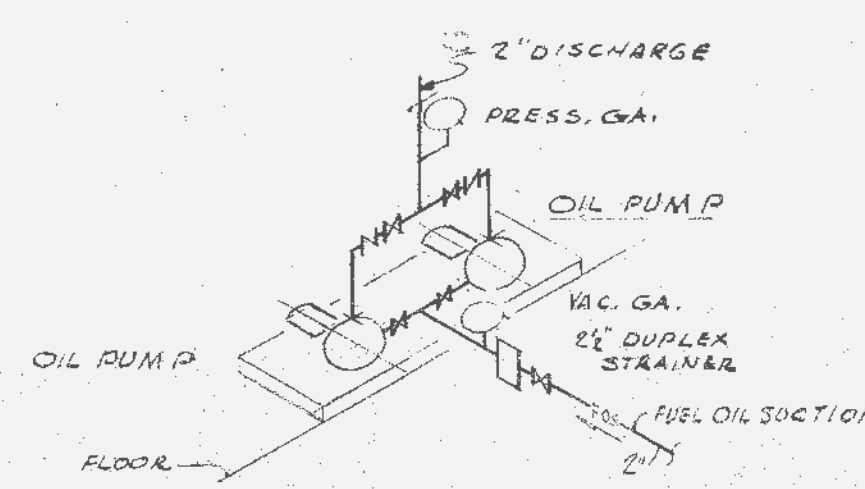
DETAIL OF SUMP PUMP  
NO SCALE



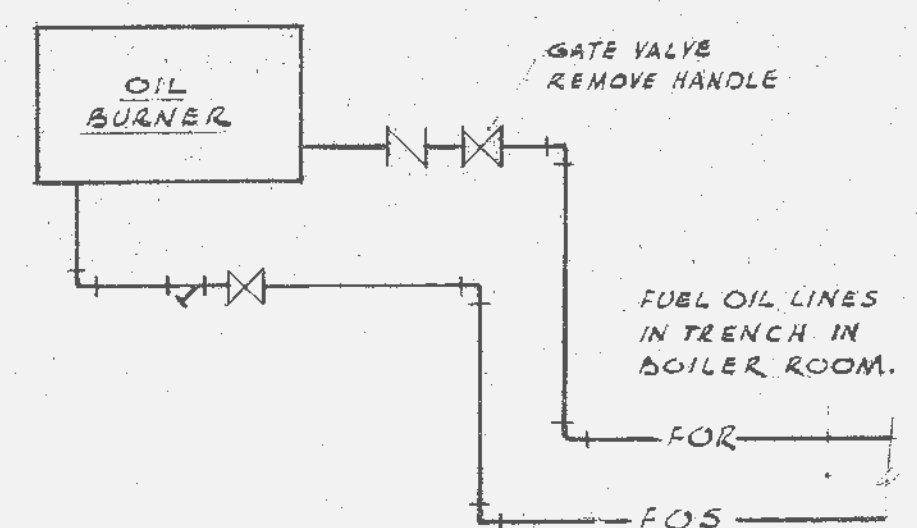
DETAIL OF PIPING AT HIGH PRESSURE BOILER



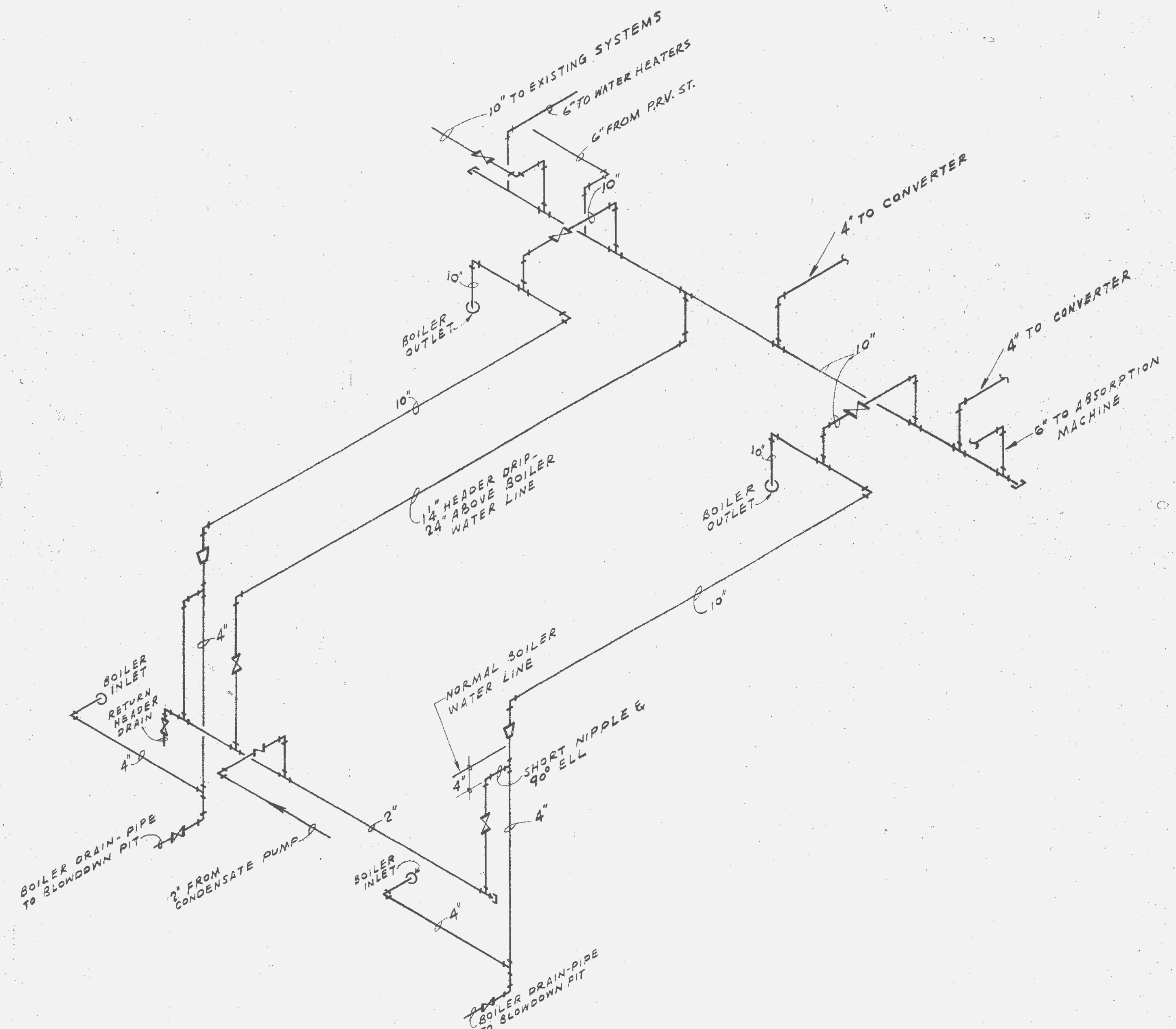
DETAIL OF PIPING AT PRESSURE REDUCING STATION



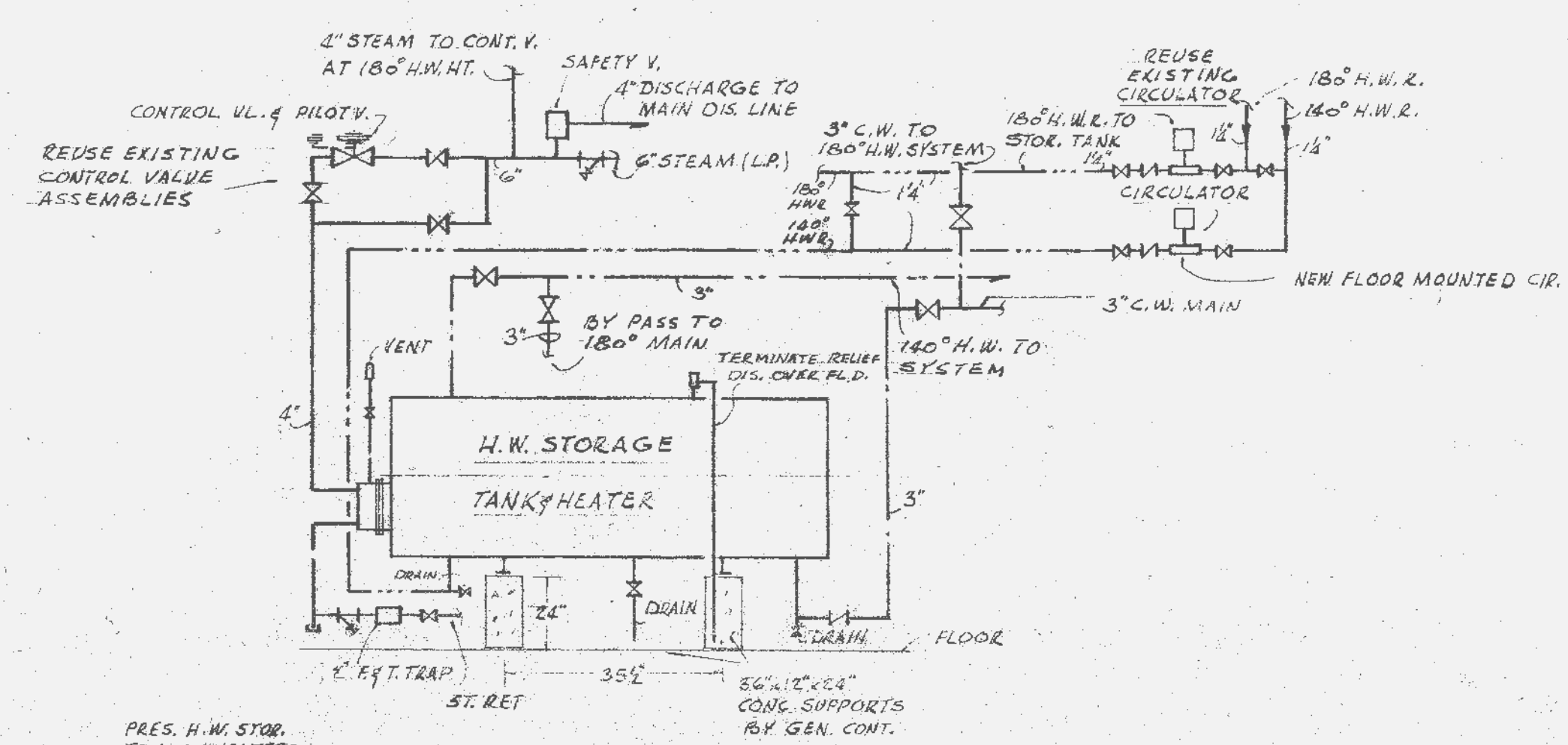
PIPING AT OIL HEATERS AND PUMPS



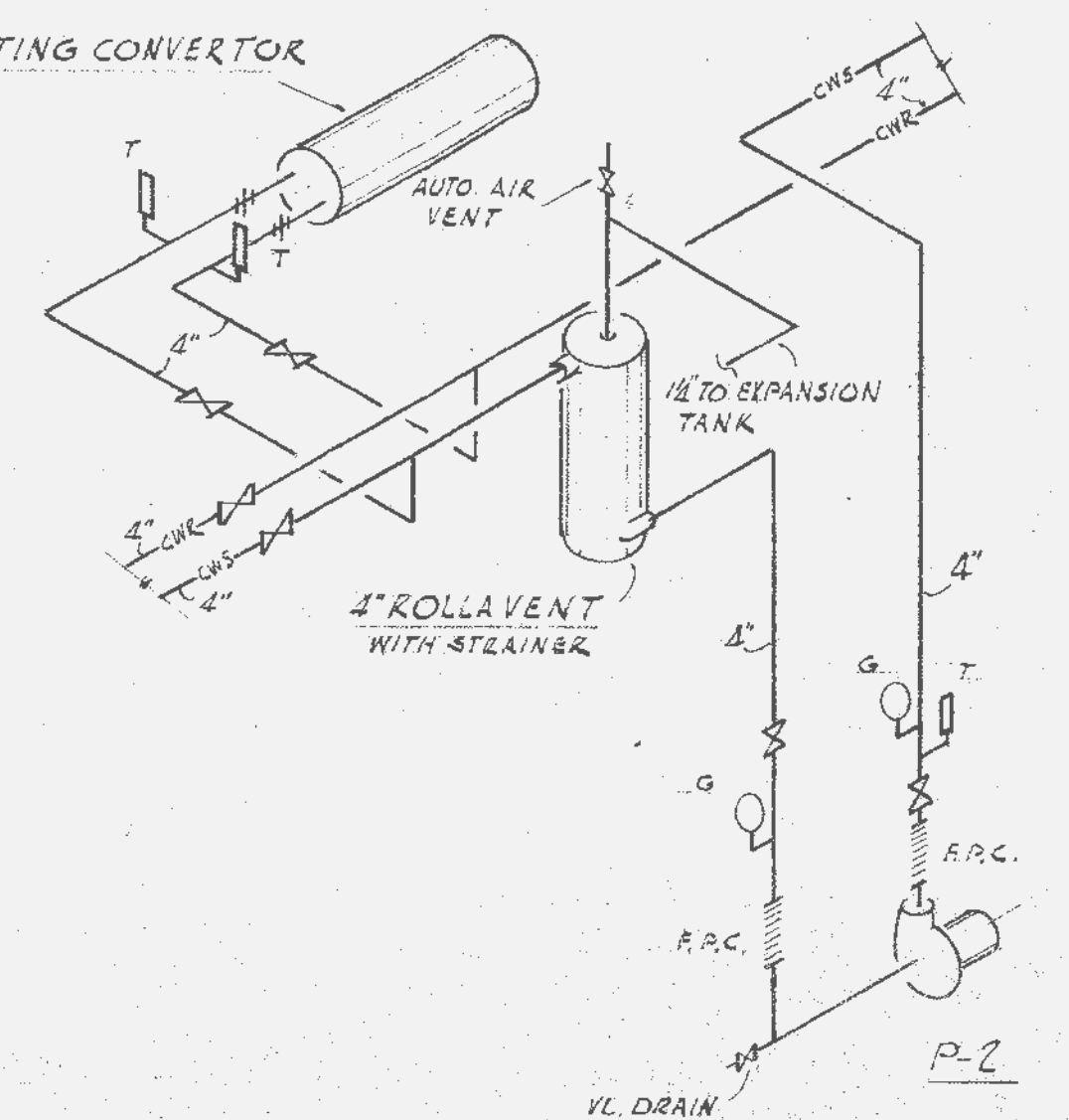
DETAIL OF TYPICAL PIPING AT OIL BURNER



DETAIL, PIPING @ LOW PRESSURE BOILERS



DETAIL OF 140° HOT WATER SYSTEM  
180° H.W. SYSTEM SIMILAR



DETAIL OF PIPING AT COMBINATION CHILLED AND HOT WATER ZONE PUMP

AIR HANDLING UNIT SCHEDULE												
UNIT NO.	CFM	EXT. SP.	TOTAL SP.	OV.	RPM	BHP	COMBINATION HTG. COOLING COIL	HTG. COIL	FILTER	MOTOR HP.	AMERICAN BLOWER UNIT SIZE	
							FACE AREA	FACE AREA				
AH-1	4,000	1/2	1-1/4	1170	509	1.30	6	8.9	NONE	15.9	2	1A18
AH-2	2,000	1/2	1-1/4	1290	904	.70	6	4.9	"	7.1	1	1A12
AH-3	2,000	1/2	1-1/4	1420	906	.73	6	4.9	"	7.1	1	1A12
AH-4	1,400	1/2	1-1/4	1685	1290	.53	6	3.2	"	7.1	3/4	1A9
AH-5	1,500	3/8	1-1/4	1805	1302	.59	6	4	3.2	7.1	3/4	1A9
AH-6	10,000	1/2	1-1/4	1460	609	3.25	6	21.9	NONE	31.3	5	2A18
AH-7	10,000	1/2	1-1/4	1460	609	3.25	6	21.9	"	31.3	5	2A18
AH-8	1,200	3/8	1-1/4	1450	1274	4.3	6	3.2	"	3.5	1/2	1A9

DATE: \_\_\_\_\_  
 DRAWN BY: C.F.  
 FOR THE SISTERS OF THE MOST PRECIOUS BLOOD  
 MOTHER M. LORENZA, C.P.A.S.-MOTHER GENERAL  
 A.F. & ARTHUR STAUDER, ARCHITECTS  
 3608 SOUTH GRAND BLVD., ST. LOUIS 18, MISSOURI  
 PAUL LONDE & ASSOC. CONSULTING ENGINEERS

