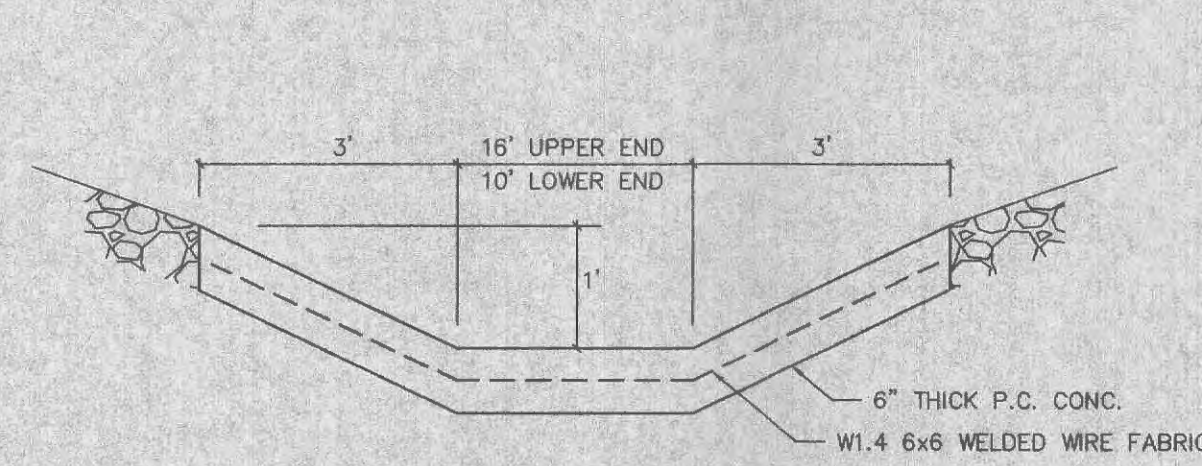
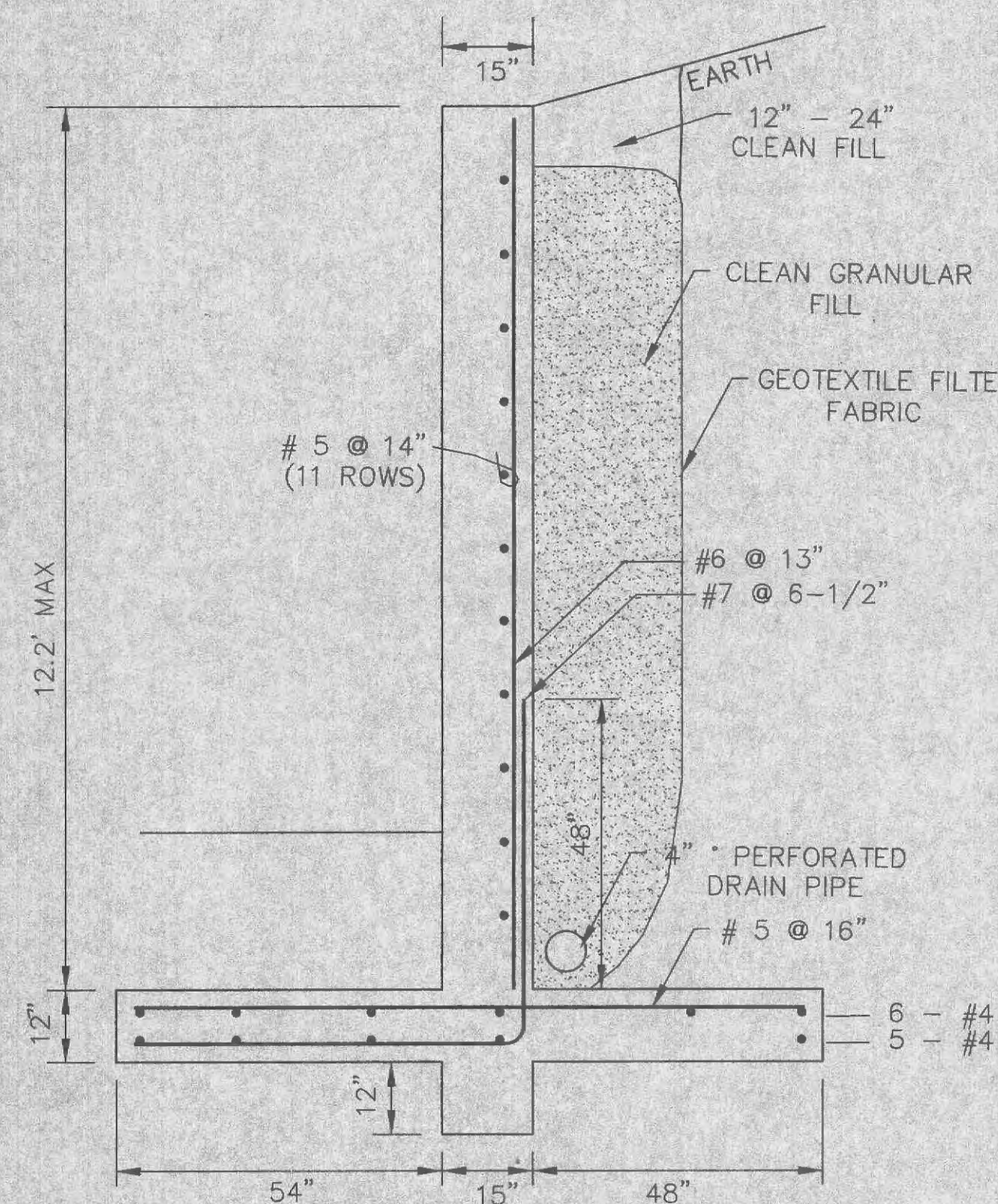


STORM PROFILES
1" = 30' H 1" = 3' V

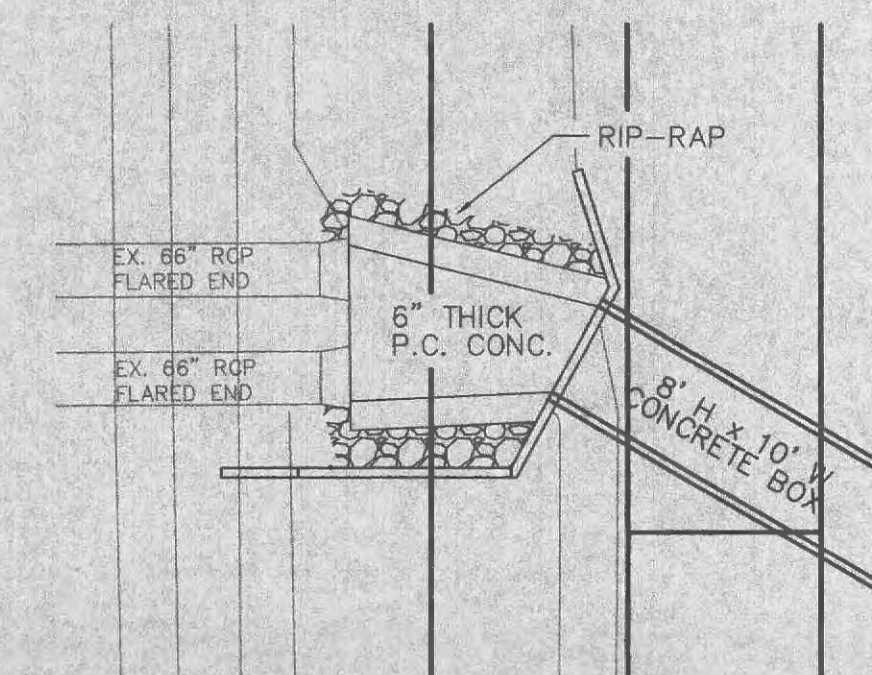
DETENTION STORAGE DETAIL
NOT TO SCALE

GENERAL NOTES: RETAINING WALL

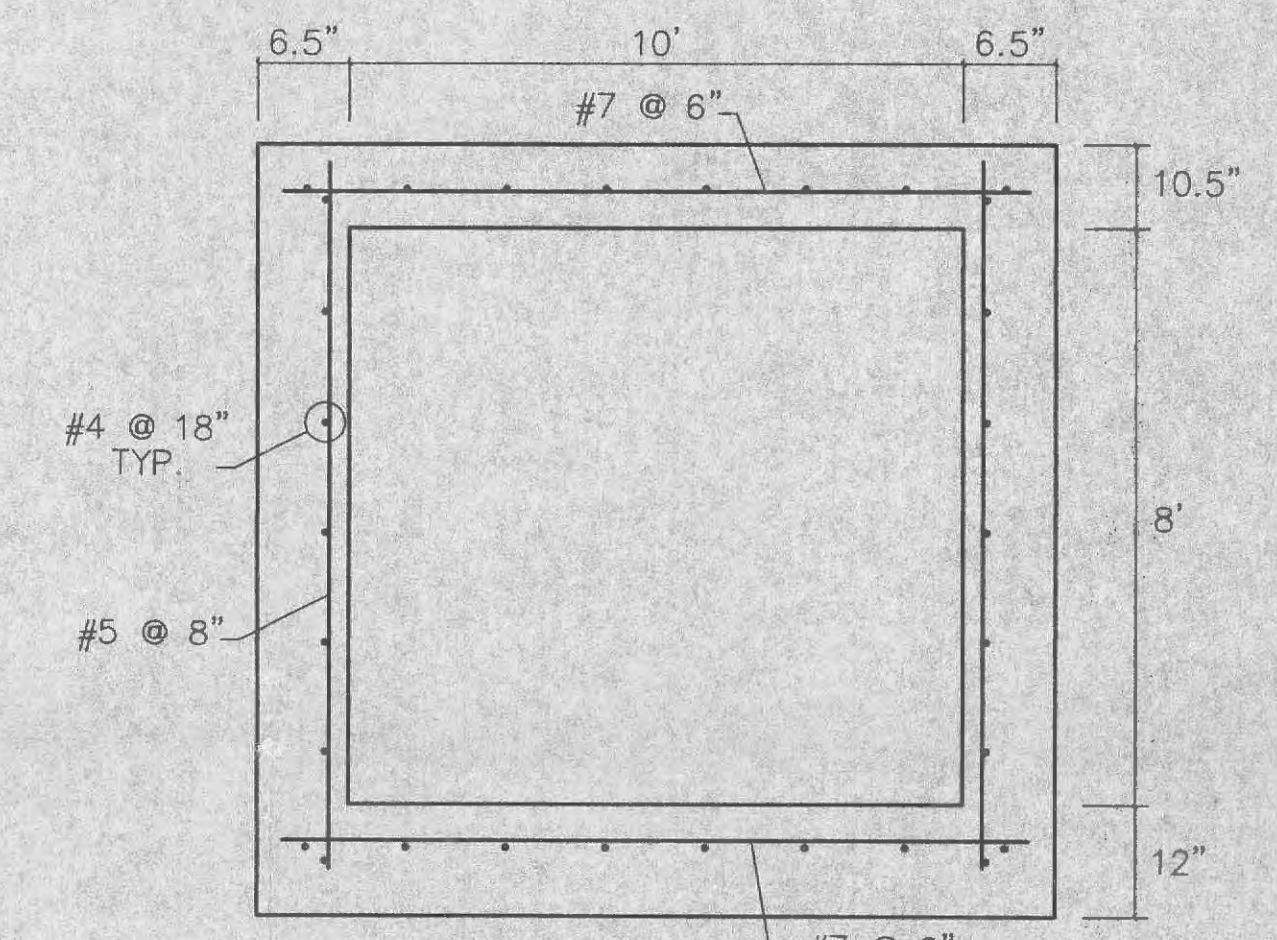
- 1) Concrete f'c: 3,000 psi
- 2) Reinforcing Steel: Grade 40 (min) f's: 20,000 psi (min)
- 3) Lap all reinforcing bars 12" minimum at splices unless otherwise noted.
- 4) Clear distance for reinforcement: Bottom reinforcement of footings: 3" All other locations: 2"
- 5) Bottom of footings of reinforced concrete wall shall be a minimum of 30" below the ground surface.



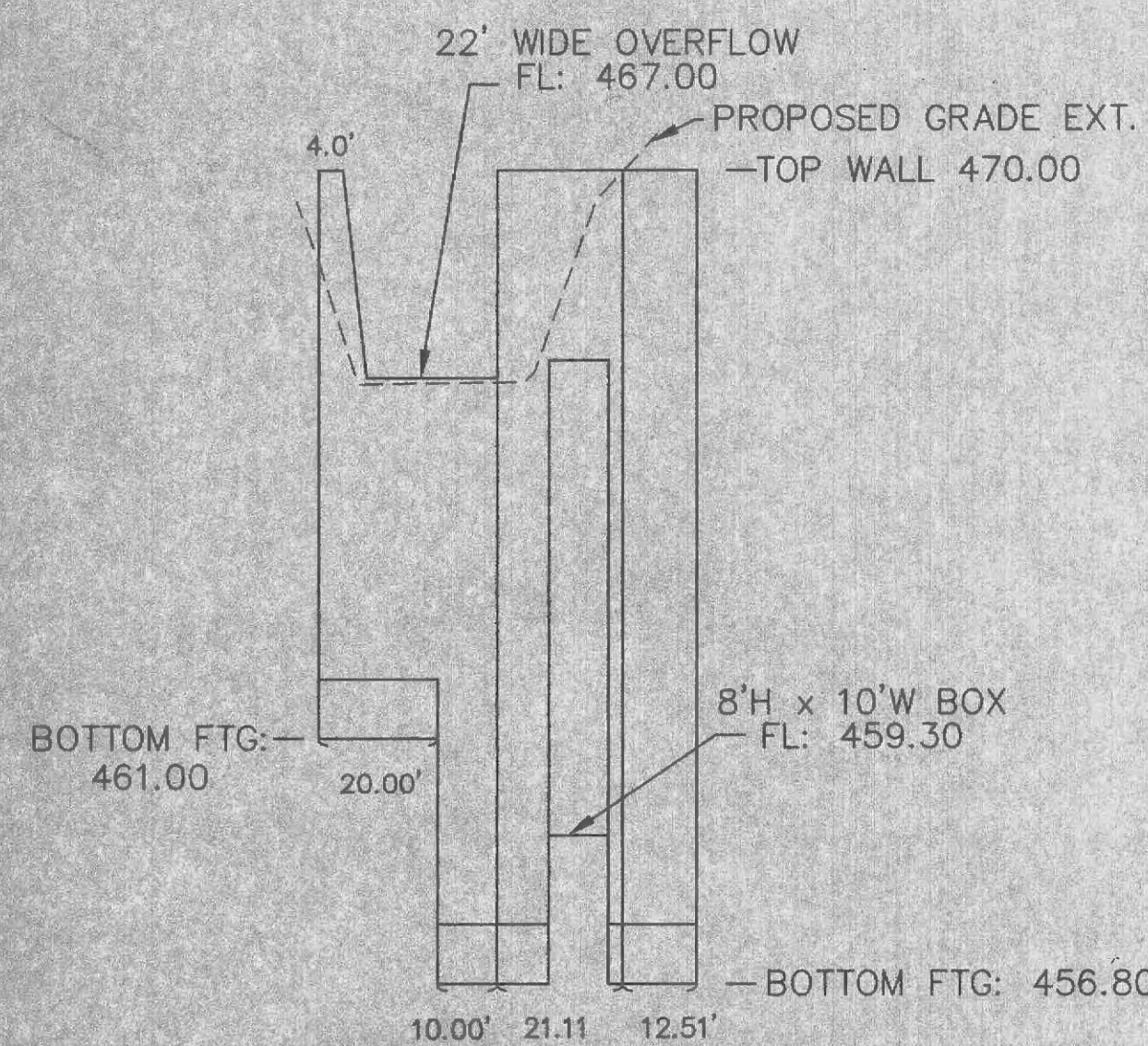
PAVED SWALE DETAIL
NOT TO SCALE



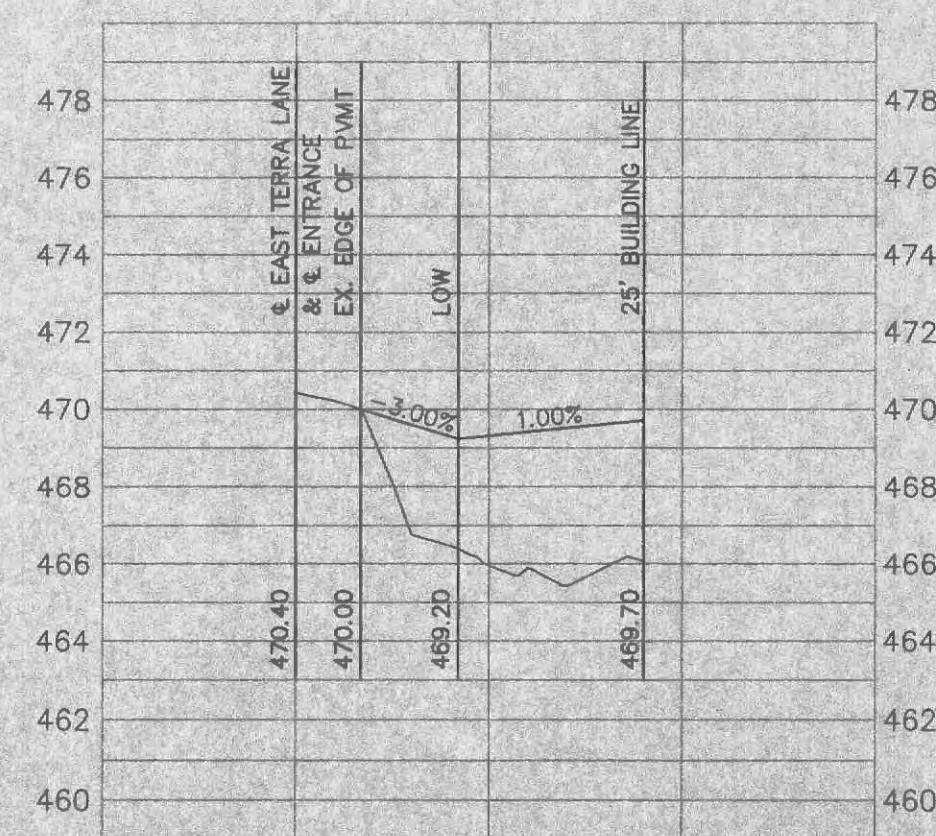
PAVED SWALE DETAIL
1" = 30'



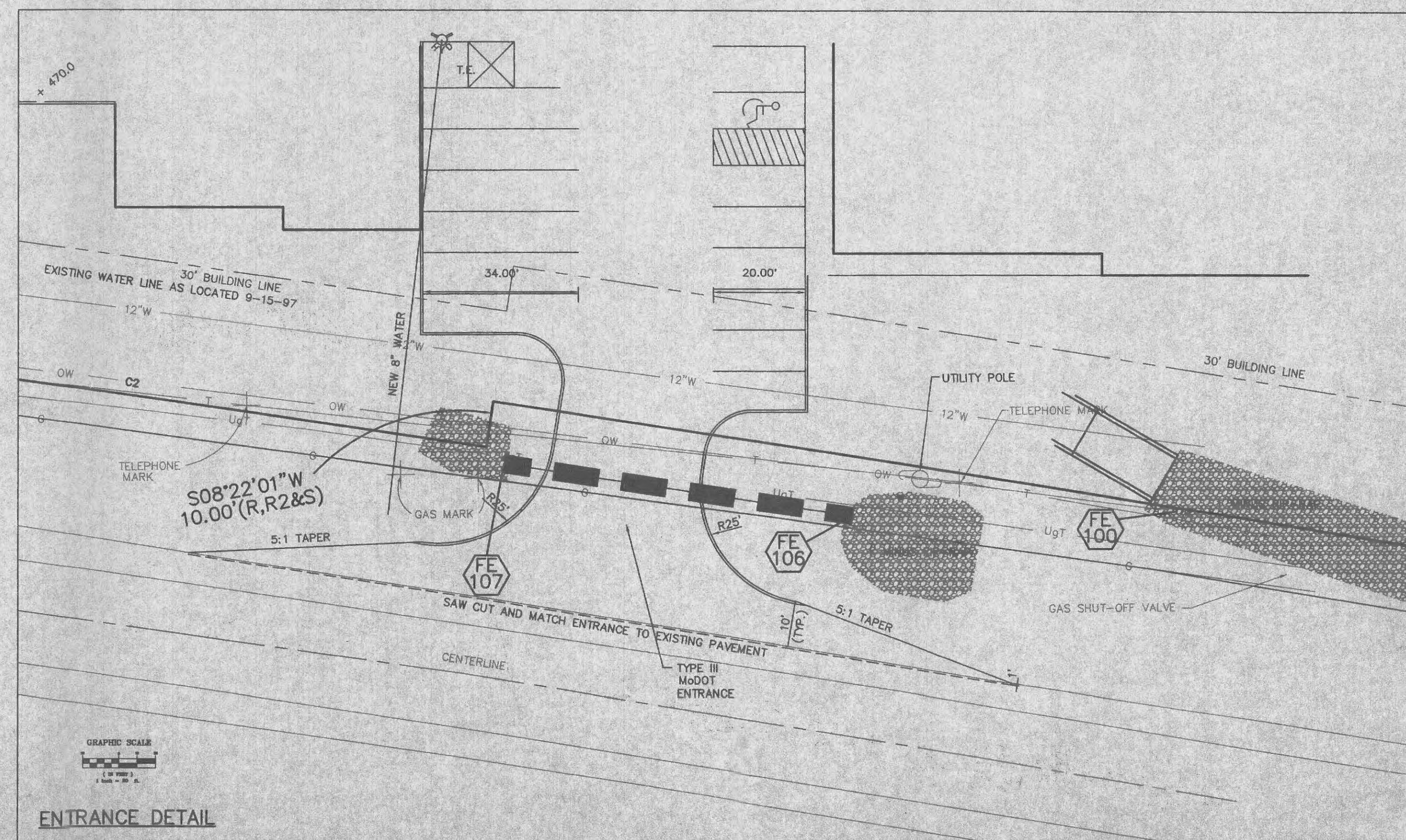
8'x10' BOX CULVERT DETAIL
NOT TO SCALE



SECTION A-A
WALL AT EP 101
1" = 30' H 1" = 3' V



ENTRANCE PROFILES
1" = 30' H 1" = 3' V



ENTRANCE DETAIL

PREPARED FOR:
JOHN BURROWS
STORAGE MASTERS
30251 VIA FESTIVO
SAN JUAN CAP, CA
(714) 443-0993

PREPARED FOR:

DISCLAIMER OF RESPONSIBILITY
I hereby certify that the documents intended to be authorized by my seal are limited to the sheet, and I hereby disclaim any responsibility for all other Drawings, Specifications, Estimates, Reports or other documents or instruments relating to or intended to be used for any part or parts of the architectural or engineering project or survey.

Copyright 1998
Blue Engineering Company, Inc.
All Rights Reserved

REVISIONS	
10-22-97	STATE ENTRANCE

BEI
ENGINEERING
PLANNING
SURVEYING
1052 South Cloverleaf Drive
St. Peters, MO. 63376-8445
314-928-5552
FAX 928-1716

4-23-97
DATE
97-9035
PROJECT NUMBER
2 OF 3
SHEET OF
9035CON.DWG
FILE NAME
ADJ RLF
DRAWN CHECKED