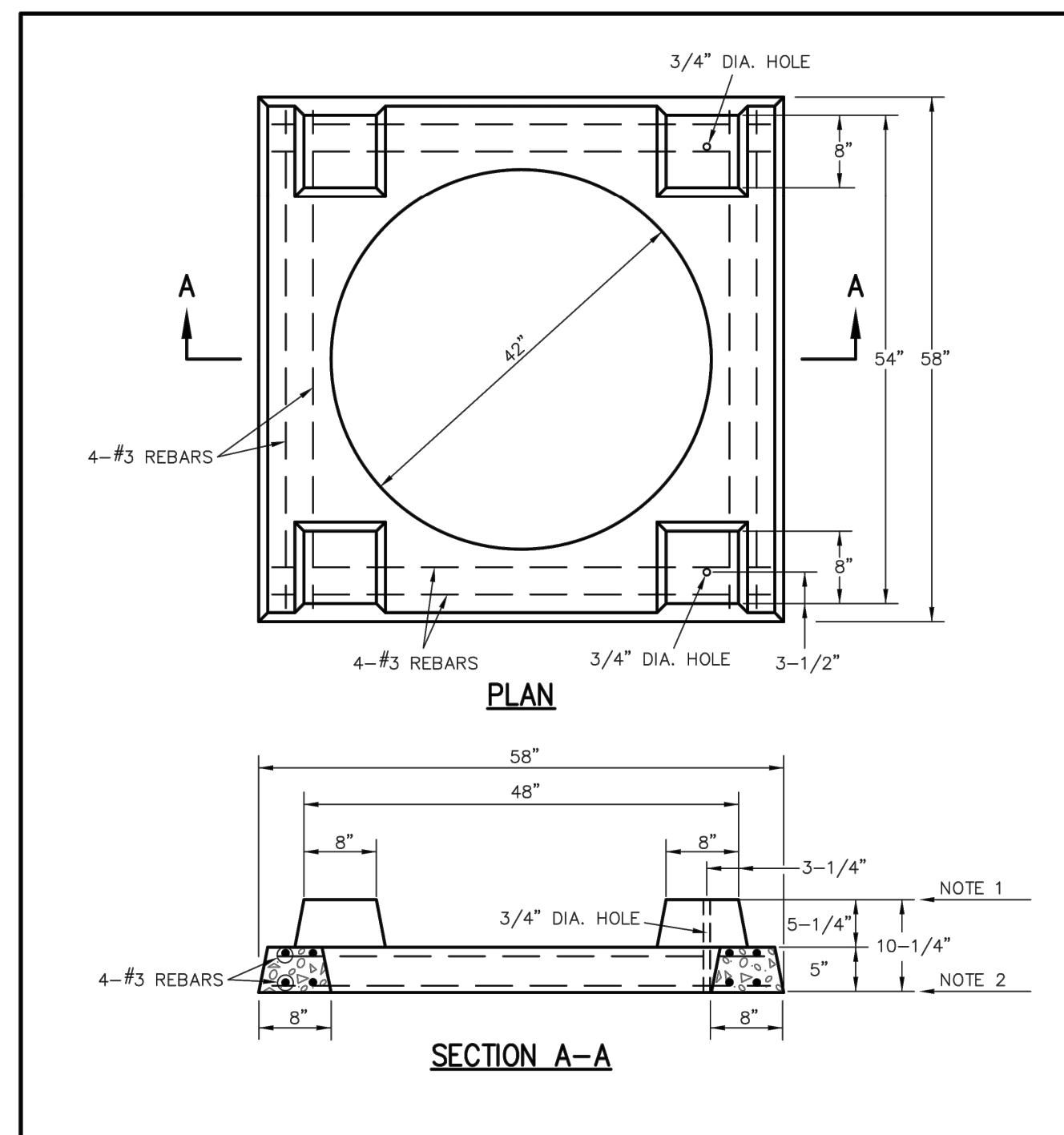
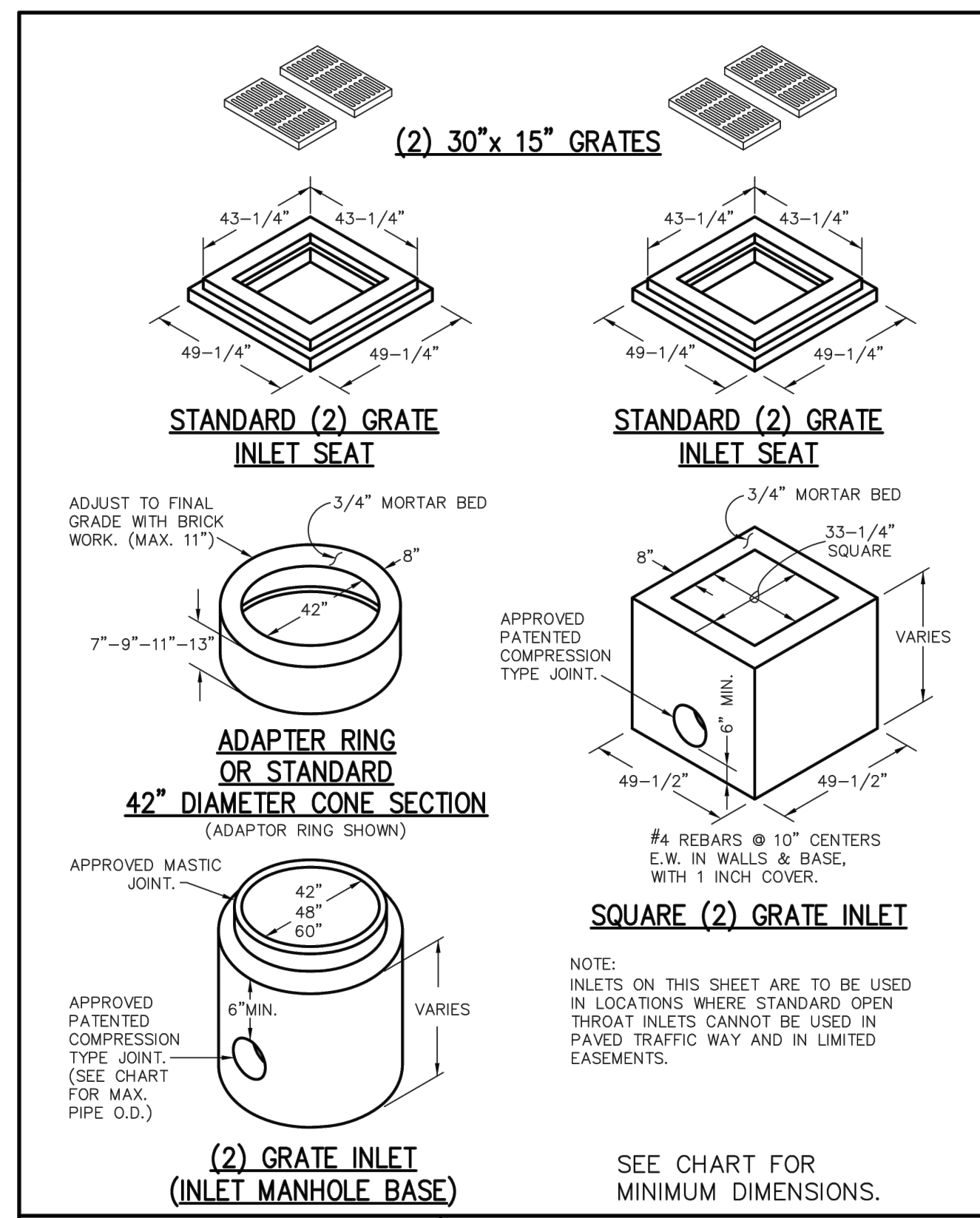


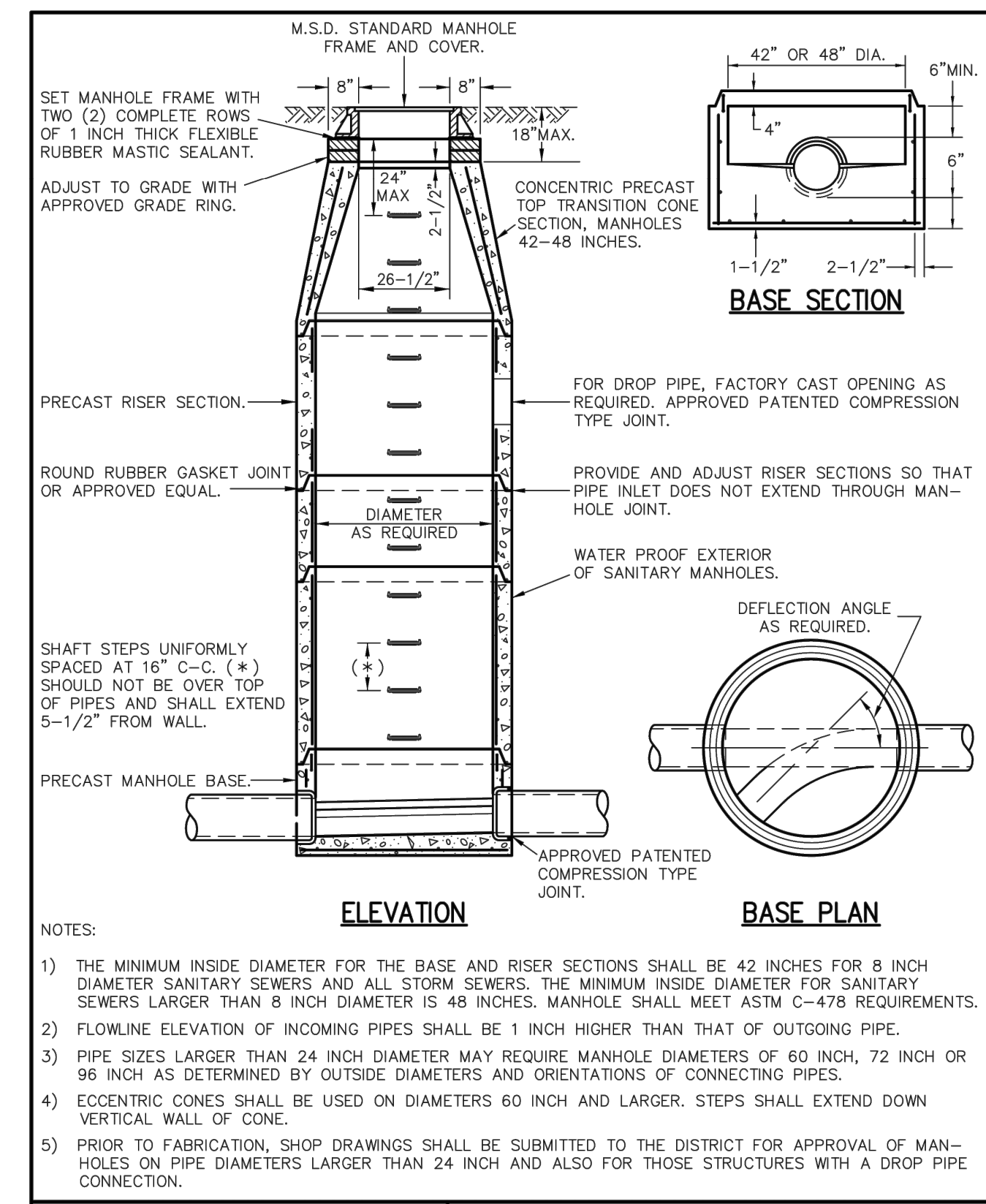
AREA INLET PRECAST CONCRETE	METROPOLITAN ST. LOUIS SEWER DISTRICT <i>Standard Details of Sewer Construction</i>	Dr. JLG/SAM Ch. J.C.K.	2009	SHEET 34
--------------------------------	--	---------------------------	------	----------



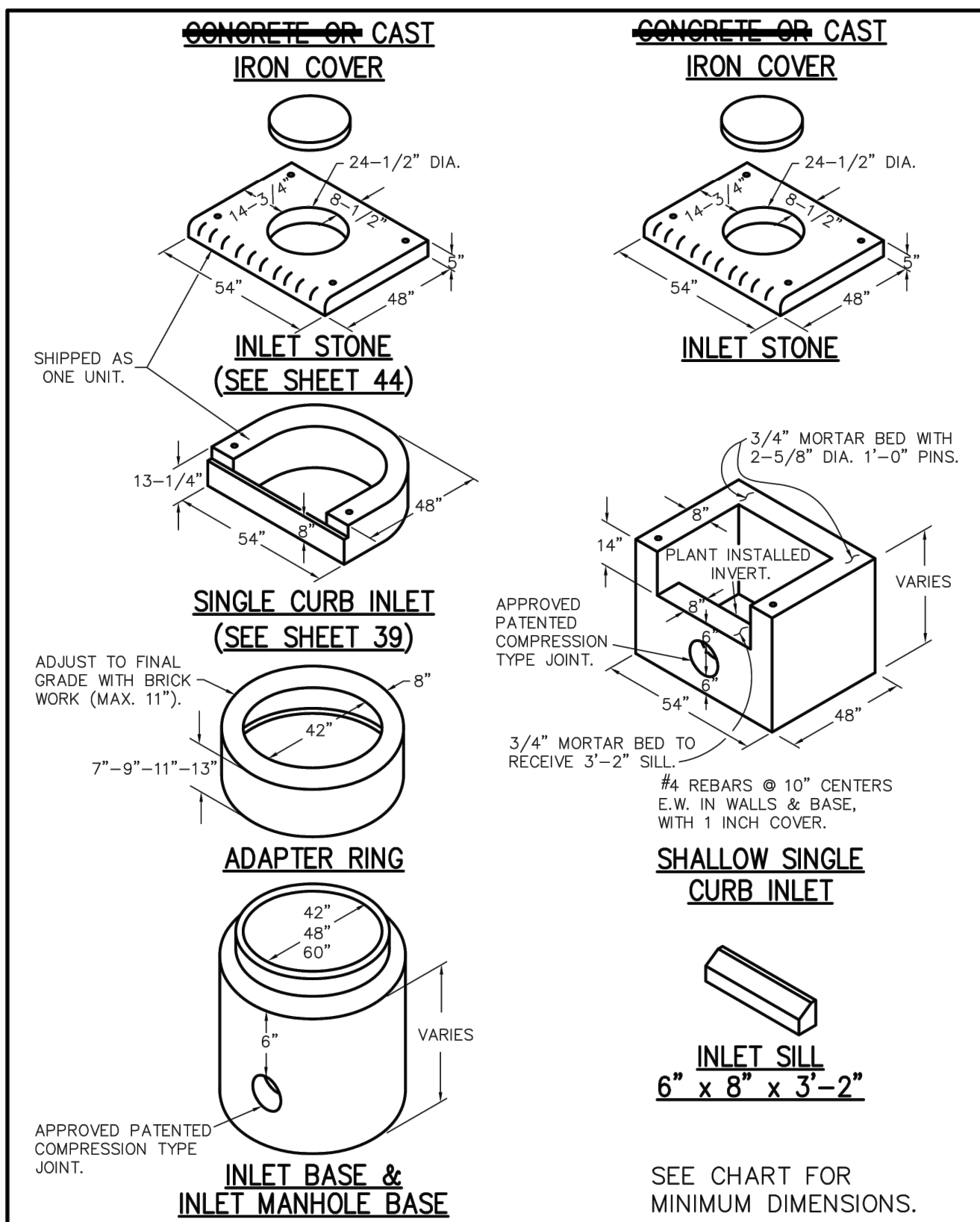
PRECAST CONCRETE UNIT FOR 4 WAY AREA INLET	METROPOLITAN ST. LOUIS SEWER DISTRICT <i>Standard Details of Sewer Construction</i>	Dr. DAB/SAM Ch. J.C.K.	2009	SHEET 40
--	--	---------------------------	------	----------



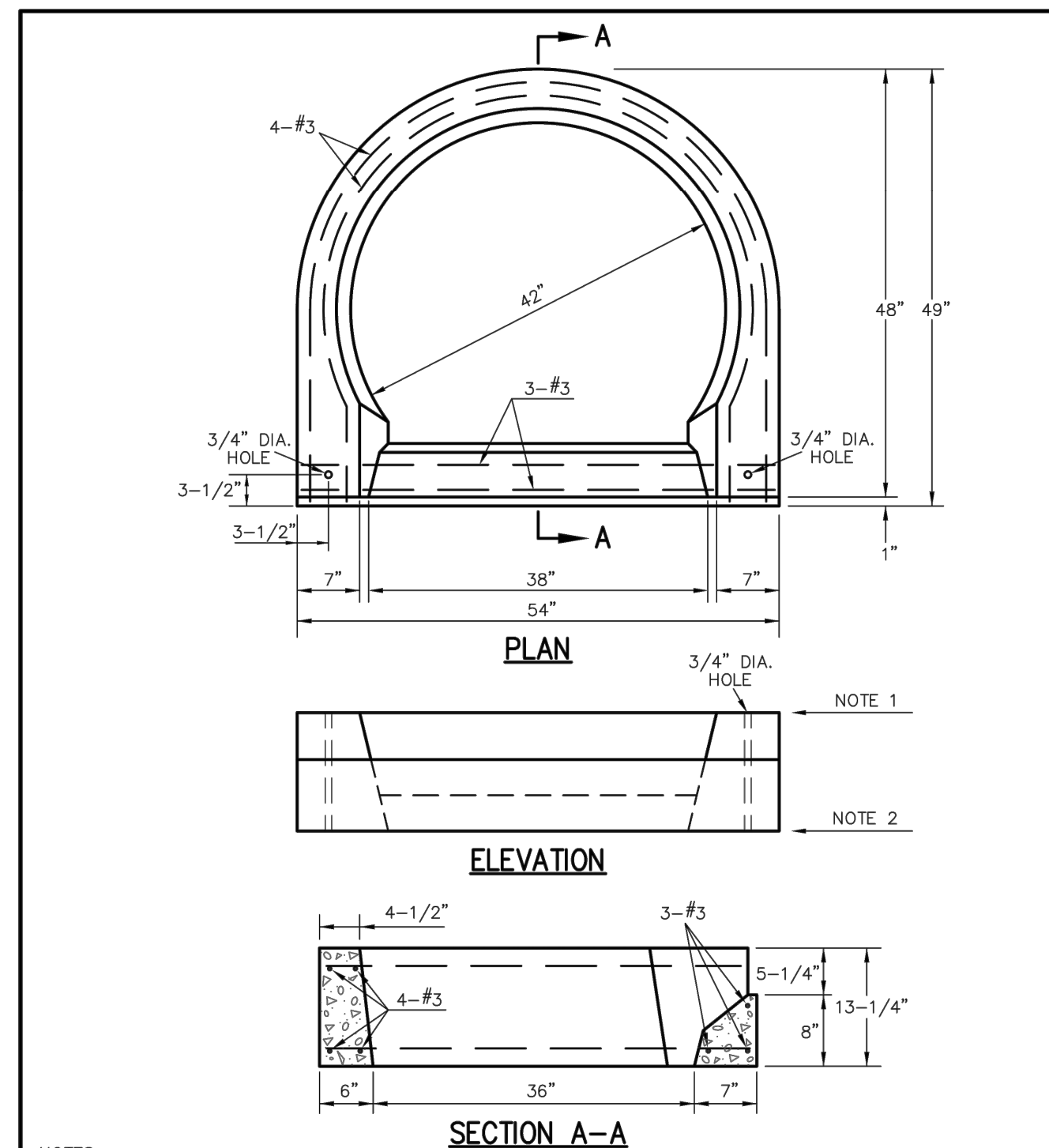
2 GRATE INLETS PRECAST CONCRETE	METROPOLITAN ST. LOUIS SEWER DISTRICT <i>Standard Details of Sewer Construction</i>	Dr. JLG/SAM Ch. J.C.K.	2009	SHEET 35
------------------------------------	--	---------------------------	------	----------



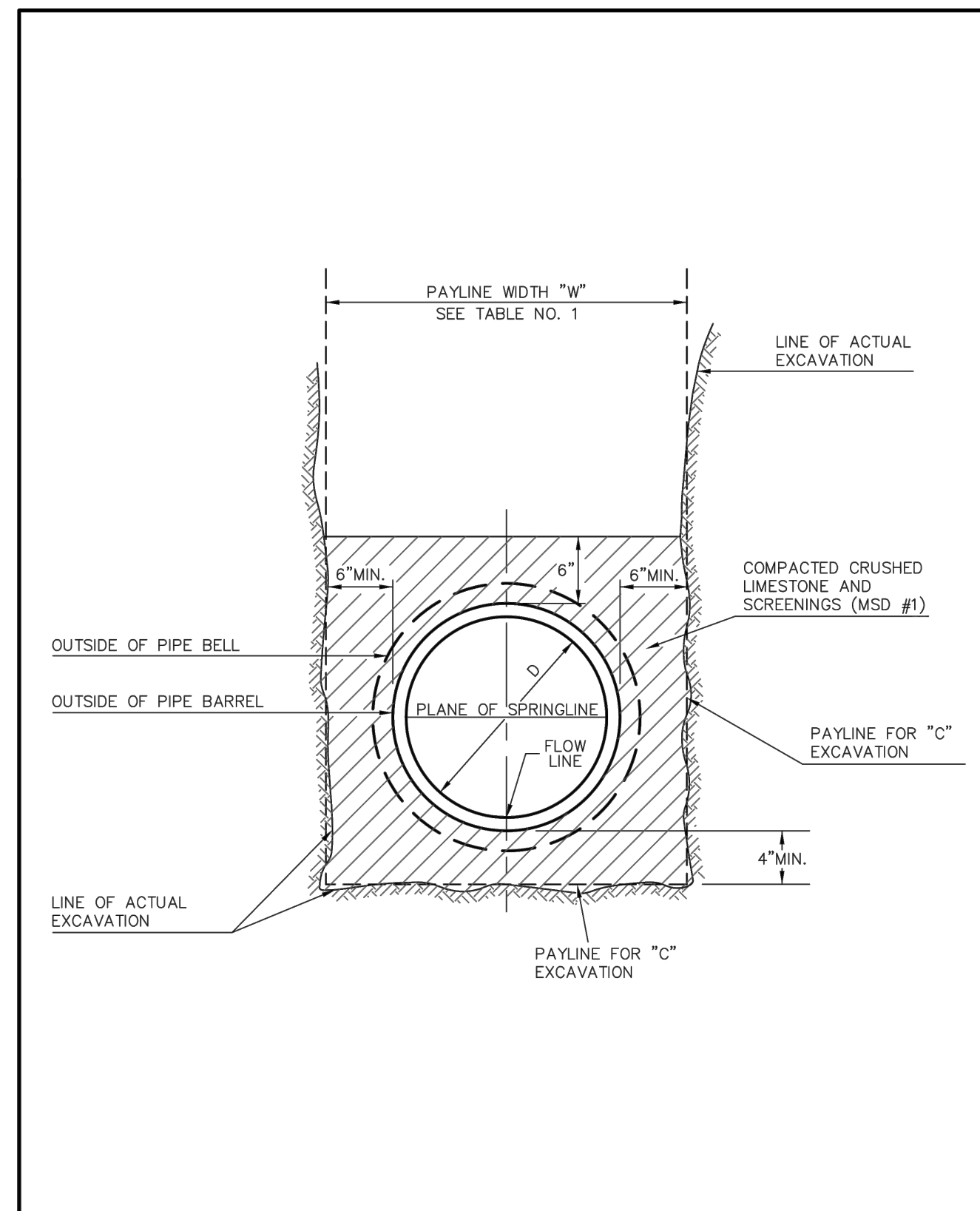
PRECAST CONCRETE MANHOLE	METROPOLITAN ST. LOUIS SEWER DISTRICT <i>Standard Details of Sewer Construction</i>	Dr. WSH/SAM Ch. J.C.K.	2009	SHEET 21 (REV)
--------------------------	--	---------------------------	------	-------------------



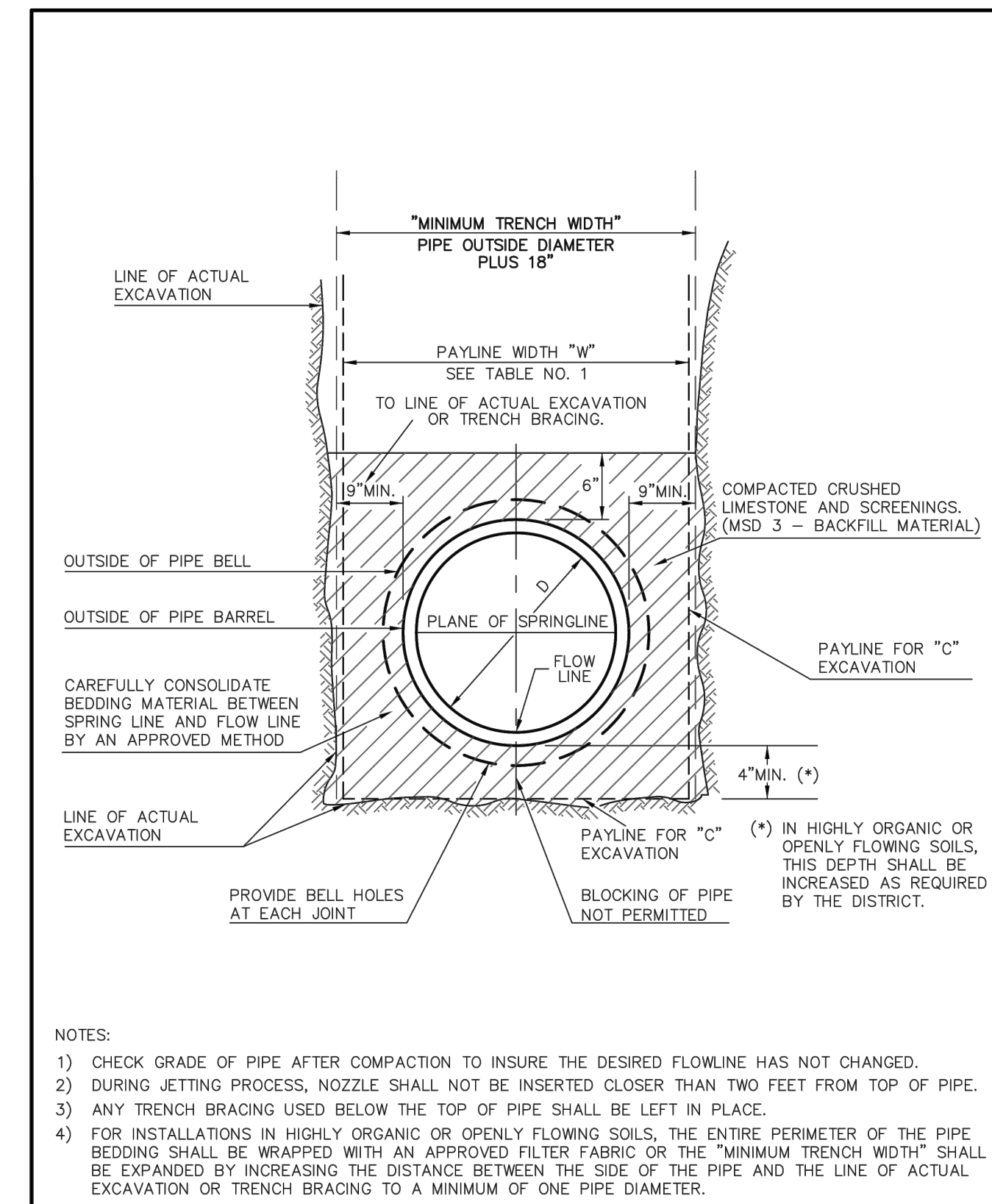
SINGLE STREET INLETS PRECAST CONCRETE	METROPOLITAN ST. LOUIS SEWER DISTRICT <i>Standard Details of Sewer Construction</i>	Dr. JLG/SAM Ch. J.C.K.	2009	SHEET 36
--	--	---------------------------	------	----------



PRECAST CONCRETE UNIT FOR SINGLE STREET INLET	METROPOLITAN ST. LOUIS SEWER DISTRICT <i>Standard Details of Sewer Construction</i>	Dr. WSH/SAM Ch. J.C.K.	2009	SHEET 39
---	--	---------------------------	------	----------



PIPE BEDDING CLASS "C" (FOR ALL 6" TO 18" PIPE EXCEPT REINFORCED CONCRETE PIPE)	METROPOLITAN ST. LOUIS SEWER DISTRICT <i>Standard Details of Sewer Construction</i>	Dr. W.S.H. Ch. J.C.K.	2009	SHEET 4
---	--	--------------------------	------	---------



PIPE BEDDING FOR FLEXIBLE PIPE 21" - 48" DIAMETER	METROPOLITAN ST. LOUIS SEWER DISTRICT <i>Standard Details of Sewer Construction</i>	Dr. P.T.K. Ch. D.R.M.	2009	SHEET 6
---	--	--------------------------	------	---------

\* All other Storm or Sanitary Sewer Details will be by M.S.D. Standards and Specifications.  
 \*\* All inlets shall have 5/8" trash bar centered with the opening(s).

636-584-0540 (tel.)  
 636-584-0512 (fax)  
 mail@ochran.com  
 630A E. Independence Dr.  
 Union, Missouri 63084

**CHORAN**  
 Civil Engineering  
 Land Surveying  
 Architecture  
 Site Development  
 General Consulting  
 Master Planning

Missouri State Certificate of Authority Numbers:  
 Survey: 000380  
 Engineering: 001655  
 Architecture: 2002014240

Three working days prior to the start of any excavation, call 1-800-UGC-RTIC for utility location information.

All OSHA rules & regulations apply to all construction projects. Plans shall be strictly followed (i.e. trenching, blasting, etc.).

STATE OF MISSOURI  
 REGISTERED PROFESSIONAL ENGINEER  
 License No. 11310  
 J. Clayton O'Fallon  
 PE-2006002845

THE STREETS OF CALEDONIA  
 PHASE II RESIDENTIAL  
 O'FALLON, MISSOURI

DATE:	DATE:
DESIGN BY:	APPROVED BY:
TJG	ERR
DATE:	DATE:
JAN. 13, 2021	
SCALE:	SCALE:
NO SCALE	
PROJECT NO.:	PROJECT NO.:
17-6821	
DWG. NO.:	DWG. NO.:

OWNER/DEVELOPER:  
 DD LAND DEVELOPMENT, LLC  
 10407 BAUR BLVD, SUITE B  
 ST. LOUIS, MO 63132

**C14.04**

Drawing name: F:\17-6821 - 260 Acre Tract along Hwy 40, O'Fallon, MO\AutoCad Drawings\6821 - Plan Sheets\Construction Drawings\PH2 Residential Plans\32-Detail Sheet Phase 2.dwg Tab: C14.04 Plotted on: Jan 13, 2021 - 3:49pm Plotted by: jmeyer