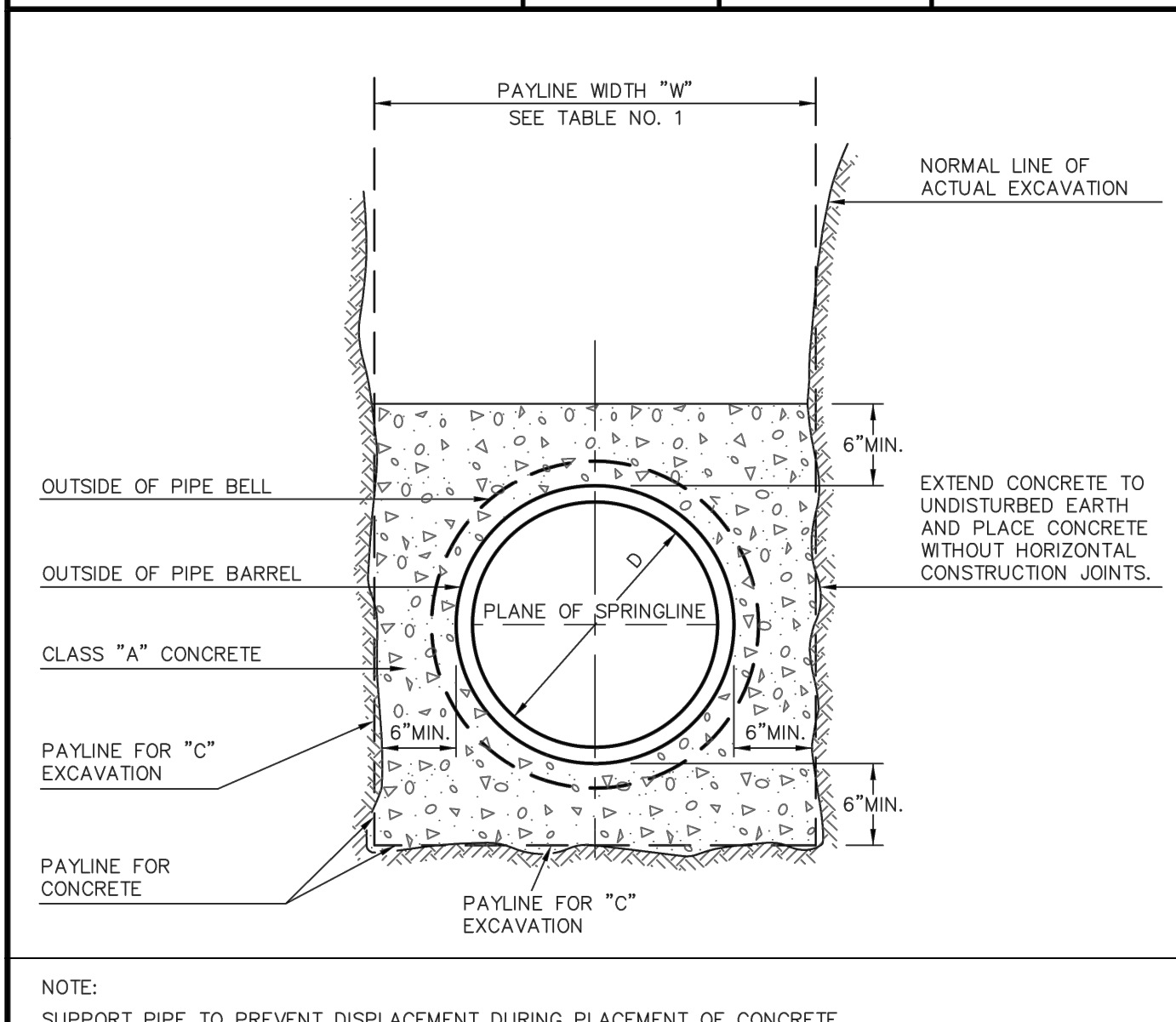
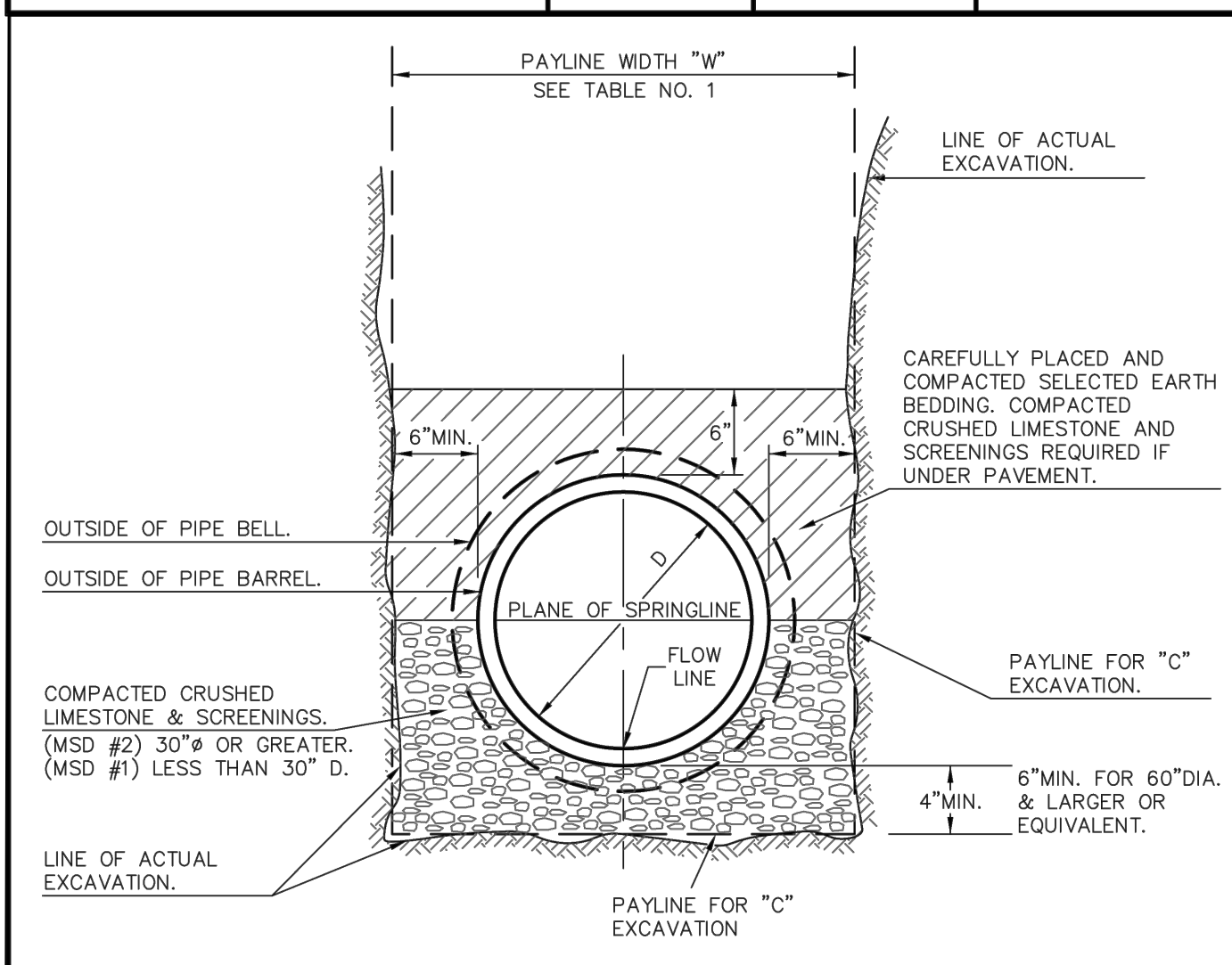


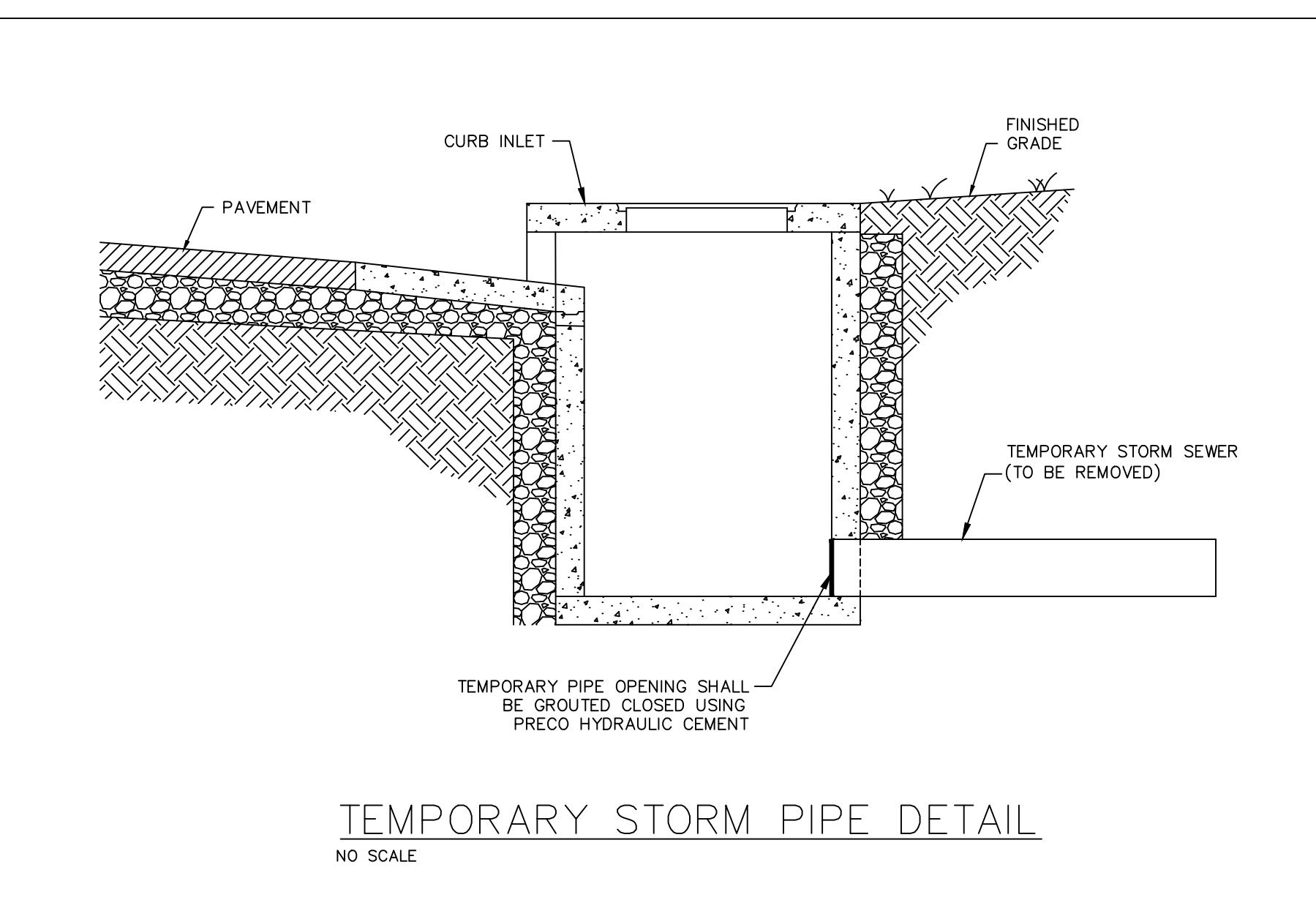
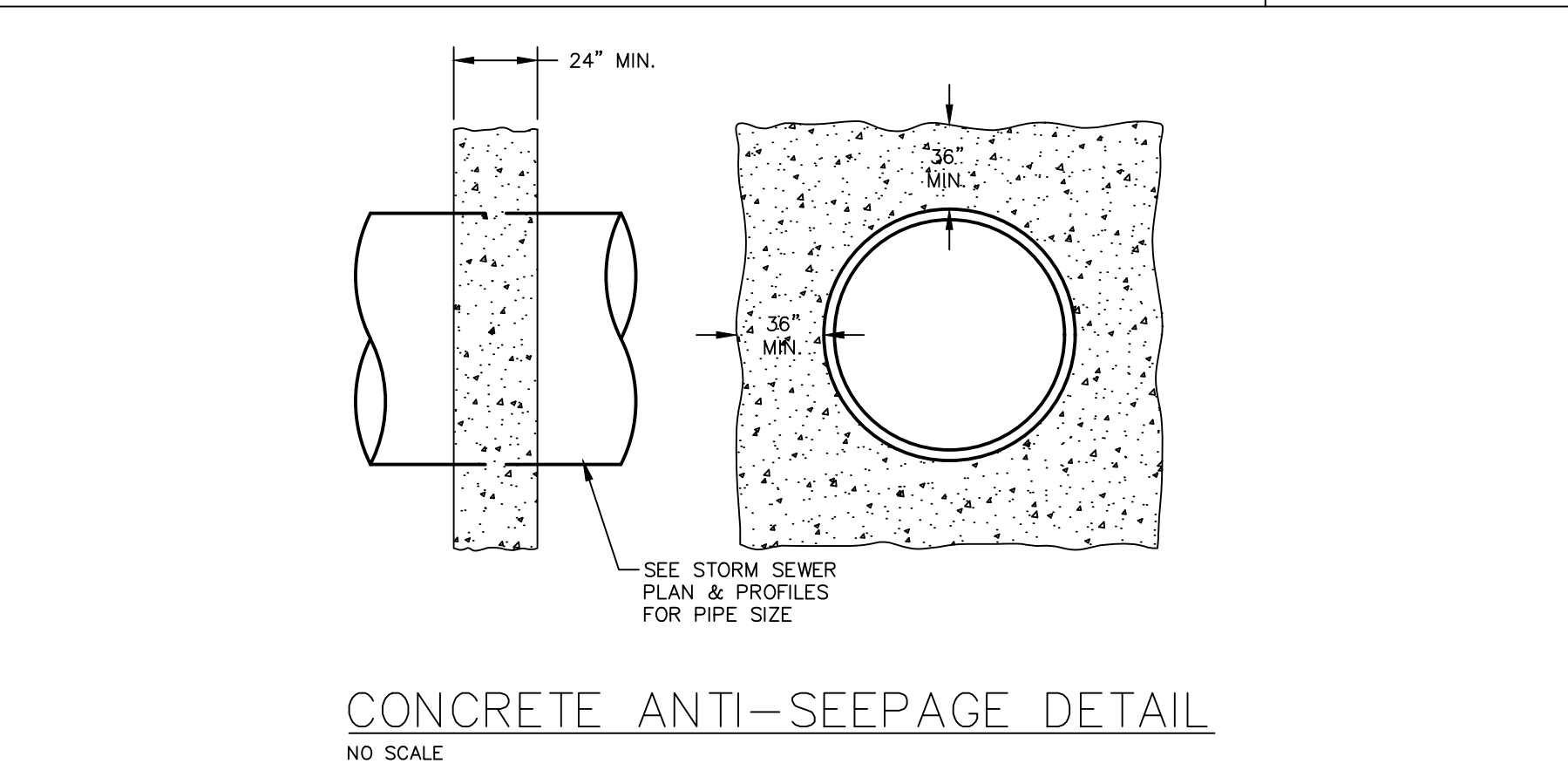
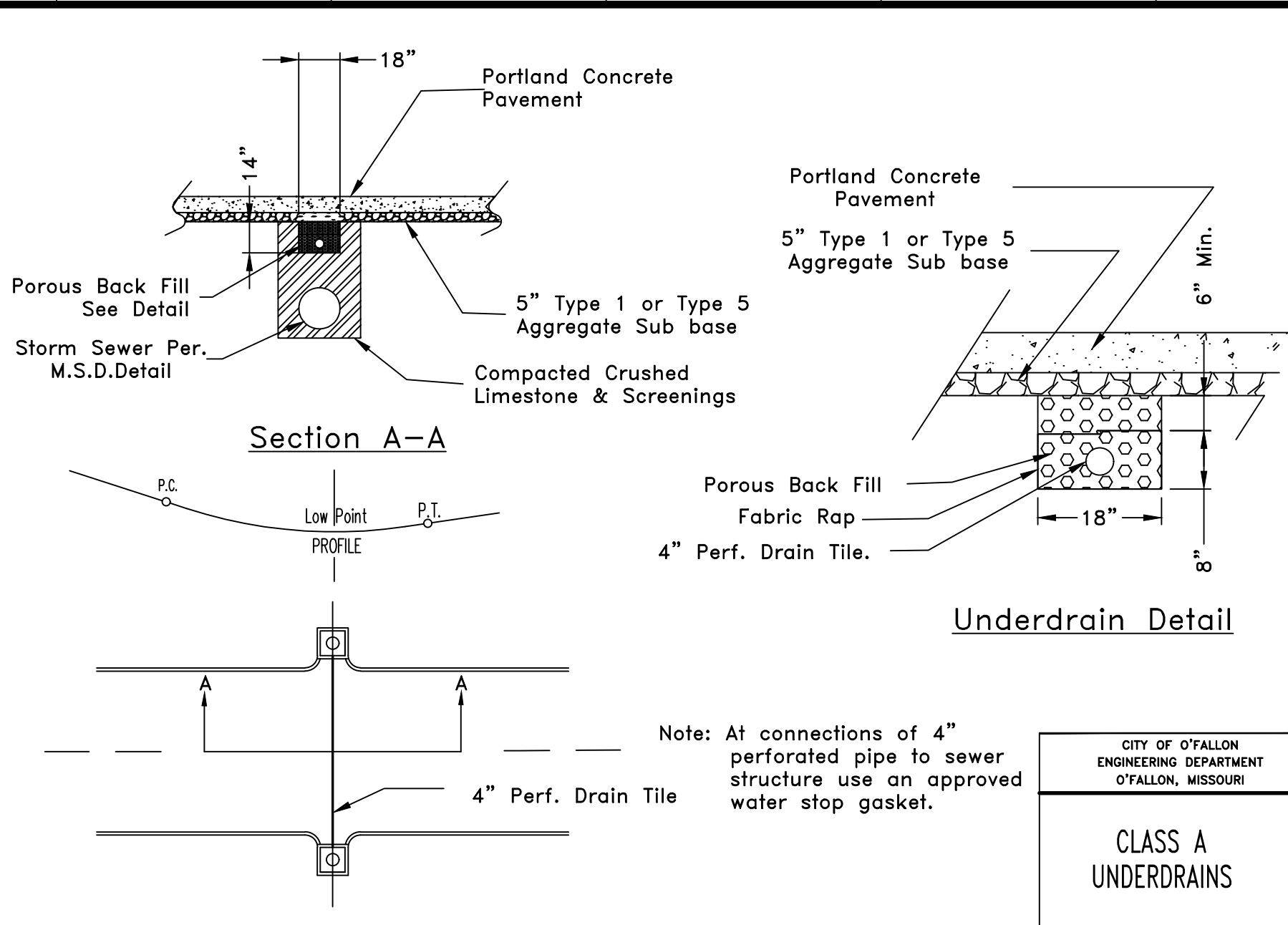
|  |      |         |  |
|--|------|---------|--|
| <b>CONCRETE CRADLE</b>   |      |         |  |
| METROPOLITAN ST. LOUIS SEWER DISTRICT<br><i>Standard Details of Sewer Construction</i> |      |         |  |
| Dr. WSH/SAM<br>Ch. J.C.K.  | 2009 | SHEET 9 |  |



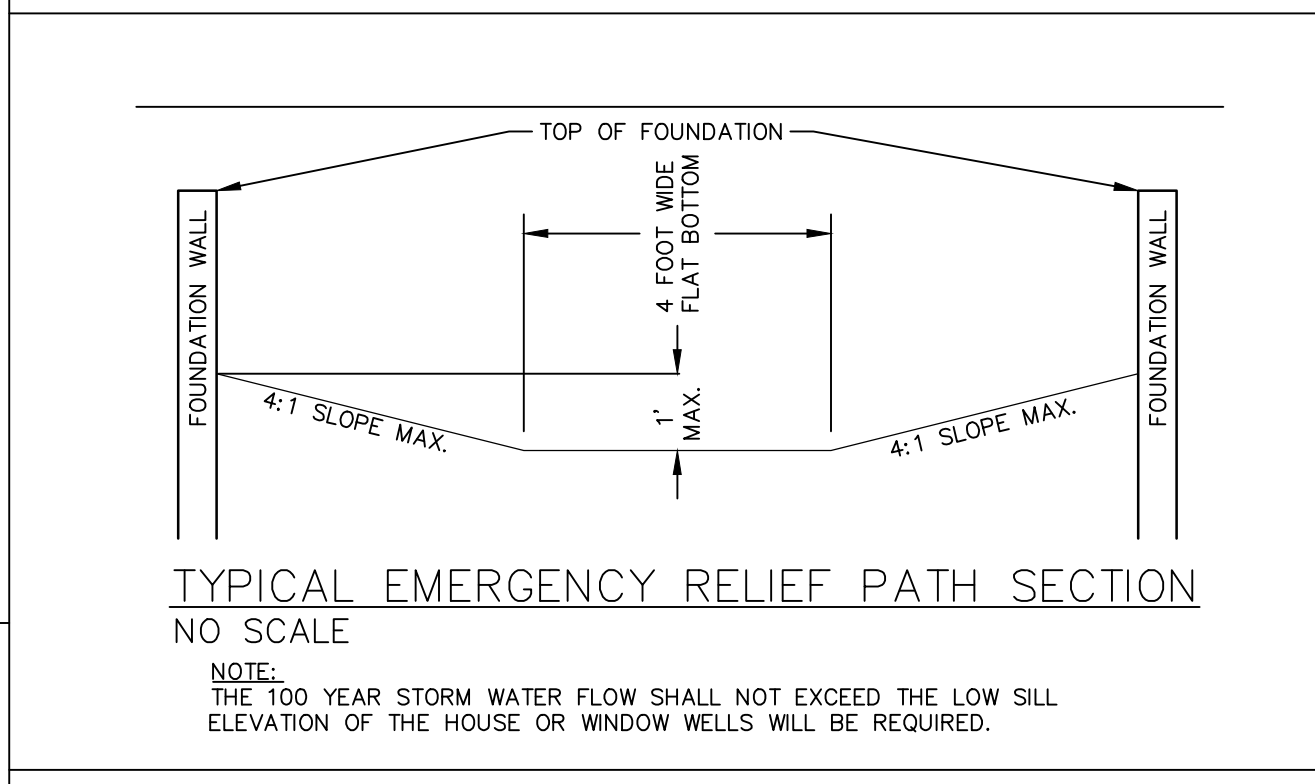
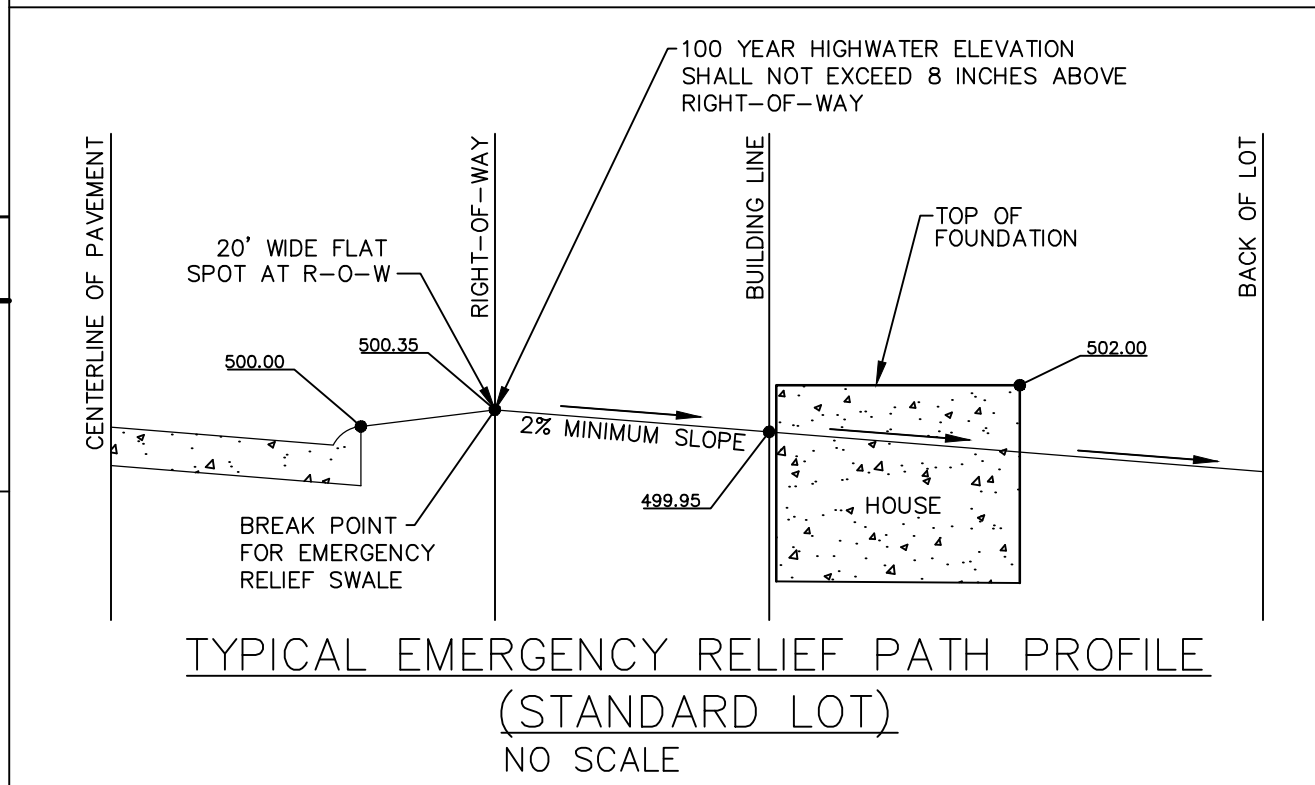
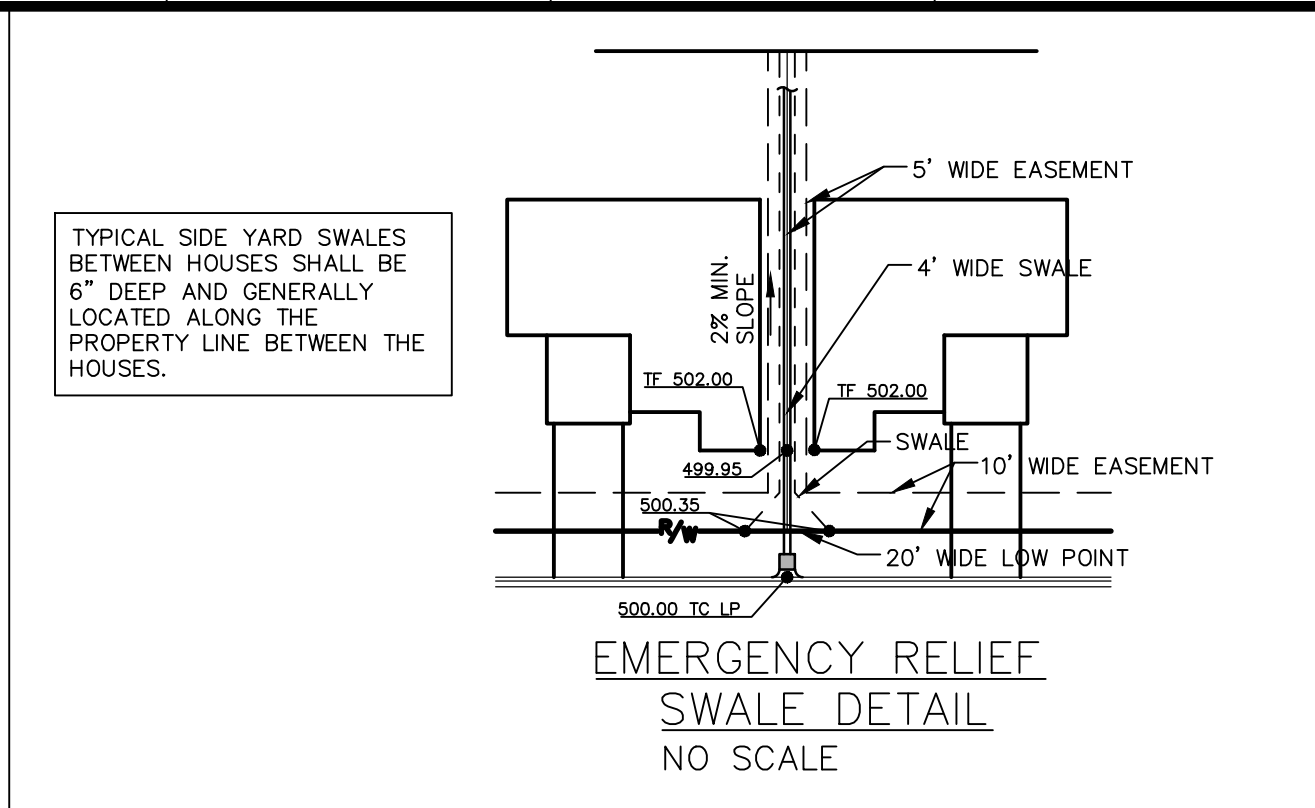
|  |      |         |  |
|--|------|---------|--|
| <b>CONCRETE ENCASEMENT</b>   |      |         |  |
| METROPOLITAN ST. LOUIS SEWER DISTRICT<br><i>Standard Details of Sewer Construction</i> |      |         |  |
| Dr. W.S.H.<br>Ch. J.C.K.   | 2009 | SHEET 8 |  |



|  |      |         |  |
|--|------|---------|--|
| <b>PIPE BEDDING CLASS 'C' (MODIFIED FOR REINFORCED CONCRETE PIPE)</b>                  |      |         |  |
| METROPOLITAN ST. LOUIS SEWER DISTRICT<br><i>Standard Details of Sewer Construction</i> |      |         |  |
| Dr. W.S.H.<br>Ch. J.C.K.   | 2009 | SHEET 5 |  |



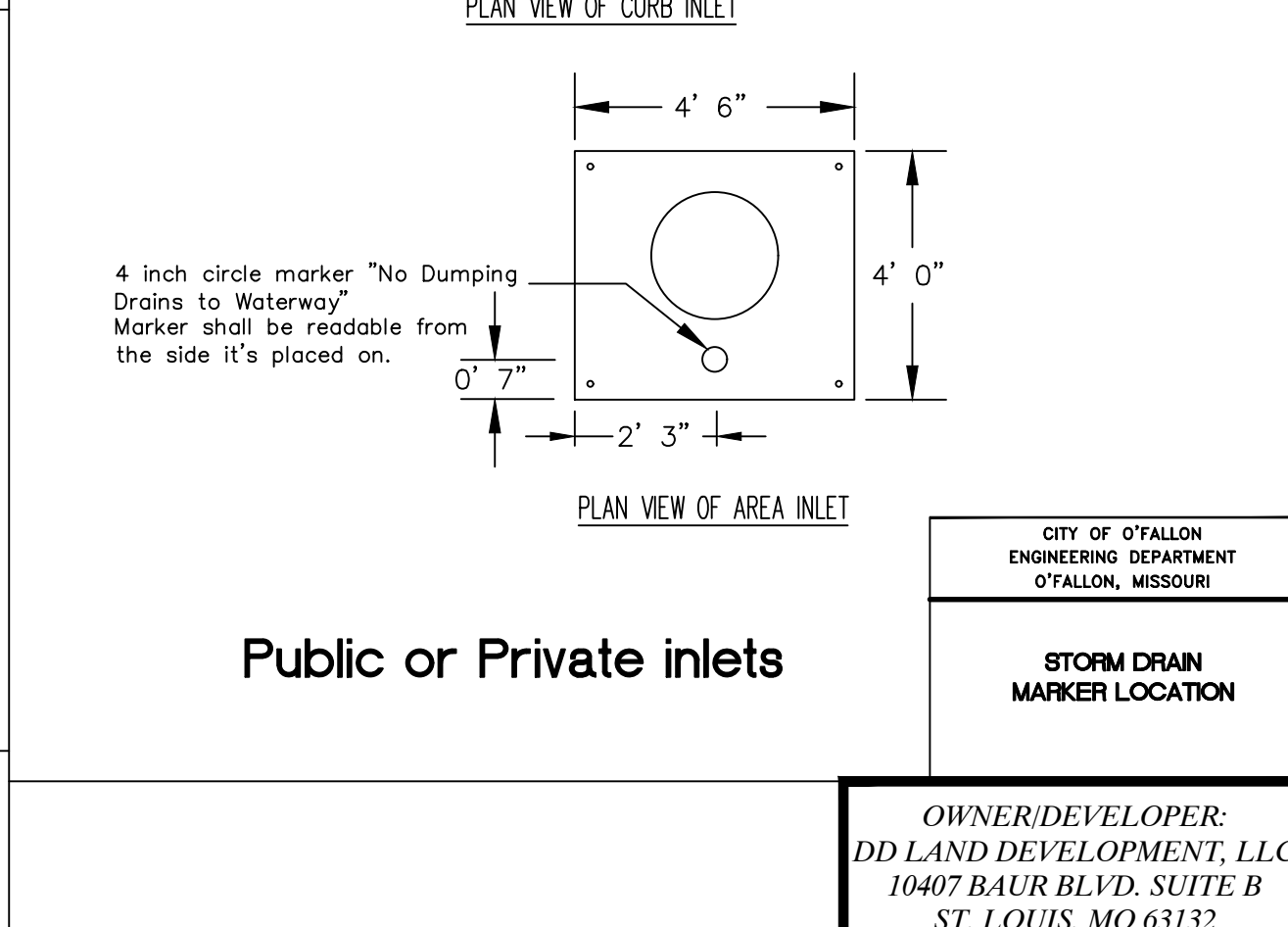
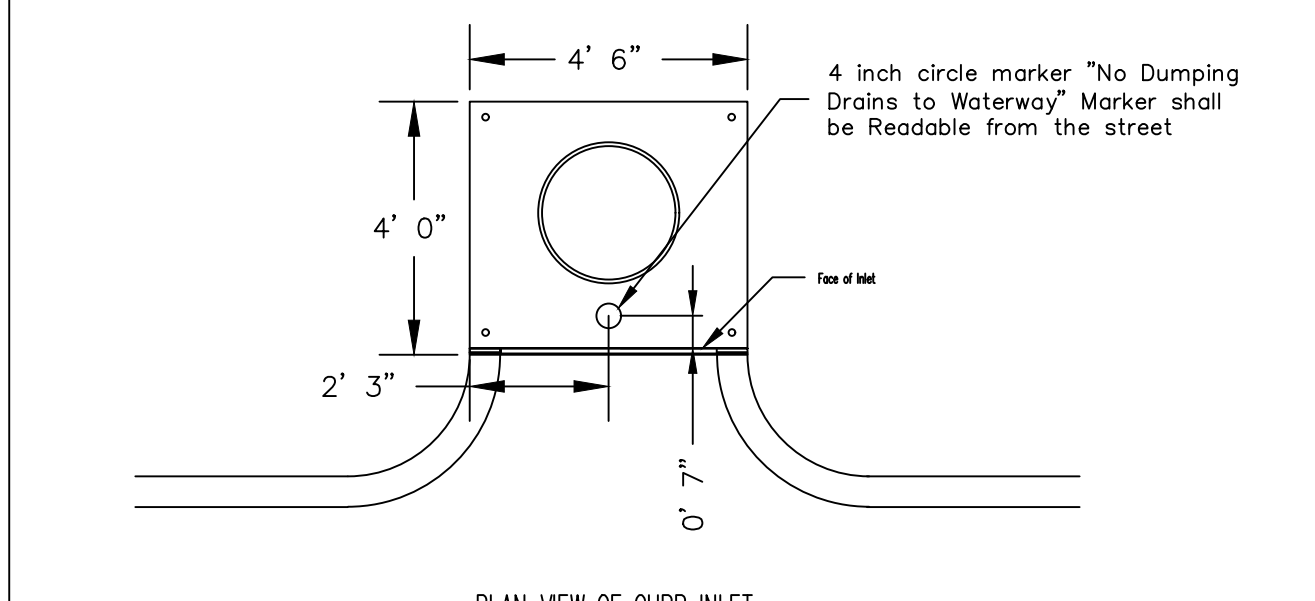
\* All other Storm or Sanitary Sewer Details will be by M.S.D. Standards and Specifications.  
 \*\* All inlets shall have 5/8" trash bar centered with the opening(s).



\* The City of O'Fallon must be provided with a symbol/medallion for review and approval prior to installation. Contact the City if any information is needed.

| Size        | Style                         | Adhesive | Message (Part #)                 |
|-------------|-------------------------------|----------|----------------------------------|
| 3 7/8" x 4" | Crystal Cap or Standard Style | Epoxy    | No Dumping<br>Drains to Waterway |

City will also allow the precast inlet stone with a similar message as an approved alternate to the marker.



Public or Private inlets

|  |                  |
|--|------------------|
| CITY OF O'FALLON<br>ENGINEERING DEPARTMENT<br>O'FALLON, MISSOURI |                  |
| DATE: JAN. 13, 2021  | SCALE: NO SCALE  |
| PROJ. NO: 17-6821  | DRWG. NO: C14.05 |

636-594-0540 (tel.)  
636-594-0512 (fax)  
mailto:ochran@ochran.com

**CHORAN**  
Civil Engineering  
Land Surveying  
Architecture  
Site Development  
General Consulting  
Master Planning

Missouri State Certificate of Authority Numbers:  
Survey: 000380  
Engineering: 001655  
Architecture: 2002014240

Three working days prior to the start of any excavation call 1-800-465-8811 for utility location information.

All OSHA rules & regulations and all applicable local codes and regulations shall be strictly followed. Plans shall be strictly followed (i.e. trenching, blasting, etc.).

STATE OF MISSOURI  
Professional Engineer  
Blair J. O'Fallon  
RECEIVED  
NUMBER PE-2006002845

THE STREETS OF CALEDONIA  
 PHASE II RESIDENTIAL  
 O'FALLON, MISSOURI

|                     |                  |
|---------------------|------------------|
| DATE: JAN. 13, 2021 | SCALE: NO SCALE  |
| PROJ. NO: 17-6821   | DRWG. NO: C14.05 |

Drawing name: E:\17-6821 - 860 Acre Tract along Hwy 40, O'Fallon, MO\AutoCad Drawings\6821 - Plan Sheets\Construction Drawings\PH2 Residential Plans\32\_Detail Sheet Phase 2.dwg Tab: C14.05 Plotted on: Feb 03, 2021 - 2:14pm Plotted by: jmeier