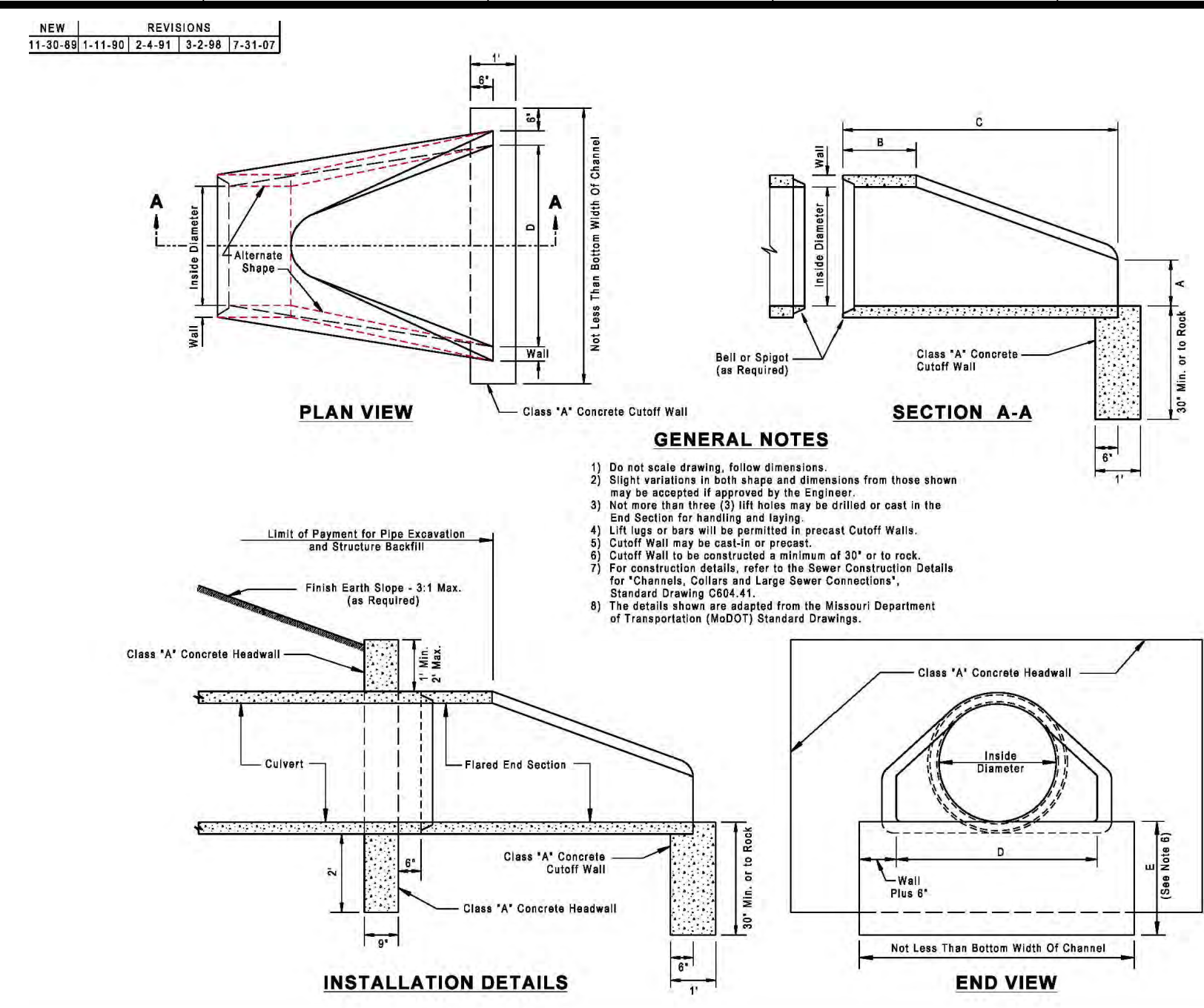


**FLARED END SECTION**  
**METROPOLITAN ST. LOUIS SEWER DISTRICT**  
**Standard Details of Sewer Construction**  
 Dr. WSH/SAM Ch. J.C.K. 2009 SHEET 61

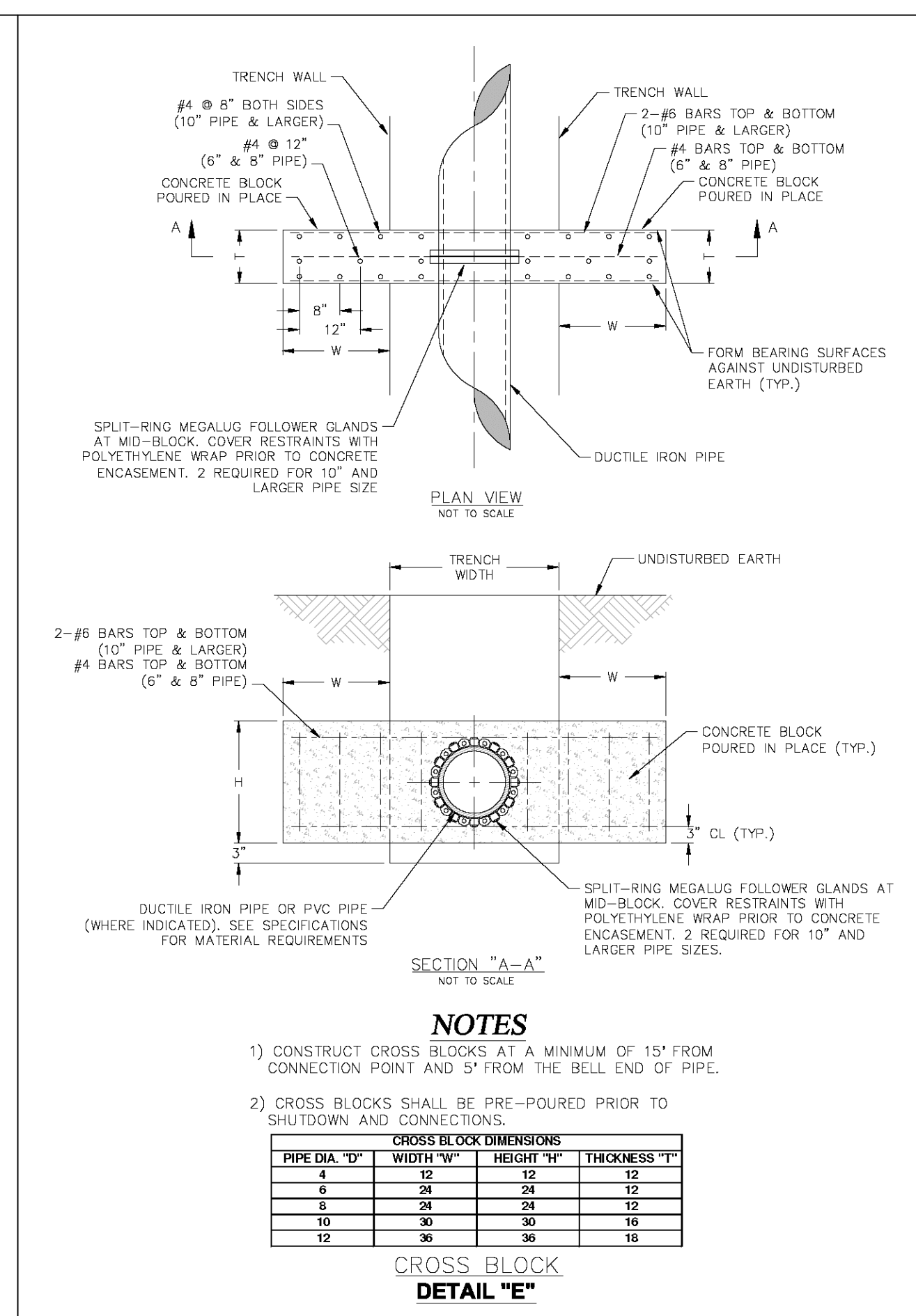
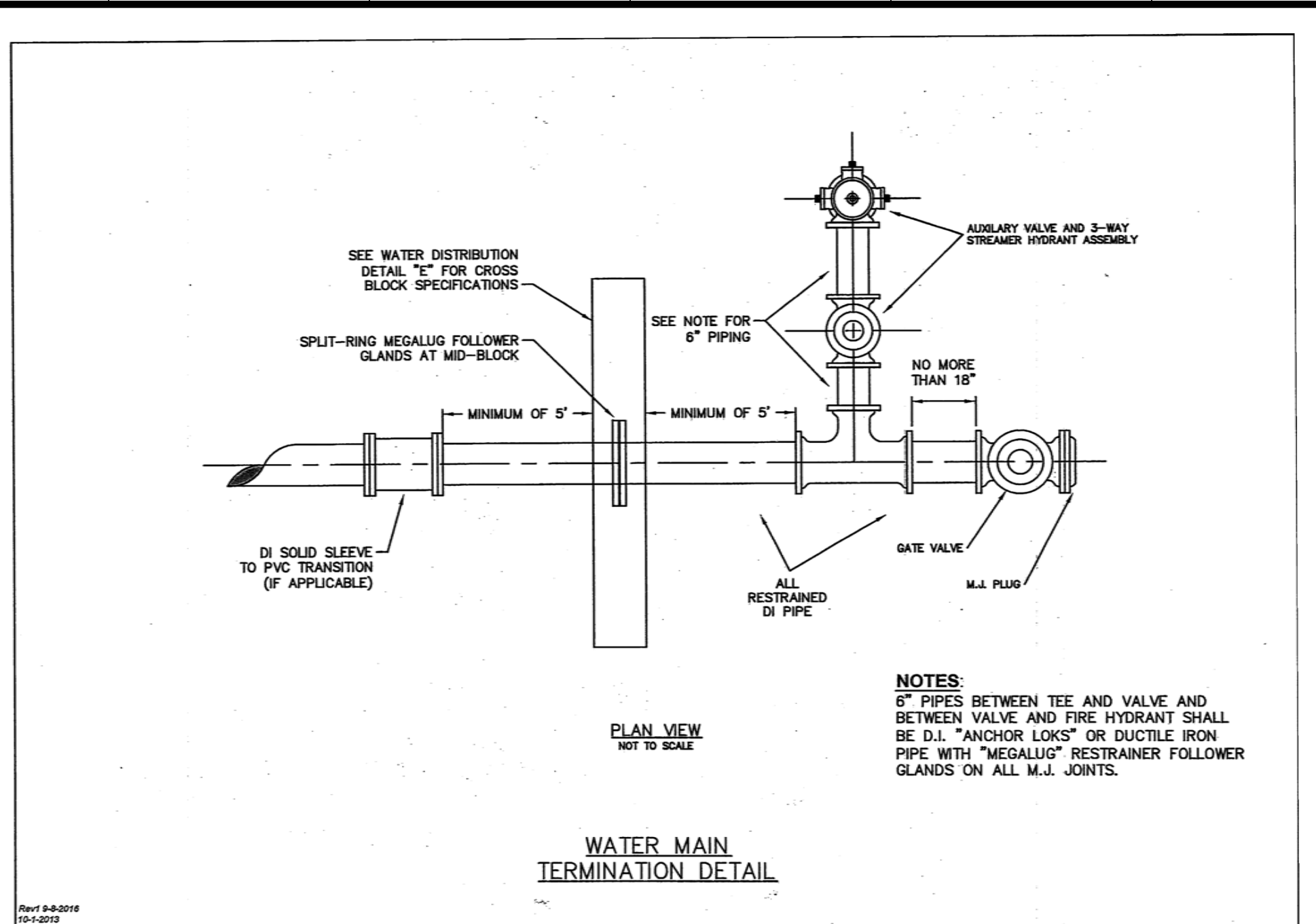


SIZE	WEIGHT	PRICE
4	12	12
6	24	24
8	36	36
10	54	54
12	72	72

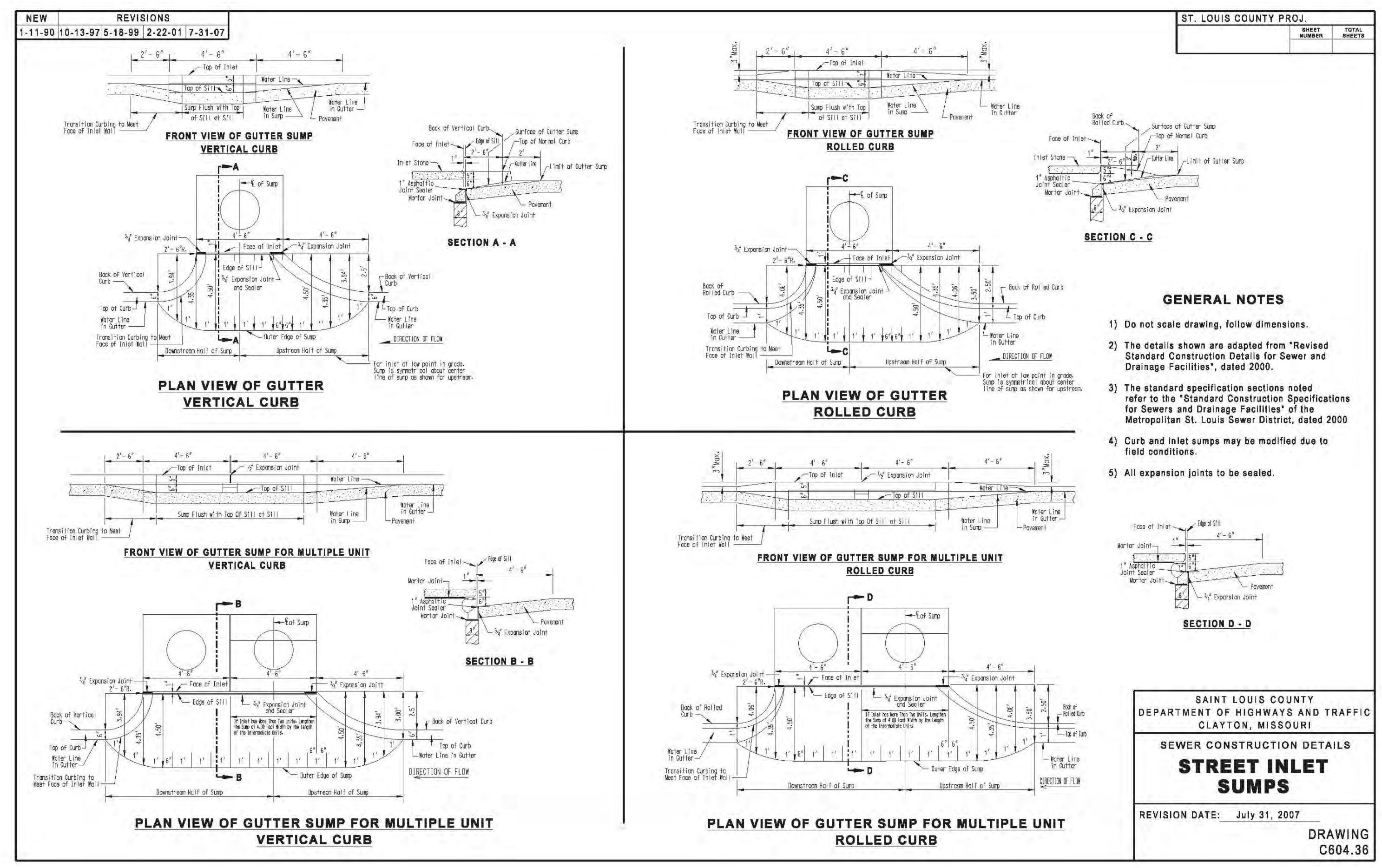
NEENAH FOUNDRY  
 12001 N. 17TH ST., NEENAH, WISCONSIN 54956  
 PHONE: 920-726-7500  
 FAX: 920-726-7501  
 WWW.NEENAHFOUNDRY.COM

DIMENSIONS		
PIPE DIA. (IN)	WALL THICKNESS (IN)	MINIMUM COVER (IN)
4	1/2	12
6	3/4	12
8	1	12
10	1 1/4	12
12	1 1/2	12

REINFORCEMENT		
PIPE DIA. (IN)	MINIMUM REINFORCEMENT (NO. OF BARS)	MINIMUM COVER (IN)
4	2	1 1/2
6	2	1 1/2
8	2	1 1/2
10	2	1 1/2
12	2	1 1/2



CROSS BLOCK DIMENSIONS			
PIPE DIA. (IN)	WIDTH (IN)	HEIGHT (IN)	THICKNESS (IN)
4	12	12	12
6	24	24	12
8	24	24	12
10	30	30	16
12	36	36	18



**SAINT LOUIS COUNTY**  
**DEPARTMENT OF HIGHWAYS AND TRAFFIC**  
**CLAYTON, MISSOURI**  
**SEWER CONSTRUCTION DETAILS**  
**STREET INLET SUMPS**  
 REVISION DATE: July 31, 2007  
 DRAWING C604.38

636-594-0540 (cell) 636-594-0512 (fax) mail@ochran.com  
 530A E. Independence Dr. Clayton, Missouri 63094  
**CHHRAN**  
 Civil Engineering  
 Land Surveying  
 Architecture  
 Site Development  
 General Consulting  
 Master Planning

Missouri State Certificate of Authority Numbers:  
 Survey 000380  
 Engineering 00555  
 Architecture 200214240

Three working days prior to the start of any excavation call 1-800-UGC-RITE for utility location information.  
 All OSHA rules & regulations are strictly followed. Plans shall be strictly followed (i.e. trenching, blasting, etc.)

STATE OF MISSOURI  
 REGISTERED PROFESSIONAL ENGINEER  
 NUMBER PE-200602845

THE STREETS OF CALEDONIA  
 PHASE II RESIDENTIAL  
 O'FALLON, MISSOURI

DATE: TUG  
 APP'D BY: ERR  
 DATE: JAN. 13, 2021  
 SCALE: NO SCALE  
 PROJ. NO.: 17-6821  
 DWG. NO.: C14.06

OWNER/DEVELOPER:  
 DD LAND DEVELOPMENT, LLC  
 10407 BAUR BLVD. SUITE B  
 ST. LOUIS, MO 63132