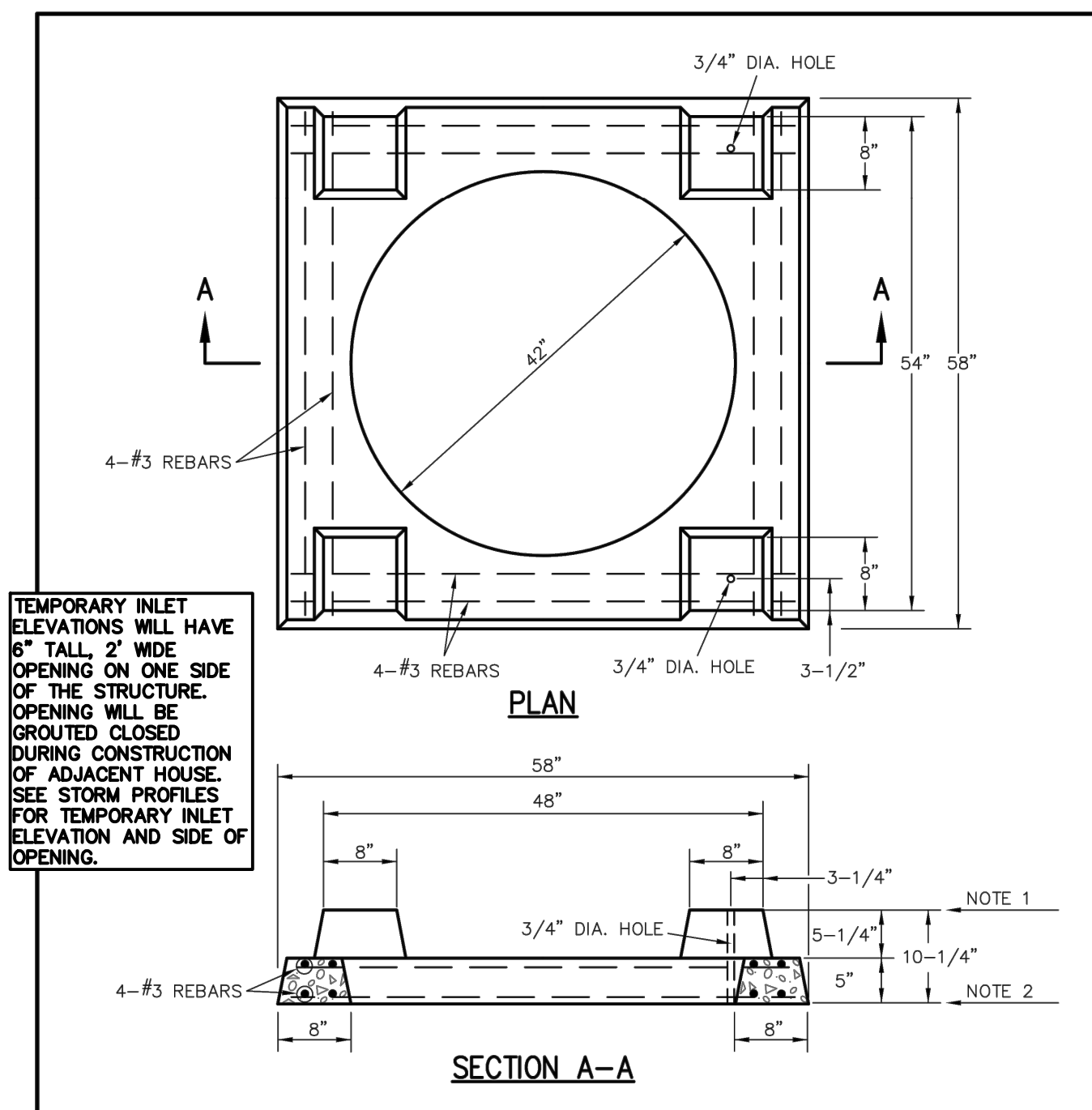
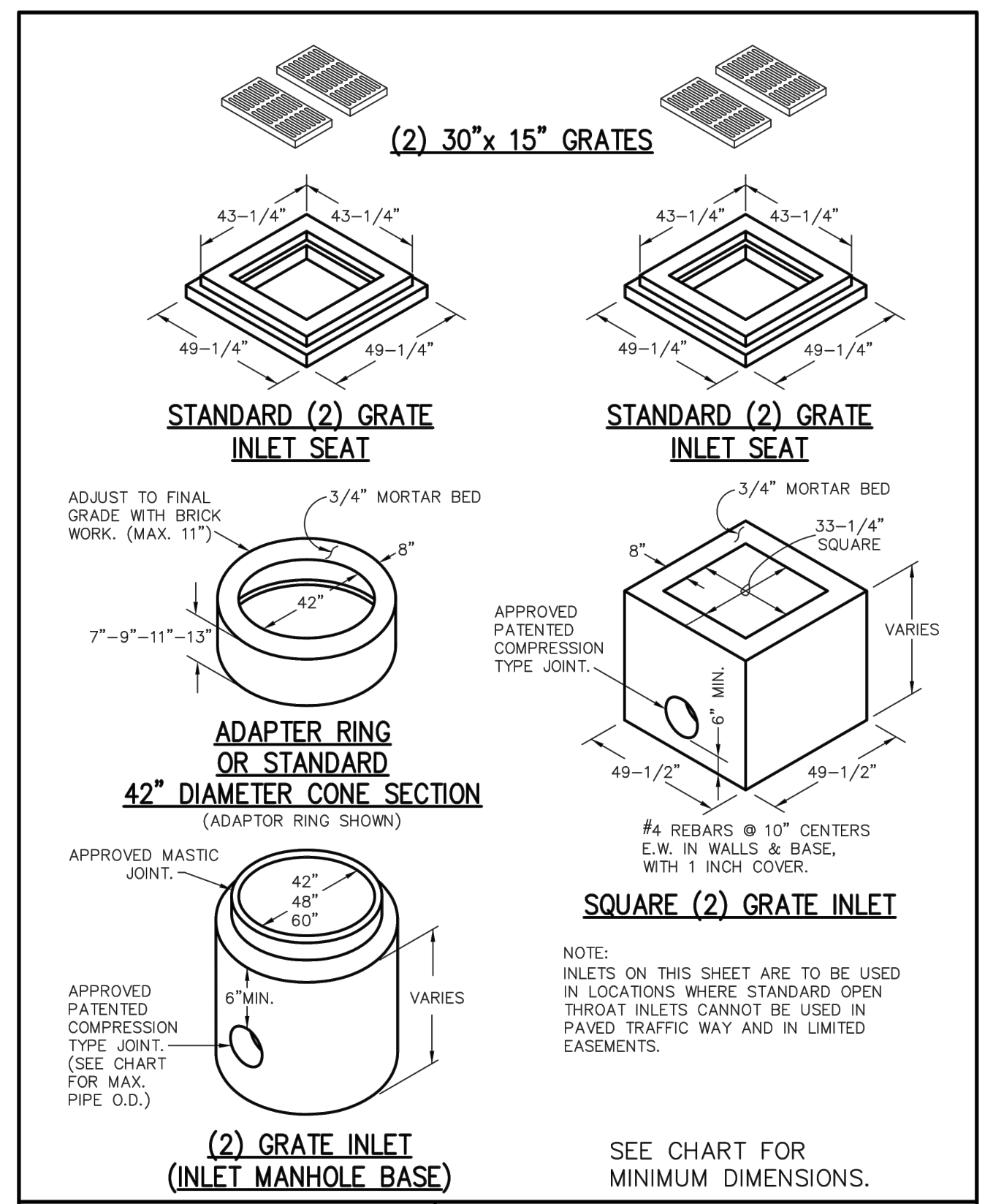


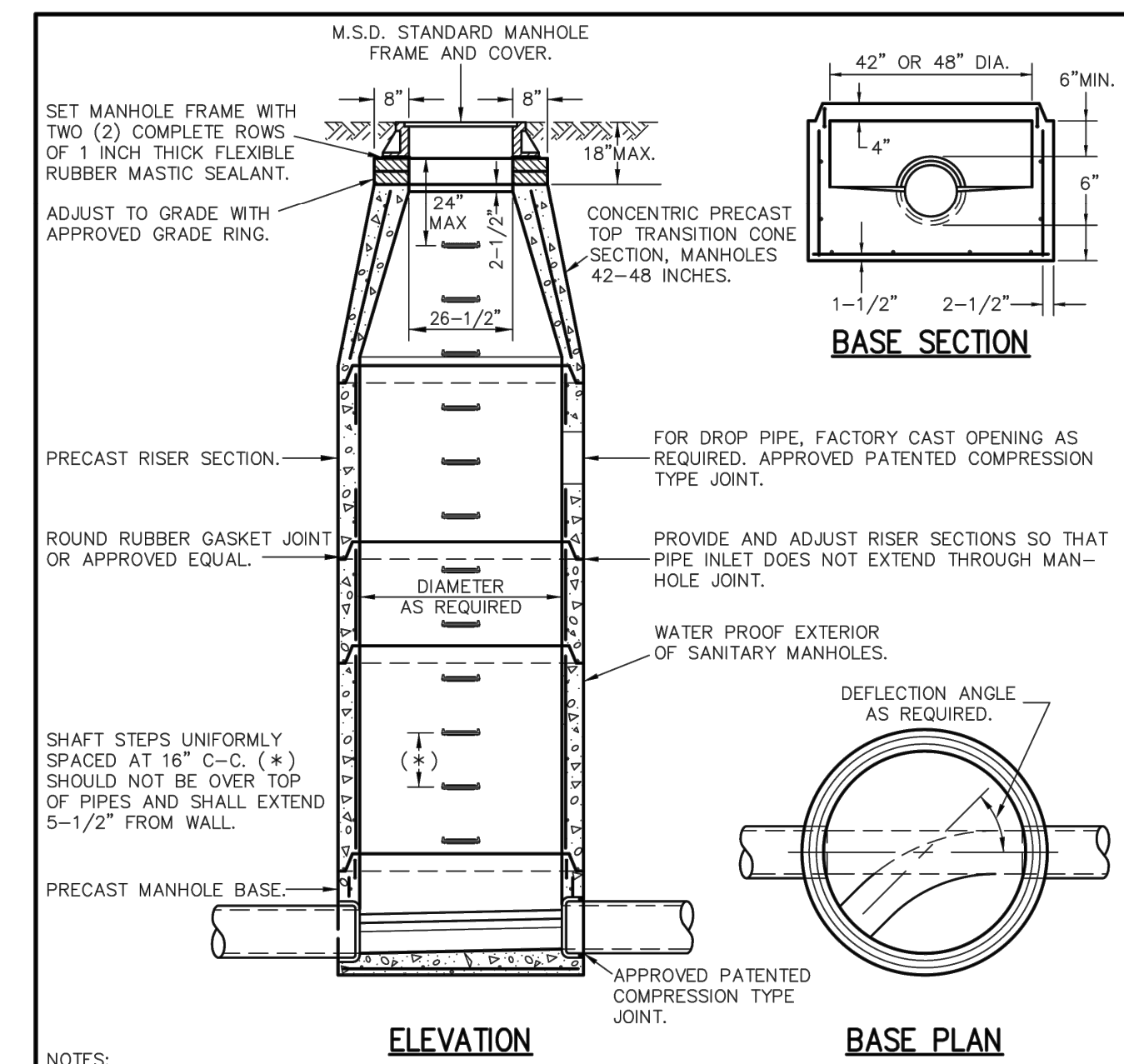
AREA INLET PRECAST CONCRETE	METROPOLITAN ST. LOUIS SEWER DISTRICT <i>Standard Details of Sewer Construction</i>	Dr. JLG/SAM Ch. J.C.K.	2009	SHEET 34
--------------------------------	--	---------------------------	------	----------



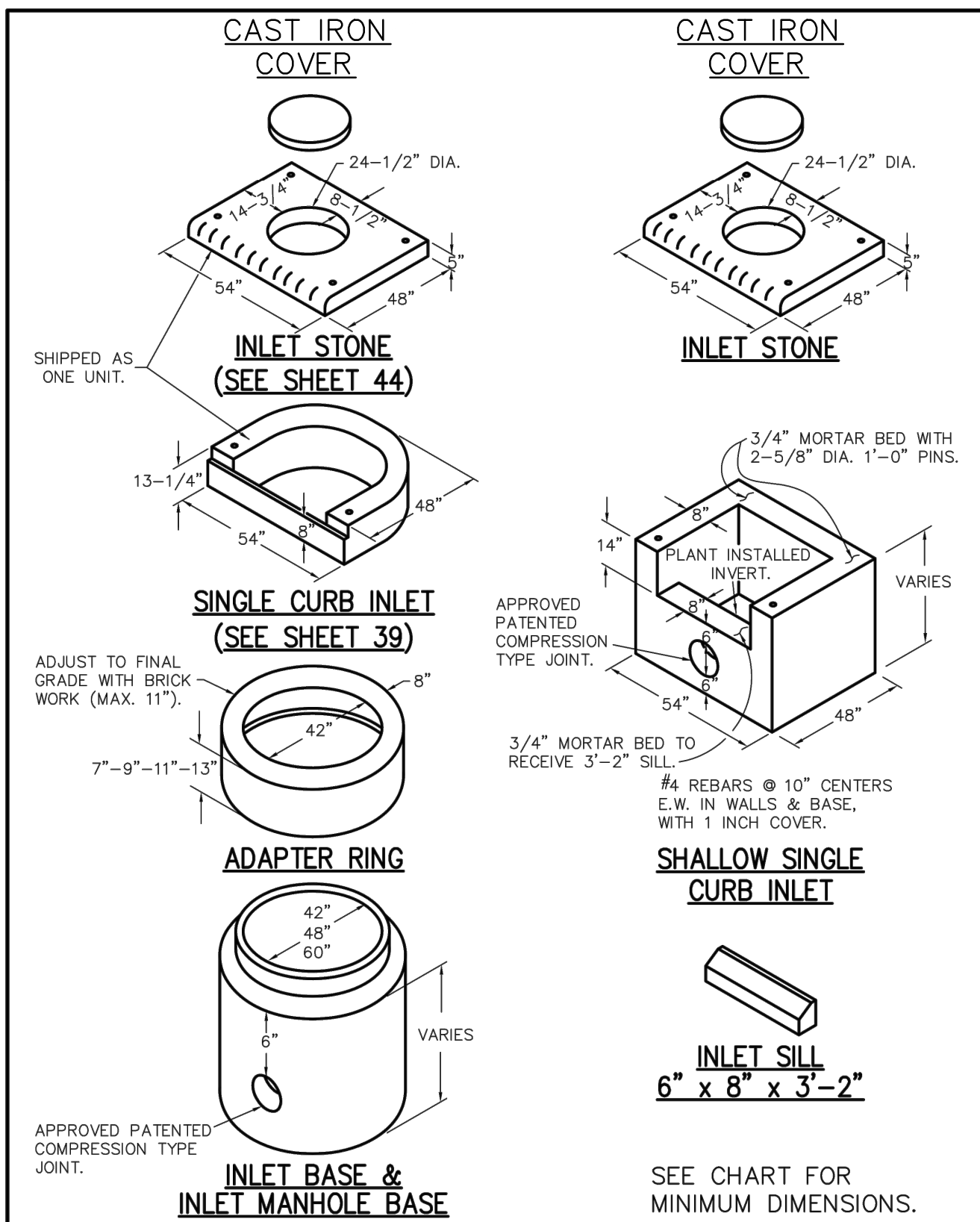
PRECAST CONCRETE UNIT FOR 4 WAY AREA INLET	METROPOLITAN ST. LOUIS SEWER DISTRICT <i>Standard Details of Sewer Construction</i>	Dr. DAB/SAM Ch. J.C.K.	2009	SHEET 40
--	--	---------------------------	------	----------



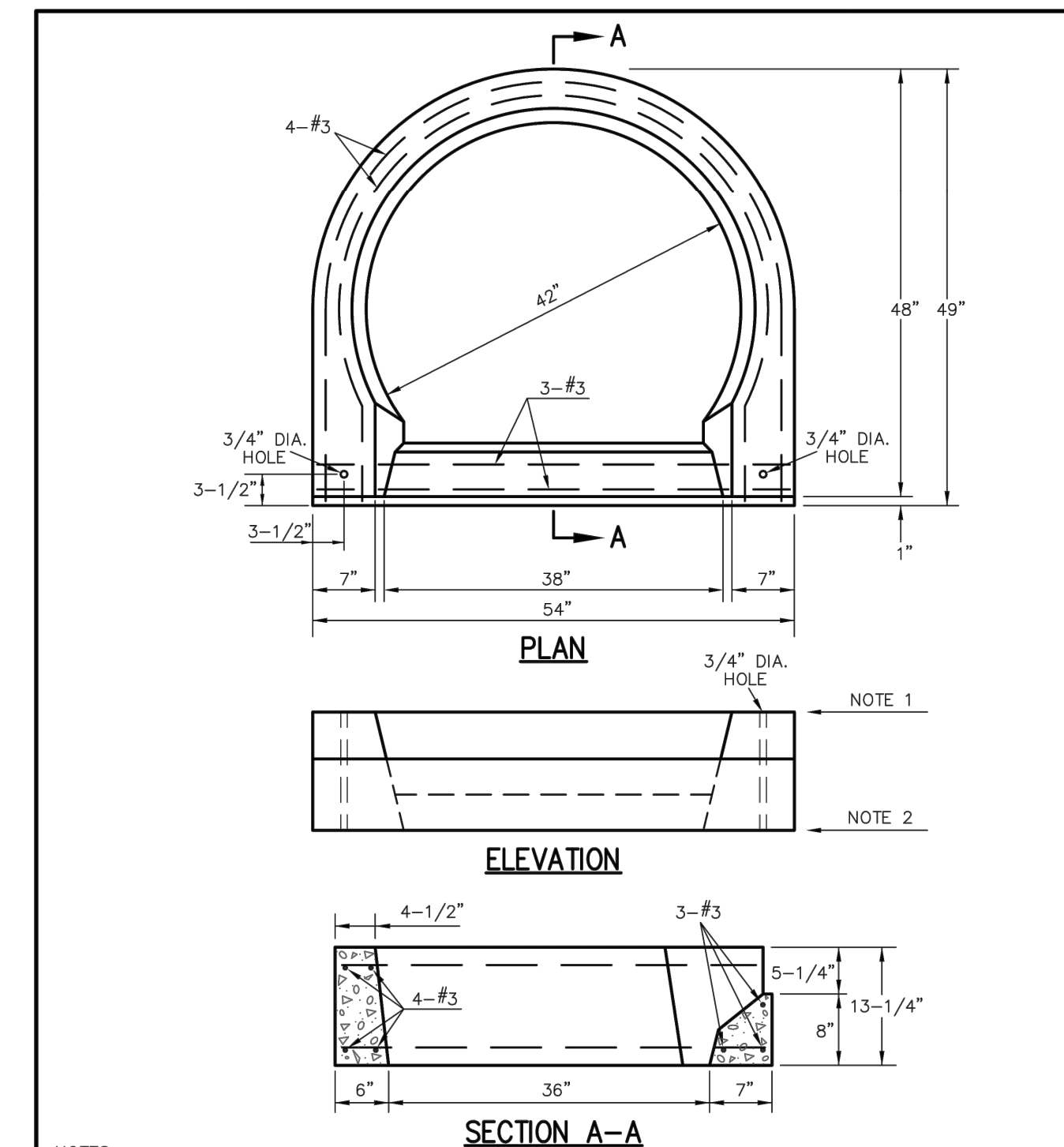
2 GRATE INLETS PRECAST CONCRETE	METROPOLITAN ST. LOUIS SEWER DISTRICT <i>Standard Details of Sewer Construction</i>	Dr. JLG/SAM Ch. J.C.K.	2009	SHEET 35
------------------------------------	--	---------------------------	------	----------



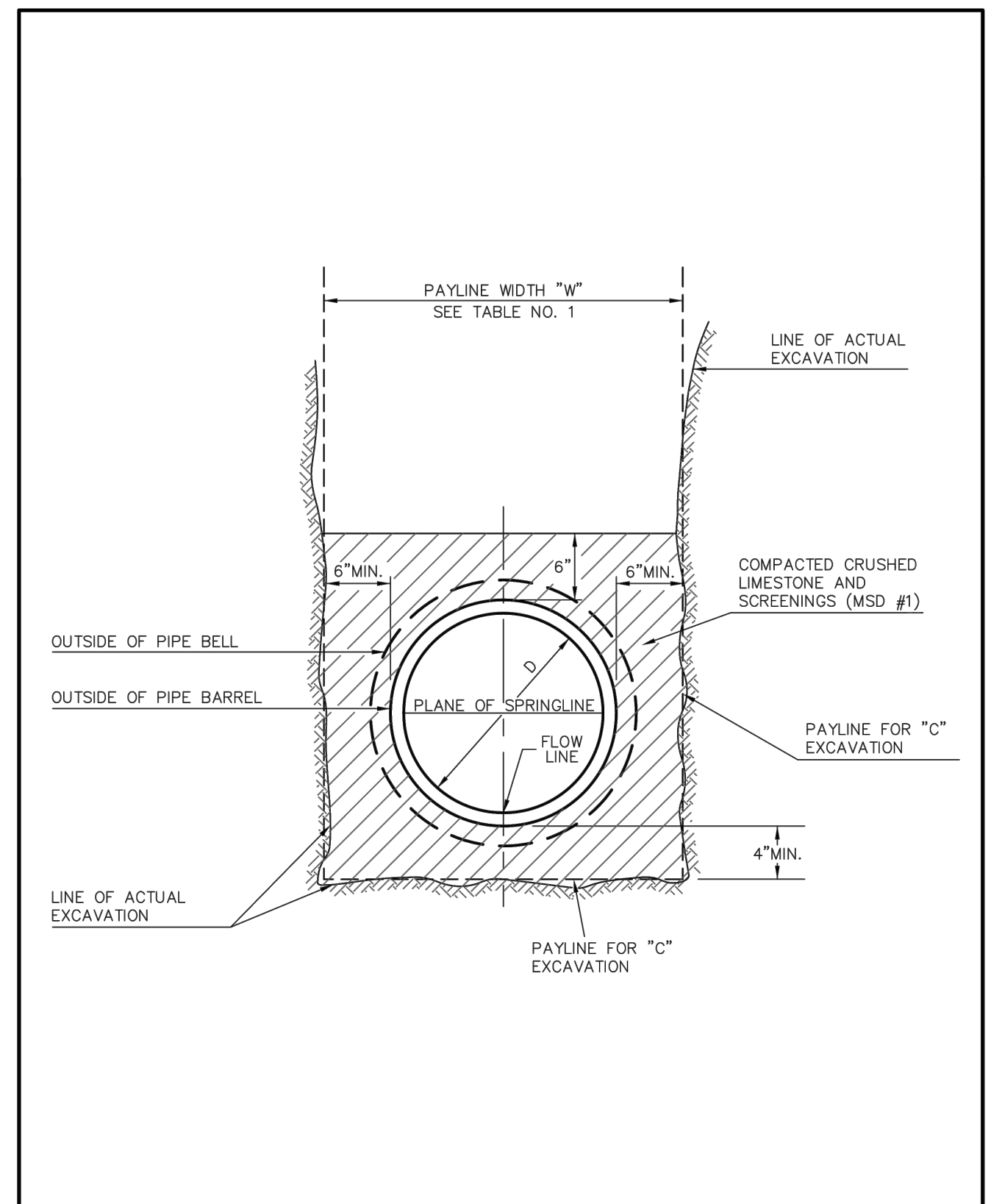
PRECAST CONCRETE MANHOLE	METROPOLITAN ST. LOUIS SEWER DISTRICT <i>Standard Details of Sewer Construction</i>	Dr. WSH/SAM Ch. J.C.K.	2009	SHEET 21 (REV)
--------------------------	--	---------------------------	------	-------------------



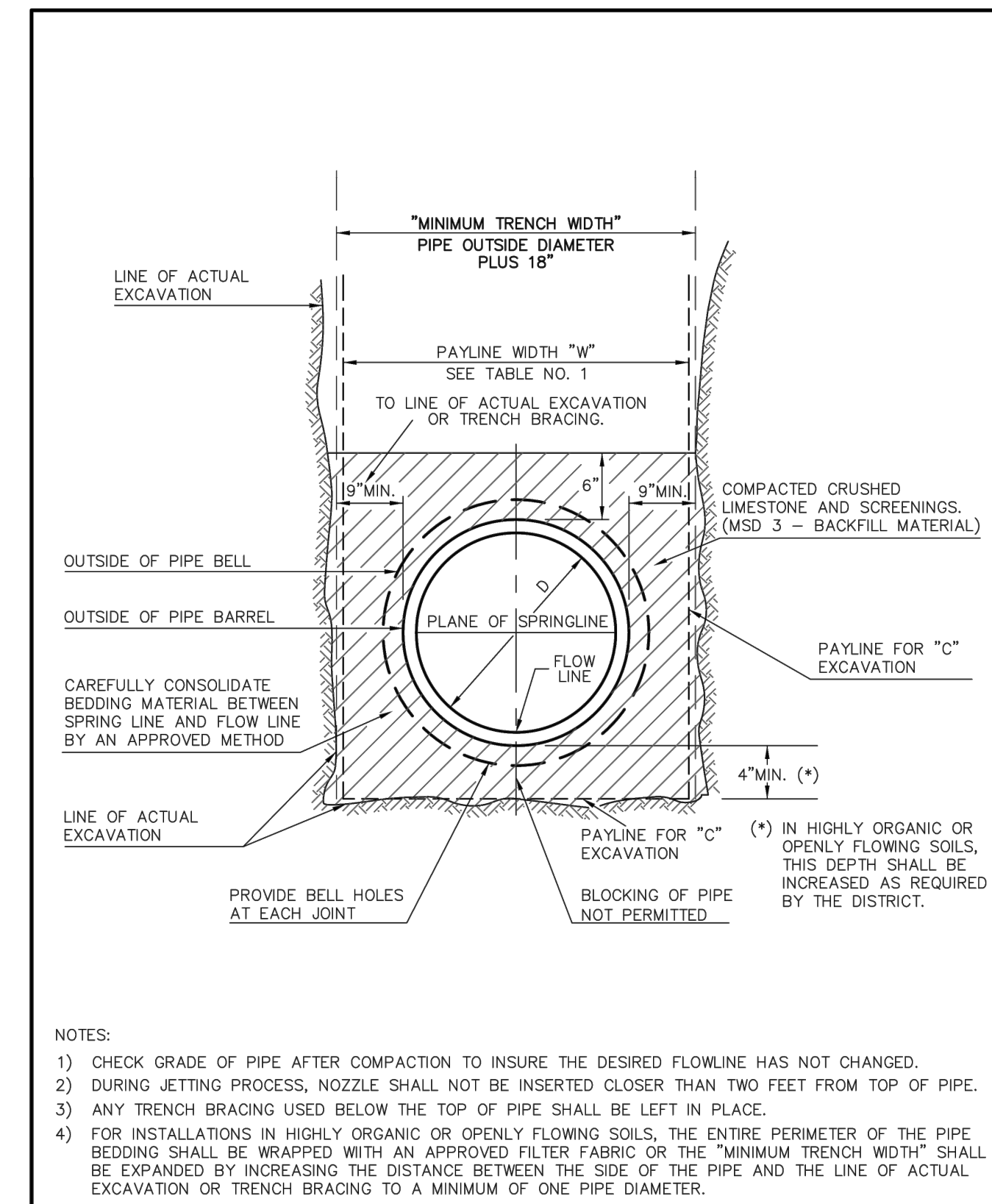
SINGLE STREET INLETS PRECAST CONCRETE	METROPOLITAN ST. LOUIS SEWER DISTRICT <i>Standard Details of Sewer Construction</i>	Dr. JLG/SAM Ch. J.C.K.	2009	SHEET 36
--	--	---------------------------	------	----------



PRECAST CONCRETE UNIT FOR SINGLE STREET INLET	METROPOLITAN ST. LOUIS SEWER DISTRICT <i>Standard Details of Sewer Construction</i>	Dr. WSH/SAM Ch. J.C.K.	2009	SHEET 39
---	--	---------------------------	------	----------



PIPE BEDDING CLASS "C" (FOR ALL 6" TO 18" PIPE EXCEPT REINFORCED CONCRETE PIPE)	METROPOLITAN ST. LOUIS SEWER DISTRICT <i>Standard Details of Sewer Construction</i>	Dr. W.S.H. Ch. J.C.K.	2009	SHEET 4
---	--	--------------------------	------	---------



PIPE BEDDING FOR FLEXIBLE PIPE 21" - 48" DIAMETER	METROPOLITAN ST. LOUIS SEWER DISTRICT <i>Standard Details of Sewer Construction</i>	Dr. P.T.K. Ch. D.R.M.	2009	SHEET 6
---	--	--------------------------	------	---------

\* All other Storm or Sanitary Sewer Details will be by M.S.D. Standards and Specifications.  
 \*\* All inlets shall have 5/8" trash bar centered with the opening(s).

THE STREETS OF CALEDONIA  
 PHASE 3 RESIDENTIAL  
 O'FALLON, MISSOURI

DETAIL SHEET  
 DATE: MAY 25, 2021  
 SCALE: NO SCALE  
 PROJ NO: 17-6821  
 DWG NO: C14.04

JMM ERR  
 DATE: MAY 25, 2021  
 SCALE: NO SCALE  
 PROJ NO: 17-6821  
 DWG NO: C14.04

OWNER/DEVELOPER:  
 DD LAND DEVELOPMENT, LLC  
 10407 BAUR BLVD, SUITE B  
 ST. LOUIS, MO 63132

OCHRAN  
 Civil Engineering  
 Land Surveying  
 Architecture  
 Site Development  
 General Consulting  
 Master Planning

Missouri State Certificate of Authority Numbers:  
 Survey: 000380  
 Engineering: 001655  
 Architecture: 2002014240

Three working days prior to the start of any excavation call 1-800-963-ARTE for utility location information.  
 All OSHA rules & regulations apply. Construction required by these plans shall be strictly followed (i.e. trenching, blasting, etc.).

Drawing name: F:\17-6821 - 260 Acre Tract along Hwy 40, O'Fallon, MO\AutoCad Drawings\6821 - Plan Sheets\Construction Drawings\PH3 Residential\Plans\45\_Detail Sheet - Phase 3.dwg  
 Plotted on: May 27, 2021 - 1:11pm  
 Plotted by: tsohove