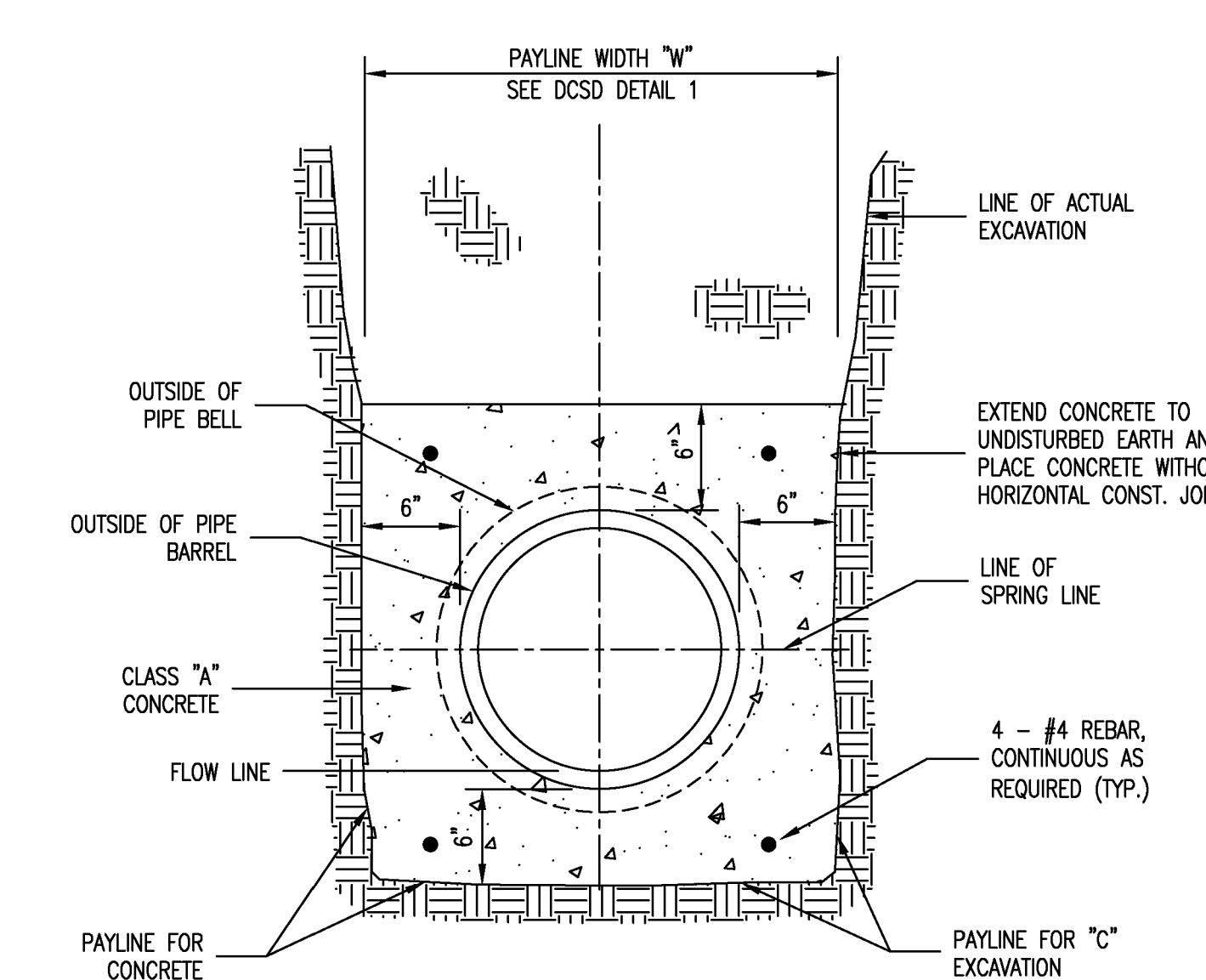
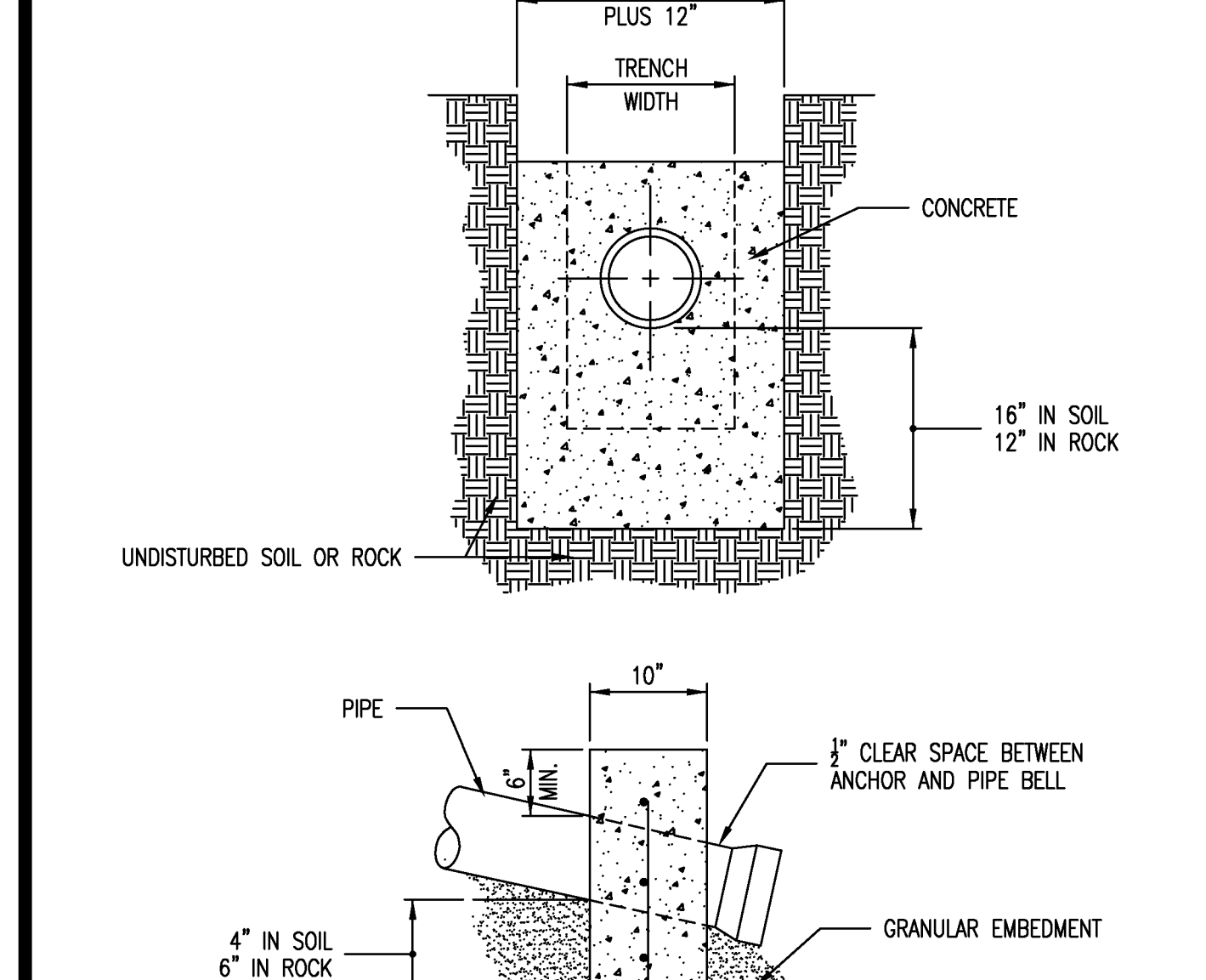


NOTES:
 ALL PVC SANITARY SEWER PIPE SHALL CONFORM TO THE REQUIREMENTS OF ASTM D-3034 STANDARD SPECIFICATION FOR POLYVINYL CHLORIDE SEWER PIPE, SDR-35 OR EQUAL, WITH "CLEAN" 1/2 INCH TO 1 INCH GRANULAR STONE BEDDING UNIFORMLY GRADED. THIS BEDDING SHALL EXTEND FROM 4 INCHES BELOW THE PIPE TO SPRINGLINE OF PIPE. IMMEDIATE BACKFILL OVER PIPE SHALL CONSIST OF SAME SIZE "CLEAN" OR "MINUS" STONE FROM SPRINGLINE OF PIPE TO 6 INCHES ABOVE THE TOP OF PIPE. FINAL BACKFILL MATERIAL SHALL BE OF SUITABLE MATERIAL REMOVED FROM EXCAVATION EXCEPT AS OTHER MATERIAL IS SPECIFIED. DEBRIS, FROZEN MATERIAL, LARGE ROCKS OR STONES, OR OTHER UNSTABLE MATERIALS SHALL NOT BE USED WITHIN 2 FEET FROM TOP OF PIPE.



NOTE:
 SUPPORT PIPE TO PREVENT DISPLACEMENT DURING PLACEMENT OF CONCRETE.



ANCHOR SPACING

SLOPE	MAX. DISTANCE
15%-35%	36"
35%-50%	24"
>50%	12' OR ONE PER JOINT OF PIPE

Duckett Creek Sanitary District

PIPE BEDDING CLASS "C" (FOR ALL EXCEPT REINFORCED CONCRETE PIPE)

Down By: BSM App By: KA Detail No: 3
 Ckd By: MDOB Date: JULY 2016

Duckett Creek Sanitary District

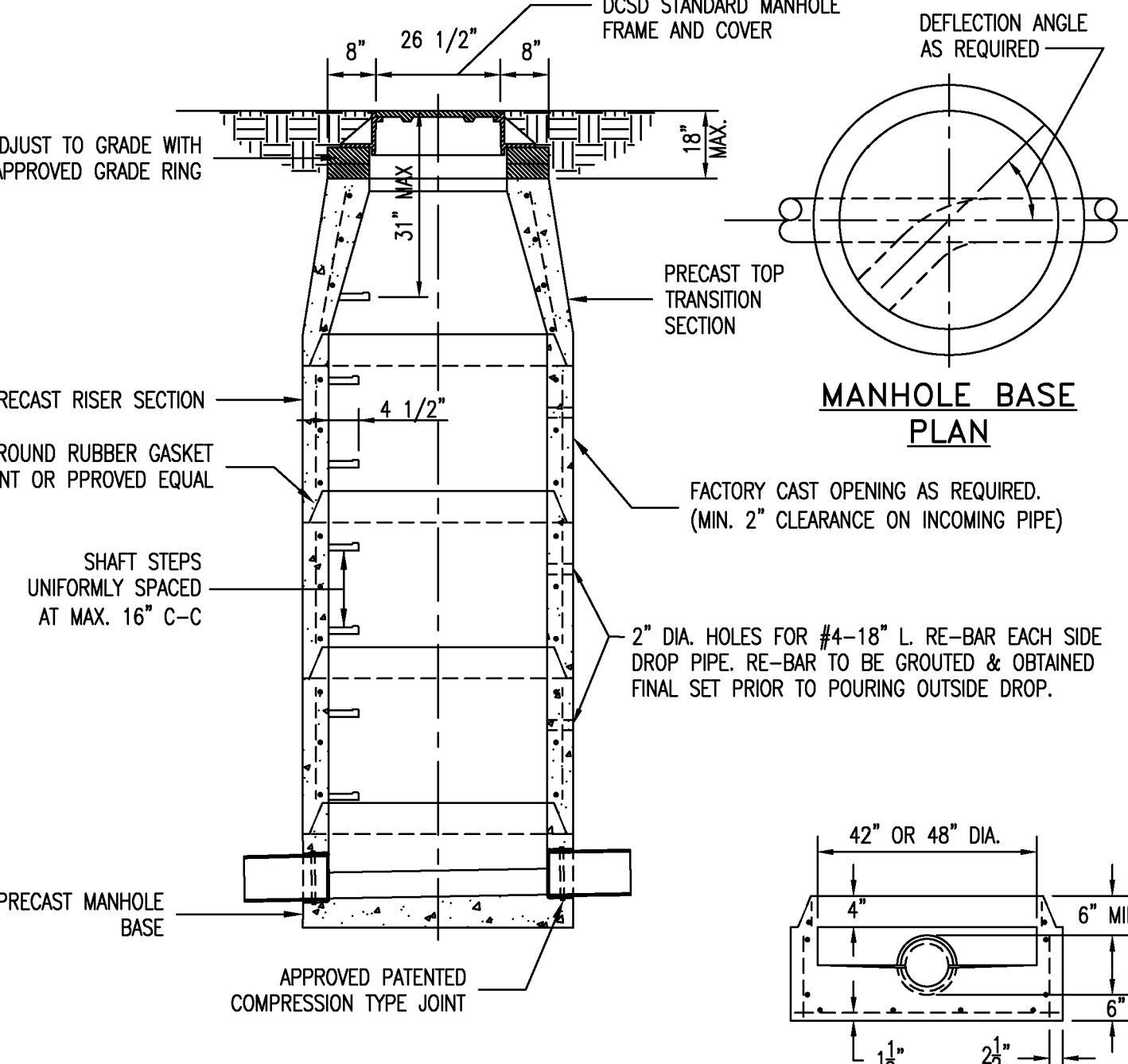
TYPICAL CONCRETE ENCASUREMENT

Down By: BSM App By: KA Detail No: 4
 Ckd By: MDOB Date: DEC. 2015

Duckett Creek Sanitary District

CONCRETE ANTI-SLIP COLLAR FOR PVC PIPE ON PIPE SLOPES FROM 15% TO 50%

Down By: MSM App By: KA Detail No: 5
 Ckd By: MDOB Date: DEC. 2015

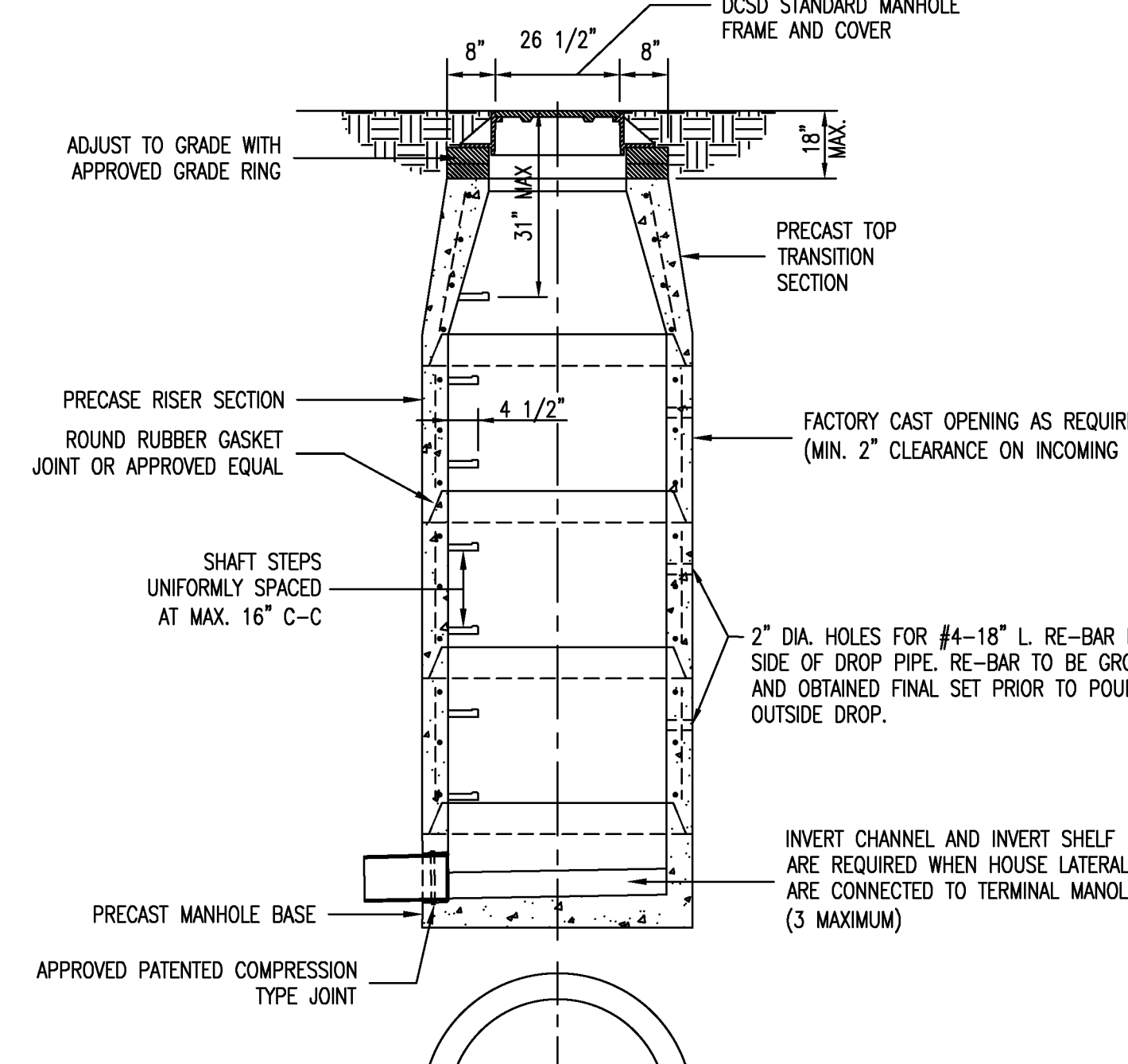


SECTION OF MANHOLE DIMENSION

SECTION	PIPE	DIA.
TOP TRANSITION	UPPER LOWER	26 1/2" DIA. 42" DIA.
BOTTOM SECTION	8" PIPE	42" DIA.
BOTTOM SECTION	10" THRU 36" PIPE	48" DIA.
BOTTOM SECTION	42" PIPE	60" DIA.

NOTES:
 1. ALL INVERTS SHALL HAVE POSITIVE DRAINAGE THROUGH MANHOLE.
 2. BRICK SHALL NOT BE USED ON MANHOLES.

SEE A.S.T.M. C-478 FOR MINIMUM STEEL REQUIREMENTS.

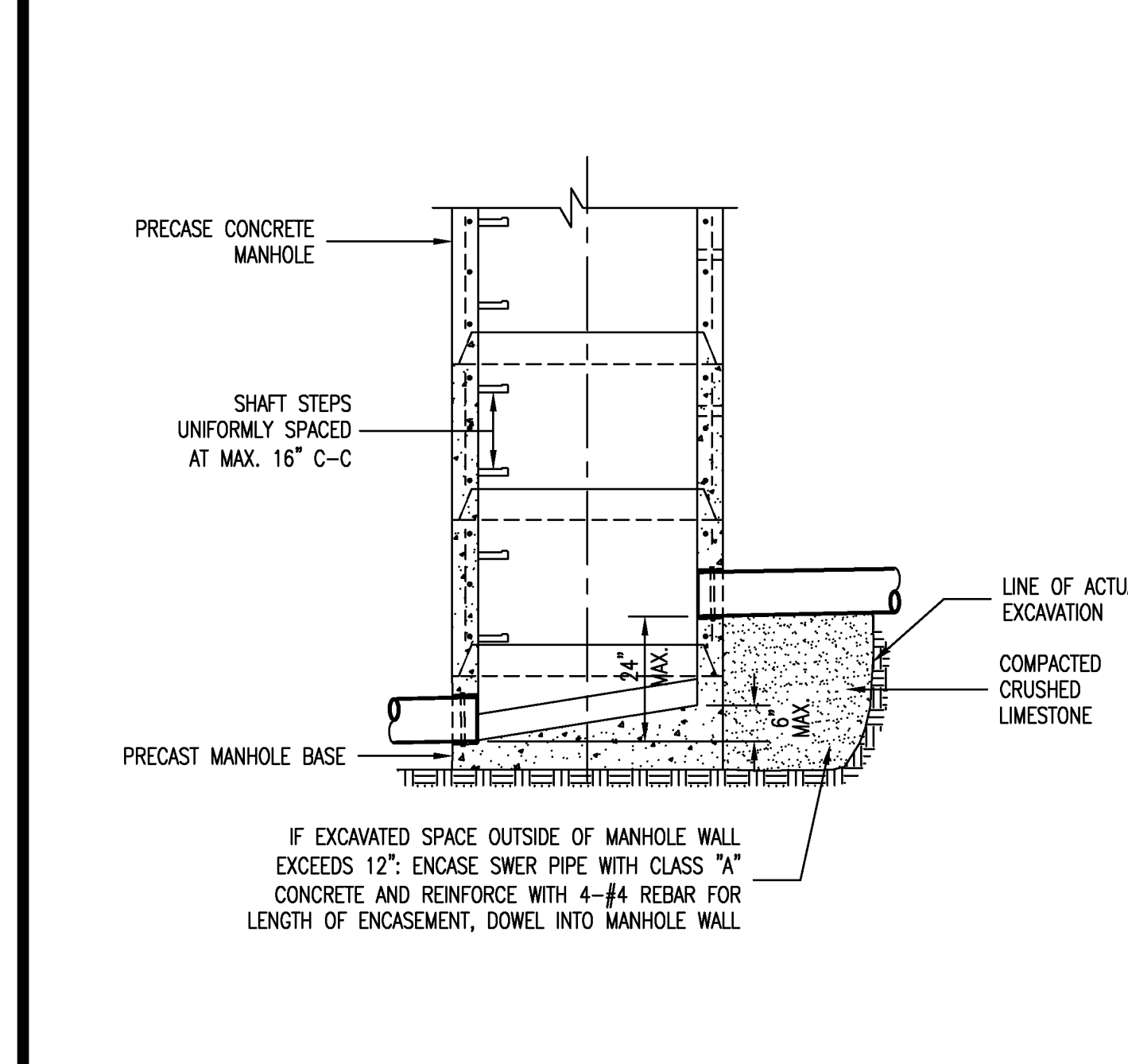


SECTION OF MANHOLE DIMENSION

SECTION	PIPE	DIA.
TOP TRANSITION	UPPER LOWER	26 1/2" DIA. 42" DIA.
BOTTOM SECTION	8" PIPE	42" DIA.
BOTTOM SECTION	10" THRU 36" PIPE	48" DIA.
BOTTOM SECTION	42" PIPE	60" DIA.

NOTES:
 1. ALL INVERTS SHALL HAVE POSITIVE DRAINAGE THROUGH MANHOLE.
 2. BRICK SHALL NOT BE USED ON MANHOLES.

SEE A.S.T.M. C-478 FOR MINIMUM STEEL REQUIREMENTS.



SECTION OF MANHOLE DIMENSION

SECTION	PIPE	DIA.
TOP TRANSITION	UPPER LOWER	26 1/2" DIA. 42" DIA.
BOTTOM SECTION	8" PIPE	42" DIA.
BOTTOM SECTION	10" THRU 36" PIPE	48" DIA.
BOTTOM SECTION	42" PIPE	60" DIA.

NOTES:
 1. ALL INVERTS SHALL HAVE POSITIVE DRAINAGE THROUGH MANHOLE.
 2. BRICK SHALL NOT BE USED ON MANHOLES.

SEE A.S.T.M. C-478 FOR MINIMUM STEEL REQUIREMENTS.

Duckett Creek Sanitary District

PRECAST CONCRETE MANHOLE FOR SEWERS 8" THROUGH 18"

Down By: BSM App By: KLA Detail No: 7
 Ckd By: MDOB Date: DEC. 2015

Duckett Creek Sanitary District

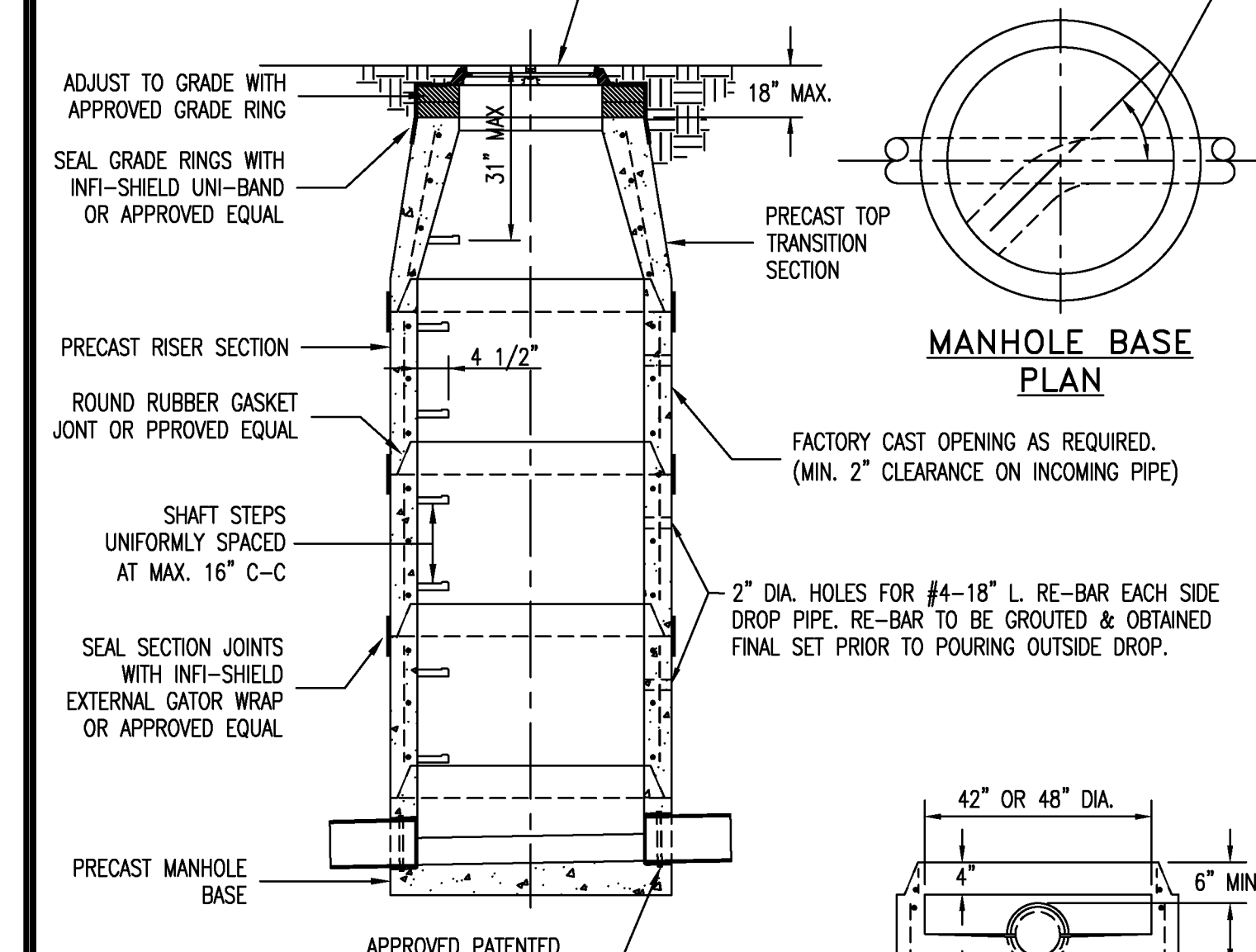
TERMINAL MANHOLE FOR SEWERS 8" THROUGH 18"

Down By: BSM App By: KLA Detail No: 8
 Ckd By: MDOB Date: DEC. 2015

Duckett Creek Sanitary District

INSIDE FOULWATER DROP MANHOLE (SWEEP INLET)

Down By: BSM App By: KA Detail No: 9
 Ckd By: MDOB Date: DEC. 2015



SECTION OF MANHOLE DIMENSION

SECTION	PIPE	DIA.
TOP TRANSITION	UPPER LOWER	26 1/2" DIA. 42" DIA.
BOTTOM SECTION	8" PIPE	42" DIA.
BOTTOM SECTION	10" THRU 36" PIPE	48" DIA.
BOTTOM SECTION	42" PIPE	60" DIA.

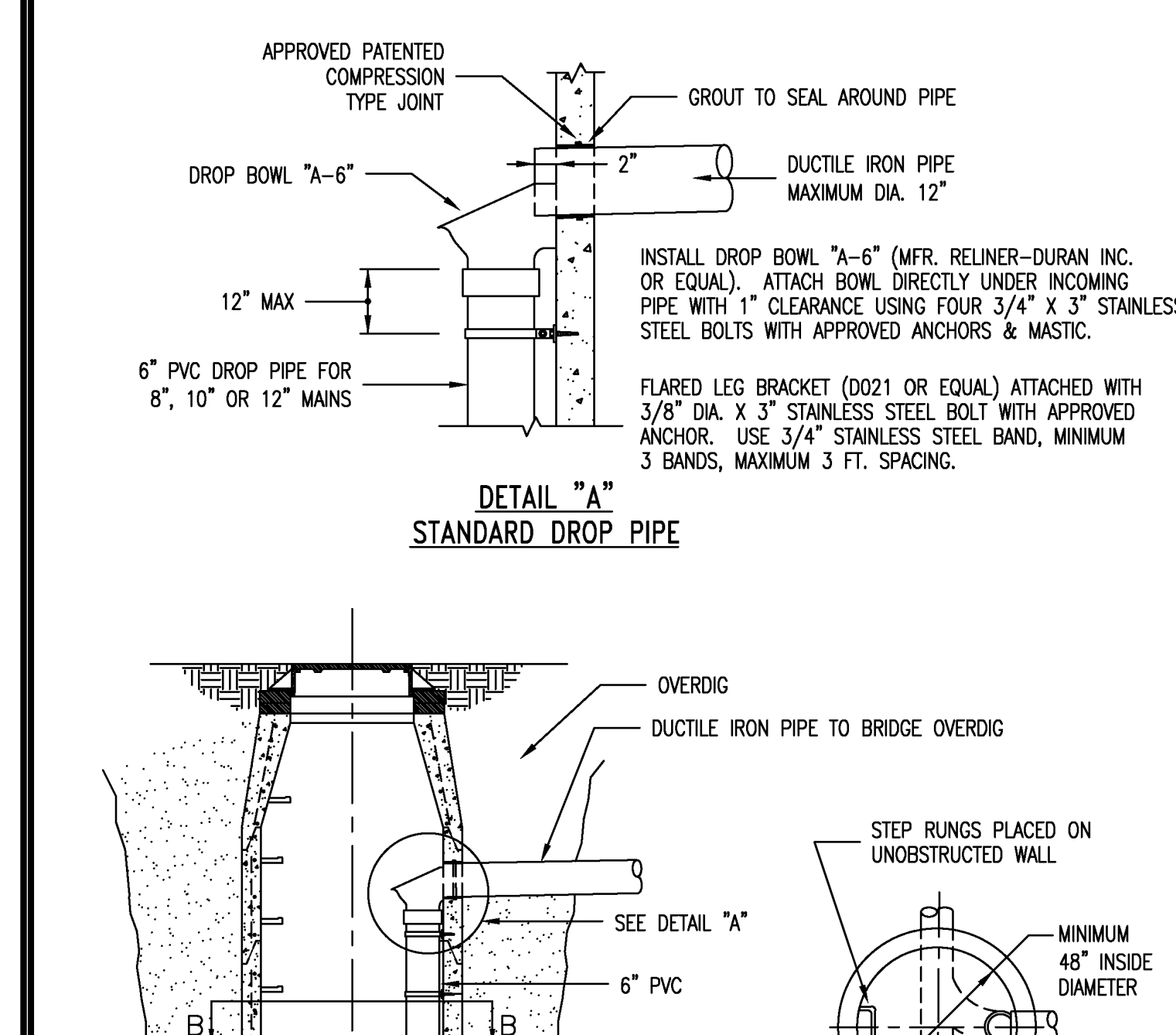
NOTES:
 1. ALL INVERTS SHALL HAVE POSITIVE DRAINAGE THROUGH MANHOLE.
 2. BRICK SHALL NOT BE USED ON MANHOLES.

SEE A.S.T.M. C-478 FOR MINIMUM STEEL REQUIREMENTS.

Duckett Creek Sanitary District

PRECAST CONCRETE MANHOLE FOR SEWERS 8" THROUGH 18" IN FLOODWAY AREAS

Down By: MSM App By: KLA Detail No: 6
 Ckd By: MDOB Date: DEC. 2015



SECTION OF MANHOLE DIMENSION

SECTION	PIPE	DIA.
TOP TRANSITION	UPPER LOWER	26 1/2" DIA. 42" DIA.
BOTTOM SECTION	8" PIPE	42" DIA.
BOTTOM SECTION	10" THRU 36" PIPE	48" DIA.
BOTTOM SECTION	42" PIPE	60" DIA.

NOTES:
 1. ALL INVERTS SHALL HAVE POSITIVE DRAINAGE THROUGH MANHOLE.
 2. INSIDE DROP CONNECTION SHALL NOT ENTER AT A JOINT.

Duckett Creek Sanitary District

INSIDE DROP MANHOLE

Down By: MSM App By: KA Detail No: 10
 Ckd By: MDOB Date: JULY 2016

MISSOURI STATE CERTIFICATE OF AUTHORITY NUMBER: 000380
 ENGINEERING: 001655
 ARCHITECTURE: 2002014240
 PROFESSIONAL SEAL
 MISSOURI PROFESSIONAL ENGINEER
 NUMBER: PE-200602845
 DATE: 12/15/15
 ELLIOTT R. REED
 5195 JEFFERSON
 ST. LOUIS, MO 63112

THE STREETS OF CALEDONIA
 PHASE 3 RESIDENTIAL
 O'FALLON, MISSOURI

DATE: JMM
 DATE: MAY 25, 2021
 SCALE: NO SCALE
 PROJ. NO: 17-6821
 DWG. NO: C14.10

DATE: JMM
 DATE: MAY 25, 2021
 SCALE: NO SCALE
 PROJ. NO: 17-6821
 DWG. NO: C14.10

OWNER/DEVELOPER:
 DD LAND DEVELOPMENT, LLC
 10407 BAUR BLVD, SUITE B
 ST. LOUIS, MO 63132

Drawing name: F:\17-6821 - 260 Acre Tract along Hwy 40, O'Fallon, MO\AutoCad Drawings\6821 - Plan Sheets\Construction Drawings\PH3 Residential\Drawings\PH3 Residential Plans\45_Detail Sheet - Phase 3.dwg
 Tab: C14.10
 Plotted on: May 25, 2021 - 2:59pm
 Plotted by: jmeyer