

PROJECT INFORMATION	
ENGINEERED PRODUCT MANAGER:	CRAIG DAHLGREN 314-296-1595 CRAIG.DAHLGREN@ADS-PIPE.COM
ADS SALES REP:	BRIAN SNELSON 618-593-6135 BRIAN.SNELSON@ADS-PIPE.COM
PROJECT NO.:	S239720

APPROVED BY:

SIGNED: _____
 DATE: _____
 COMPANY: _____
 PHONE / EMAIL: _____



THE DOWNSTREAM DEFENDER® AND FIRST DEFENSE® ARE DESIGNED, MANUFACTURED AND SUPPLIED BY HYDRO INTERNATIONAL, P.L.C. AND ALL TRADEMARKS ARE THE PROPERTY OF HYDRO INTERNATIONAL, P.L.C.

STREETS OF CALEDONIA PHASE 3 O'FALLON, MO

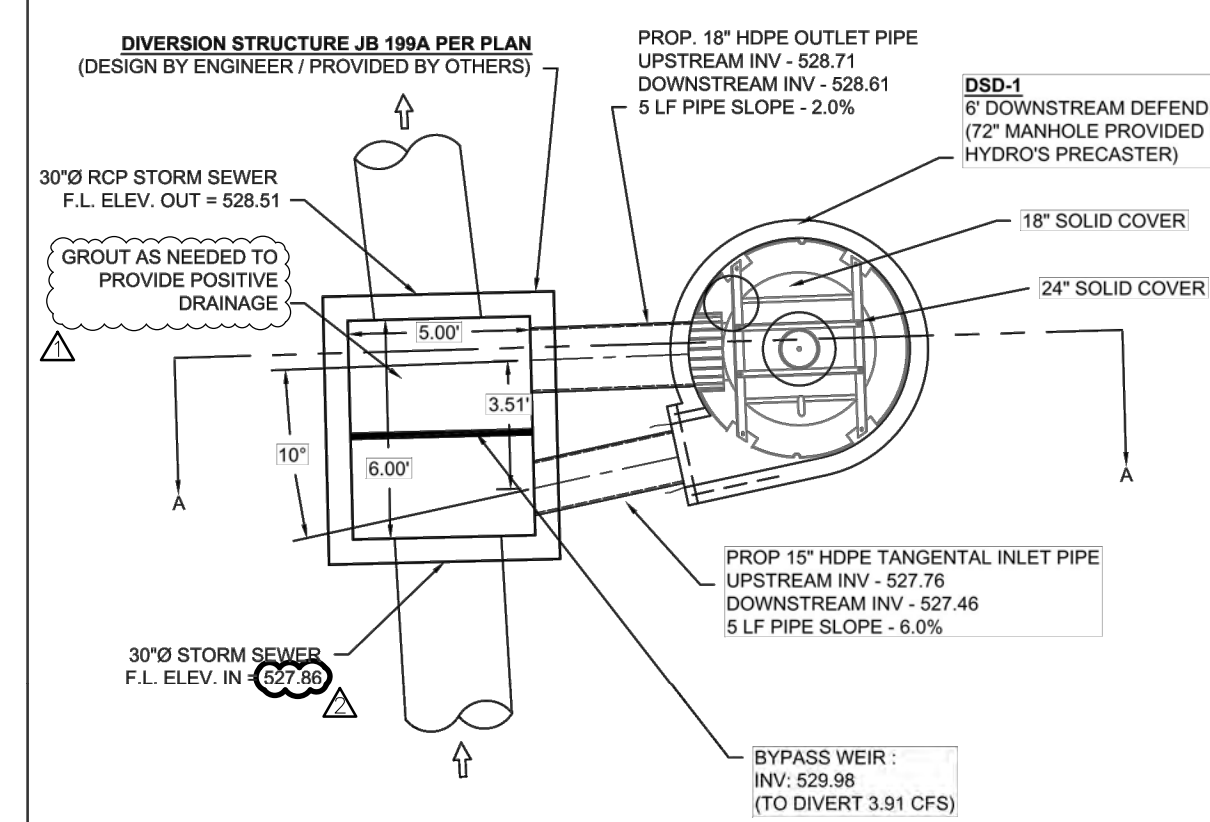
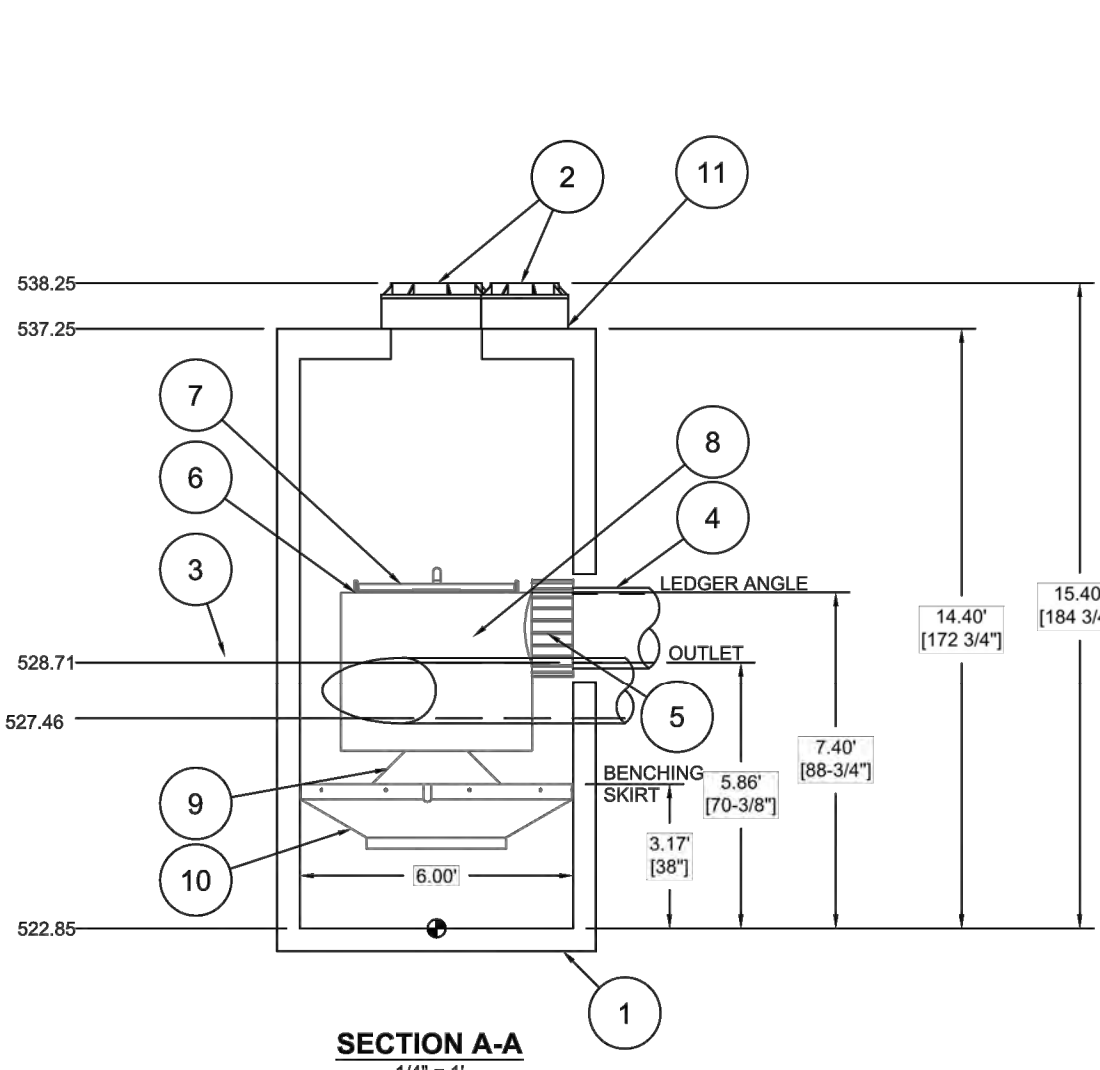
CONTRACTOR PROVIDED DELIVERY SCHEDULE & SITE INFORMATION:

SCHEDULING INFORMATION	
SYSTEM DESIGNATION / SIZE	
SYSTEM DELIVERY DATE	
*ACTUAL DATE REQUIRED, ASAP IS NOT ACCEPTABLE AND A MINIMUM OF 4 WEEKS MUST BE PROVIDED UNLESS OTHERWISE DISCUSSED WITH A SALES REPRESENTATIVE.	
DELIVERY INFORMATION	
JOB SITE STREET ADDRESS	CITY
CONTACT	CONTACT PHONE
ALTERNATE CONTACT	ALTERNATE PHONE

DIRECTIONS TO JOB SITE FROM NEAREST INTERSTATE:
(PLEASE NO MAPS)

PARTS LIST: 6" DOWNSTREAM DEFENDER			
ITEM	SIZE (IN)	MATERIAL	DESCRIPTION
1	72	CONCRETE	I.D. PRECAST MANHOLE
2	18 & 24	-	FRAME & COVER
3	12	HDPE	INLET PIPE (BY OTHERS)
4	18	HDPE	OUTLET PIPE (BY OTHERS)
5	18	HDPE	PIPE COUPLING (BY OTHERS)
6	-	-	LEDGER ANGLE
7	-	-	SUPPORT FRAME
8	-	-	DIP PLATE
9	-	-	CENTER SHAFT & CONE
10	-	-	BENCHING SKIRT
11	-	-	MATERIALS & LABOR TO ACHIEVE FINAL GRADE (BY OTHERS)

NOTES:
ENGINEER / CONTRACTOR TO CONFIRM PIPE MATERIALS.



STREETS OF CALEDONIA PHASE 3
O'FALLON, MO

DATE: 06/07/21 DRAWN: GDL
PROJECT #: S239720 CHECKED: MJ

HYDRO INTERNATIONAL
4640 TRUHEMAN BLVD
HILLIARD, OH 43026

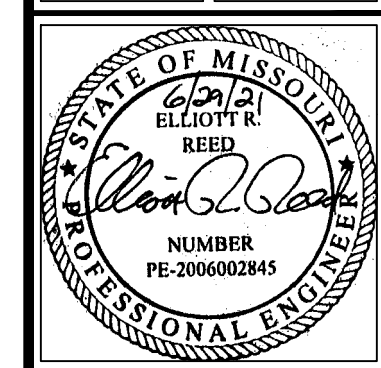
AS NOTED

2 SHEET OF 4

COCHRAN
Civil Engineering
Land Surveying
Architecture

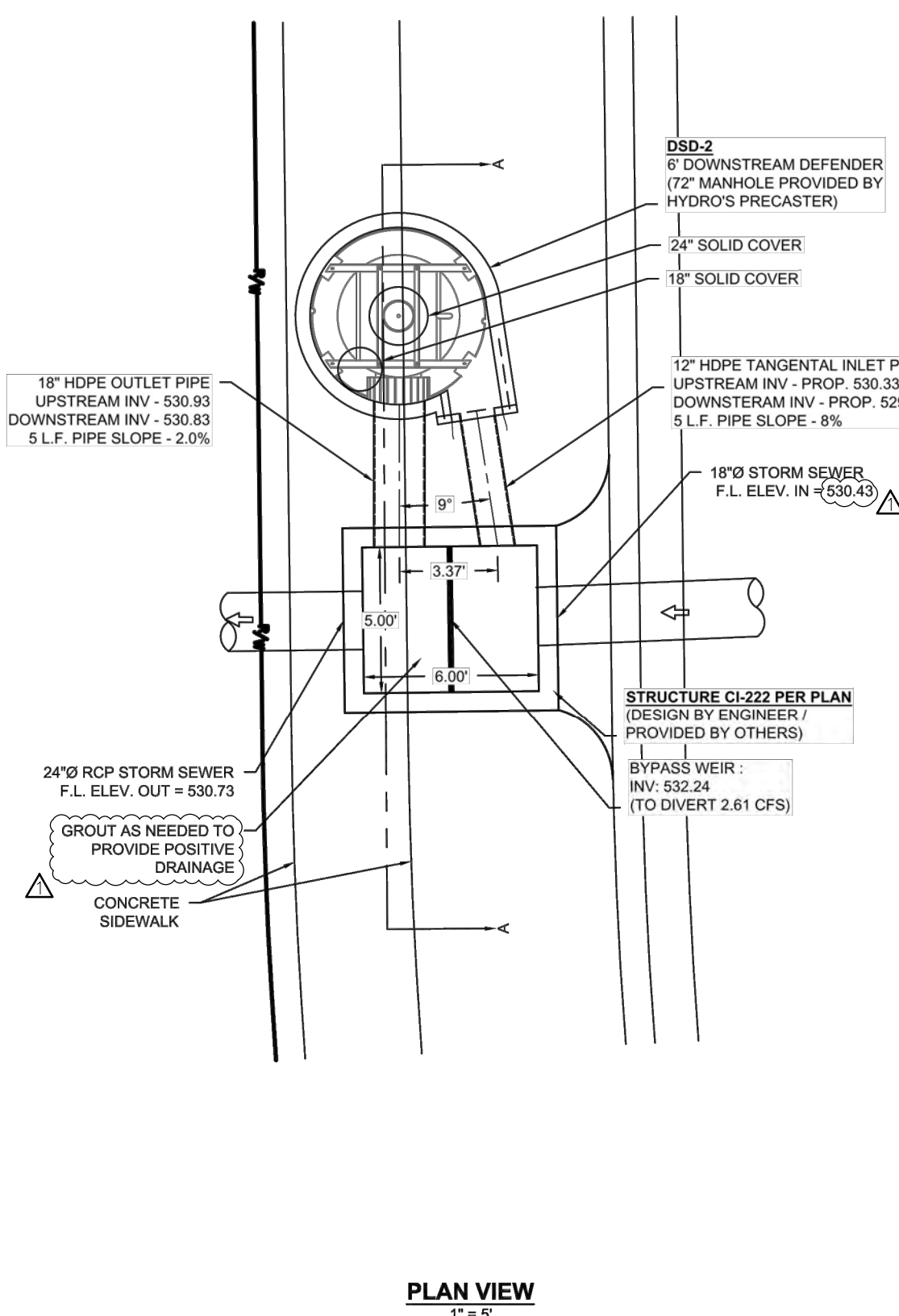
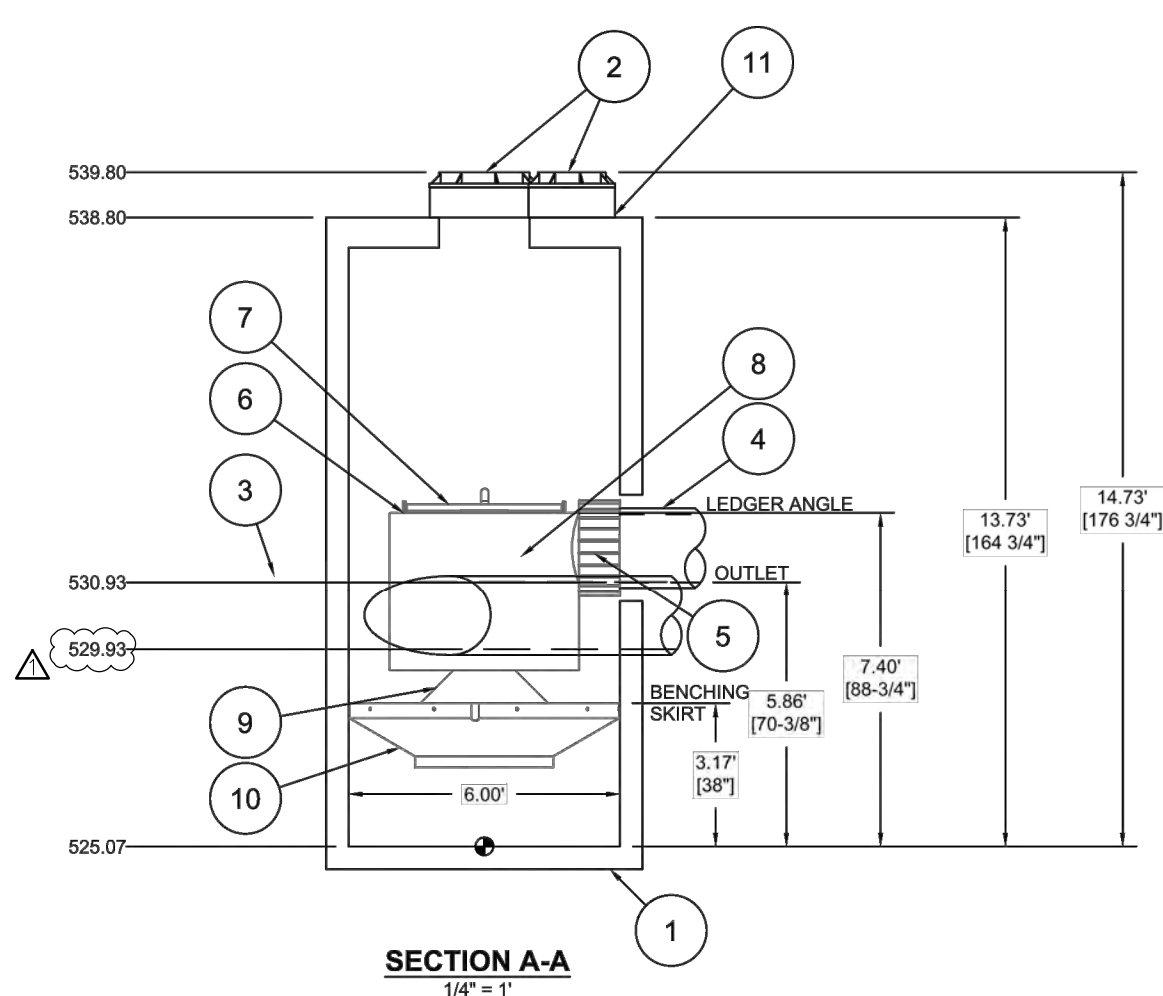
3304 E. Independence Dr.
Union, Missouri 63084
636-594-0540 (tel.)
636-594-0512 (fax)
mail@cochranchicago.com

Missouri State Certificate of Authority Numbers:
Survey: 000380
Engineering: 001655
Architecture: 2002014240



PARTS LIST: 6" DOWNSTREAM DEFENDER			
ITEM	SIZE (IN)	MATERIAL	DESCRIPTION
1	72	CONCRETE	I.D. PRECAST MANHOLE
2	18 & 24	-	FRAME & COVER
3	12	HDPE	INLET PIPE (BY OTHERS)
4	18	HDPE	OUTLET PIPE (BY OTHERS)
5	18	HDPE	PIPE COUPLING (BY OTHERS)
6	-	-	LEDGER ANGLE
7	-	-	SUPPORT FRAME
8	-	-	DIP PLATE
9	-	-	CENTER SHAFT & CONE
10	-	-	BENCHING SKIRT
11	-	-	MATERIALS & LABOR TO ACHIEVE FINAL GRADE (BY OTHERS)

NOTES:
ENGINEER / CONTRACTOR TO CONFIRM PIPE MATERIALS.



STREETS OF CALEDONIA PHASE 3
O'FALLON, MO

DATE: 06/07/21 DRAWN: GDL
PROJECT #: S239720 CHECKED: MJ

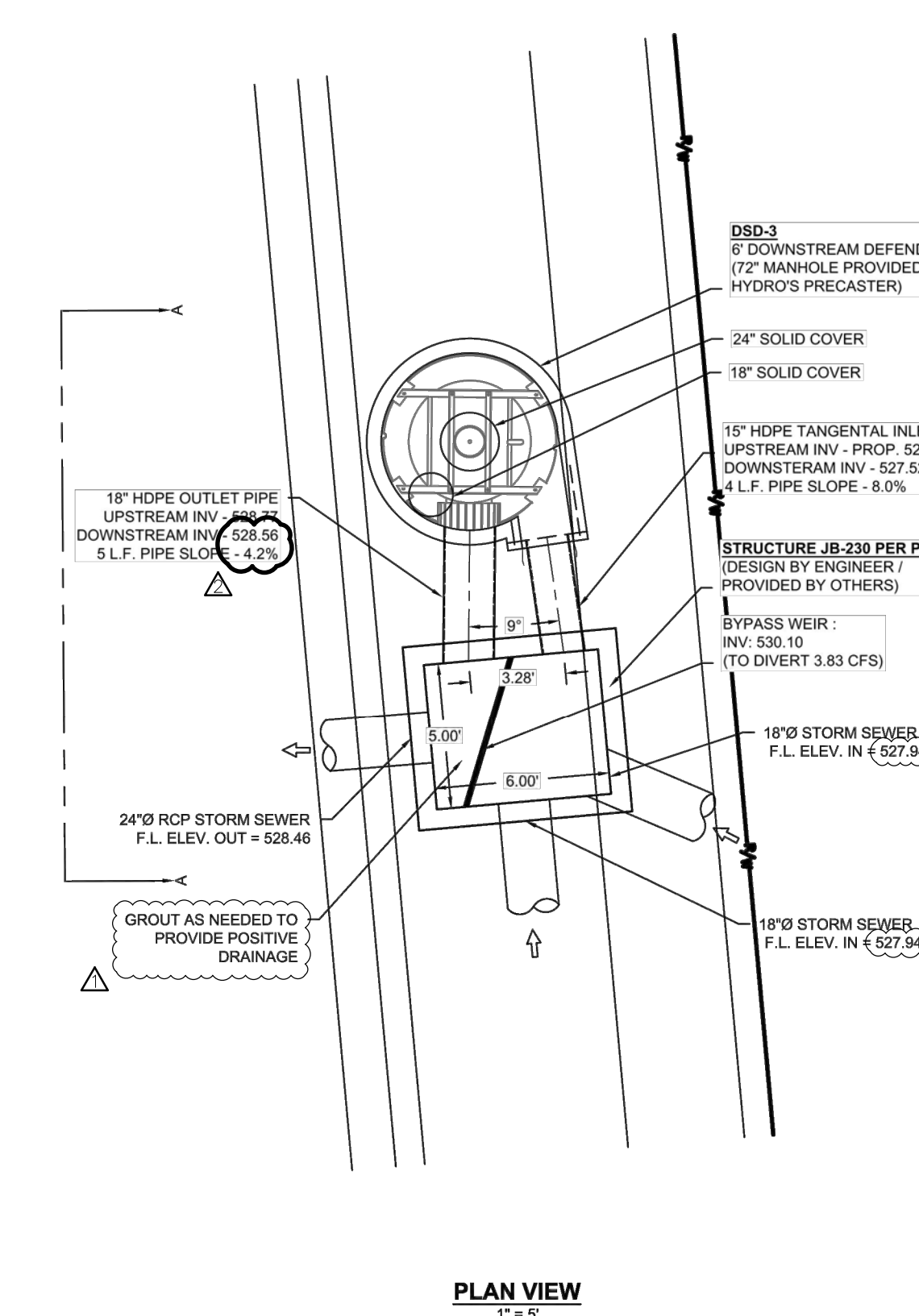
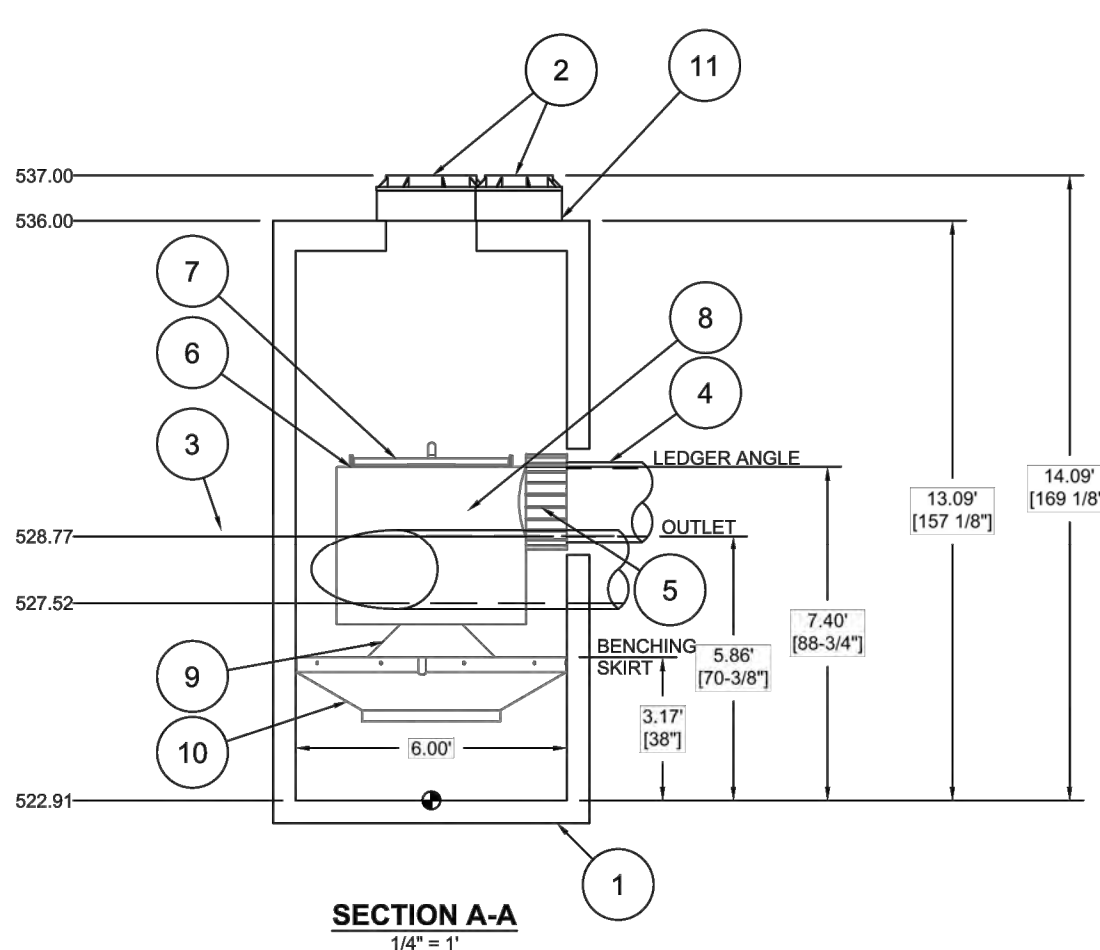
HYDRO INTERNATIONAL
4640 TRUHEMAN BLVD
HILLIARD, OH 43026

AS NOTED

3 SHEET OF 4

PARTS LIST: 6" DOWNSTREAM DEFENDER			
ITEM	SIZE (IN)	MATERIAL	DESCRIPTION
1	72	CONCRETE	I.D. PRECAST MANHOLE
2	18 & 24	-	FRAME & COVER
3	12	HDPE	INLET PIPE (BY OTHERS)
4	18	HDPE	OUTLET PIPE (BY OTHERS)
5	18	HDPE	PIPE COUPLING (BY OTHERS)
6	-	-	LEDGER ANGLE
7	-	-	SUPPORT FRAME
8	-	-	DIP PLATE
9	-	-	CENTER SHAFT & CONE
10	-	-	BENCHING SKIRT
11	-	-	MATERIALS & LABOR TO ACHIEVE FINAL GRADE (BY OTHERS)

NOTES:
ENGINEER / CONTRACTOR TO CONFIRM PIPE MATERIALS.



STREETS OF CALEDONIA PHASE 3
O'FALLON, MO

DATE: 06/07/21 DRAWN: GDL
PROJECT #: S239720 CHECKED: MJ

HYDRO INTERNATIONAL
4640 TRUHEMAN BLVD
HILLIARD, OH 43026

AS NOTED

4 SHEET OF 4

SEE SHEET C14.05 FOR TYPICAL WEIR STRUCTURE DETAIL

OWNER/DEVELOPER:
DD LAND DEVELOPMENT, LLC
10407 BAUR BLVD, SUITE B
ST. LOUIS, MO 63132

**THE STREETS OF CALEDONIA
PHASE 3 RESIDENTIAL
O'FALLON, MISSOURI**

DETAIL SHEET

DATE: 06-29-21
DATE: 07-20-21

DESIGNER: JMM
CHECKER: JMM

APPROVED BY: ERR

DATE: MAY 25, 2021

SCALE: NO SCALE

PROJ. NO.: 17-6821

DWG. NO.: **C14.13**

Drawing name: F:\17-6821 - 260 Acre Tract along Hwy 40, O'Fallon, MO\AutoCad Drawings\6821 - Plan Sheets\Construction Drawings\PH3 Residential Plans\46_ADS Detail Sheet - Phase 3.dwg Tab: C14.13 Plotted on: Jul 20, 2021 - 12:54pm Plotted by: tishove