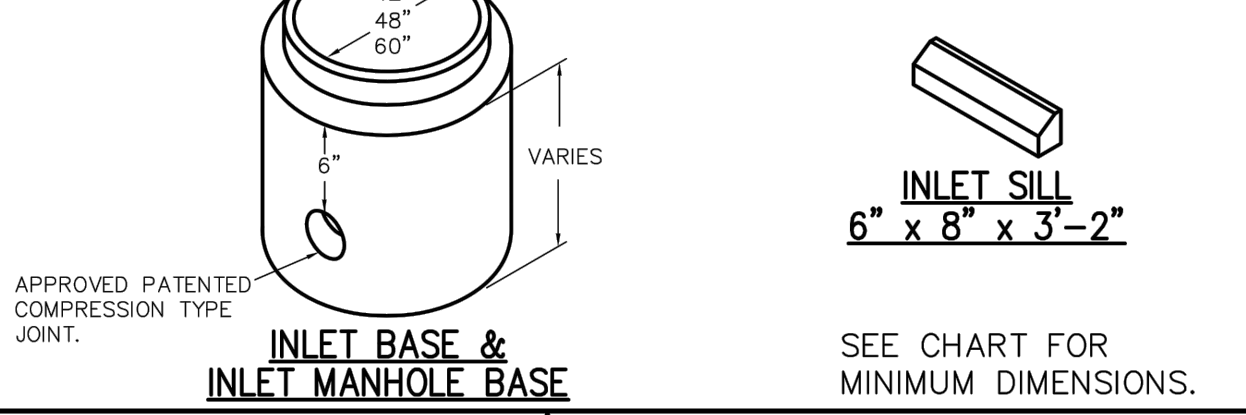
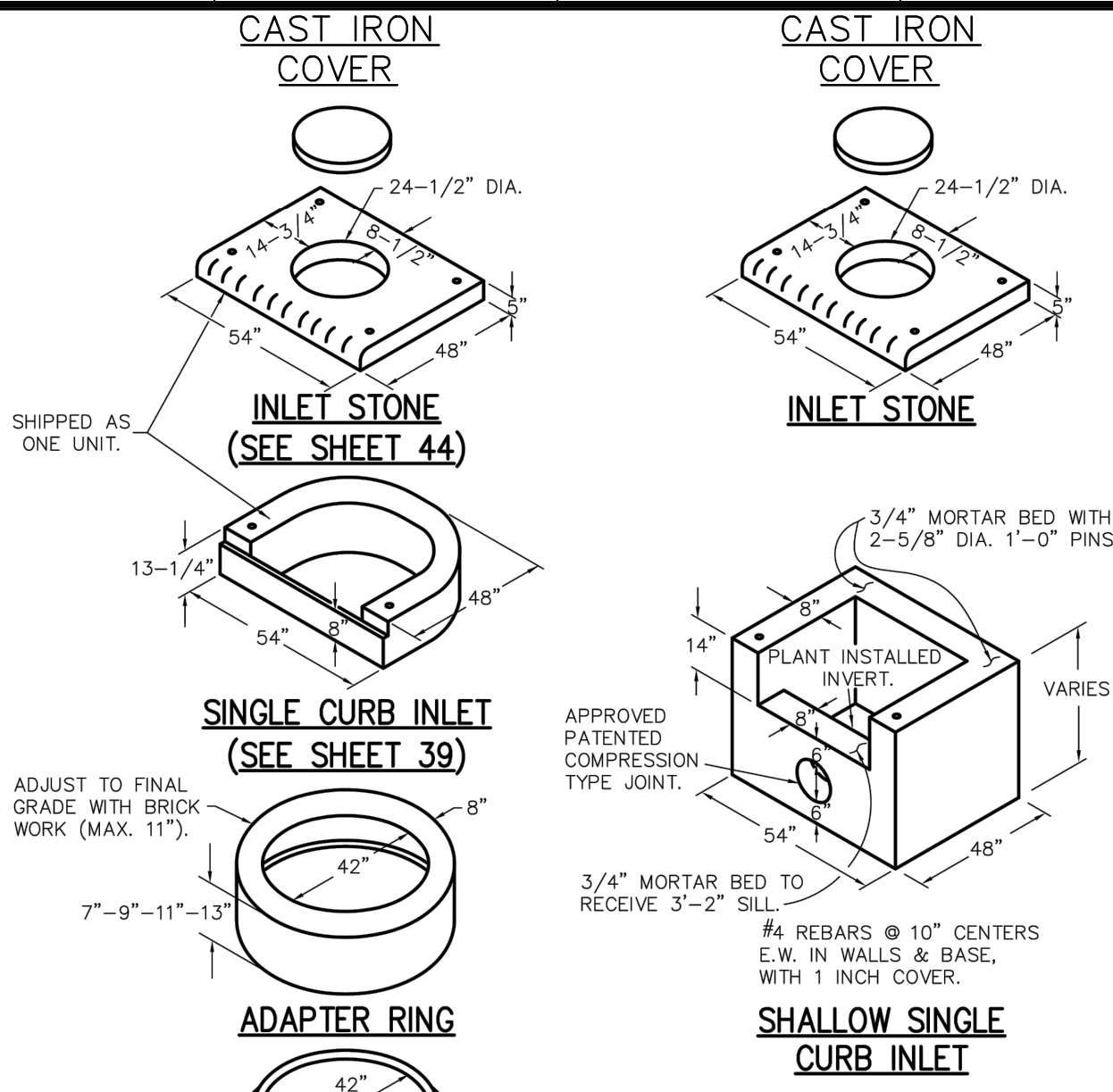


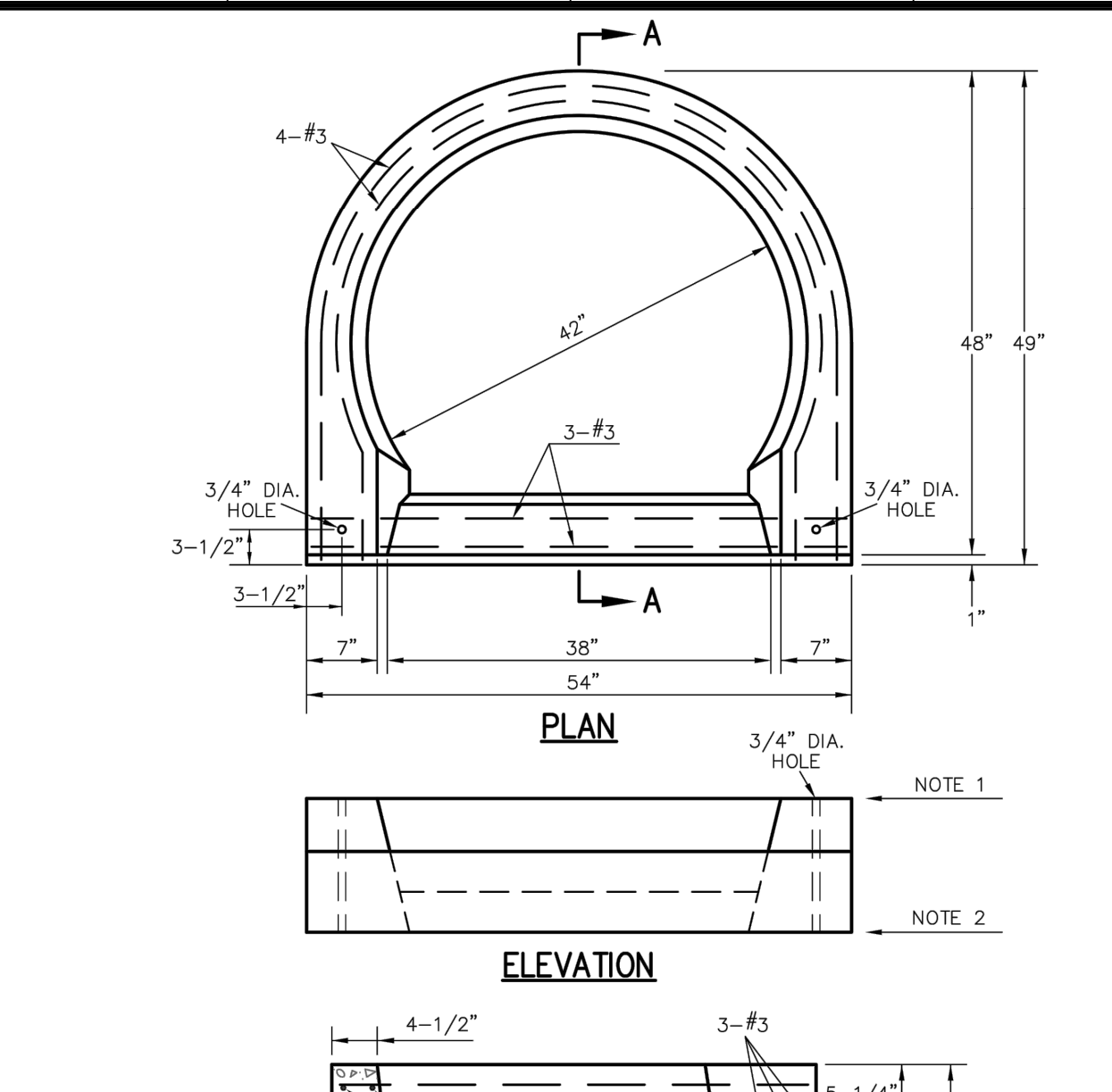
NOTES:

- 1) THE MINIMUM INSIDE DIAMETER FOR THE BASE AND RISER SECTIONS SHALL BE 42 INCHES FOR 8 INCH DIAMETER SANITARY SEWERS AND ALL STORM SEWERS. THE MINIMUM INSIDE DIAMETER FOR SANITARY SEWERS LARGER THAN 8 INCH DIAMETER IS 48 INCHES. MANHOLE SHALL MEET ASTM C-478 REQUIREMENTS.
- 2) FLOWLINE ELEVATION OF INCOMING PIPES SHALL BE 1 INCH HIGHER THAN THAT OF OUTGOING PIPE.
- 3) PIPE SIZES LARGER THAN 24 INCH DIAMETER MAY REQUIRE MANHOLE DIAMETERS OF 60 INCH, 72 INCH OR 96 INCH AS DETERMINED BY OUTSIDE DIAMETERS AND ORIENTATIONS OF CONNECTING PIPES.
- 4) ECCENTRIC CONES SHALL BE USED ON DIAMETERS 60 INCH AND LARGER. STEPS SHALL EXTEND DOWN VERTICAL WALL OF CONE.
- 5) PRIOR TO FABRICATION, SHOP DRAWINGS SHALL BE SUBMITTED TO THE DISTRICT FOR APPROVAL OF MANHOLES ON PIPE DIAMETERS LARGER THAN 24 INCH AND ALSO FOR THOSE STRUCTURES WITH A DROP PIPE CONNECTION.

PRECAST CONCRETE MANHOLE	METROPOLITAN ST. LOUIS SEWER DISTRICT Standard Details of Sewer Construction		
Dr. WSH/SAM Ch. J.C.K.	2009	SHEET 21 (REV)	



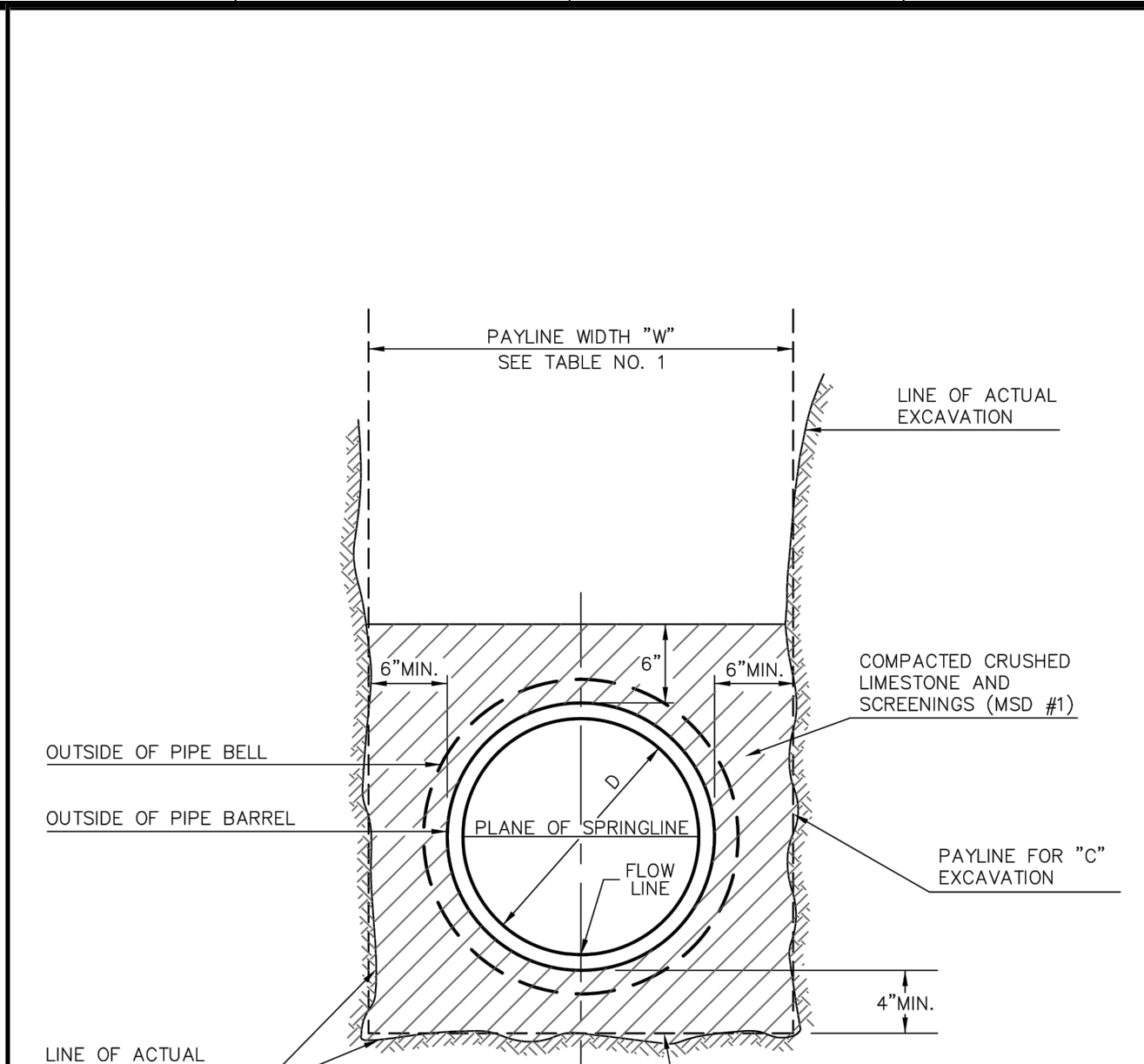
SINGLE STREET INLETS PRECAST CONCRETE	METROPOLITAN ST. LOUIS SEWER DISTRICT Standard Details of Sewer Construction		
Dr. JLG/SAM Ch. J.C.K.	2009	SHEET 36	



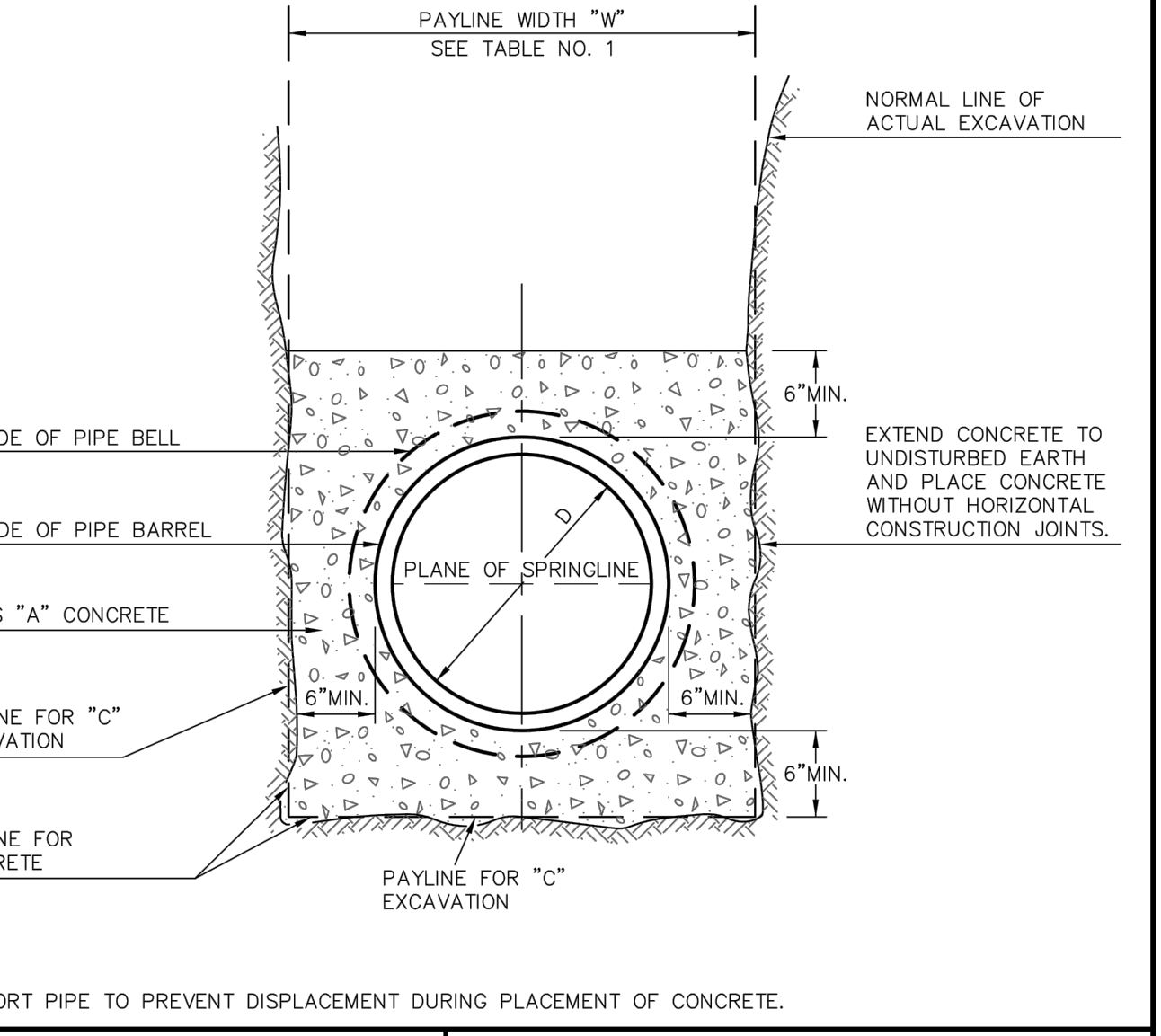
NOTES:

- 1) SET STANDARD INLET STONE IN 3/4" MORTAR BED AND DOWEL WITH 5/8" DIA. 1'-0" LONG PINS AND GROUT.
- 2) RAISE TO FINAL GRADE WITH COURSES OF BRICK AND SET THE UNIT TO BASE WITH 3/4" MORTAR BED.
- 3) THIS UNIT IS TO BE USED WITH 42 INCH I.D. POURED-IN-PLACE CONCRETE OR BRICK BASE.
- 4) 5000 P.S.I. CONCRETE IS REQUIRED.

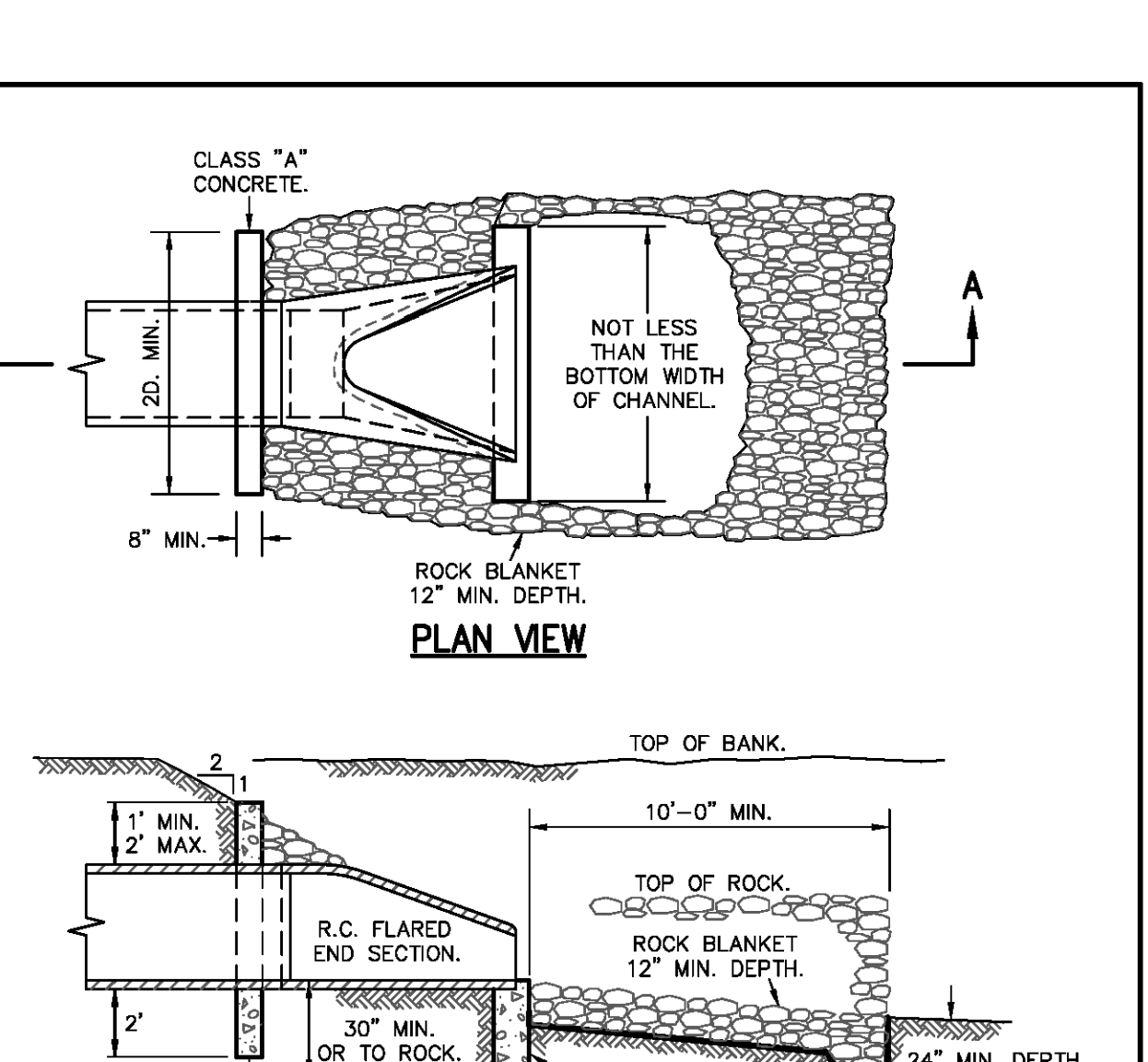
PRECAST CONCRETE UNIT FOR SINGLE STREET INLET	METROPOLITAN ST. LOUIS SEWER DISTRICT Standard Details of Sewer Construction		
Dr. WSH/SAM Ch. J.C.K.	2009	SHEET 39	



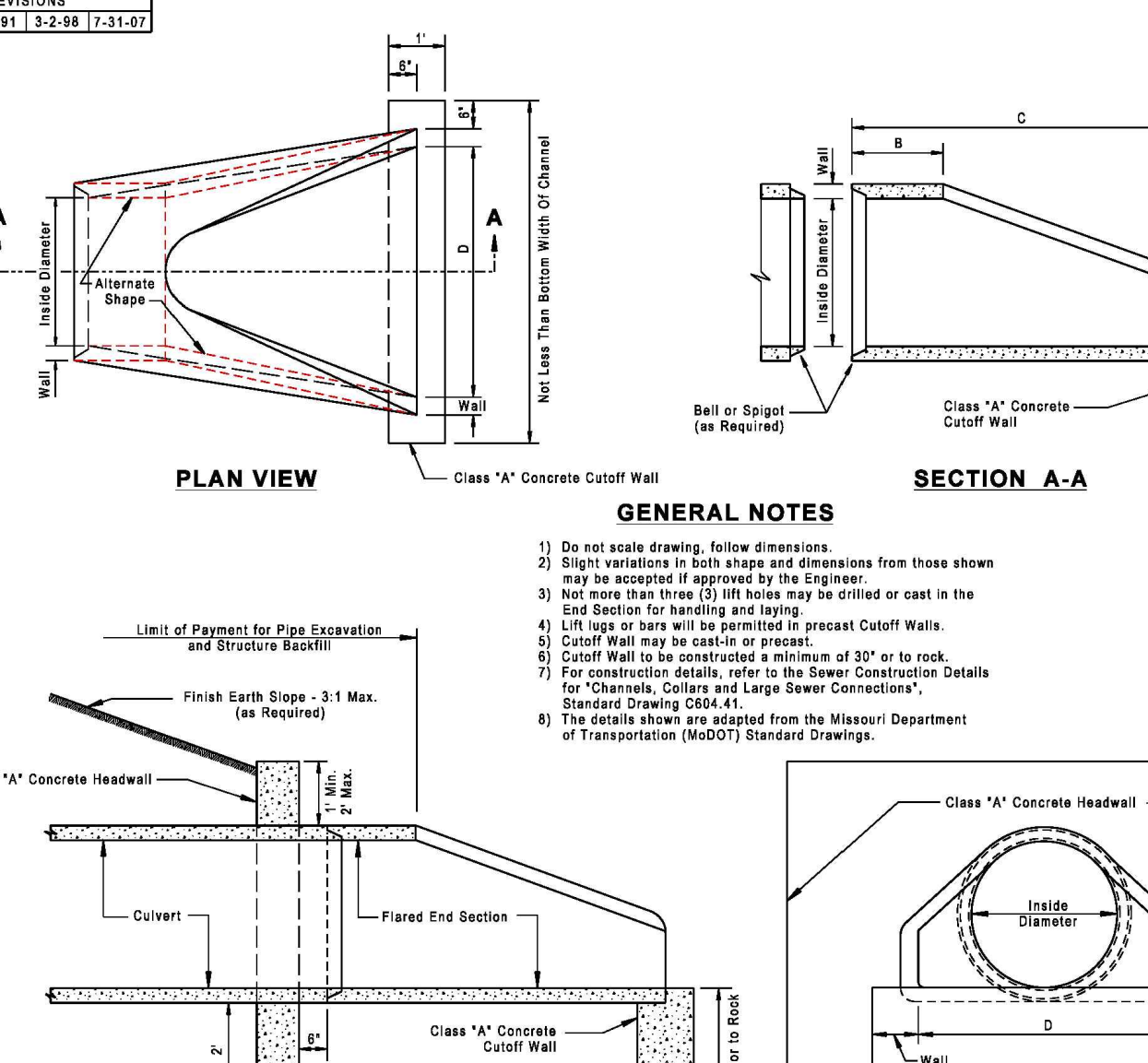
PIPE BEDDING CLASS "C" (FOR ALL 6" TO 18" PIPE EXCEPT REINFORCED CONCRETE PIPE)	METROPOLITAN ST. LOUIS SEWER DISTRICT Standard Details of Sewer Construction		
Dr. W.S.H. Ch. J.C.K.	2009	SHEET 4	



CONCRETE ENCASEMENT	METROPOLITAN ST. LOUIS SEWER DISTRICT Standard Details of Sewer Construction		
Dr. W.S.H. Ch. J.C.K.	2009	SHEET 8	

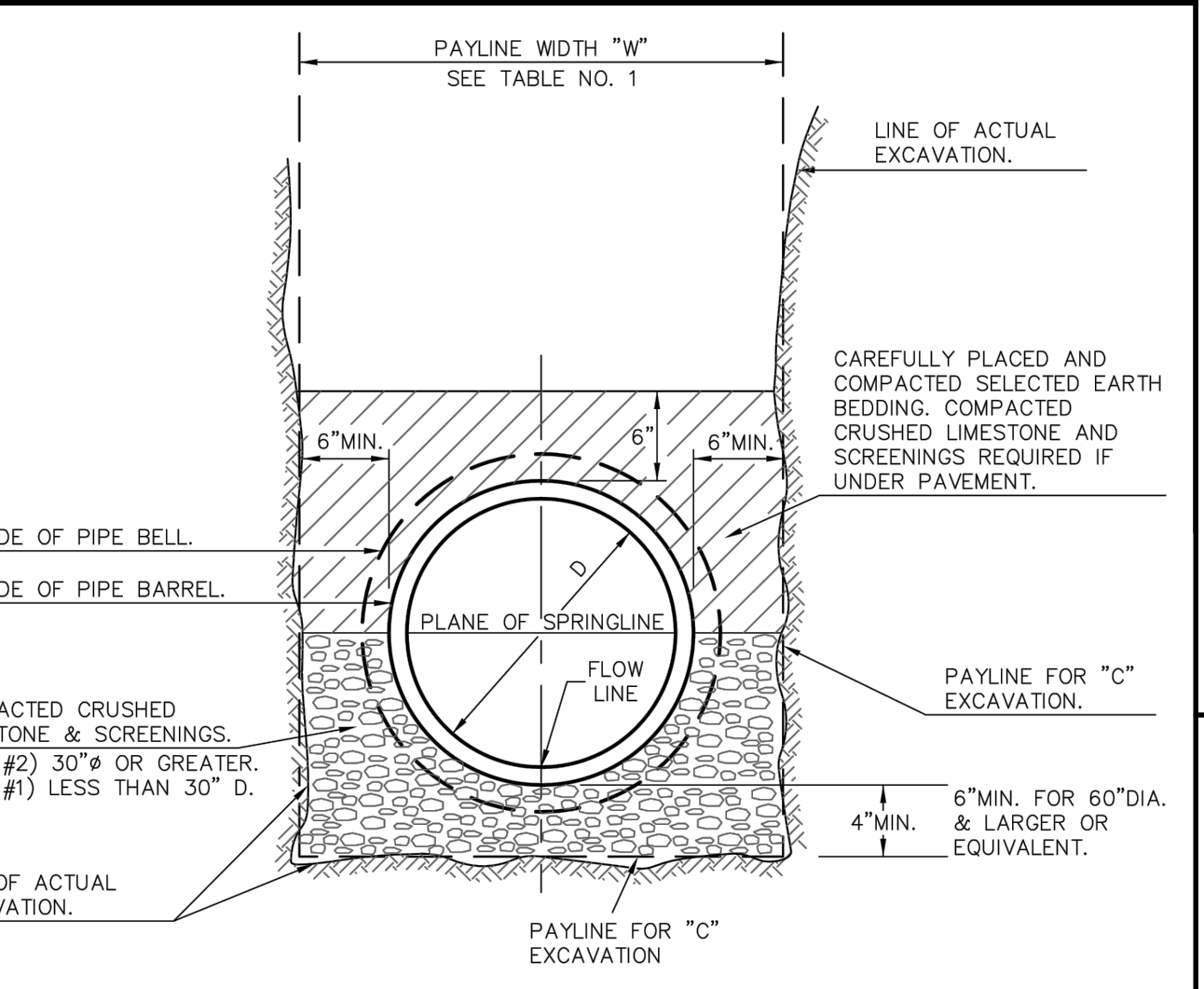


FLARED END SECTION	METROPOLITAN ST. LOUIS SEWER DISTRICT Standard Details of Sewer Construction		
Dr. WSH/SAM Ch. J.C.K.	2009	SHEET 61	

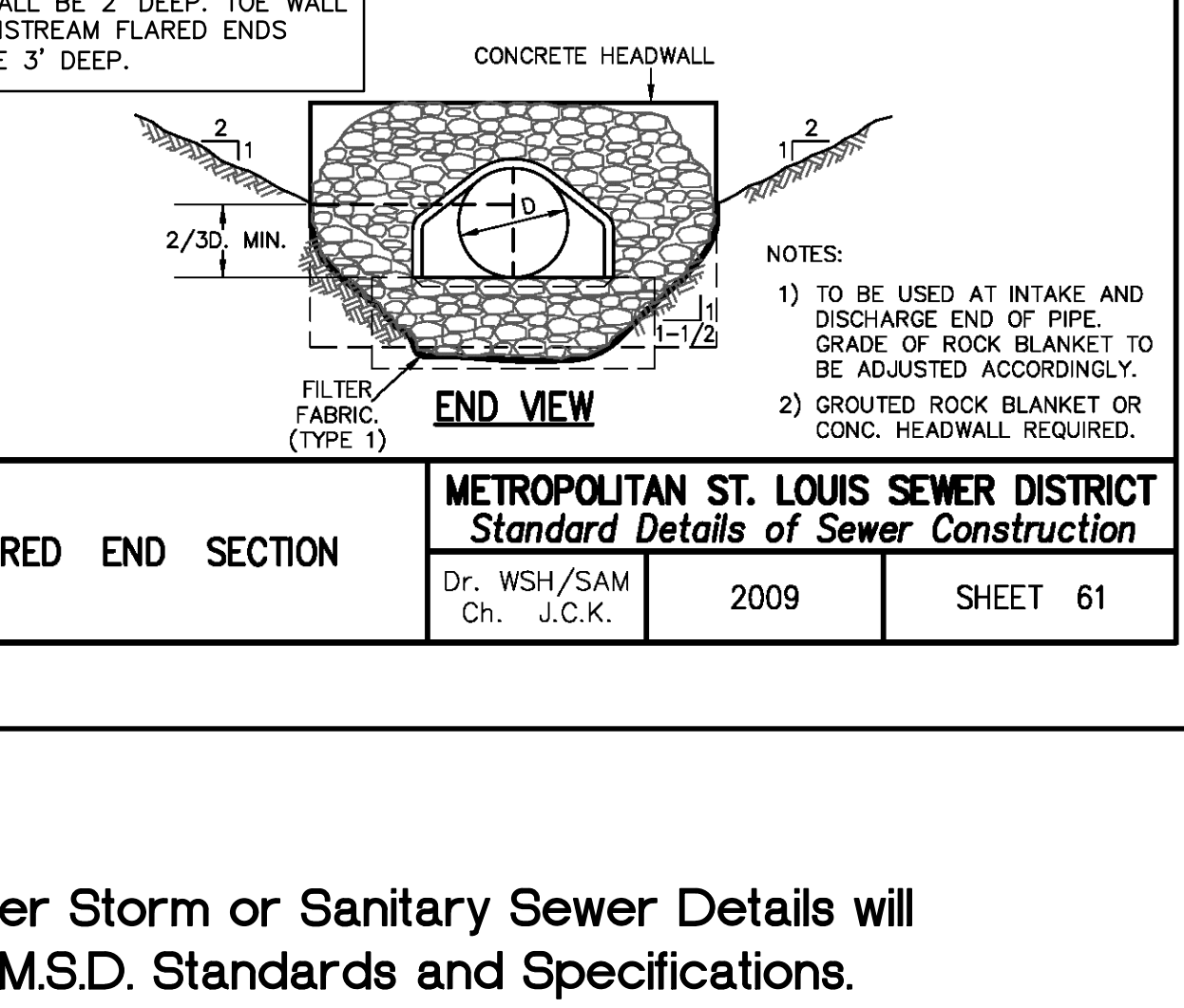


FLARED END SECTION (PRECAST CONCRETE)	METROPOLITAN ST. LOUIS SEWER DISTRICT Standard Details of Sewer Construction		
Dr. WSH/SAM Ch. J.C.K.	2009	SHEET 61	

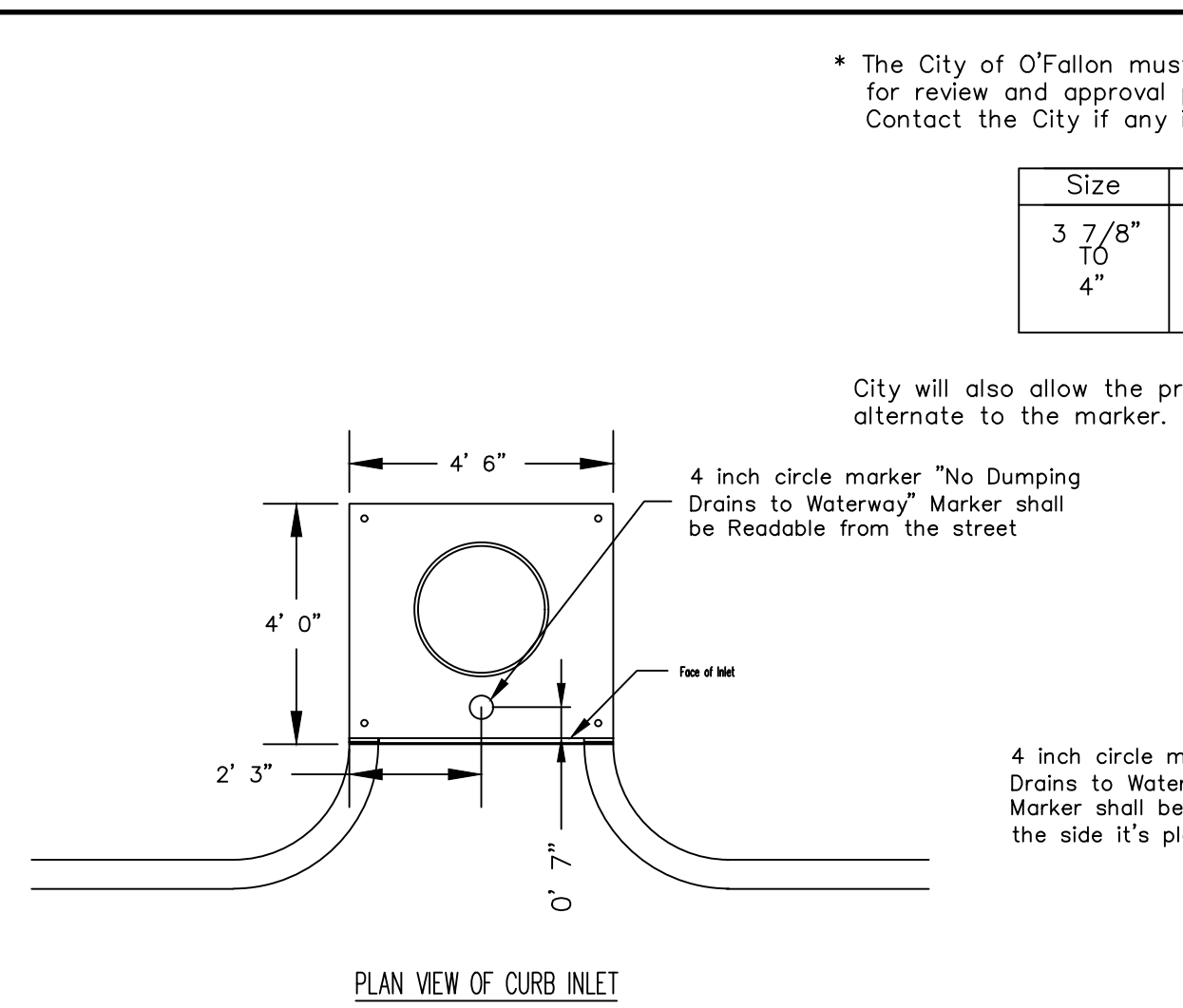
Dim.	Wall	A	B	C	E
12"	2'-0"	4"	4'-0"	4"	4'-0"
15"	2'-0"	4"	4'-0"	4"	4'-0"
18"	2'-0"	4"	4'-0"	4"	4'-0"
21"	2'-0"	4"	4'-0"	4"	4'-0"
24"	2'-0"	4"	4'-0"	4"	4'-0"
27"	2'-0"	4"	4'-0"	4"	4'-0"
30"	2'-0"	4"	4'-0"	4"	4'-0"
33"	2'-0"	4"	4'-0"	4"	4'-0"
36"	2'-0"	4"	4'-0"	4"	4'-0"
39"	2'-0"	4"	4'-0"	4"	4'-0"
42"	2'-0"	4"	4'-0"	4"	4'-0"
45"	2'-0"	4"	4'-0"	4"	4'-0"
48"	2'-0"	4"	4'-0"	4"	4'-0"
51"	2'-0"	4"	4'-0"	4"	4'-0"
54"	2'-0"	4"	4'-0"	4"	4'-0"
57"	2'-0"	4"	4'-0"	4"	4'-0"
60"	2'-0"	4"	4'-0"	4"	4'-0"
63"	2'-0"	4"	4'-0"	4"	4'-0"
66"	2'-0"	4"	4'-0"	4"	4'-0"



PIPE BEDDING CLASS "C" (MODIFIED FOR REINFORCED CONCRETE PIPE)	METROPOLITAN ST. LOUIS SEWER DISTRICT Standard Details of Sewer Construction		
Dr. W.S.H. Ch. J.C.K.	2009	SHEET 5	



PIPE BEDDING CLASS "C" (MODIFIED FOR REINFORCED CONCRETE PIPE)	METROPOLITAN ST. LOUIS SEWER DISTRICT Standard Details of Sewer Construction		
Dr. W.S.H. Ch. J.C.K.	2009	SHEET 5	



PIPE BEDDING CLASS "C" (MODIFIED FOR REINFORCED CONCRETE PIPE)	METROPOLITAN ST. LOUIS SEWER DISTRICT Standard Details of Sewer Construction		
Dr. W.S.H. Ch. J.C.K.	2009	SHEET 5	

Size	Style	Adhesive	Message (Part #)
3 7/8" TO 4"	Crystal Cap or Standard Style	Epoxy	No Dumping Drains to Waterway

City will also allow the precast inlet stone with a similar message as an approved alternate to the marker.

4 inch circle marker "No Dumping Drains to Waterway" Marker shall be readable from the side it's placed on.	4 inch circle marker "No Dumping Drains to Waterway" Marker shall be readable from the side it's placed on.
--	--

Public or Private inlets

636-594-0540 (tel.)
636-594-0512 (fax)
mailto:ochran@ochran.com
330A E. Independence Dr.
Union, Missouri 63084

MOHRAN
Civil Engineering
Land Surveying
Architecture
Site Development
General Consulting
Master Planning

Missouri State Certificate
of Authority Numbers:
Survey: 000380
Engineering: 001655
Architecture: 2002014240

Three working days prior to
the start of any excavation
call 1-800-465-8772 for utility
location information.

All OSHA rules & regulations
and applicable state and local
construction regulations by these
plans shall be strictly followed
(i.e. trenching, blasting, etc.)

STATE OF MISSOURI
TIMOTHY SCHOWE
Professional Engineer
NUMBER
FE-201800268
3-4-2

THE STREETS OF CALEDONIA
POOL CLUBHOUSE
O'FALLON, MISSOURI

DATE: 08-18-21
CITY COMMENTS/CLARIFICATIONS
REVISION: JMM
APP'D BY: ERR
DATE: AUG. 04, 2021
SCALE: 1" = 20'
PROJ. NO.: 17-6821
DWG. NO.: C7.03

CITY OF O'FALLON
ENGINEERING DEPARTMENT
O'FALLON, MISSOURI

STORM DRAIN
MARKER LOCATION