

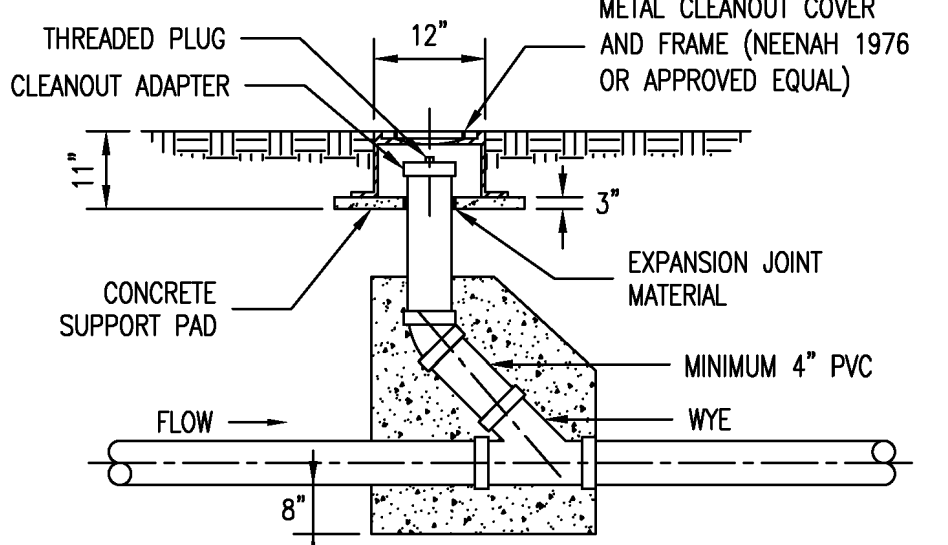
NOTES:
ALL PVC SANITARY SEWER PIPE SHALL CONFORM TO THE REQUIREMENTS OF ASTM D-3034 STANDARD SPECIFICATION FOR POLYVINYL CHLORIDE SEWER PIPE, SDR-35 OR EQUAL, WITH "CLEAN" 1/2 INCH TO 1 INCH GRANULAR STONE BEDDING UNIFORMLY GRADED. THIS BEDDING SHALL EXTEND FROM 4 INCHES BELOW THE PIPE TO SPRINGLINE OF PIPE. IMMEDIATE BACKFILL OVER PIPE SHALL CONSIST OF SAME SIZE "CLEAN" OR "MINUS" STONE FROM SPRINGLINE OF PIPE TO 6 INCHES ABOVE THE TOP OF PIPE. FINAL BACKFILL MATERIAL SHALL BE OF SUITABLE MATERIAL REMOVED FROM EXCAVATION EXCEPT AS OTHER MATERIAL IS SPECIFIED. DEBRIS, FROZEN MATERIAL, LARGE ROCKS OR STONES, OR OTHER UNSTABLE MATERIALS SHALL NOT BE USED WITHIN 2 FEET FROM TOP OF PIPE.

Duckett Creek Sanitary District

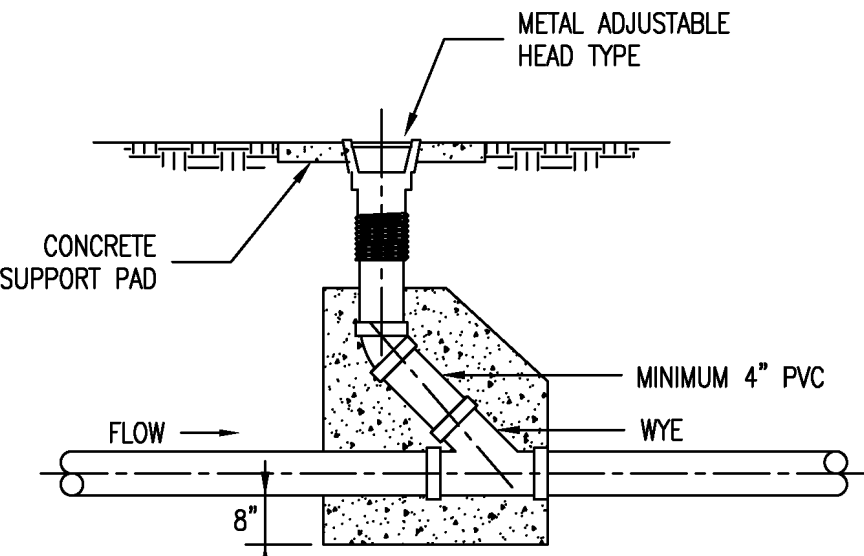
PIPE BEDDING CLASS "C" (FOR ALL EXCEPT REINFORCED CONCRETE PIPE)

Down By: BSM App By: KA Detail No. 3

Ckd By: MDOB Date: JULY 2016



METAL FRAME AND COVER TYPE CLEANOUT



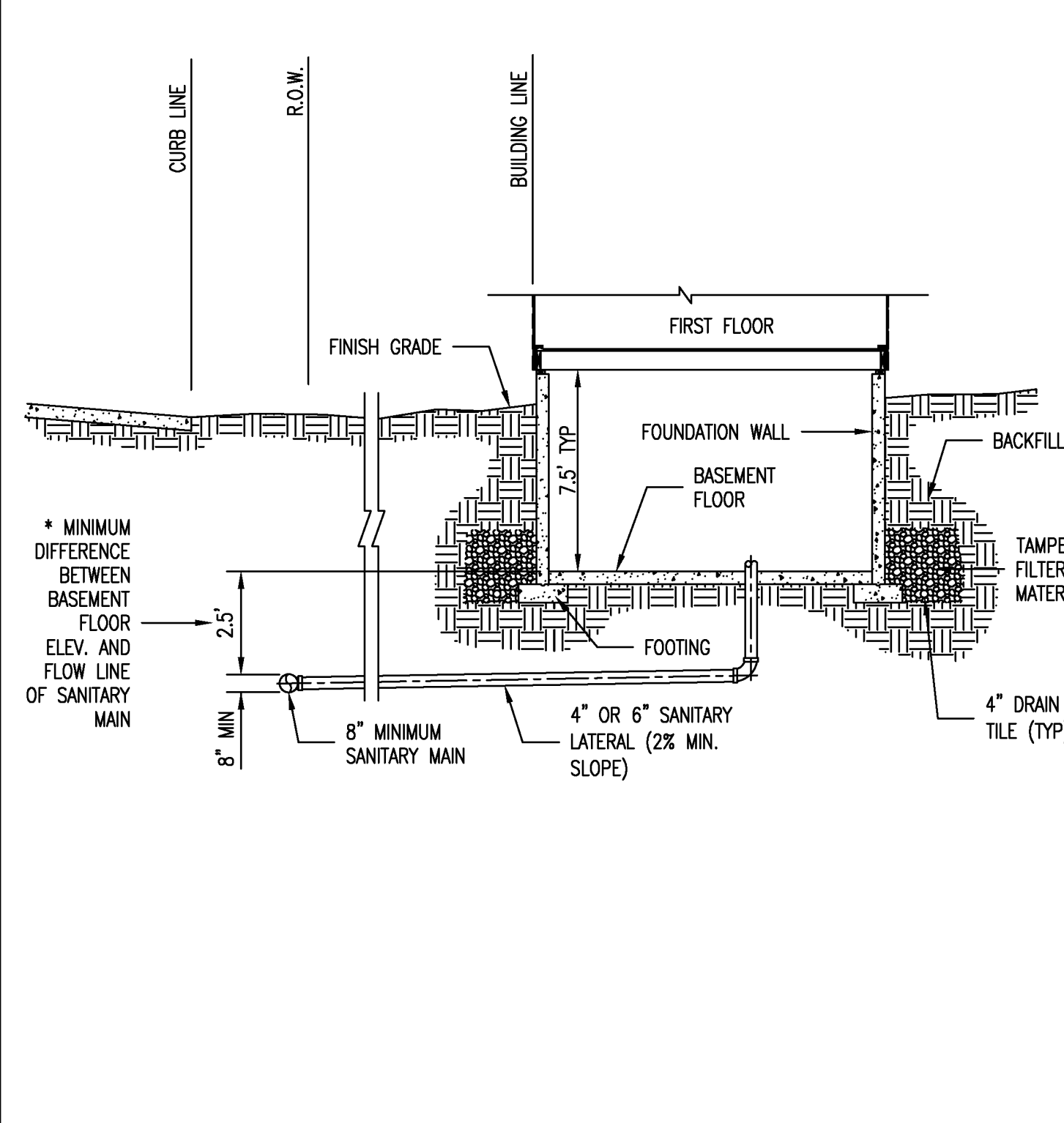
ADJUSTABLE HEAD TYPE CLEANOUT

Duckett Creek Sanitary District

TYPICAL SEWER LATERAL CLEANOUT DETAIL

Down By: BSM App By: KLA Detail No. 25

Ckd By: MDOB Date: DEC. 2015



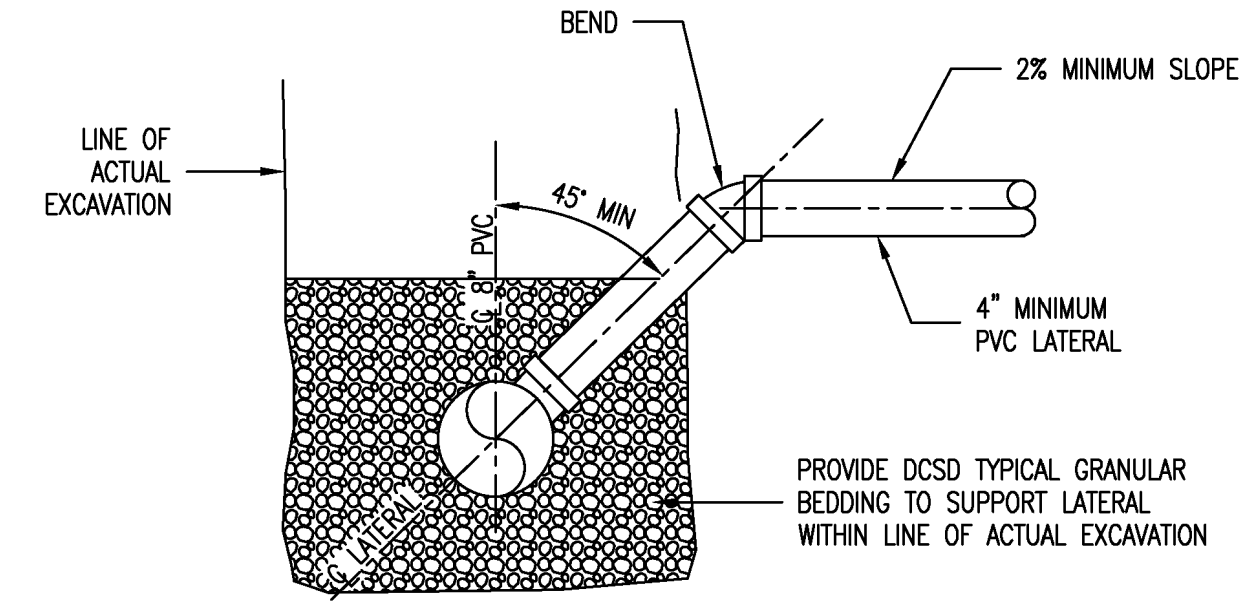
*NOTE: DIFFERENCE IN DEPTH INCREASES WITH PIPE SIZE

Duckett Creek Sanitary District

TYPICAL SANITARY SEWER LATERAL PROFILE

Down By: BSM App By: KLA Detail No. 26

Ckd By: MDOB Date: DEC. 2015



Duckett Creek Sanitary District

SANITARY SEWER LATERAL RISER DETAIL

Down By: BSM App By: KA Detail No. 27

Ckd By: MDOB Date: DEC. 2015

Duckett Creek Sanitary District

PLASTIC SADDLE TEE OR WYE FITTING (SOLVENT WELD)

EXISTING PLASTIC PIPE

ADJUSTABLE STAINLESS STEEL STRAPS AND SCREWS

WHEN CONNECTION TO A PLASTIC PIPE IS ALLOWED AND A CONNECTION IS LARGER THAN 6" IN DIAMETER, A SOLVENT WELD WYE OR TEE FITTING OF A SIMILAR MATERIAL MUST BE USED. (EXAMPLE: 10" x 8")

THIS IS ACCOMPLISHED BY CAREFULLY CUTTING A HOLE WITH A SAW IN THE MAIN AT THE REQUIRED LOCATION AFTER CUTTING AND SHAPING THE HOLE TO THE SIZE OF THE FITTING. THE FOLLOWING STEPS SHOULD BE TAKEN:

- CLEAN AND DRY BOTH INSIDE THE SADDLE WYE SURFACE AND PIPE SURFACE TO BE SOLVENT CEMENTED.
- IMPORTANT:** APPLY A LIBERAL, HEAVY COAT OF ONE-STEP SOLVENT CEMENT TO THE INSIDE SURFACE OF THE SADDLE WYE AND TO THE EXTERIOR WELDING SURFACE TO THE PIPE.
- WITHOUT DELAY, MATE THE SURFACES AND STRAP DOWN TIGHTLY. A BEAD OF SOLVENT SHOULD APPEAR AFTER THE SADDLE HAS BEEN STRAPPED DOWN TIGHTLY.
- USING A RAG OR PAPER TOWEL, WIPE BEAD AND ANY EXCESS SOLVENT CEMENT OFF PIPE AND SADDLE.
- ALLOW 30-60 MINUTES FOR SET-UP TIME BEFORE BACKFILLING. CURE TIME DEPENDS ON SIZE FIT OF MATERIALS BEING INSTALLED AND VARIOUS COLD DAMP CONDITIONS.
- DISCARD OLD SOLVENT IF IT BECOMES JELLED OR LUMPY.
- A CLEAN, DRY BEDDING MATERIAL IS REQUIRED AROUND THE COMPLETED CONNECTION BEFORE BACKFILLING. THE BEDDING MATERIAL SHOULD BE ONE OF THE FOLLOWING:
 - 1 TO 3 CEMENT TO SAND MIX
 - "PRE-MIX" CONCRETE.
 - DCSD APPROVED BEDDING FOR SANITARY SEWERS.

Duckett Creek Sanitary District

8" AND LARGER CONNECTION TO PLASTIC MAIN

Down By: BSM App By: KA Detail No. 20A

Ckd By: MDOB Date: DEC. 2015

Duckett Creek Sanitary District

WOVEN FABRIC (MIRAFI 100X OR EQUAL) OVER WIRE MESH (12 GA, 6X6 MESH)

5' MAX W/O REINFORCED BACKING

2X2 CONSTRUCTION GRADE LUMBER, 4' LONG

FASTEN WITH 3-50 LB. DIAGONAL CABLE TIES WITHIN TOP 8" OF FABRIC OR 4-1" LONG STAPLES

INSTALL ALONG CONTOUR NO SLOPE

6" MIN TRENCH

ELEVATION

CRITERIA

- SILT FENCE SHALL BE 24 INCHES HIGH.
- SILT FENCE SHALL NOT BE USED FOR CONCENTRATED FLOWS.
- GEOSYNTHETIC REINFORCED SILT FENCE BACKING MAY BE USED IN LIEU OF WIRE MESH.
- WIRE MESH WILL BE USED AT LOCATIONS SHOWN ON THE APPROVED SWPPP.

< 1% SLOPE IN FRONT OF BARRIER, 5' MIN

24" MIN

WIRE MESH FABRIC

TRENCH TO BE BACK FILLED AND COMPACTED

6" MIN DEPTH

BURY 1' OF FABRIC ALONG BOTTOM AND EDGE OF TRENCH

SECTION

WRAP GEOTEXTILE AROUND STAKES BEFORE DRIVING

JOINING SECTIONS OF SILT FENCE

NOTE: IF FABRIC IS INSTALLED BY EQUIPMENT DESIGNED TO SLICE INTO THE GROUND, THE TRENCH IS NOT REQ'D.

CITY OF O'FALLON ENGINEERING DEPARTMENT O'FALLON, MISSOURI

SILT FENCE INSTALLATION SHEET FLOW (ONLY)

Duckett Creek Sanitary District

CURB INLET

15'

15'

PLACE OUTSIDE OF SUMP

PLACE OUTSIDE OF SUMP

6" MIN

SINGLE GRAVEL BAG FOR DRAINAGE

SINGLE ROW OF GRAVEL BAGS

SILT SOCK OR EQUAL

TRAP PLACEMENT AT LOW POINT

SILT SOCK (ALTERNATIVE)

SPACING OF TRAPS

GUTTER SLOPE	S
LOW PT	15'
1%	20'
2%	15'
3% MAX.	10'

DESIGN CRITERIA

- MAXIMUM DRAINAGE AREA - 1 ACRE.
- PEAK RUNOFF SHALL BE ≤ 2 CFS BASED ON THE 6-MONTH STORM.
- STACK GRAVEL BAGS DOUBLE HIGH. PROVIDE GAP FOR DRAINAGE.

CURB INLET PROTECTION

CITY OF O'FALLON ENGINEERING DEPARTMENT O'FALLON, MISSOURI

636-594-0540 (tel.)
636-594-0512 (fax)
mailto:ochran@ochran.com

COCHRAN

330A E. Independence Dr.
Union, Missouri 63084

Missouri State Certificate of Authority Numbers:
Survey: 000380
Engineering: 001655
Architecture: 2002014240

Three working days prior to the start of any excavation call 1-800-910-8176 for utility location information.

All OSHA rules & regulations apply. All construction required by these plans shall be strictly followed (i.e. trenching, blasting, etc.).

STATE OF MISSOURI
TIMOTHY SCOWE
Professional Engineer
NUMBER PE-201800268
3-4-21

THE STREETS OF CALEDONIA
POOL CLUBHOUSE
O'FALLON, MISSOURI

DATE: 08-18-21

DATE: AUG. 04, 2021

SCALE: 1" = 20'

PROJ. NO.: 17-6821

DWG. NO.: C7.05