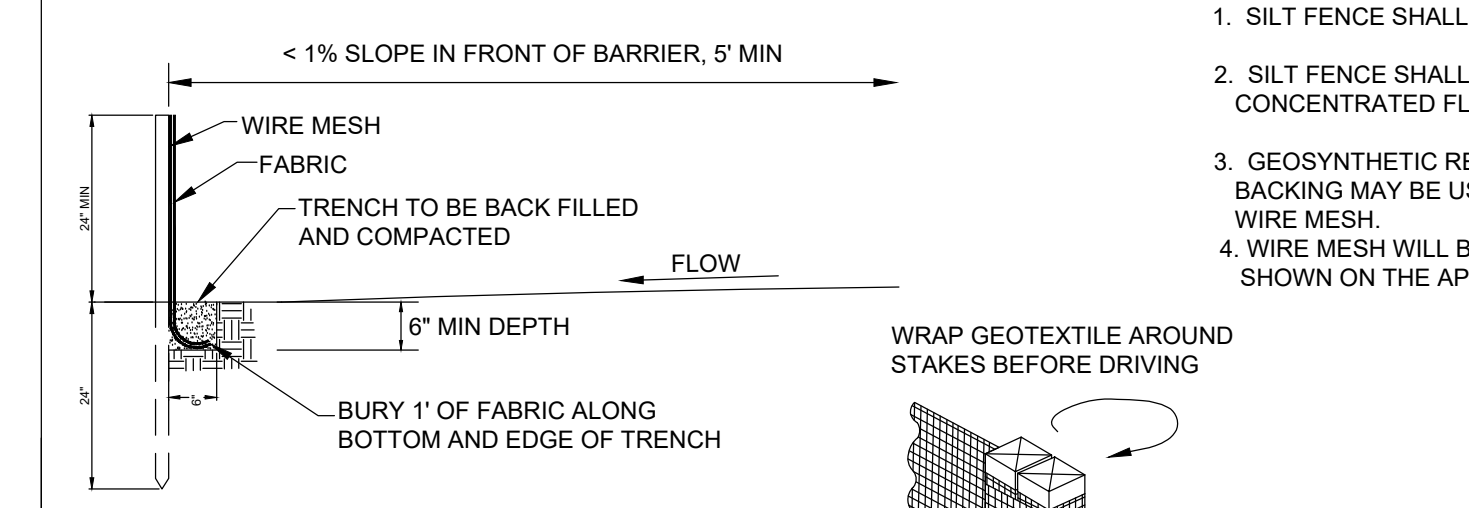
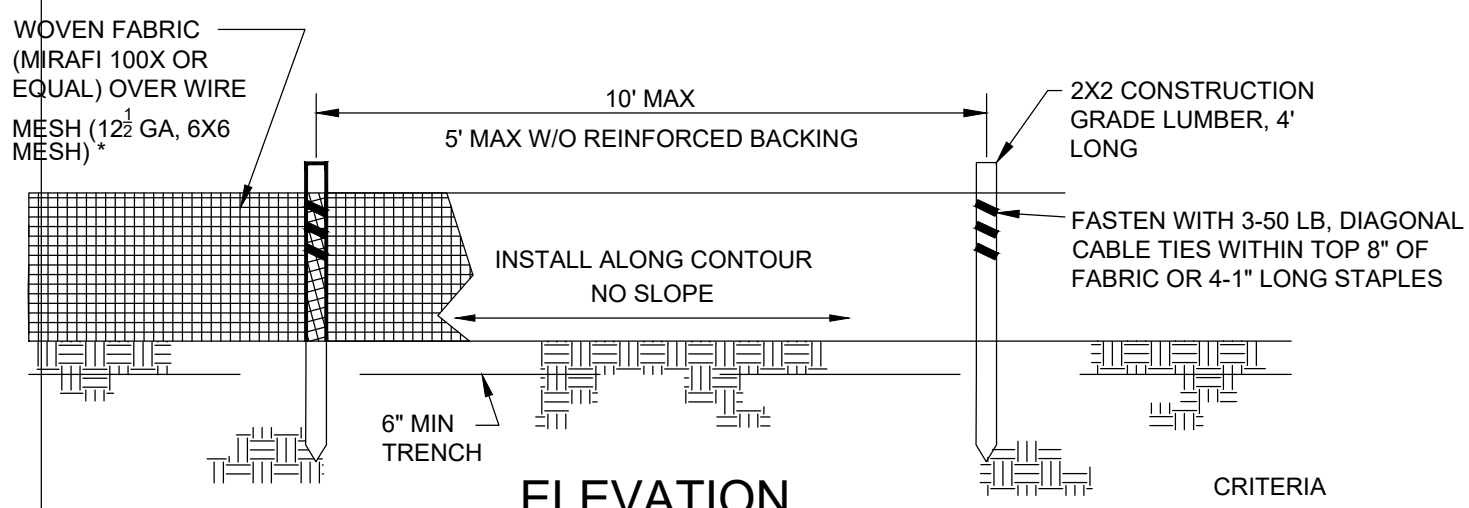


- DESIGN CRITERIA**
- SILT FENCE FOR SHEET FLOW SHALL HAVE A MAXIMUM DRAINAGE AREA OF 1/4 ACRE PER 100 LF.
 - STRAW BALE BARRIERS FOR SHEET FLOW SHALL HAVE A MAXIMUM DRAINAGE AREA OF 1/4 ACRE PER 100 LF.
 - REFER TO INDIVIDUAL ESC FIGURE FOR INSTALLATION.
 - TERRACING INCLUDES LOGS, WATTLES & FILTER SOCKS.

CITY OF O'FALLON
ENGINEERING DEPARTMENT
O'FALLON, MISSOURI

**SPACING CHART
FOR ESC DEVICES**



ELEVATION

SECTION

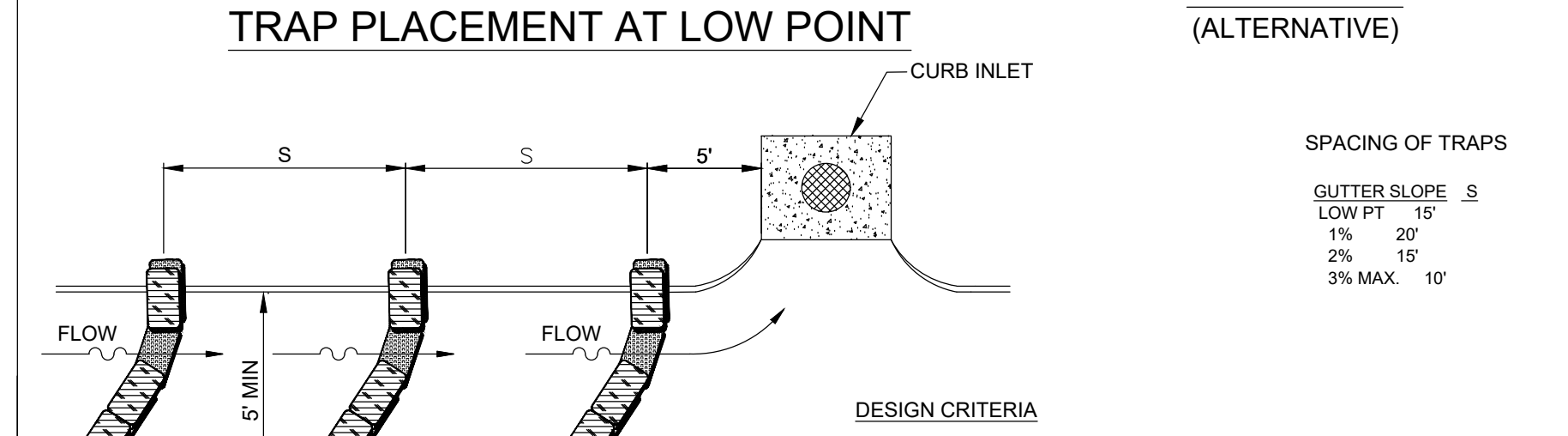
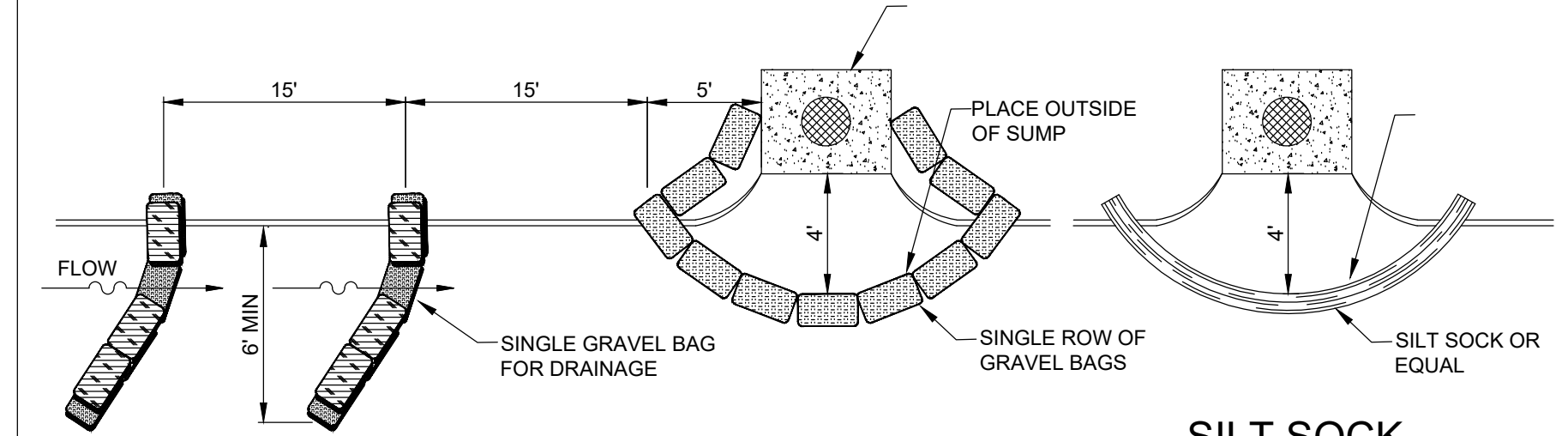
NOTE: IF FABRIC IS INSTALLED BY EQUIPMENT DESIGNED TO SLICE INTO THE GROUND, THE TRENCH IS NOT REQ'D.

JOINING SECTIONS OF SILT FENCE

CITY OF O'FALLON
ENGINEERING DEPARTMENT
O'FALLON, MISSOURI

**SILT FENCE INSTALLATION
SHEET FLOW (ONLY)**

- CRITERIA**
- SILT FENCE SHALL BE 24 INCHES HIGH.
 - SILT FENCE SHALL NOT BE USED FOR CONCENTRATED FLOWS.
 - GEOSYNTHETIC REINFORCED SILT FENCE BACKING MAY BE USED IN LIEU OF WIRE MESH.
 - WIRE MESH WILL BE USED AT LOCATIONS SHOWN ON THE APPROVED SWPPP.



TRAP PLACEMENT AT LOW POINT

TRAP PLACEMENT AT INTERMEDIATE INLET

SILT SOCK (ALTERNATIVE)

DESIGN CRITERIA

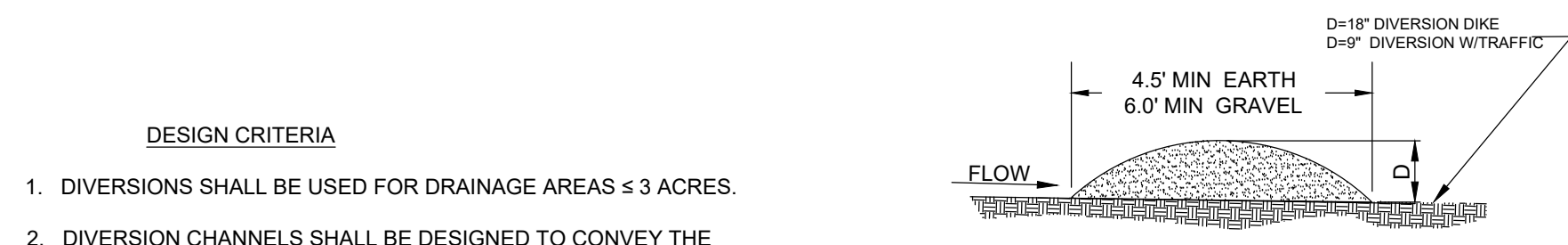
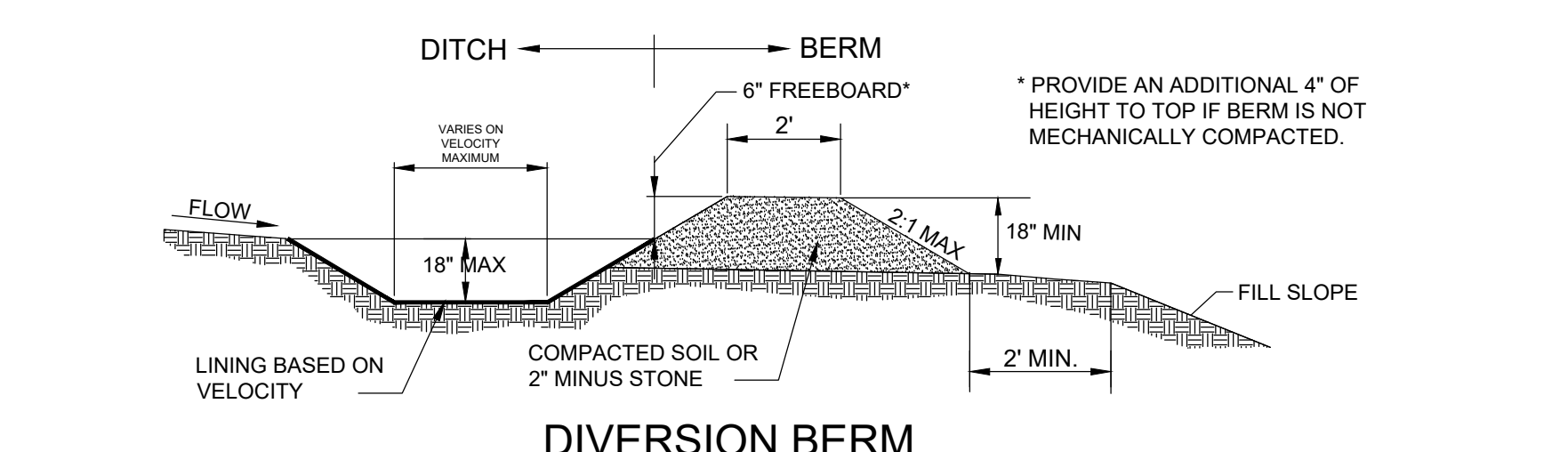
- MAXIMUM DRAINAGE AREA - 1 ACRE.
- PEAK RUNOFF SHALL BE ≤ 2 CFS BASED ON THE 6-MONTH STORM.
- STACK GRAVEL BAGS DOUBLE HIGH. PROVIDE GAP FOR DRAINAGE.

SPACING OF TRAPS

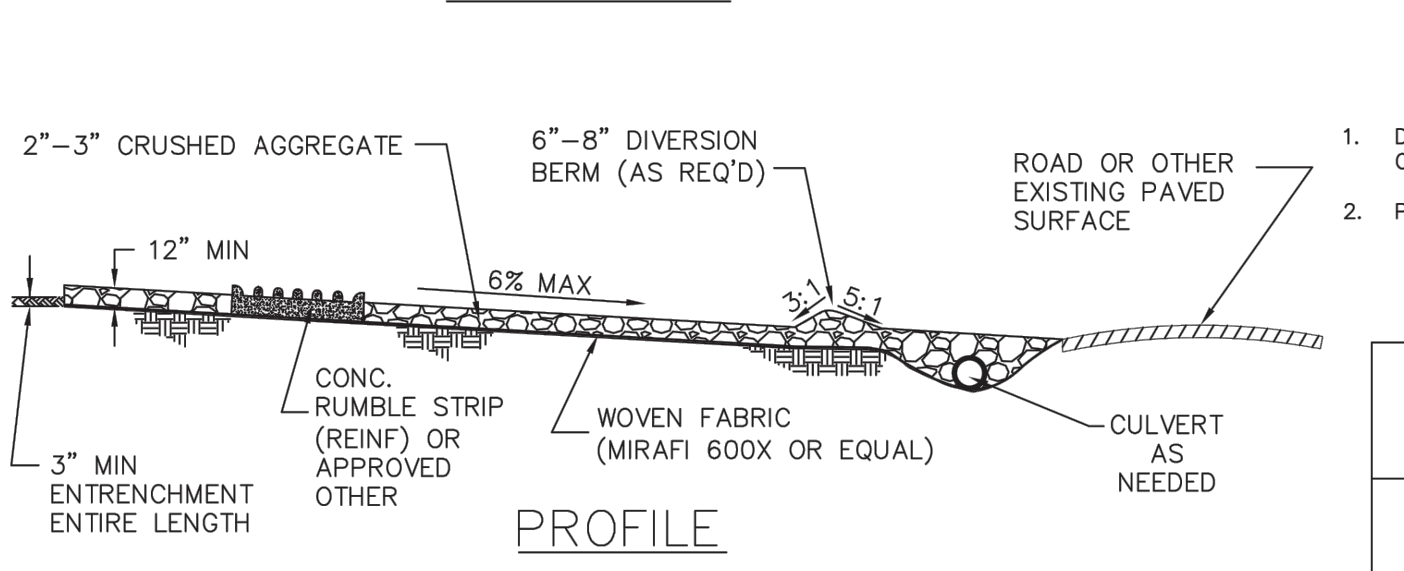
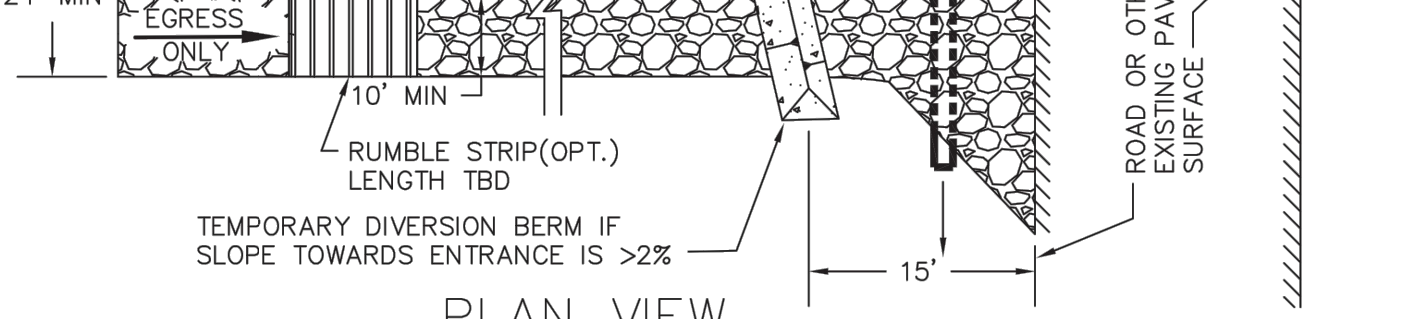
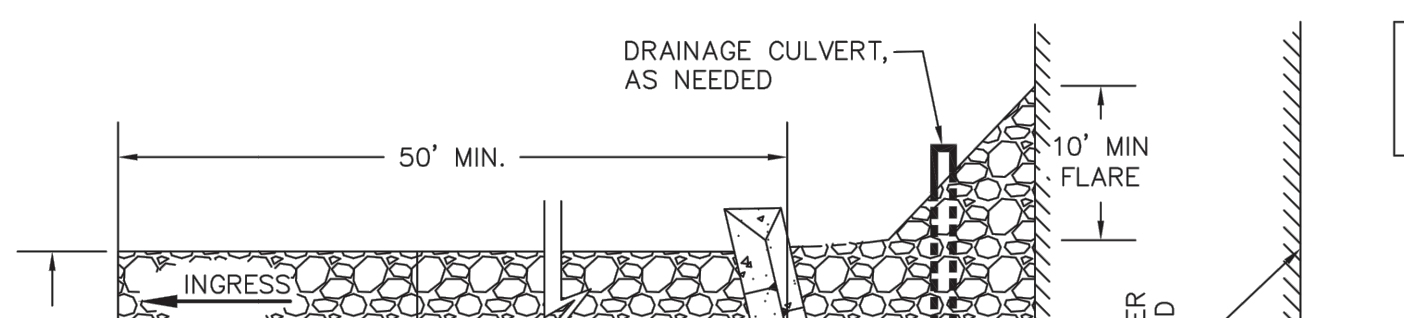
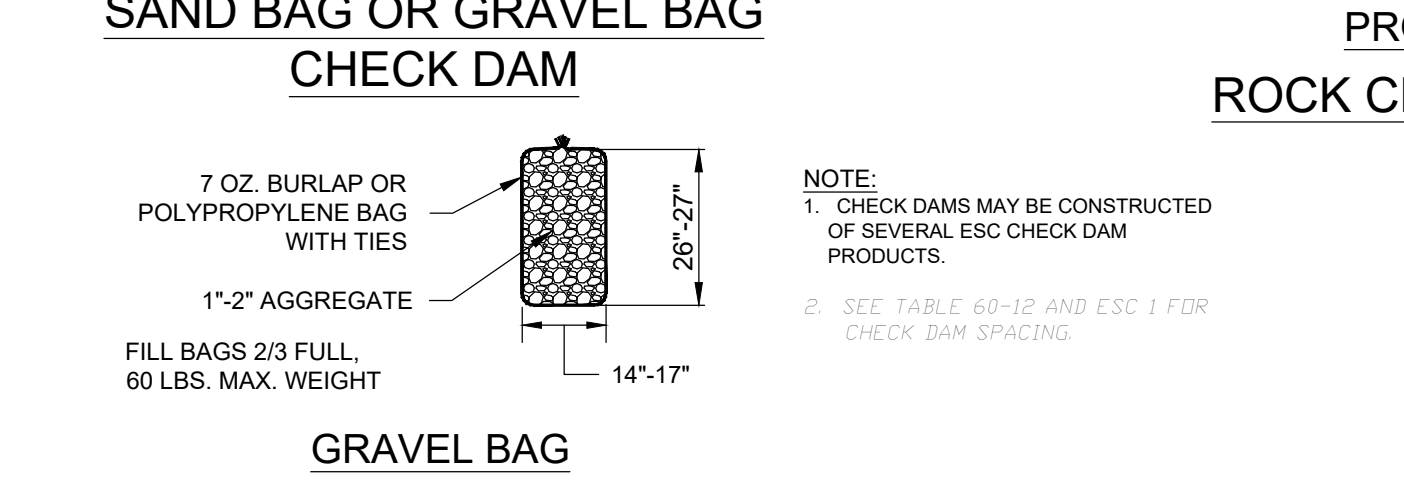
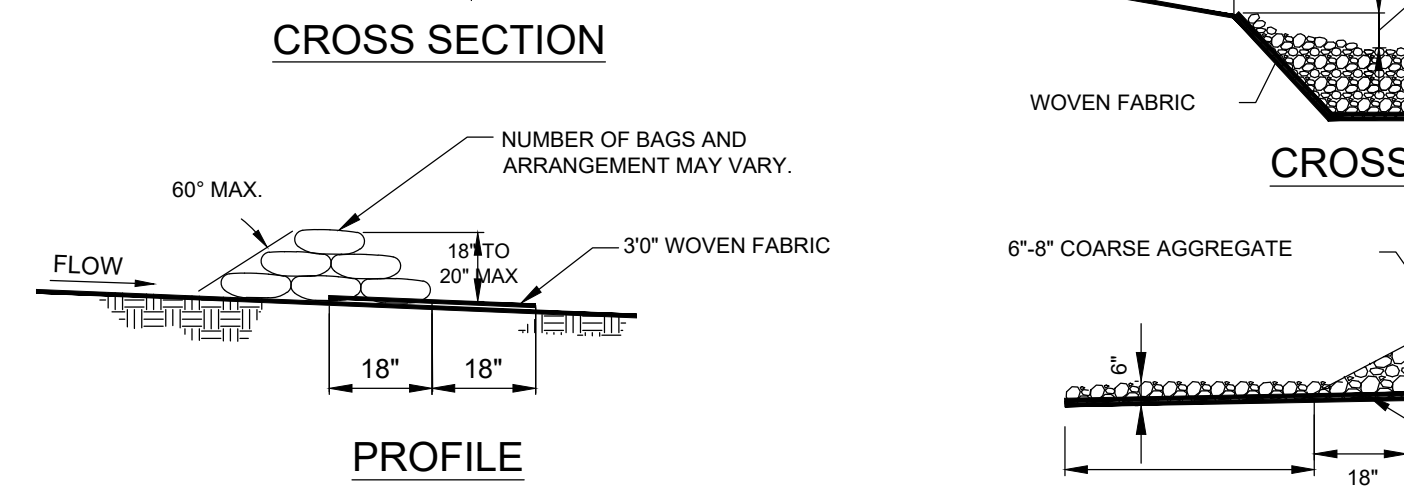
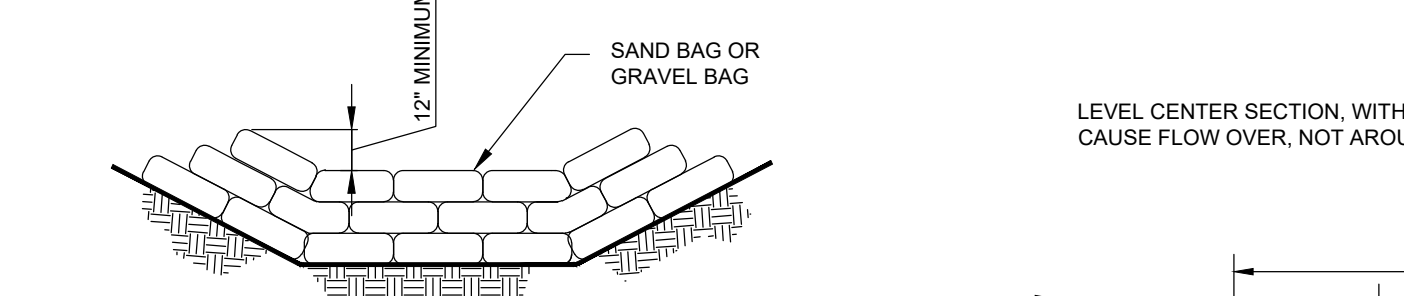
GUTTER SLOPE S	Spacing
1%	20'
2%	15'
3% MAX.	10'

CITY OF O'FALLON
ENGINEERING DEPARTMENT
O'FALLON, MISSOURI

CURB INLET PROTECTION

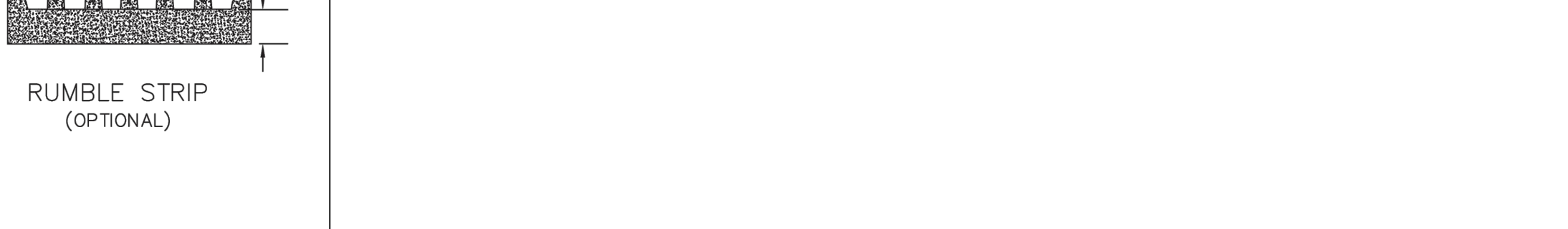
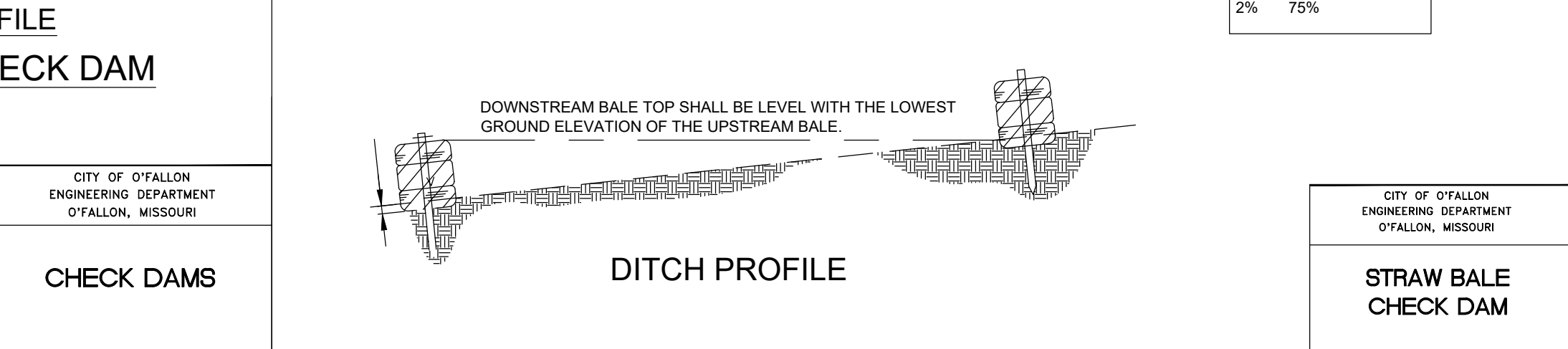
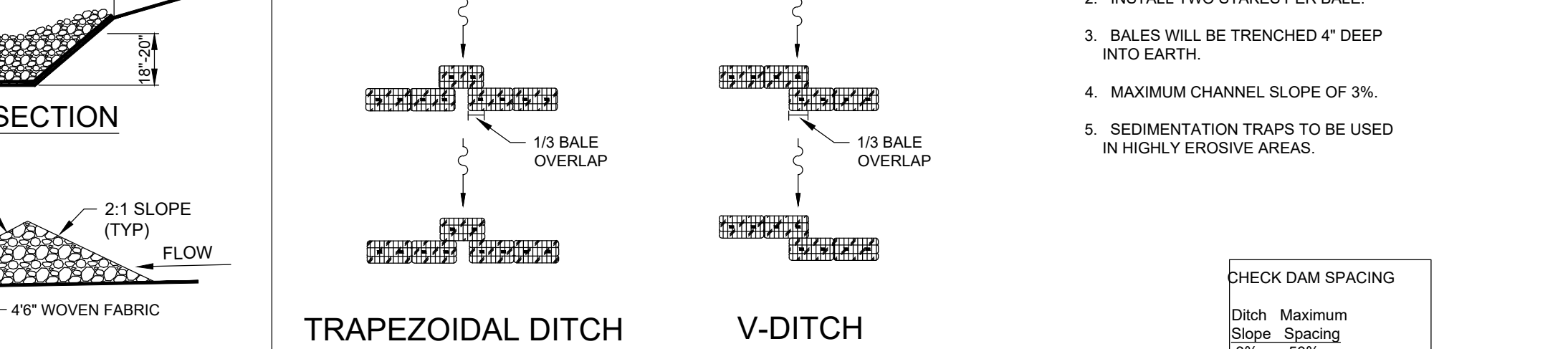
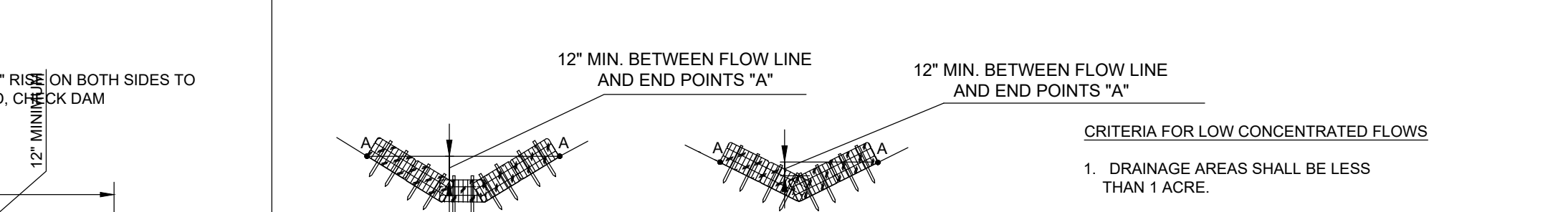


- DESIGN CRITERIA**
- DIVERSIONS SHALL BE USED FOR DRAINAGE AREAS ≤ 3 ACRES.
 - DIVERSION CHANNELS SHALL BE DESIGNED TO CONVEY THE 6-MO STORM AT NON-EROSIVE VELOCITIES.
 - CRITICAL LOCATIONS SHALL BE DESIGNED FOR THE 15YR / 20Min. STORM.
 - MAXIMUM CHANNEL SLOPE OF 3% WITHOUT CHECK DAMS.
 - SWALE SEDIMENT TRAPS ARE TO BE USED IN HIGHLY EROSION AREAS.
 - CHANNELS SHALL BE PROTECTED USING APPROPRIATE CHANNEL LINERS.
 - CHANNEL OUTLETS MUST BE STABILIZED.
 - STORM SEWERS MAY BE USED IN LIEU OF OPEN CHANNELS.
- CITY OF O'FALLON
ENGINEERING DEPARTMENT
O'FALLON, MISSOURI
- DIVERSION BERMS + DIKES**



CITY OF O'FALLON
ENGINEERING DEPARTMENT
O'FALLON, MISSOURI

CHECK DAMS



CITY OF O'FALLON
ENGINEERING DEPARTMENT
O'FALLON, MISSOURI

STRAW BALE CHECK DAM

CRITERIA FOR LOW CONCENTRATED FLOWS

- DRAINAGE AREAS SHALL BE LESS THAN 1 ACRE.
- INSTALL TWO STAKES PER BALE.
- BALES WILL BE TRENCHED 4" DEEP INTO EARTH.
- MAXIMUM CHANNEL SLOPE OF 3%.
- SEDIMENTATION TRAPS TO BE USED IN HIGHLY EROSION AREAS.

CHECK DAM SPACING

Ditch Slope	Maximum Spacing
3%	50'
2%	75'

DESIGN NOTES

- DIVERT ALL RUNOFF TO A SEDIMENTATION CONTROL DEVICE.
- PROVIDE WATER SUPPLY FOR WASHDOWN.

St. Charles County Erosion & Sediment Controls Standard Drawings

CONSTRUCTION TRAFFIC WASH-OFF PAD

DATE: APRIL 2008 DRAWING: ESC-4

2018 STORM WATER
IMPROVEMENT PROJECT
SUNDANCE DRIVE

HORNER SHIFRIN

101 LAURA K DRIVE, STE. 101 O'FALLON, MO 63366-3991
636-329-6226 • FAX 636-329-2910 • WWW.HORNERSHIFRIN.COM
REGISTERED PROFESSIONAL ENGINEERING FIRM
CERTIFICATE OF AUTHORITY 0001659
EXPIRATION DATE: DECEMBER 31, 2018



10/17/18

CITY OF O'FALLON
100 N. MAIN ST.
O'FALLON, MO 63366

P+Z No.
Approval Date
City No.

Page No.

C6.1

DETAILS

DWG: C:\projects\harrison\esc\esc235\0\Details.dwg
 T:\esc\esc.dwg
 PLOT DATE: 10/17/2018 1:22:48 PM
 SAVE DATE: 10/17/2018 9:55:43 AM
 OPERATOR: AMHARRISON