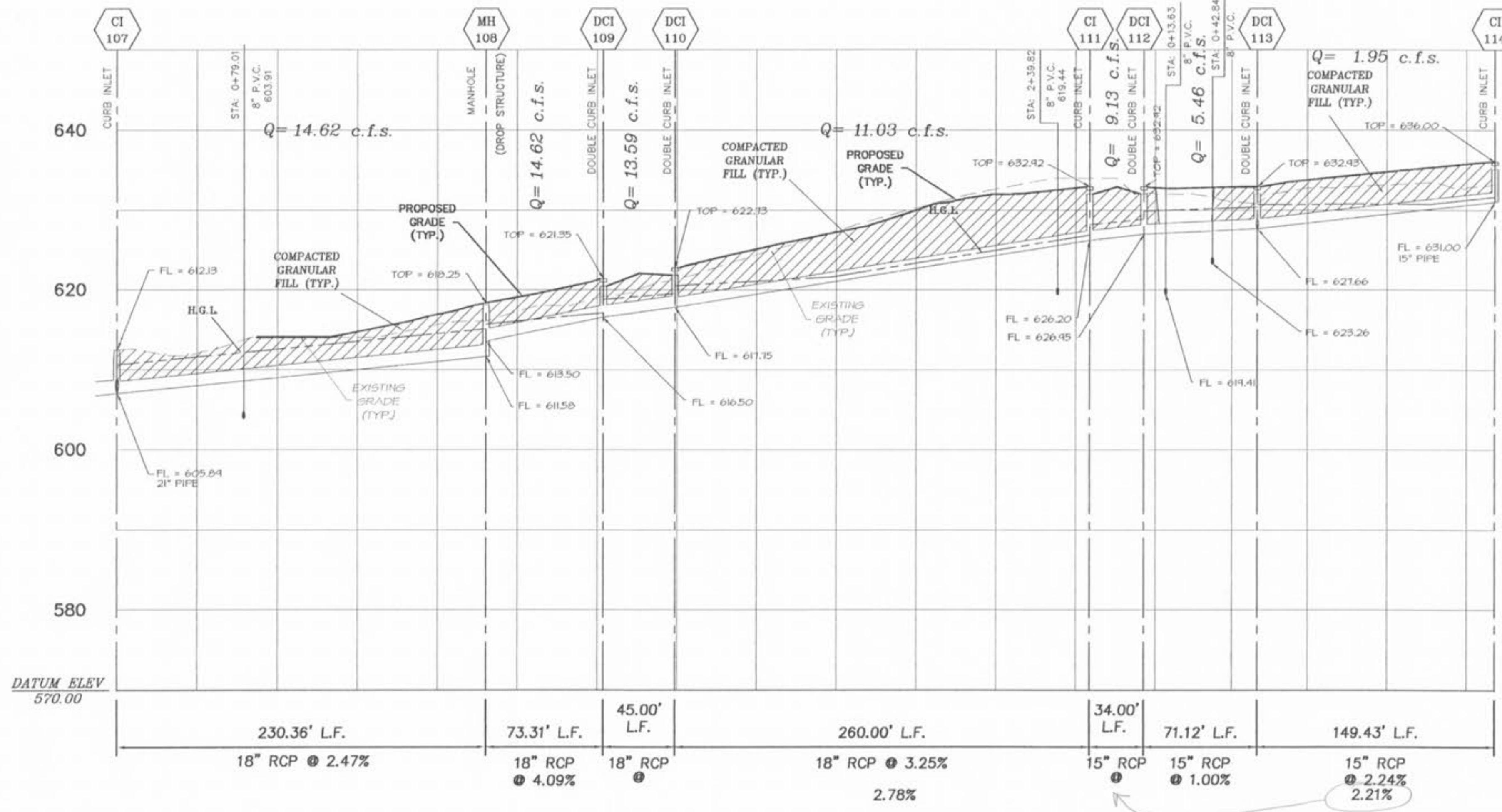
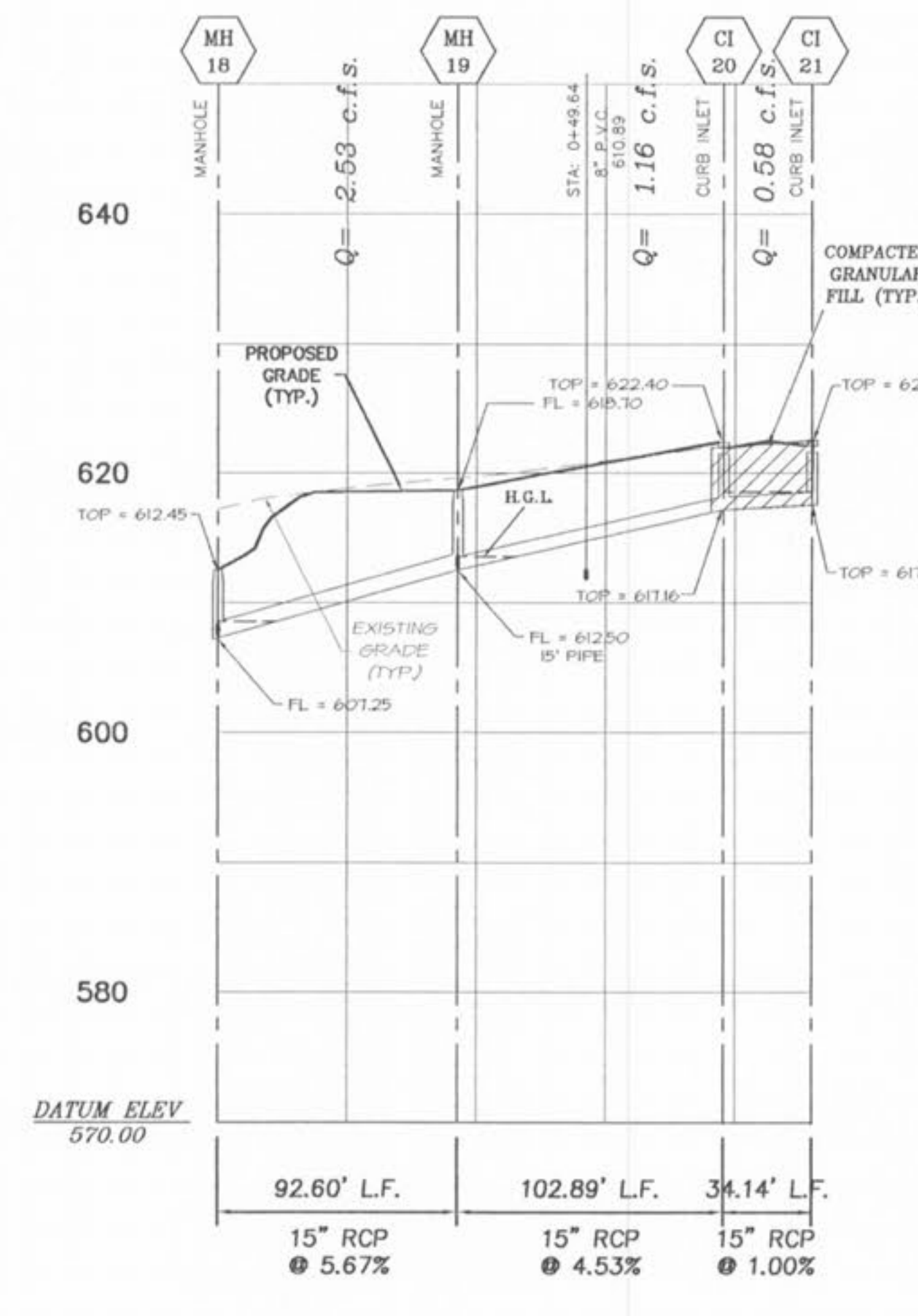


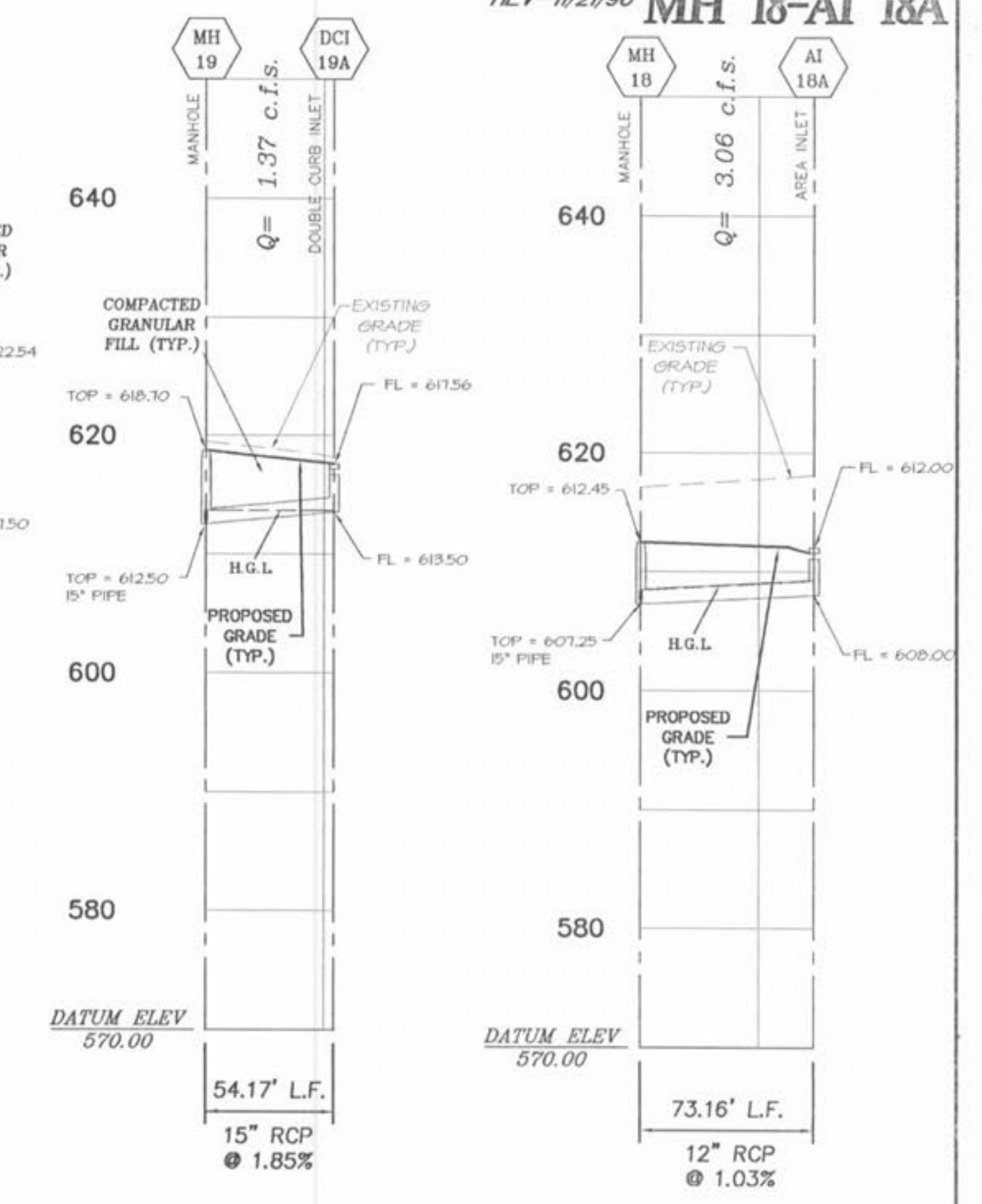
CI 114-CI 107



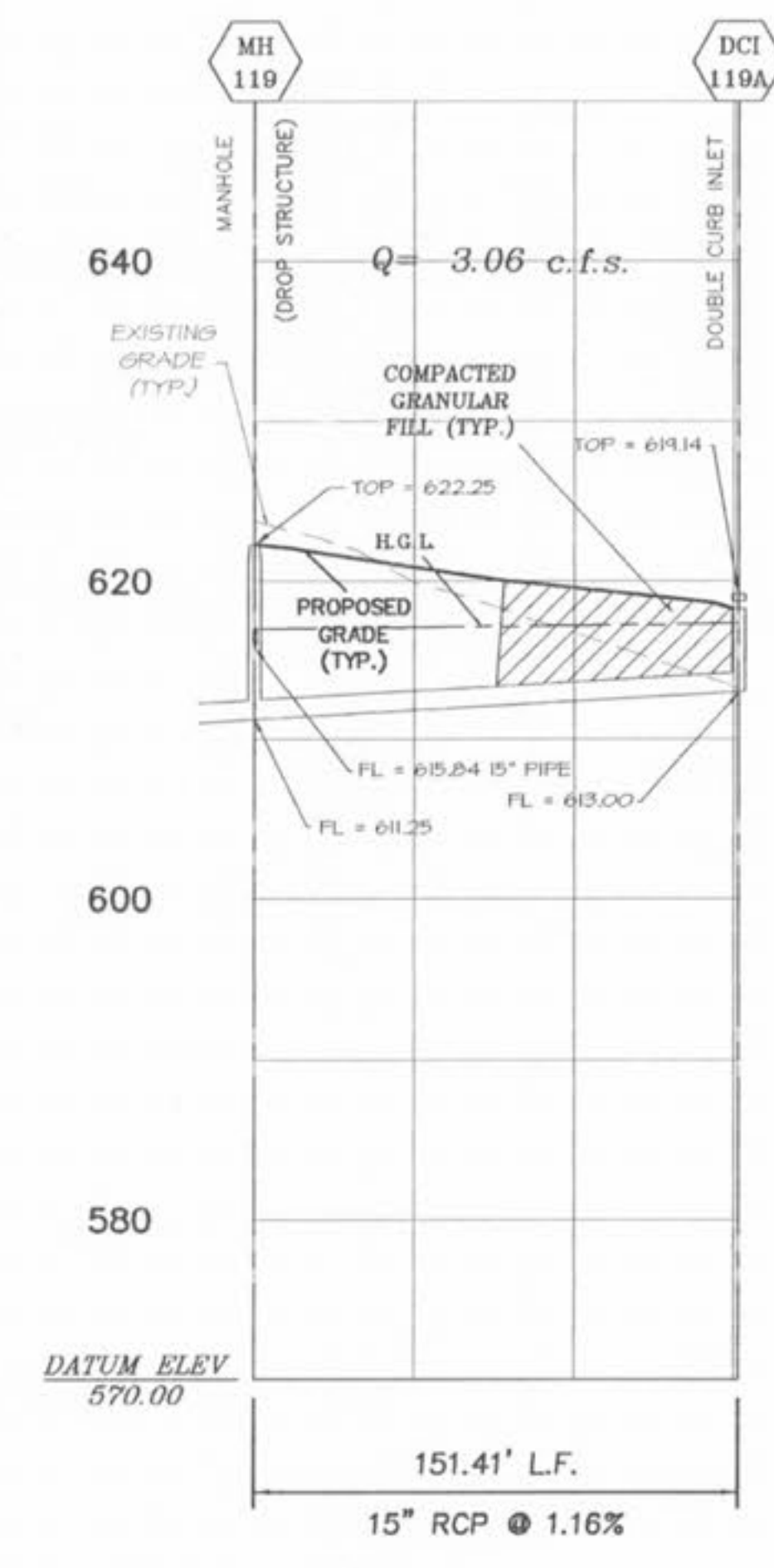
MH 18-CI 21



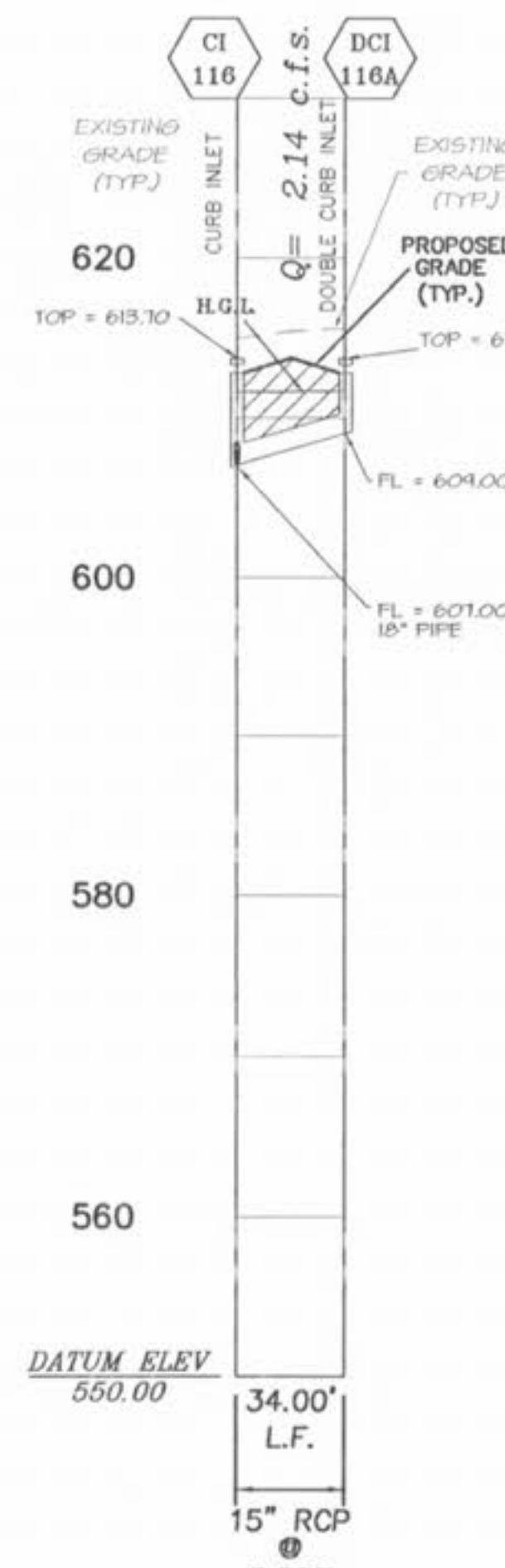
MH 19-DCI 19A



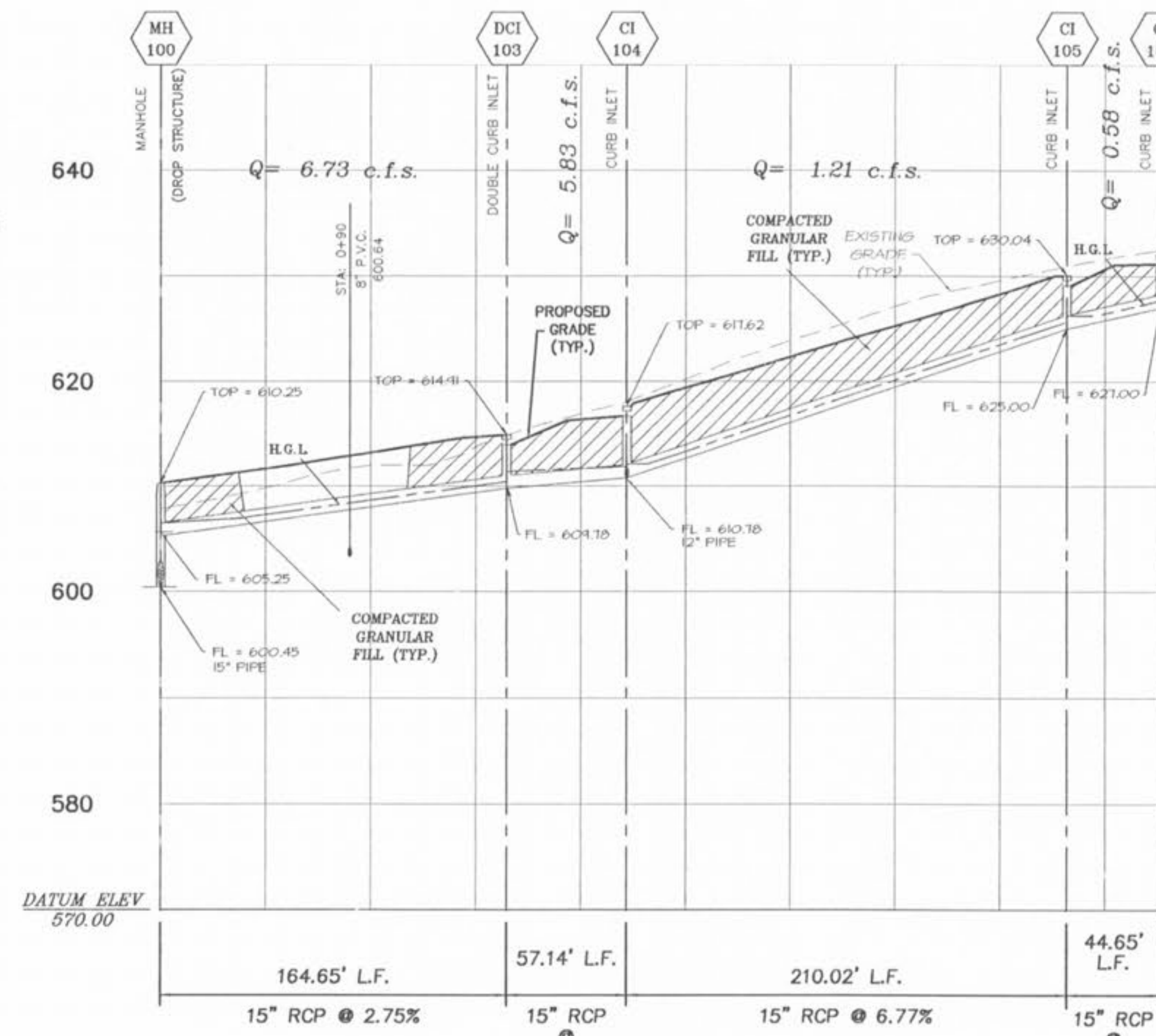
MH 119-DCI 119A



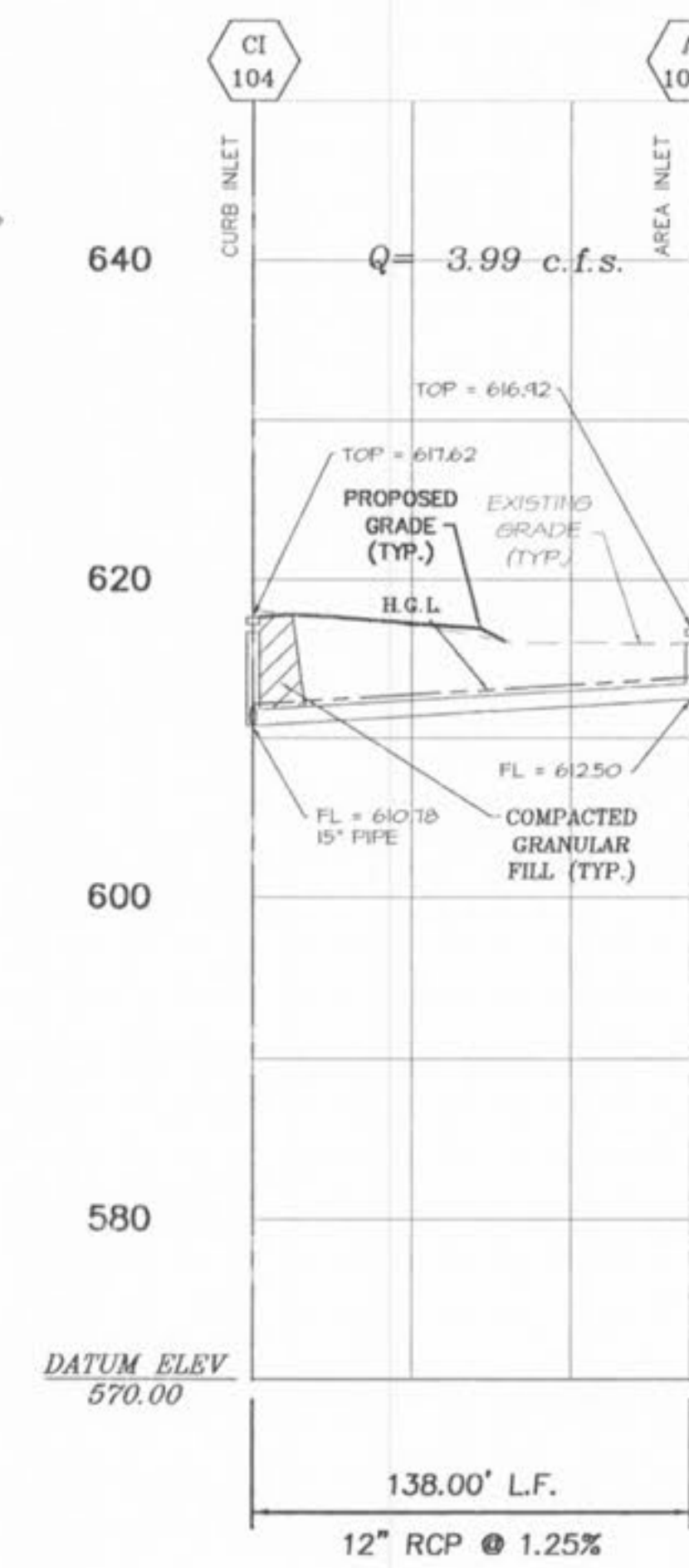
CI 116-CI 116A



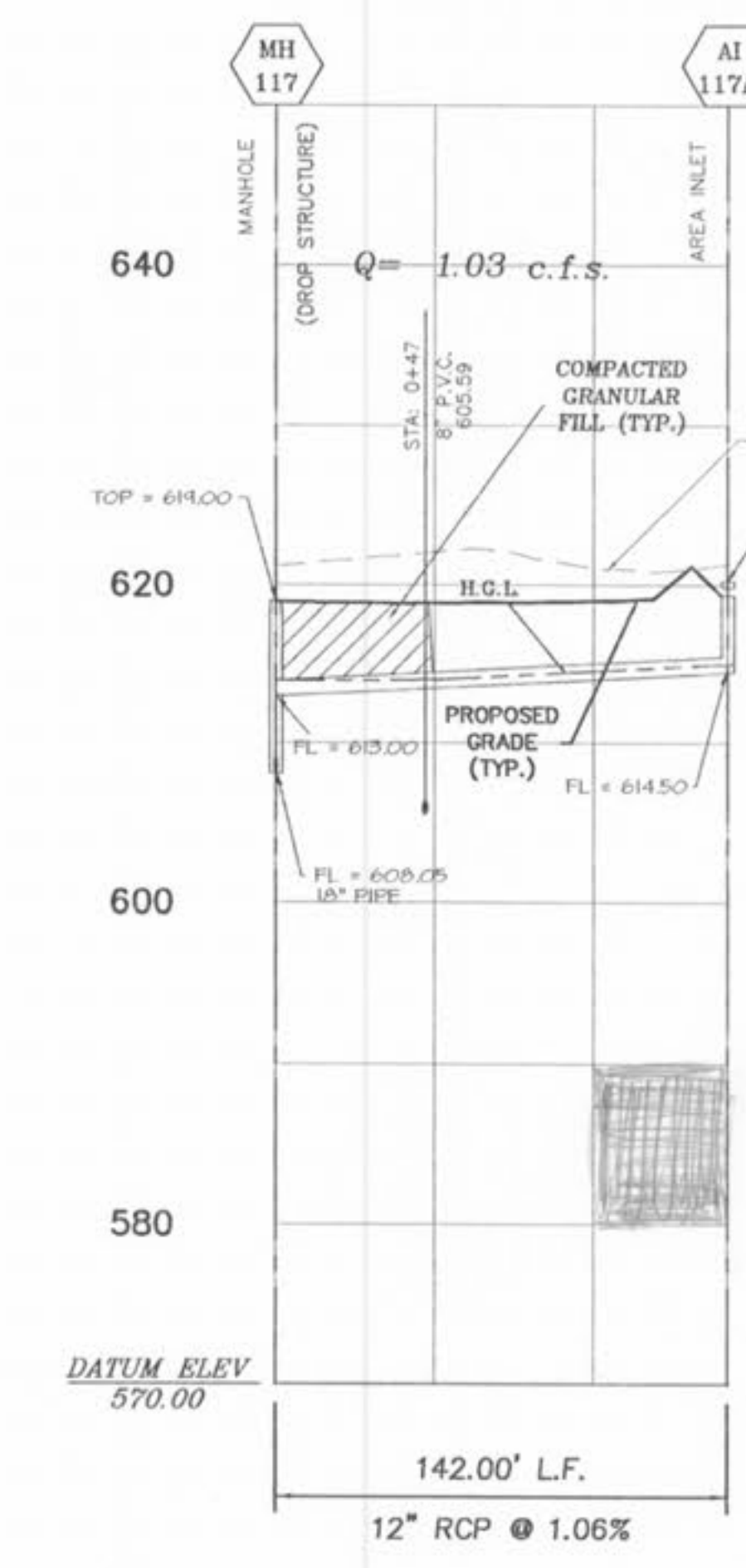
MH 100-CI 106



CI 104-AI 104A



MH 117-AI 117A



1" = 10'  
1" = 50'

The underground utilities shown herein were plotted from available information and do not necessarily reflect the actual existence, maintenance, size, type, number, or location of these or other utilities. The general contractor shall be responsible for verifying the actual location of all underground utilities, shown or not shown, and shall verify that all utilities are located in the field prior to any grading, excavation or construction of improvements. These provisions shall in no way absolve any party from complying with the Underground Facility Safety and Damage Prevention Act, Chapter 308, Z.M.S.

H.G.L. = HYDRAULIC GRADE LINE  
NOTE: ALL SEWER PIPE TO BE CLASS III REINFORCED CONCRETE PIPE, UNLESS OTHERWISE SPECIFIED ON PLANS.

